



Guide: Removing VMD202 Probe Harness for New Remote w/ Terminals

This guide will cover the process of connecting an old VMD202 probe with cable harness to a newer VMD202 remote that has screw terminals.

Required Tools: Wire strippers, small flat-head screwdriver

STEP 1: Determine if You Have the Old or New Style Probe

- Old style probes can be identified by looking at the end of the cable to see if a harness is attached. New style probes will not have a harness. See image below for a comparison of both probe styles. Step 2 can be skipped if the probe is the new style.

Old Style Probe Connection (with Harness)



If using an old style probe,
proceed to **STEP 2**

New Style Probe Connection (no Harness)



If using a new style probe,
proceed to **STEP 3**

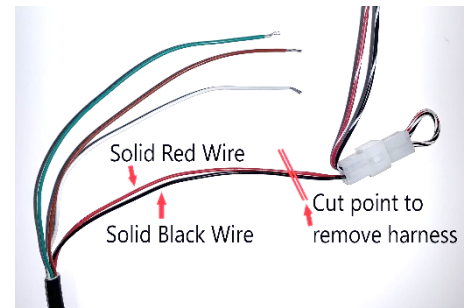
STEP 2: Removing the Connector on Old Style Probes

- **Only follow the steps in this guide if you have a new VMD202 remote (with screw terminals) and an old VMD202 probe (with wiring harness).** Modifying the VMD202 probe cable as described in this guide will make it incompatible with old VMD202 remotes that also have a cable harness.

- Cut the **solid black and solid red wire** from the VMD202 probe harness as shown in the image to the right. This allows the probe wires to be connected directly to the remote.

The harness is no longer needed and can be thrown away.

- Cut and strip the cable jacket enough for wires to reach both the remote and the operator's input terminals.



Harness Cut Point

TIP: Leave more cable than is needed until the probe's install location is finalized.

STEP 3: Wiring to Remote and Operator

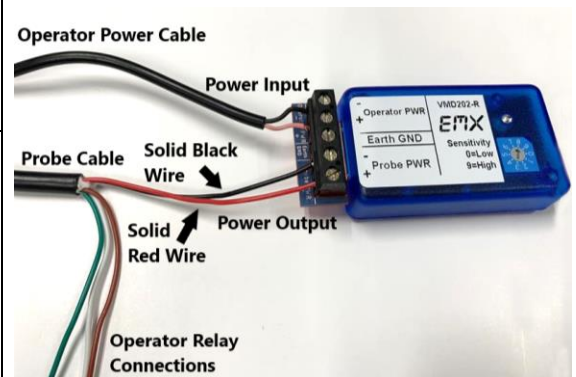
- Wire the **Red (Probe PWR +)** and **Black (Probe PWR -)** wires from the probe cable into the two remote screw terminals labeled "**Probe PWR**".

- Wire the probe relay wires (**Green=COM, White=NC, Brown=NO**) to the operator input terminals. See the operator's manual for wiring instructions.

- Wire power (12-39 VDC / 12-27 VAC) from the operator into the remote terminals labeled "**Operator PWR**". Ensure power is wired in with the correct polarity. **Incorrect wiring can cause permanent damage to the remote.** The operator power cable is not provided with the VMD202 system.

- If the remote is going to permanently be part of the installation, connect an earth ground to the remote terminal labeled "**Earth GND**".

- The image to the right shows how the final wiring should look. If you intend to use the VMD202 without the remote, use the table below for connections to the probe cable.



Final Wiring to the VMD202 Remote

Probe Connections

Wire Color	Description
Red	Power + (12-39 VDC or 12-27 VAC)
Black	Power - (12-39 VDC or 12-27 VAC)
Green	Relay - COM (common contact)
White	Relay - NC (normally closed contact)
Brown	Relay - NO (normally open contact)