

Covert PIR Cameras

(Non-functioning PIR)

EV-6680-N3WQ Motion-activated LED
EV-6681-N3WQ Invisible 940nm IR LEDs

Features:

- Camera is covertly hidden in a non-functioning PIR sensor housing
- 3.7mm Lens
- 700 TV Lines
- 960H High resolution
- OSD (On-Screen Display) for programming special features such as 2D-NR and DWDR
- DWDR (Digital Wide Dynamic Range) for clear images in strong backlight
- 2D-NR (2D Digital Noise Reduction) for clear images in low light

EV-6680-N3WQ Only:

- 1/3" Sony Super HAD II
- Motion-activated LED to simulate a real PIR sensor

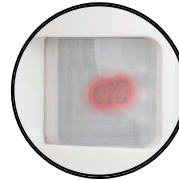
EV-6681-N3WQ Only:

- 1/3" Sony EXview HAD II
- 18 Invisible 940nm IR LEDs

Specifications:

	EV-6680-N3WQ	EV-6681-N3WQ
Type	Covert PIR Camera	
CCD	1/3" Sony Super HAD II	1/3" Sony EXview HAD II
Resolution	700 TV Lines	
Video output format	NTSC	
Effective pixels	976x494 pixels	
DNR (2D-NR)	Yes	
DWDR	Yes	
OSD Control	Yes	
960H*	Yes	
Video output	1.0Vp-p Composite video, 75Ω	
Lens	3.7mm	
# of IR LEDs	N/A	18 (940nm)
IR Range	N/A	50ft (15m)
Minimum illumination	LEDs OFF	0.1 Lux
	LEDs ON	0 Lux
Gamma correction	0.45	
S/N Ratio	>48dB	
Operating voltage	12VDC	
Current draw	LEDs OFF	70mA
	LEDs ON	N/A
		230mA
Operating temperature	14°-122° F (-10°-50° C)	
Dimensions	4 1/8" x 2 3/8" x 1 3/8" (105x60x35 mm)	
Weight	3.9-oz (110g)	

*In order to take full advantage of 960H resolution, the camera must be used with a 960H DVR.

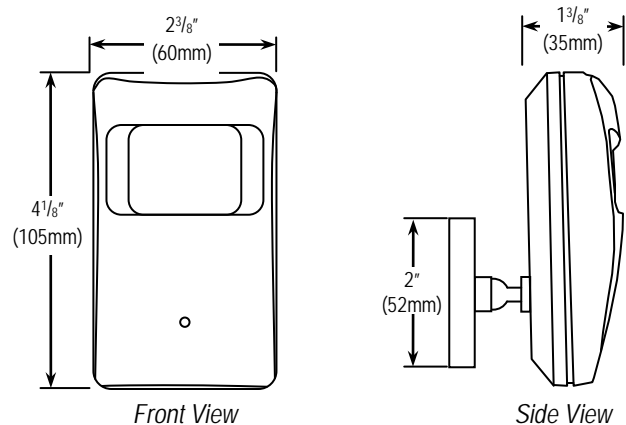


EV-6680-N3WQ
Motion-activated LED
 is programmable from the OSD menu, simulating a real PIR sensor.



EV-6681-N3WQ
Invisible 940nm IR LEDs
 provide infrared light for the camera to view at night, but are invisible to the human eye.

Dimensions:



SECO-LARM® U.S.A., Inc.

16842 Millikan Avenue, Irvine, CA 92606

Phone: (949) 261-2999 | (800) 662-0800 Fax: (949) 261-7326

Website: www.seco-larm.com Email: sales@seco-larm.com



Copyright 2014 © SECO-LARM U.S.A., Inc. All rights reserved.
 The SECO-LARM policy is one of continual development. For that reason, SECO-LARM reserves the right to change prices and specifications without notice. SECO-LARM is not responsible for misprints.

SECO-LARM® ENFORCER® CRIMEBUSTER® CBA SLI®

piEV-668x-N3WQ_1403_b.docx