



DITEK Corporation  
ONE DITEK CENTER  
1720 Starkey Road  
Largo, FL 33771

# INSTALL INSTRUCTIONS

## DTK-MRJ45C5e / DTK-MRJPOE

This Surge Protection Device (SPD) is a high performance device, designed to provide protection for sensitive electronic loads connected to service panels, fire panels, or where the SPD is directly connected to the electronic device. Maximum protection will only be achieved if the SPD is properly installed.

Please read and follow the installation instructions carefully.

**NOTICE:** This SPD should be installed by a qualified electrician in accordance with the National and Local Electrical Codes and the following instructions.

### APPLICATION

Surge suppression for circuits using CAT 5e cable and RJ45 connectors.

### INSTRUCTIONS:

**Caution:** Measure all voltages to insure applied voltage does not exceed the voltage rating of the unit. Improper installation voids the warranty.

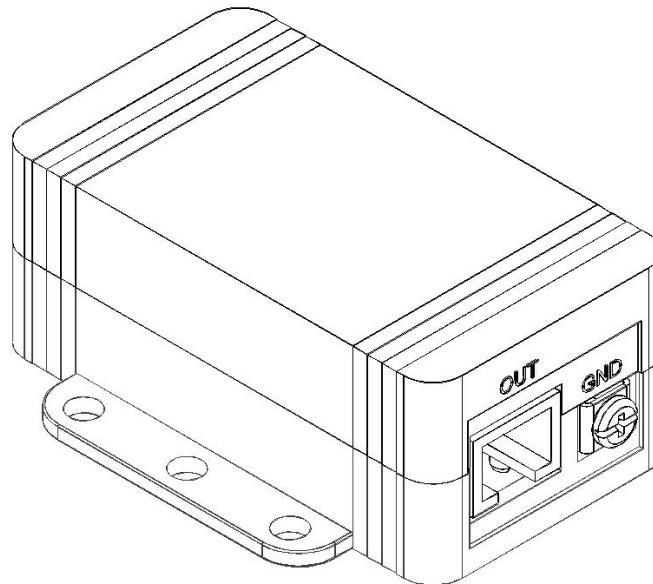
This unit must be connected in series with the equipment to be protected.

1. Connect the incoming wires to the "IN" connector.
2. Connect a CAT 5e patch cable from the "OUT" to the equipment to be protected.
3. Use one common ground per system to eliminate the possibility of a differential in ground potentials.

**Ground Resistance Rule:** Max ground resistance is 25 ohms, 5 ohms or less is optimum.

This cannot be an assumed value and must be measured to assure proper grounding.

4. For mounting, use double sided tape, or two (2) #8 screws.



INSTALLATION