



DITEK Corporation
ONE DITEK CENTER
1720 Starkey Road
Largo, FL 33771

INSTALL INSTRUCTIONS

DTK-2LVLP-F

This Surge Protection Device (SPD) is a high performance device, designed to provide protection for sensitive electronic loads connected to service panels, fire panels, or where the SPD is directly connected to the electronic device. Maximum protection will only be achieved if the SPD is properly installed.

Please read and follow the installation instructions carefully.

NOTICE: This SPD should be installed by a qualified electrician in accordance with the National and Local Electrical Codes and the following instructions.

APPLICATION

Surge suppression for 24 VAC circuits with 200mA of current (Max).

INSTRUCTIONS:

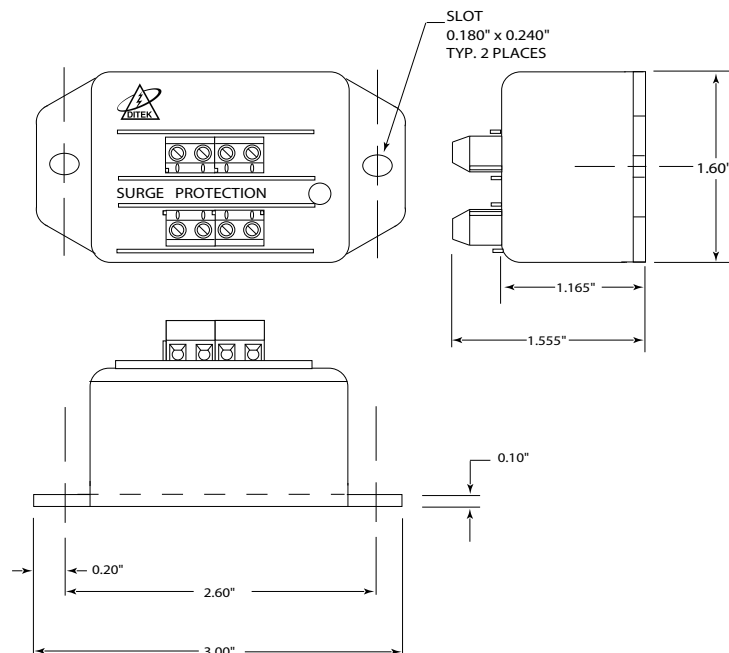
Caution: Measure all voltages to insure applied voltage does not exceed the voltage rating of the unit. Improper installation voids the warranty.

This unit must be connected in series with the equipment to be connected.

1. Securely mount the base close to the circuit being protected using the double sided tape (supplied) or two #8 screws (not supplied).
2. Connect the incoming wires to the "IN" connectors.
3. Connect the equipment wires to the "OUTPUT" connectors.

Always have one common ground per system to eliminate the possibility of a differential in ground potentials.

Ground Resistance Rule: Max ground resistance is 25 ohms, 5 ohms or less is optimum. This cannot be an assumed value and must be measured to assure proper grounding.



DITEK Technical Support Available 24/7

1-888-472-6100

www.ditekcorp.com

Drawn By: J.Ramirez 7-27-07
Approved By: R. Mitchell 7-27-07

Doc # INT-100104-001
Part No. 191448 Rev. 1
ECO: 1397

INSTALLATION