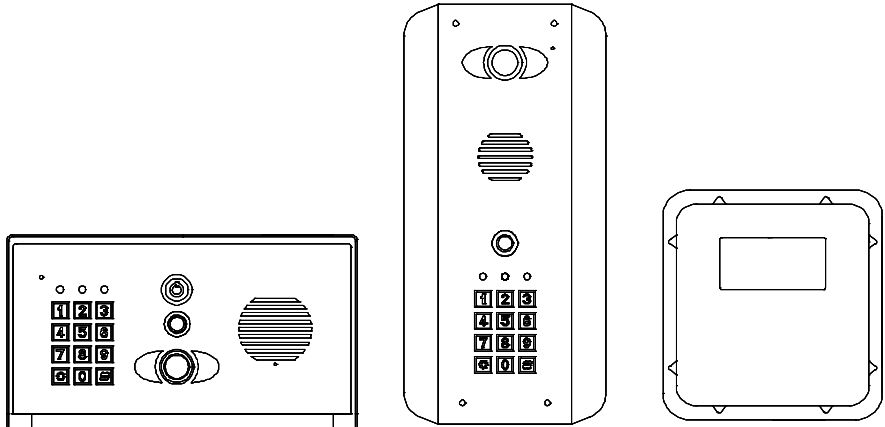


Installation Instructions

For
CELLVID 4G (PRO 2)

PROFESSIONAL INSTALL ONLY



Manual Version 1

The manufacturer cannot legally offer technical support to non-qualified gate or door installers. End users should employ the services of a professional install company to commission or support this product!



Tip: Site Survey BEFORE you begin. See Page 3!



WARNING

Do not power from the gate controller. Only use the provided UL power supply, otherwise damage may occur and warranty may be void.



Index

Section	Pages
Site Survey	3
WiFi Setup	4-8
Answering on Android	9
Answering on Apple	10
LAN setup	11
Installation	12
Power	13
Intercom Module Wiring	13
Keypad Module Wiring	14
Output Connections Example	14
Adding Additional APP Users	15
Other Settings	16
Sounds, Volume & Speech	17
Using the APP	18
Keypad Programming	19
Using the Keypad	21
Troubleshooting	21
Revision Changes	23

Site Survey



YES!

I have 4G signal at the gate with my phone! If not, STOP. You will need some! Try a different network provider.



YES!

I have at least 1 Mb UPLOAD speed. If not STOP! This system may operate intermittently remotely or have delayed PUSH notifications.

Wifi Setup

Step 1



Do not install the intercom. Power it up with your 4G modem so that you can perform the configuration with the home owners phone beside the intercom.

Note: If you skip this step and proceed directly to installation, technical support may request you go back and perform this

Step 2

Download and install the app on the end-user's phone.

Search for **wifi PRO 2** and find the icon, or scan the QR code if the phone has a QR scan app.

Tip: Be sure to accept ALL permissions during install, otherwise you will experience problems later!



Step 3

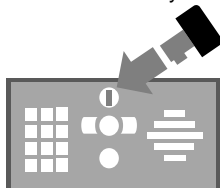
Open the intercom and connect antenna.

Loosen top screws



Portrait wall mount style

Use Key on lock



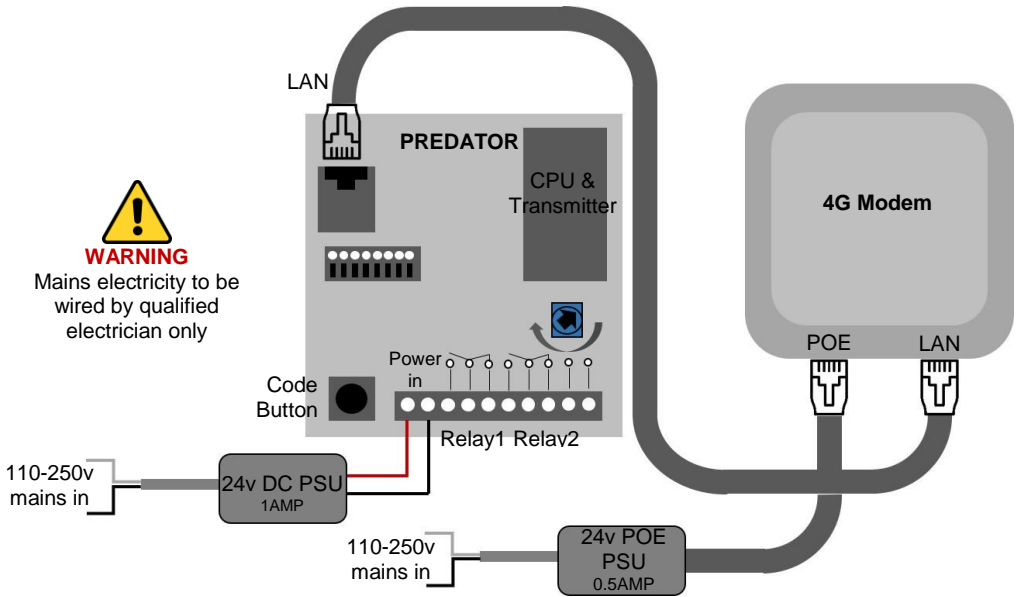
Landscape Pedestal Style

Architectural or "Portrait" oriented models will have security screws at the top. Loosen only these with the security screwdriver provided.

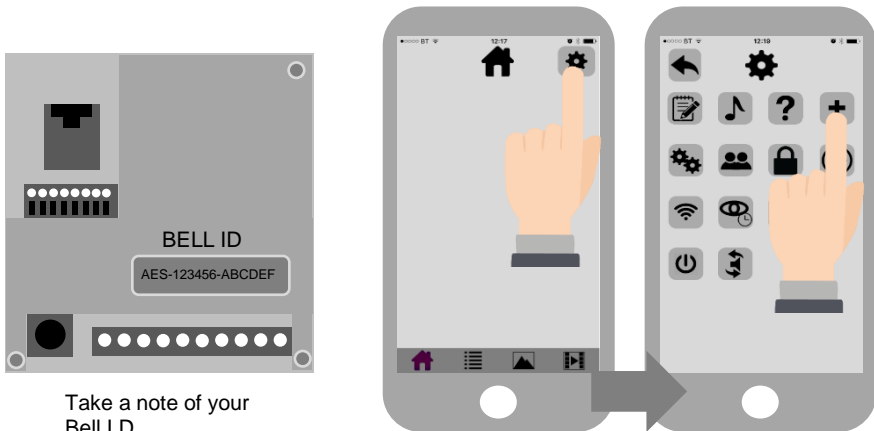
Pedestal style "Landscape" orientated units will have a locking key.

Step 4

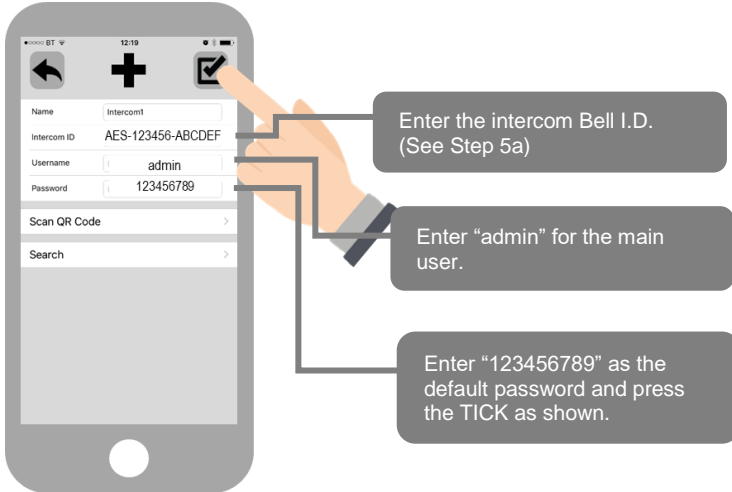
Connect 24v 1amp DC power supply to the Predator power in terminals.
Connect the 24v DC POE 0.5amp power supply to the 4G modem as shown.
Wire a patch lead from the LAN port on 4G modem to LAN the port on the predator.



Step 5a, 5b, 5c



Step 5d, 5e



Step 6



Diagnostic Tips

1. Intercom is showing online status, but the video feed shows "fetching".

A. This can be caused by poor power cable extended to the intercom or weak 4G.

2. Intercom is not showing online status.

A. This can be caused by weak 4G, dropping in and out due to weak signal.

3. I can see video but there is no audio on the phone or there is no audio at the intercom.

A: This can be caused by the audio settings being too low on the phone, or permissions for the app were not accepted during app install. Check microphone permissions for the app in the phone settings.

4. The status is showing online, then connecting, then online again.

A: This is normal when a phone roams between two wifi connections, or between wifi and data. Make sure the phone is stationary and either has good wifi or a stable data connection

Step 7 - Press the call button.



The intercom will send a notification message via Google™ PUSH notification service through the internet to the phone. The notification will need to be accepted, the phone unlocked, and then the APP will launch to reveal the visitor and give the user an opportunity to either accept or reject the call..

Answering on Android



Swipe down your notification banner when called, and press the Intercom notification.

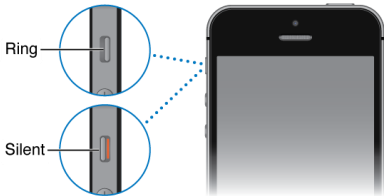
Your phone will now launch the app and you will see a snapshot of the visitor at which point you can answer or decline the call.

Press the green icon to accept.

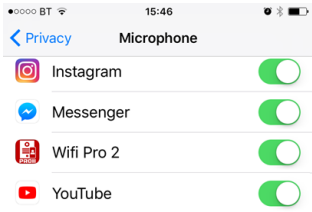
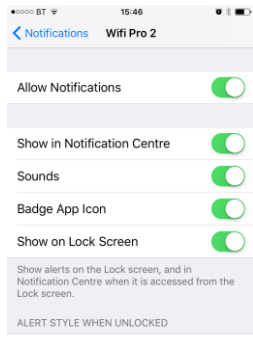
Answering on Apple



Note: Various versions of IOS and Android OS will have different notification acceptance techniques. Please refer to online support for your device if needed.



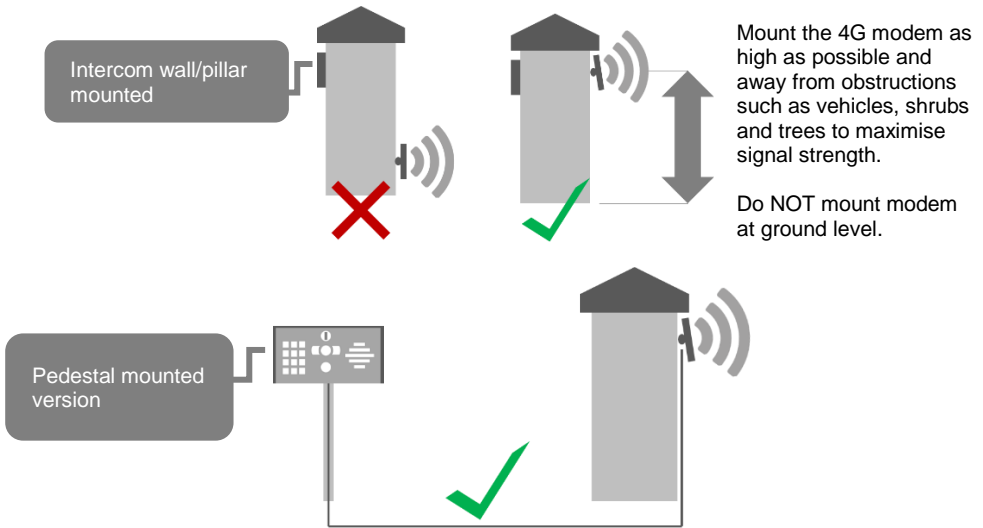
TIP: Make sure ringer switch is ON and volume is turned up.



TIP: If there is no voice from the speaker at the gate, check the iphone microphone permissions in Settings/privacy/microphone

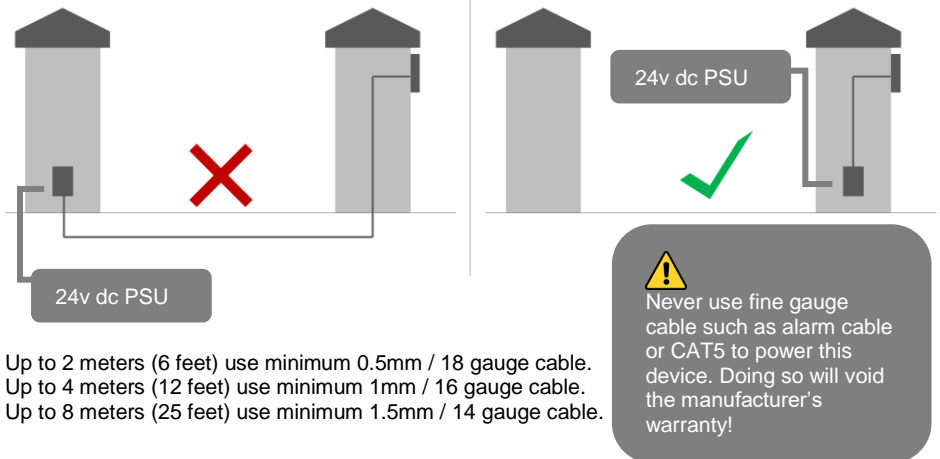
TIP: If you don't get notifications then check settings/notifications and select the app.

Installation

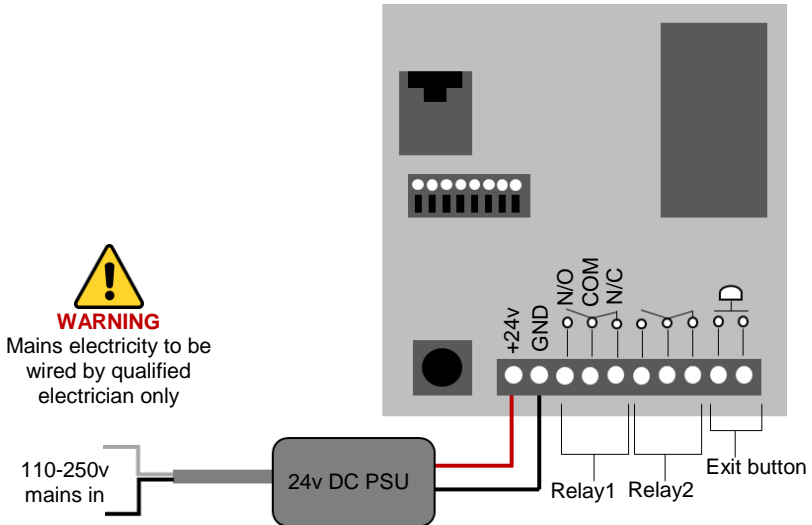


Power

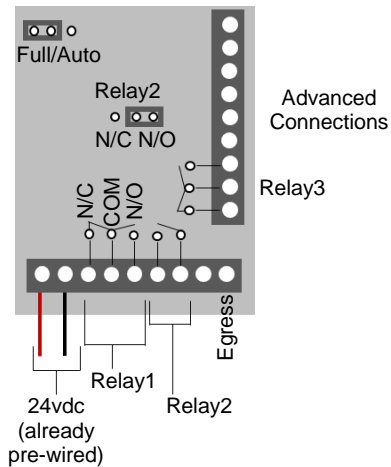
This intercom comes with a 24v dc power supply. The intercom requires up to 2 amps peak demand at times, therefore power cable is of extreme importance. It is preferred the 24v dc PSU is installed within close proximity of the intercom. However, on occasion this may be difficult to achieve. Please adhere to the cable thickness guide below or the device may be damaged and rendered out of warranty by the manufacturer.



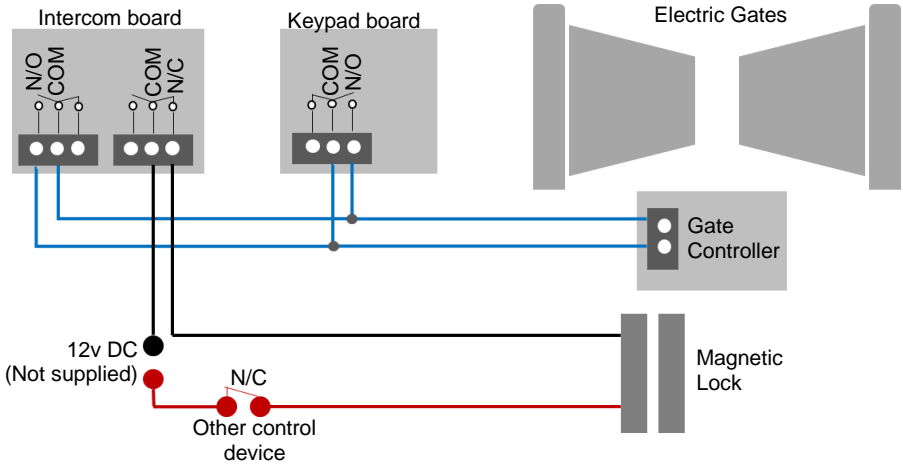
Intercom Module Wiring



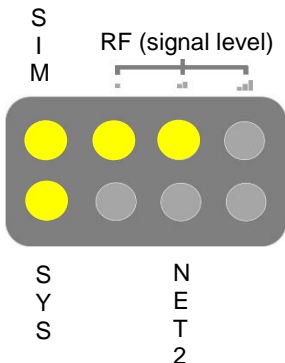
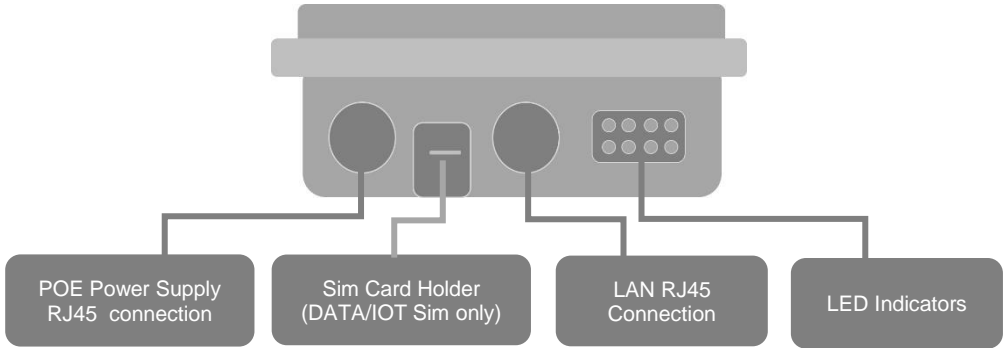
Keypad Module Wiring



Output Connections Example



Modem Connections



SIM – The sim LED will come on if there is a sim inserted.

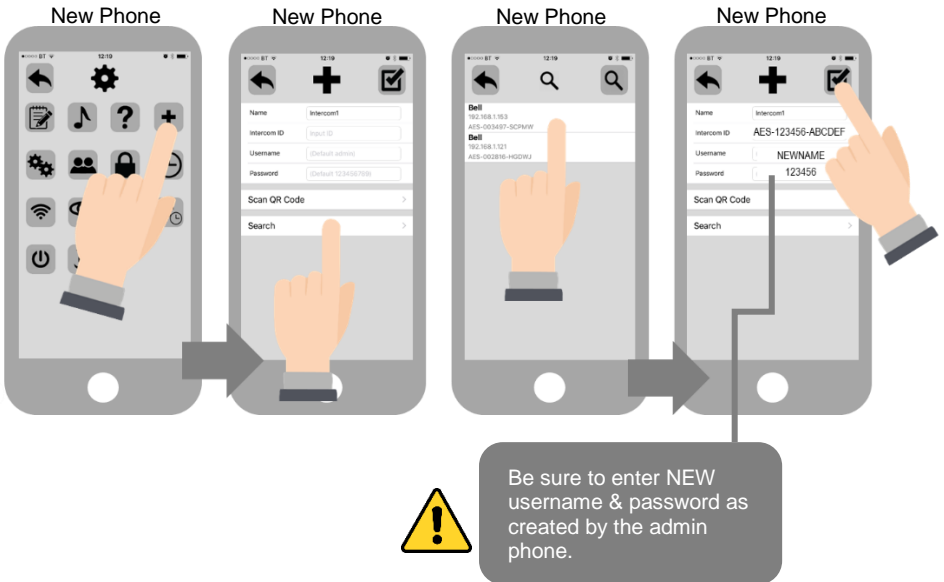
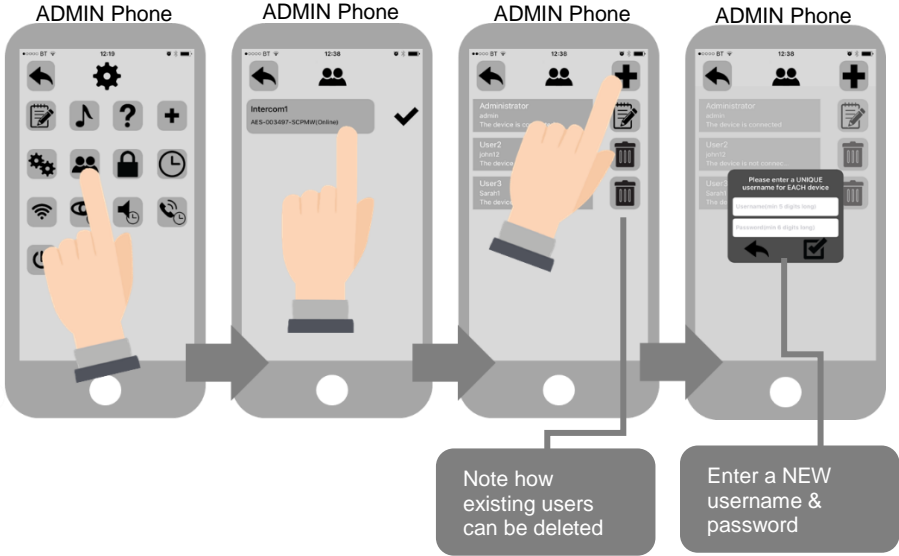
- RF** –
- The first LED will flash if you have **low** 3G signal. The first LED will stay solid if you have **low** 4G signal.
 - The second LED will flash if you have **medium** 3G signal. The second LED will stay solid if you have **medium** 4G signal.
 - The third LED will flash if you have **high** 3G signal. The third LED will stay solid if you have **high** 4G signal.

SYS – The system LED will flash when active, solid when inactive.

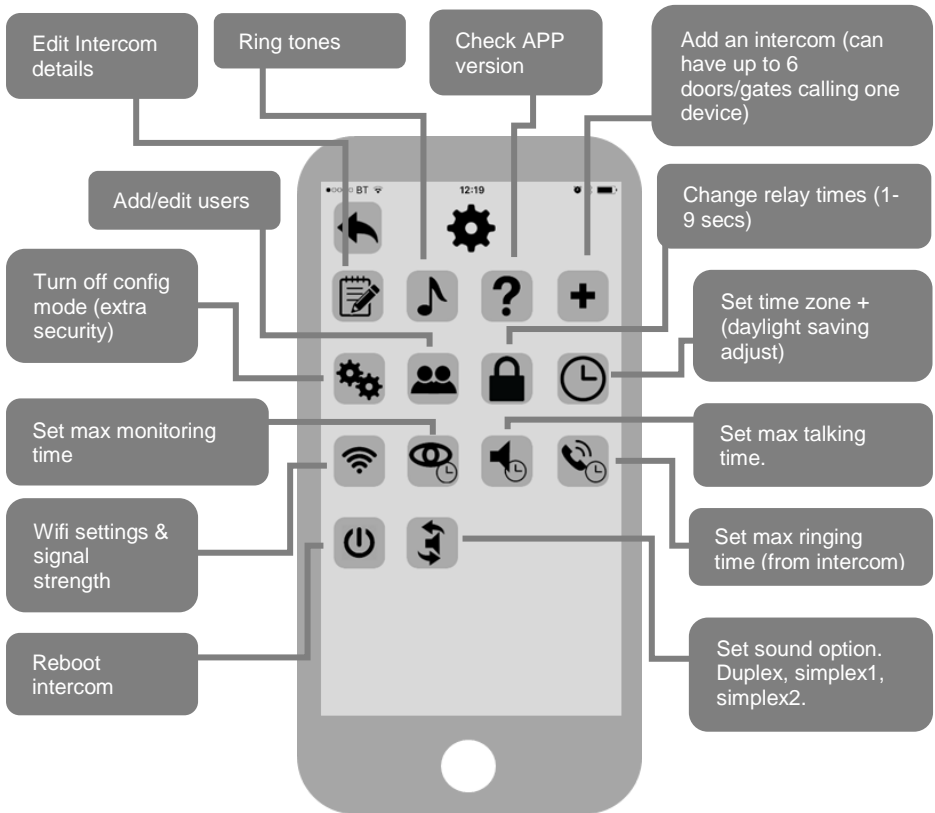
NET2– This LED flashes when active.

Adding Additional APP Users

Additional users **MUST** be added with individual user names. Do **NOT** use the same username.

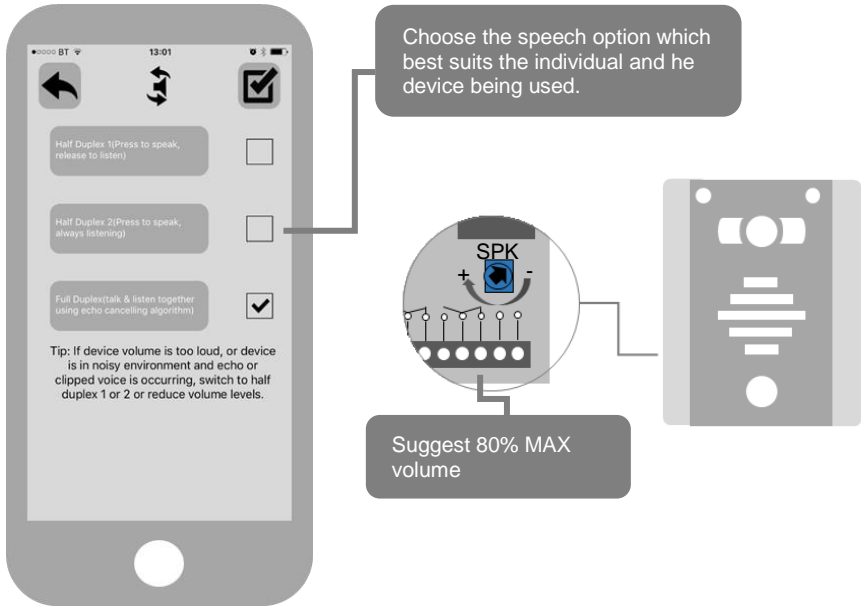


Other Settings



Sound, Volumes and Speech

This intercom is capable of full duplex speech, which means two people can have a conversation and appear to speak at the same time. Since various manufacturers of android phones, iphones and tablets all differ in acoustic performance, and different users may require varying levels of volume on their own handset, it may be possible to setup some devices in full duplex mode but others may need to be set in half duplex mode (phone user will press to talk). This may also be required if a phone is in a particularly noisy environment, or the intercom is located near a busy main road with high levels of traffic noise.



Choose the speech option which best suits the individual and the device being used.

Half Duplex 1(Press to speak, release to listen)

Half Duplex 2(Press to speak, always listening)

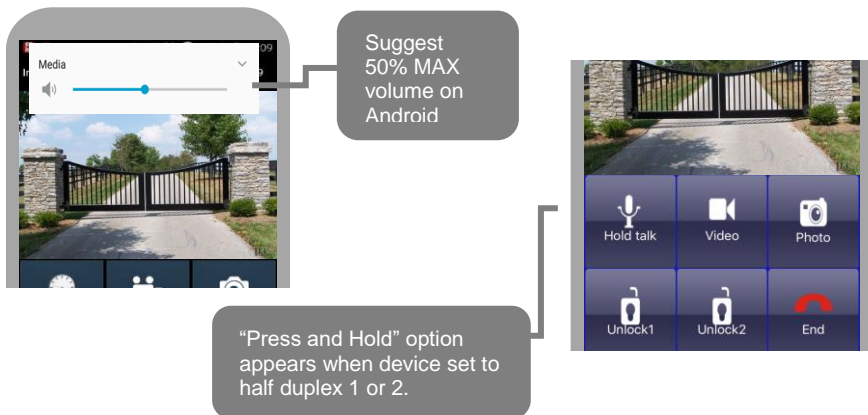
Full Duplex(talk & listen together using echo cancelling algorithm)

Tip: If device volume is too loud, or device is in noisy environment and echo or clipped voice is occurring, switch to half duplex 1 or 2 or reduce volume levels.

SPK

Suggest 80% MAX volume

The diagram illustrates the configuration of a smartphone for intercom use. On the left, a smartphone screen displays three speech options: 'Half Duplex 1 (Press to speak, release to listen)', 'Half Duplex 2 (Press to speak, always listening)', and 'Full Duplex (talk & listen together using echo cancelling algorithm)'. The 'Full Duplex' option is selected with a checkmark. A tip below the options advises switching to half duplex if there is too much volume or noise. To the right, a speaker icon labeled 'SPK' is shown with a volume slider set to 80% MAX. Further right is a grey intercom device icon.



Suggest 50% MAX volume on Android

Media

Hold talk

Video

Photo

Unlock1

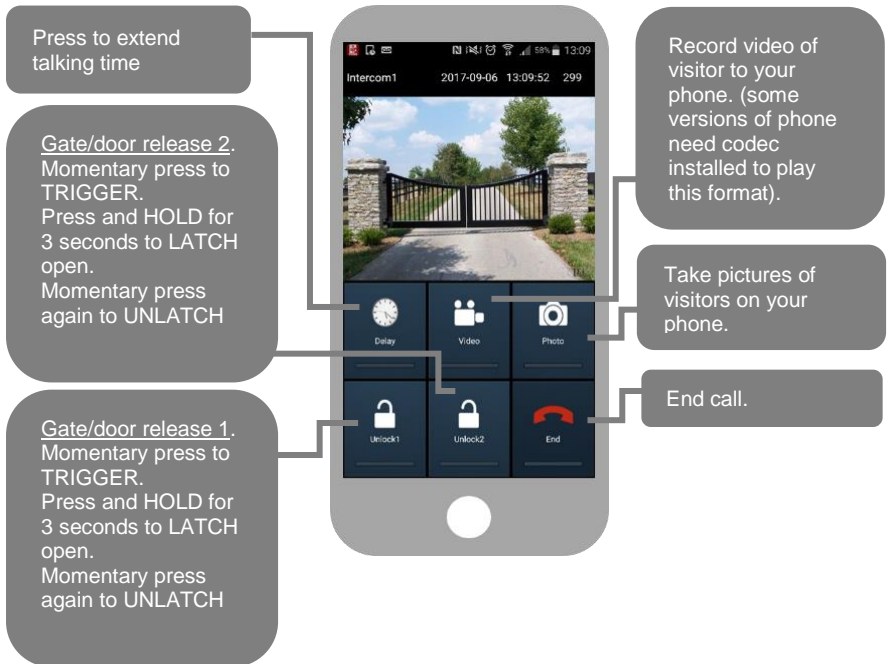
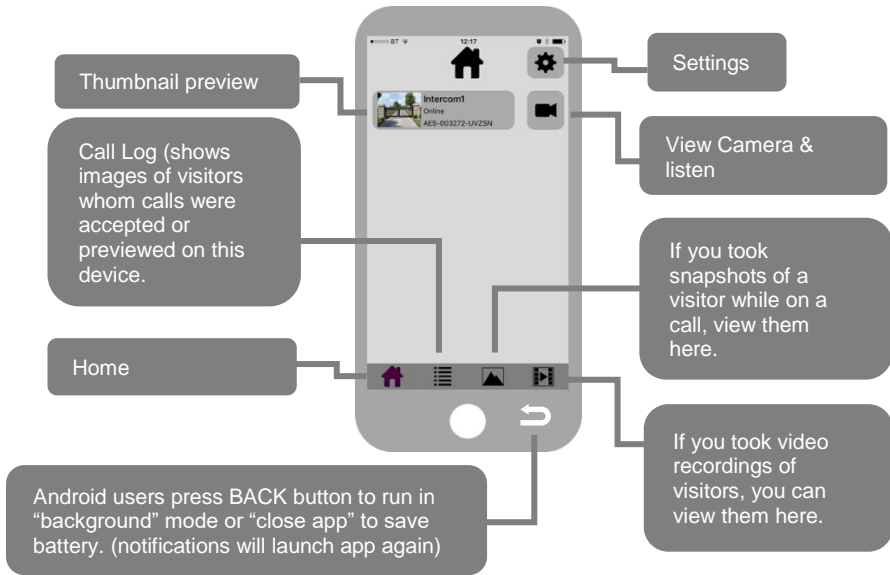
Unlock2

End

"Press and Hold" option appears when device set to half duplex 1 or 2.

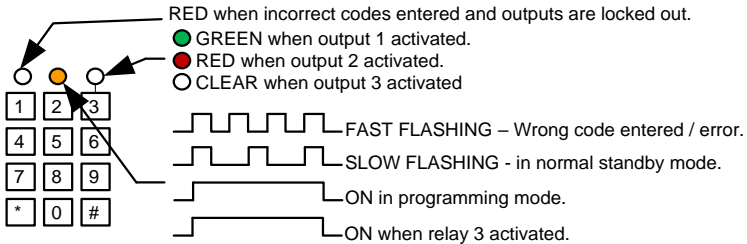
The diagram shows the volume settings and control panel for the intercom. On the left, the Android 'Media' volume slider is shown at 50% MAX. On the right, a control panel features six buttons: 'Hold talk' (microphone icon), 'Video' (video camera icon), 'Photo' (camera icon), 'Unlock1' (phone icon), 'Unlock2' (phone icon), and 'End' (red phone icon). A callout box indicates that the 'Press and Hold' option appears when the device is set to half duplex 1 or 2.

Using the APP



Keypad overview

This keypad has 3 outputs, all independent from the intercom/app relays. The diagram below shows the LED indicators which indicate programming and relay status information.



TIP: After power up, as a security precaution, the keypad cannot be programmed for 60 seconds. Once this time elapses, you may begin.

TIP: Flashing amber LED is normal standby mode!

Keypad Programming

Quick start guide

1) Enter programming mode (amber LED should be ON)

0 0 0 0 * *

2) Enter a new user code...

1 0 2 0 0 0 ? ? ? ? #

3) Exit programming mode

* *

4) Enter the new user code to check the relay clicks.

Tip: The engineer code must be the same length as user codes. If using a 6 digit engineers code, then user codes must also be 6 digits long etc.

Full Keypad programming

Enter programming mode..

0 0 0 0 * *

The unit is now in programming mode. Amber LED on the keypad should remain permanently on. 0000 is the default programming passcode.

Exit programming mode..

* *

The unit should exit programming mode and the amber LED should start flashing again.

Enter a new ENGINEER/INSTALLERS code...

Go into programming mode firstly then enter the following sequence...

0 1 ? ? ? ? #

Location

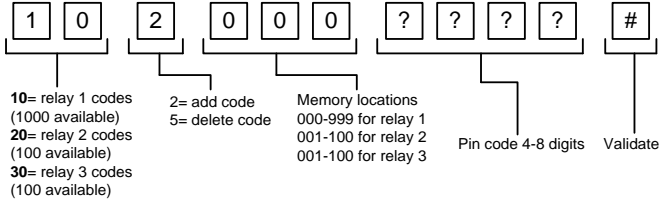
4-8 digit code

Validate

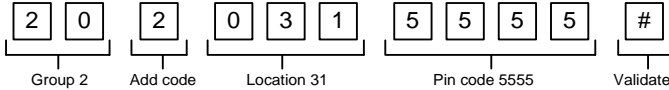
Replace ???? with your new ENGINEERS code.

Enter or delete new user/Homeowner codes

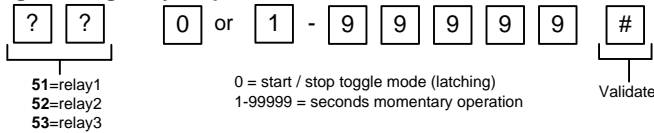
There are 3 groups of user codes. Group 10 for relay 1, group 20 for relay 2, and group 30 for relay 3. The programming sequence is shown below...



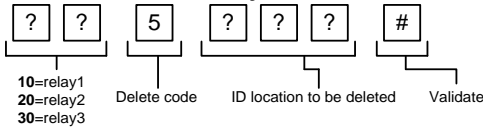
Example: Add user 31 to have access code 5555 operating relay 2....



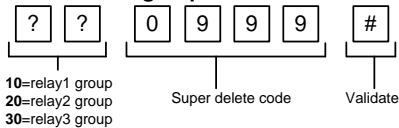
Programming relay output times and modes...



Delete a user code even if you don't know the code...

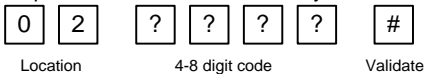


Delete an entire group of codes



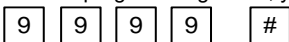
Programming super user codes...

A super user code can activate any of the 3 relays



Restoring defaults

When in programming mode, you can enter the following sequence...



When the engineers/installers code is forgotten....

1) Wire a push button (or replicate with wire link) across the Egress terminal and (-)GND.

- 2) Switch off power for 1 minute.
- 3) Switch ON power.
- 4) during the first 60 seconds, press the EG button once to enable the function.
- 5) Enter the following code..

8 0 8 0 * *

The keypad should now be in programming mode, ready to accept new data. Change the installers/engineers code now as per instructions above.

Using the keypad

Using the standard codes...

Once you have exited out of programming mode, simply enter the user code.

Using super user codes

? ? ? ? # 1 Activate output 1

? ? ? ? # 2 Activate output 2

? ? ? ? # 3 Activate output 3

Troubleshooting

It is worth remembering that when you install this intercom, you are literally only supplying 25% of the overall system. The other 75% already exists with the customer. Namely the router, the wifi network, and the phones or devices.

Anything can go wrong with any part of that entire system. Therefore, it is a useful exercise to attempt to prove to the customer that the intercom hardware is working and operational before attempting to diagnose the root cause, especially when connected wirelessly to a network.

If the intercom is connected via wifi to the network, it is very useful to press and hold the code button on the board, then connect the phone DIRECTLY to the BELL wifi network (must be within wifi range of intercom). Open the app, and show the customer that when the phone is connected directly to the intercom, there is video and two way speech. The job is then to find out what part of the installation or overall system is causing the problem since the intercom hardware has been proven as operational.

We can say without doubt that when we do get hardware failures, the above process will not work and you will not get video and voice to the phone in a direct connection like thi

Below are the most common causes of problems with installs, starting with the most common first.

Problem/error	Symptoms caused	Solution
Wrong power cable (too thin) installed from 24v adaptor to the intercom, or power adaptor too far from intercom.	Delayed push notifications, video lag, voice problems, freezing, relays not opening the gate.	Change the power cable to specifications shown within this manual.
Additional user added incorrectly.	Can randomly display status "id already in use"	When an additional user was being added, the process was

		done incorrectly. Additional users MUST be added by the admin device first, with separate usernames created for each. The new usernames and passwords must be used by the new devices as shown in this manual to logon to the intercom.
--	--	---

Change History

Top version	Panel version	PCB version	Firmware version	IOS app version	Android app version
1	2	1.0	4.11.12.21.20171121	1	1

Regulatory Compliance



FCC Id: 2ALPX-WIFI-IBK

Grantee: Advanced Electronic Solutions Global Ltd

This device complies with Part 15 of FCC rules. Operation is subject to the following two conditions: (1) this device may not cause harmful interference, and (2) this device must accept any interference received, including interference that may cause undesired operation.

Output power listed is conducted. This device must be installed to provide a separation distance of at least 20 cm from all persons and must not be co-located or operating in conjunction with any other antenna or transmitter. End-users and installers must be provided with antenna installation instructions and transmitter operating conditions for satisfying RF exposure compliance. This device has 20MHz and 40 MHz bandwidth modes.

EU-RED Declaration of Conformity

Manufacturer: Advanced Electronic Solutions Global Ltd

Address: Unit 4C, Kilcronagh Business Park, Cookstown, Co Tyrone, BT809HJ, United Kingdom

We/I declare, that the following equipment (Video intercom), part numbers:

Wifi-iBK, wifi-iB, wifi-ABK, wifi-AB, wifi-BD, wifi-BEK, wifi-BEik, wifi-Bei, wifi-BFT-KPAD



Complies with the following essential requirements:

EN 301 489-1 V2.2.0 (2017-03) (Electro-Magnetic compliance)

EN 301-489-17 V3.2.0 (2017-03) (Electro-Magnetic compliance)

EN 62479:2010 (Maximum output power)

EN60950-1:2006+A11:2009+A1:2010+A12:2011+A2:2013 (Electrical Safety)

This product is not a complete product until fully installed. It is therefore considered a component part of an overall system. The installer is responsible to check that the end installation complies with local regulatory requirements. This equipment forms part of a "fixed installation"

The manufacturer cannot legally offer technical support to non-qualified gate or door installers. End users should employ the services of a professional install company to commission or support this product!

Note: For legal reasons, telephone technical support is for registered and qualified product dealers only. Home owners and end users should contact their local dealer for product technical support.