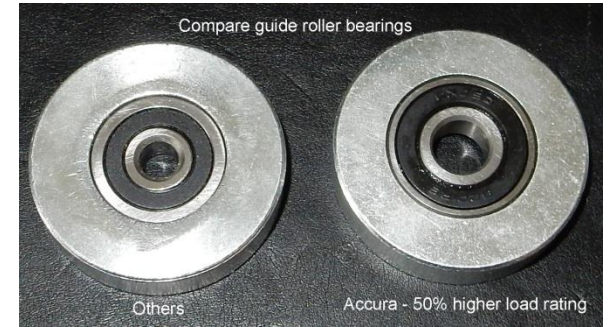
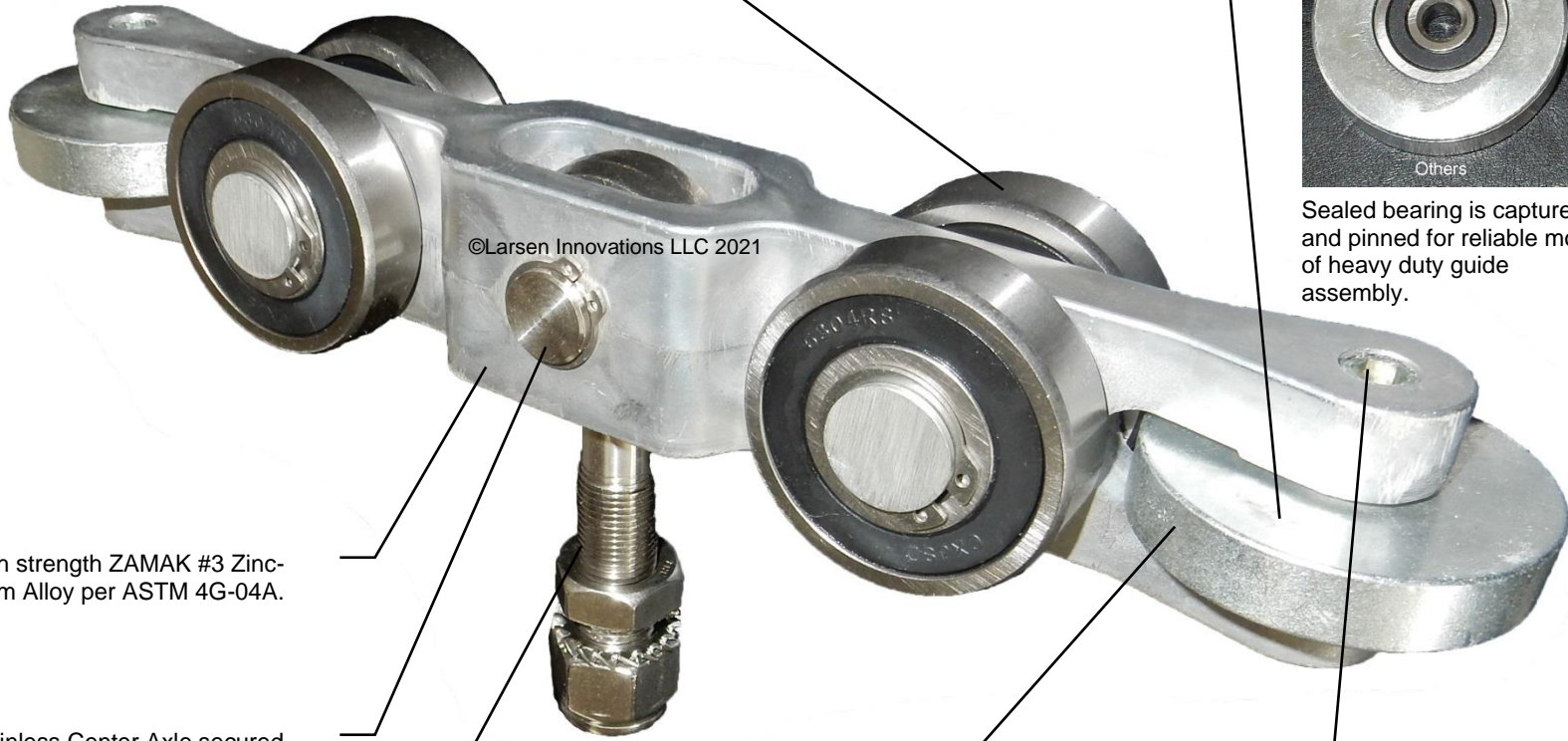


Four 2.05" diameter (52mm) pre-lubricated sealed bearings are maintenance free. Rollers are individually rated at 2730# dynamic load. Secured by stainless snap rings.

NEW –
Heavier Duty guide roller bearings
Pin supported top and bottom.



Sealed bearing is captured and pinned for reliable mount of heavy duty guide assembly.



©Larsen Innovations LLC 2021

High strength ZAMAK #3 Zinc-Aluminum Alloy per ASTM 4G-04A.

304 Stainless Center Axle secured with stainless snap rings.

Fine thread stainless steel 5/8" bolt with rod end bearing with locking nuts. Static load rating of 6800#. Using a rod end bearing rather than a simple fixed axle connection insures that the truck assembly tracks freely by accommodating the subtle swaying motion inherent in most gate installations.

Two 2.13" diameter (54.1mm) galvanized steel rollers.

Stainless steel axle bolts are supported through the upper and lower sections of the casting reinforcing this critical part and virtually eliminating the potential of the guide roller coming off of the assembly inside of the track. The bottom is pinned to prevent the bolt from coming loose.



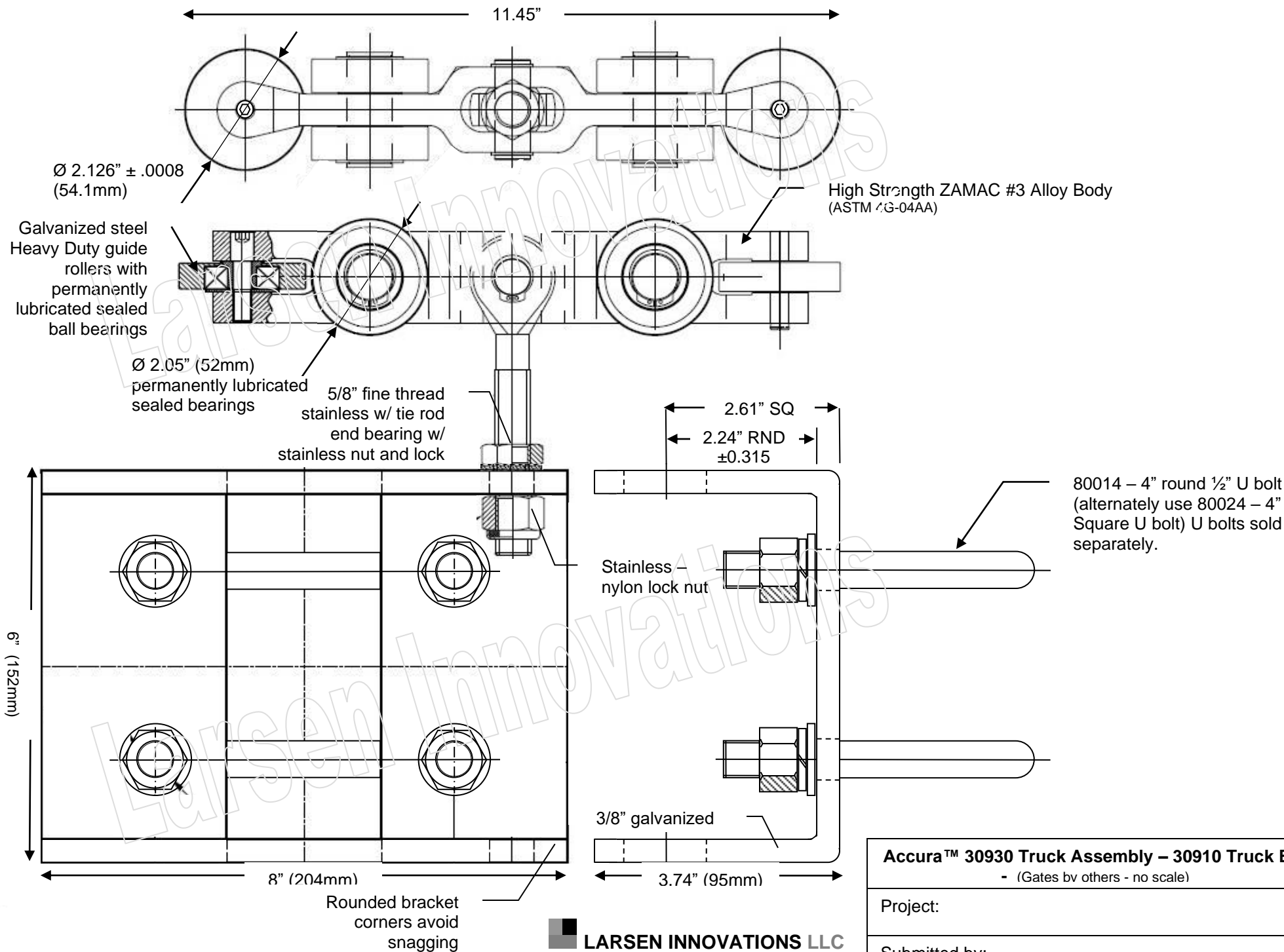
Installed on round post with optional 30848 protective panel bracket. The bracket makes it easy to add the infill panel required by ASTM 2200.

2000# Reaction Load Rating on the Truck Assembly
Five Year Limited Warranty

Subject to change without notice
Effective February 23, 2021
© Larsen Innovations LLC 2015*2021

LARSEN INNOVATIONS LLC
www.LarsenInnovations.com
info@LarsenInnovations.com

**Accura™ 30930 Internal Truck Assembly
With Heavy Duty Guide Rollers with sealed**



Accura™ 30930 Truck Assembly - 30910 Truck Bkt - (Gates by others - no scale)
Project:
Submitted by:

Subject to change without notice
 Effective April 14, 2021
 © Larsen Innovations LLC 2009 -2021

LARSEN INNOVATIONS LLC

www.LarsenInnovations.com
 info@LarsenInnovations.com