

# ADVANTAGE DK



ADV-1000 SERIES

1,000-CODE KEYPADS

## FEATURES

- Control up to 2 gates/doors
- 1,000 four-digit code capacity
- "3 strikes, you're out" security
- Latch code
- Sleep code
- Personal master code
- Variable relay time
- Event input
- Audible-tone and LED feedback
- Non-volatile memory
- Backlit keypad



 **FLAGSHIP** PRODUCT

**ADVANTAGE**

SOLID ACCESS CONTROL FOR OVER 35 YEARS

## NO-NONSENSE OPERATION

If you're looking for keypads that are easy to program and easy to use, look no further!

## THE ORIGINAL KEYPAD COMBO

Need a keypad that's also an intercom or one with a Knox lock cutout? This keypad has always been more than just a keypad.

## STURDY AND DURABLE

All our products are made from high-quality materials that will last for years to come.

## PROGRAMMING YOU KNOW

Quick, simple, and familiar, the basic programming steps on the keypad are identical to those on all our keypads.



## SPECIFICATIONS

### PHYSICAL

#### ADV-1000

Dimensions 5.22"(H) x 5.22"(W) x 5.10"(D)

Shipping Weight 4 lbs.

#### ADV-1000I / ADV-1000-KNOX

Dimensions 5.80"(H) x 7.45"(W) x 5.25"(D)

Shipping Weight 6 lbs.

### ELECTRICAL

Input 12-24 VAC/DC  
power supply not included

Current Draw less than 67 mA @ 12 VDC  
less than 35 mA @ 24 VDC  
with relay latched and backlit components on

### RELAY

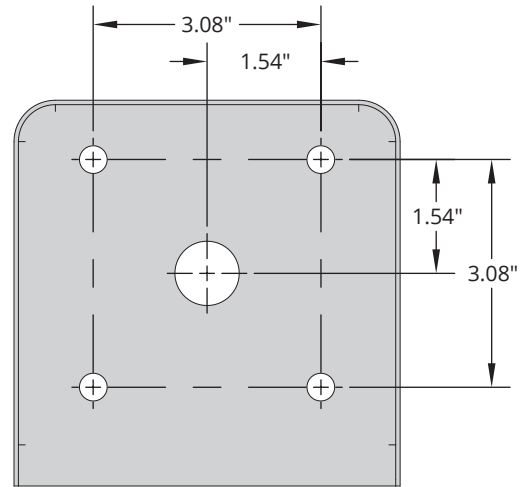
Contact Rating 1 A @ 24 V / .5 A @ 120 V  
DC Load / AC Load

Variable Relay Time 1-999 seconds

### ENVIRONMENTAL

Operating Temperature -15 to 175 °F

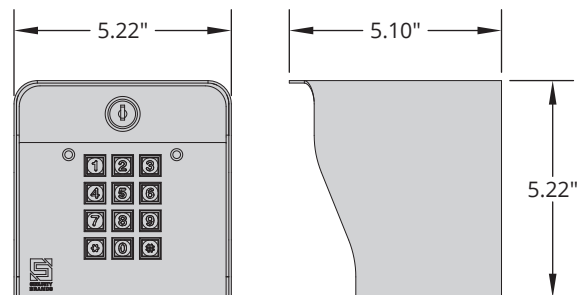
## MOUNTING (ADV-1000)



### HOLE SIZES

Wiring pass through 0.88"  
Mounting holes (x4) 0.38"

*Unit includes mounting hardware.*



*ADV-1000 shown*

## AVAILABLE MODELS



**ADV-1000**  
Post Mount



**ADV-1000I**  
Post Mount w/ Intercom



**ADV-1000-KNOX**  
Post Mount w/ Knox Cutout

For more information, visit us online:  
[securitybrandsinc.com](http://securitybrandsinc.com)



(972) 474-6390

sales@securitybrandsinc.com

2210 Executive Dr  
Garland, TX 75041