

3. You should test your entire system occasionally in order to be sure that all components are working in good order.
4. Nortek Security & Control LLC's dealers can provide you with information regarding the use of our radio controls, and can provide valuable installation and operation information, when requested.

WARNING: Changes or modifications not expressly approved by the manufacturer could void the user's authority to operate the equipment.

Note: This equipment has been tested and found to comply with the limits for a Class B digital device, pursuant to Part 15 of the Federal Communications

Commission (FCC) rules. These limits are designed to provide reasonable protection against harmful interference in a residential installation. This equipment generates, uses and can radiate radio frequency energy and, if not installed and used in accordance with the instructions, may cause harmful interference to radio communications. However, there is no guarantee that interference will not occur in a particular installation. If this equipment does cause harmful interference to radio or television reception, which can be determined by turning the equipment off and on, the user is encouraged to try to correct the interference by one or more of the following measures:

- Reorient or relocate the receiving antenna.
- Increase the separation between the equipment and receiver.
- Connect the equipment into an outlet on a circuit different from that to which the receiver is connected.
- Consult the dealer or an experienced radio/TV technician for help.

FCC & IC Notice

This device complies with Part 15 of the FCC Rules and Industry Canada license exempt standard(s). Operation is subject to the following two conditions:

- 1) This device may not cause harmful interference, and
- 2) This device must accept any interference received, including interference received that may cause undesired operation.

Le présent appareil est conforme aux CNR d'Industrie Canada applicables aux appareils radio exempts de licence. L'exploitation est autorisée aux deux conditions suivantes:

- 1) l'appareil ne doit pas produire de brouillage, et
- 2) l'utilisateur de l'appareil doit accepter tout brouillage radioélectrique subi, même si le brouillage est susceptible d'en compromettre le fonctionnement.

For service, return to your dealer or shop prepaid to:

Linear[®]

USA & Canada Toll Free (800) 421-1587
or dial (760) 438-7000
www.nortekcontrol.com



Model 3022 TRANSMITTER

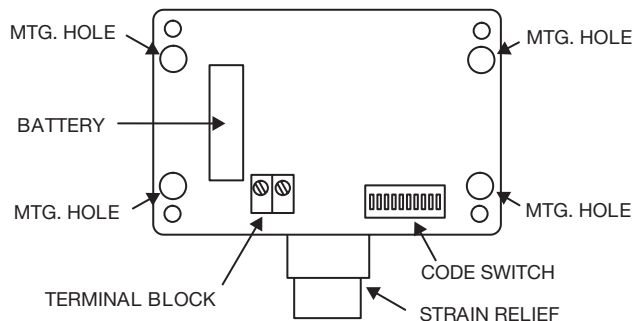
Important! Read Before Installation

The MULTI-CODE 3022 transmitter has been designed to provide great reliability and safety, but it must be installed correctly. Read the enclosed instructions carefully.

The Model 3022 may be used for a variety of purposes, and wherever remote signaling is desirable, as specified by FCC & IC regulations. If this transmitter is to be used in an application which may be safety related be sure to take special precautions. Nortek Security & Control LLC has taken every step to insure the best possible product, but you must be certain to install the 3022 transmitter correctly.

Before installing the 3022 transmitter, open it up by removing the four screws which secure the top of the case. You will note that there is a terminal block (see figure 1), to which you will secure the wires coming from your device. Run your wire through the strain relief fitting, leaving enough wire to provide adequate length for stripping. YOUR WIRE SHOULD BE 18 TO 24 GAUGE, although any wire that fits snugly in the strain relief fitting may be used. Be sure to check the water-tightness of the fitting if you use anything other than 18-24 gauge wire, as this may compromise the integrity of the case. Put your two wires under the terminal blocks, and fasten by screwing down.

Next, code your transmitter and, if necessary, your receiver. The code switch (see figure 1) allows for 1024 possible combinations. If you have an existing receiver, you may code the 3022 to the same code, or you may choose to wire a separate receiver. If you wire a second receiver, be sure to separate the two receivers as much as possible, to avoid any possibility of interference.



If you are going to use the 3022 transmitter in a safety related device, be sure to read the manufacturer's instructions with regard to wiring and limitations of the safety circuit.

After you have wired and coded the 3022, you are now ready for mounting. You will note that there are four holes in the case, through which you can mount your screws, rivets, or other mounting devices. If the transmitter is to be used in the proximity of metal, be sure to test the location at the greatest distance the device will be from its receiver, in order to be sure that adequate performance is achieved. ANY METAL, INCLUDING MOUNTING PLATES, ETC., MAY AFFECT THE PERFORMANCE OF YOUR TRANSMITTER. Once you are satisfied with the performance of the radio, you can permanently mount it.

Nortek Security & Control LLC has taken every precaution to assure that the 3022 will perform reliably. In order to provide the greatest reliability, we have fastened the printed circuit board to the case with a special fastening agent, such as Loctite™. We suggest that you use a similar material to your fastening screws if vibration is likely to be encountered.

⚠ IMPORTANT SAFETY TEST ⚠

Before releasing the radio transmitter for use, test the system for proper operation after installing the radio transmitter and associated hardware. The system should be tested at various positions of travel of the gate member to be certain that the gate edge, radio transmitter, receiver and gate operator are functioning to detect an obstruction and reverse or stop the gate.

MAINTENANCE

The 3022 Transmitter needs a minimum of care, however, certain precautions must be taken:

1. Be sure to check the 3022 Transmitter as a system. Be sure that the device that is connected to the 3022 is functioning with the transmitter, and with the receiver.
2. Check the system to which the 3022 is attached frequently.
3. The 3022 employs long life Alkaline-Manganese Dioxide Batteries (Eveready Energizer 522 or equivalent). Nominal life for these batteries is three years, but we suggest you test the unit more often than this. Test the transmitter any time you perform maintenance on the rest of the system.

WARRANTY

MULTI-CODE products carry an eighteen (18) month warranty against defects in workmanship or material. This warranty begins at the date of manufacture, for eighteen months. Nortek Security & Control LLC warrants our product only to our authorized dealers and distributors, and not to the end customer. If you have questions about our warranty, please ask your dealer to determine the nature and scope of his warranty. Nortek Security & Control LLC does not assume, and is not responsible for, any real or consequential damages from claims against the performance of our product, nor is it liable for any costs related to loss of life, property, or revenue. Further, Nortek Security & Control LLC is in no way responsible for installation of our product, and will assume no costs to re-installation or removal. Nortek Security & Control LLC's Warranty is in lieu of all other warranties, ex-pressed, or implied.

PLEASE NOTE

Nortek Security & Control LLC has devoted a great deal of time and research in order to provide the most reliable equipment possible. Certain limitations must be observed.

1. MULTI-CODE radio components must conform with FCC Part 15 requirements. For this reason, the range and power of our radios is within specified limits.
2. As with all manufacturers, MULTI-CODE radios must accept all signals that they receive. This may, in rare instances, create difficulty.