

# ADVANTAGE DKE



26 SERIES

100- AND 500-CODE ECONOMY KEYPADS

## FEATURES

- Control up to 2 gates/doors (26-500)
- Control 1 gate/door (26-100SG)
- 500 four-digit code capacity (26-500)
- 100 four-digit code capacity (26-100SG)
- Latch code
- Personal master code
- Variable relay time
- Event input (26-500 only)
- Audible-tone feedback
- Non-volatile memory
- Backlit keypad (26-500 only)



## ADVANTAGE

SOLID ACCESS CONTROL FOR OVER 35 YEARS

### NO-NONSENSE OPERATION

If you're looking for keypads that are easy to program and easy to use, look no further!

### THE SMART SOLUTION

These keypads have all the features you want and then some but still come in at a price that will fit any budget.

### STURDY AND DURABLE

All our products are made from high-quality materials that will last for years to come.

### PROGRAMMING YOU KNOW

Quick, simple, and familiar, the basic programming steps on the keypad are identical to those on all our keypads.



**SPECIFICATIONS**

**PHYSICAL**

**26-500**

Dimensions 5.41"(H) x 4.07"(W) x 3.38"(D)  
 Shipping Weight 4 lbs.

**26-100SG**

Dimensions 4.50"(H) x 2.75"(W) x 0.75"(D)  
 Shipping Weight 1 lb.

**ELECTRICAL**

Input 12-24 VAC/DC  
 power supply not included  
 Current Draw less than 41 mA @ 12 VDC  
 (26-500) less than 22 mA @ 24 VDC  
 with relay latched and backlit components on

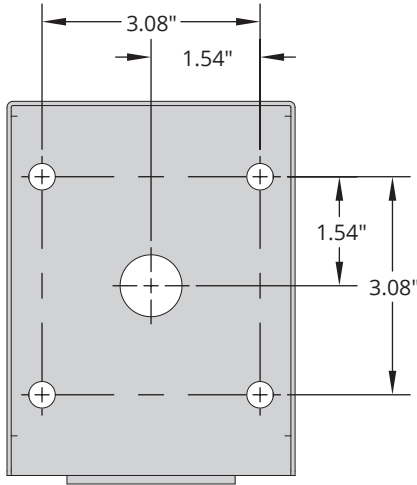
**RELAY**

Contact Rating 1 A @ 24 V / .5 A @ 120 V  
 DC Load / AC Load  
 Variable Relay Time 1-999 / 1-9 seconds  
 26-500 / 26-100SG

**ENVIRONMENTAL**

Operating Temperature -15 to 175 °F

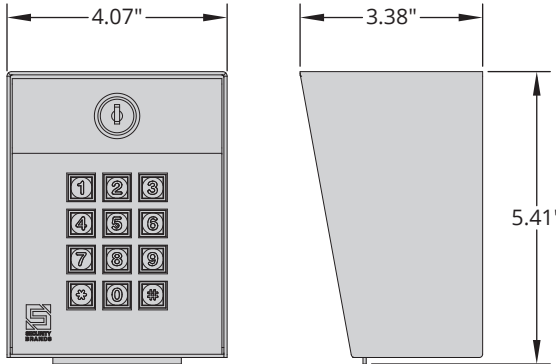
**MOUNTING (26-500)**



**HOLE SIZES**

Wiring pass through 0.88"  
 Mounting holes (x4) 0.38"

*Unit includes mounting hardware.*



26-500 shown

**AVAILABLE MODELS**



**26-500**  
 Post Mount



**26-100SG**  
 Single Gang

For more information, visit us online:  
[securitybrandsinc.com](http://securitybrandsinc.com)

