



WIRING GUIDE

Advantage DKLP with Intercom (19-100I) to Third-Party Base Station

NEED HELP

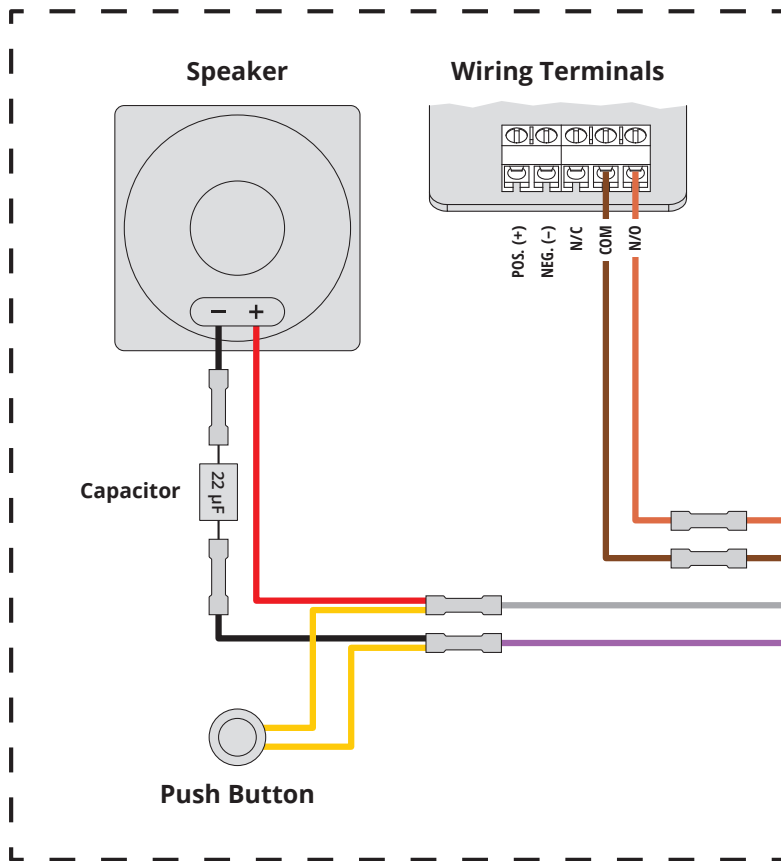
Call (972) 474-6390

Email techsupport@securitybrandsinc.com

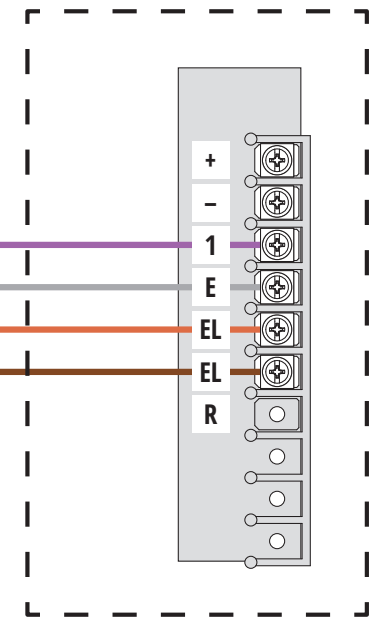
We are available **Mon-Fri / 8am-5pm Central**



19-100I



Base Station



Refer to base station manual for wiring requirements.

To Gate Operator
Open Input

SECURITY BRANDS INC™
your *partner* in access control