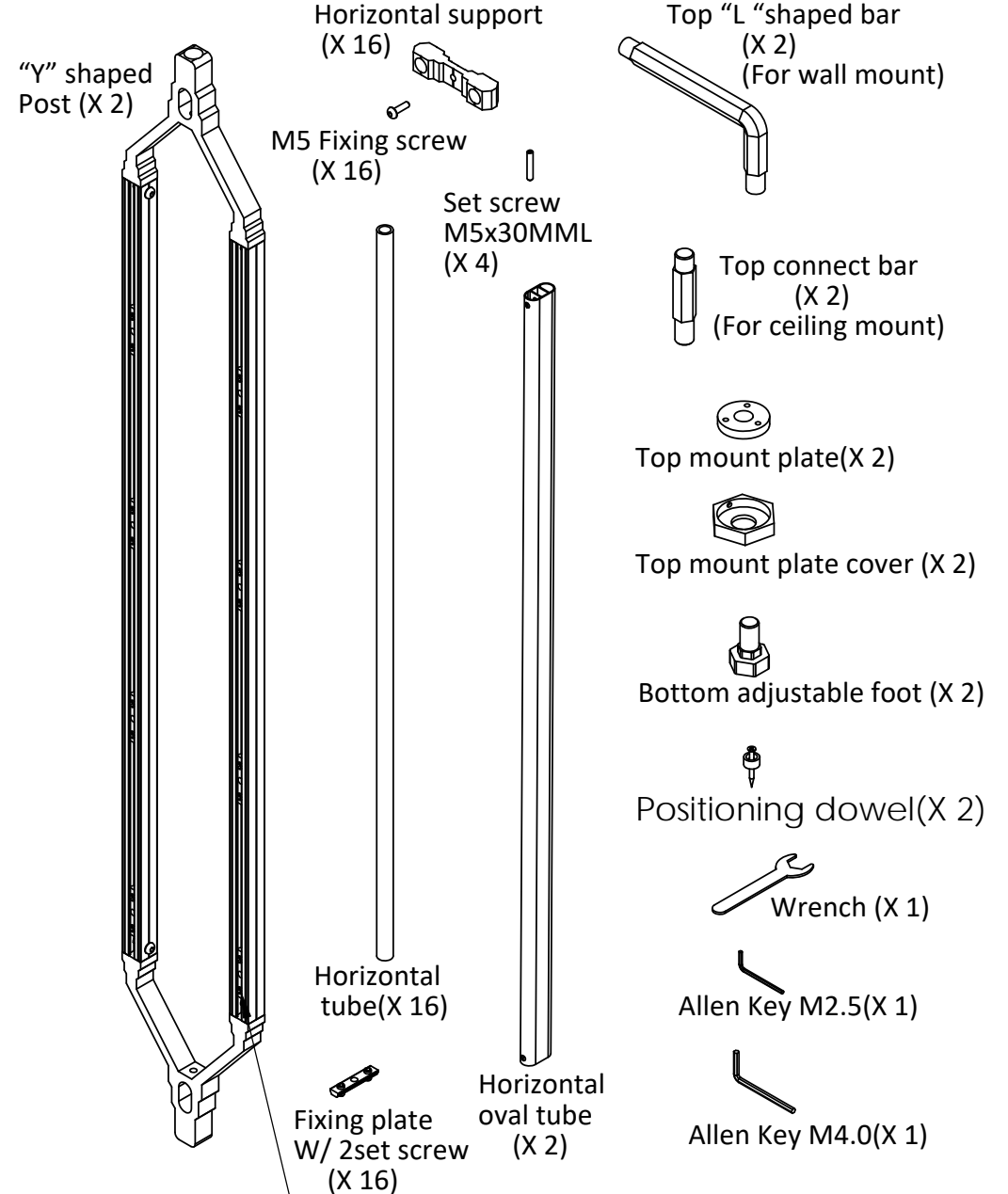
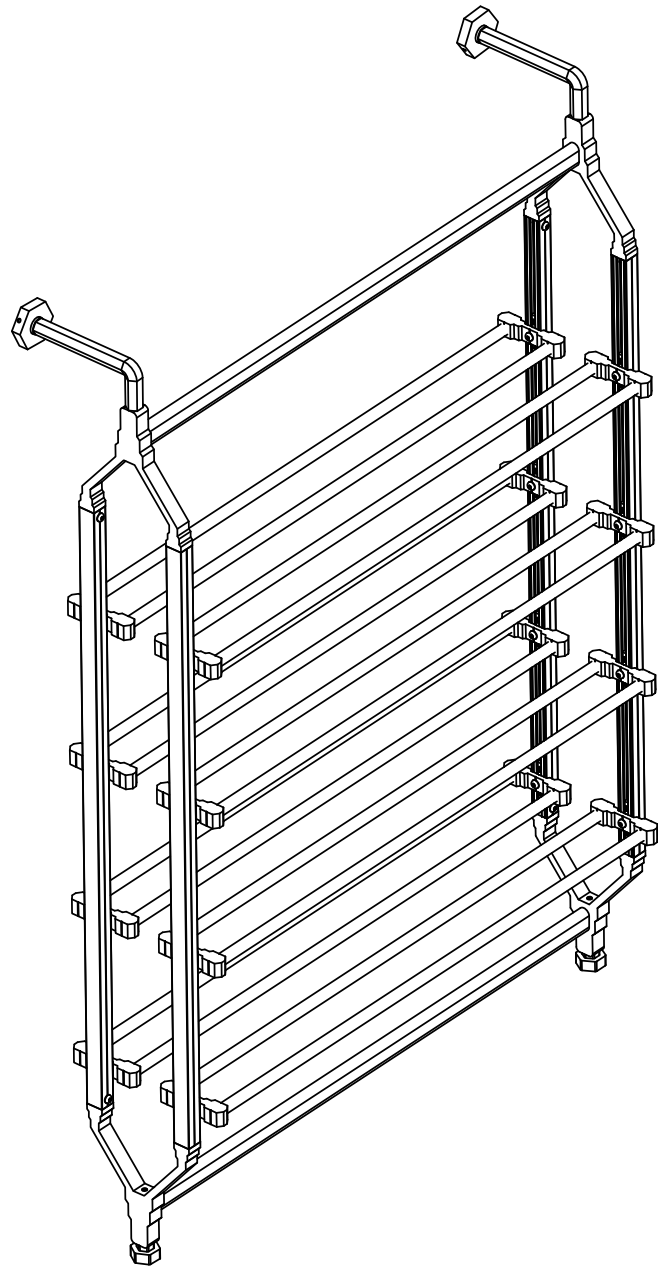
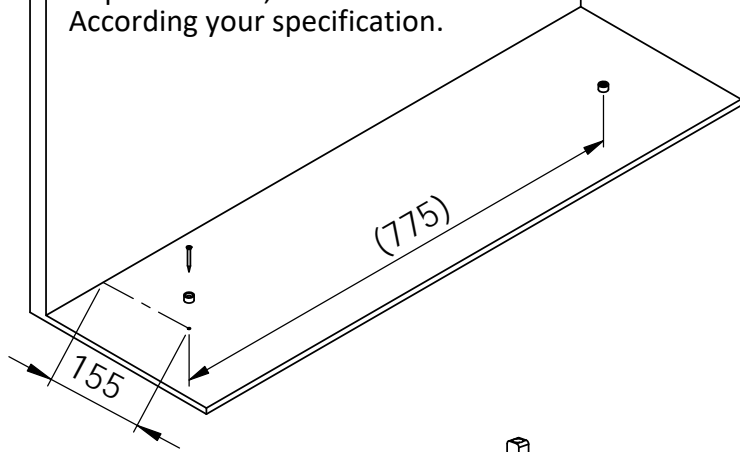


Multi-Functional Rack ASSEMBLY INSTRUCTIONS

PARTS LIST

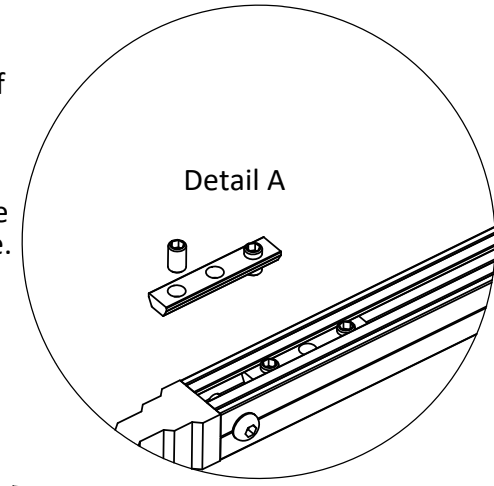


1) Secure the rack positioning dowel with a screw to the bottom of the floor.
Depth: 155mm, Width:
According to your specification.

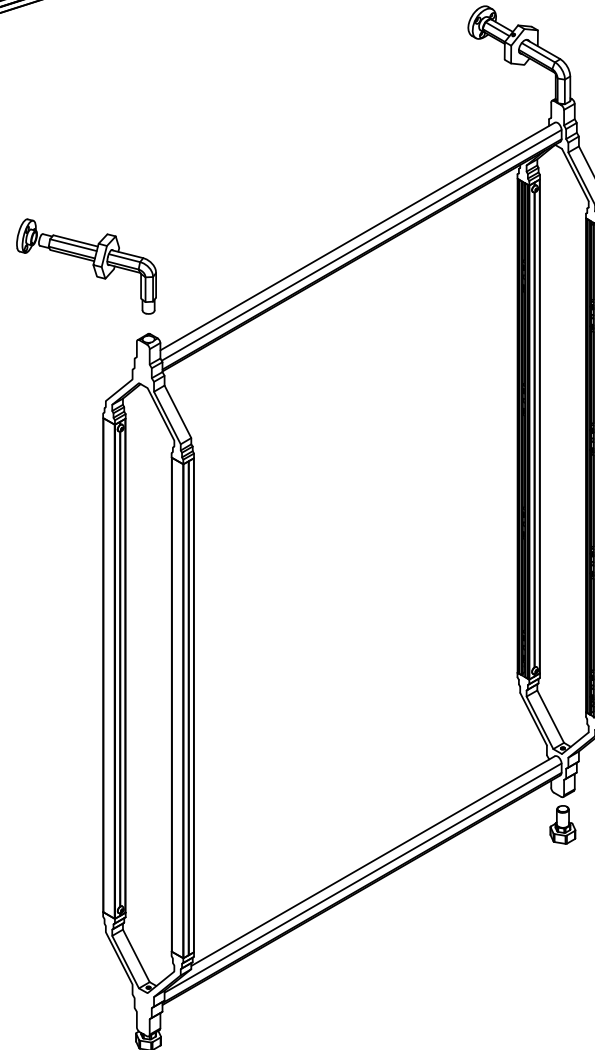


2) Alum fixing plate will be pre-installed in your required spot on both of the "Y" shaped post this will speed up the installation process.

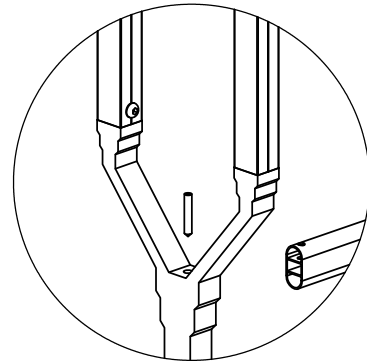
Should you need to make adjustment to the fixing plate it can also be done by loosening the top and bottom set screw on the fixing plate once in desired location tighten the top and bottom screw to secure the plate.



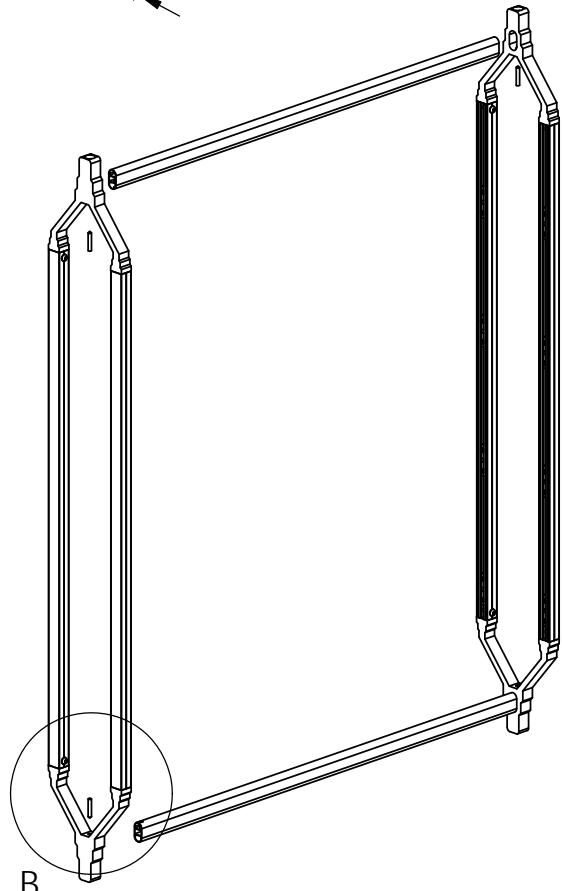
4) Secure the top "L" shaped bar onto the top of the "Y" shaped base, insert the top mount cover and then insert the top mount.



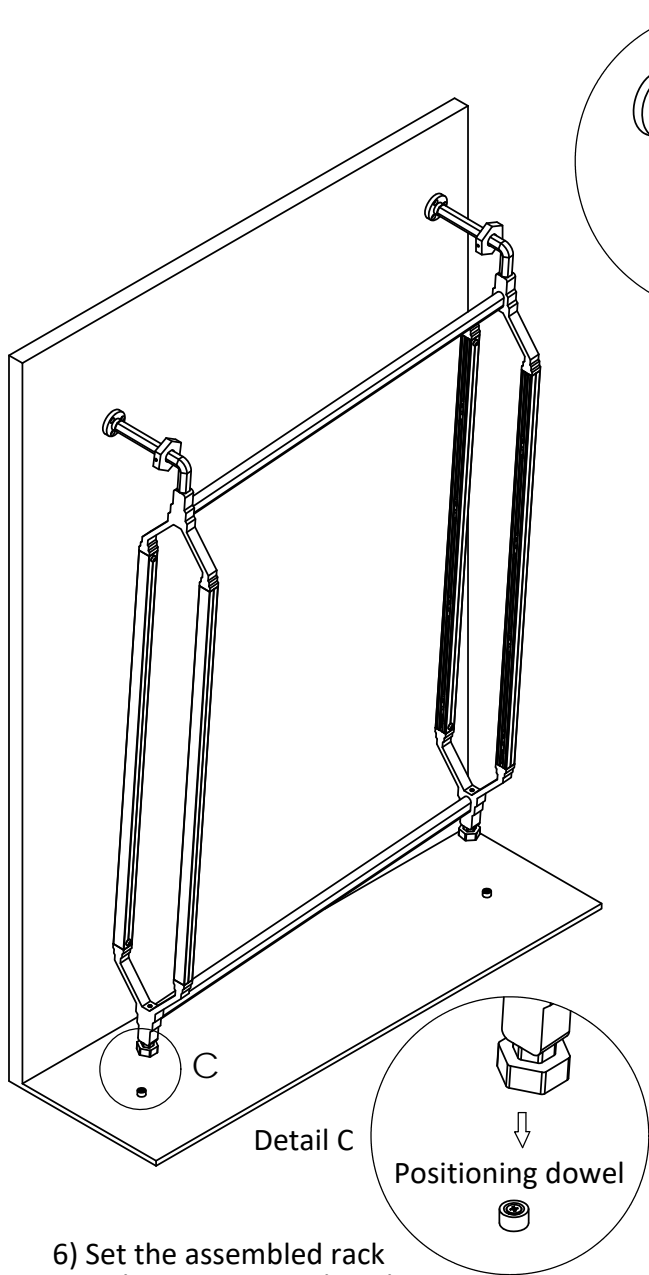
Detail B



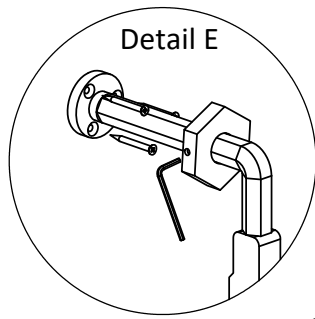
3) Insert the 30 x 15mm alum oval tube into the "Y" shaped base's oval hole and secure it with the M5 x 30mm set screw.



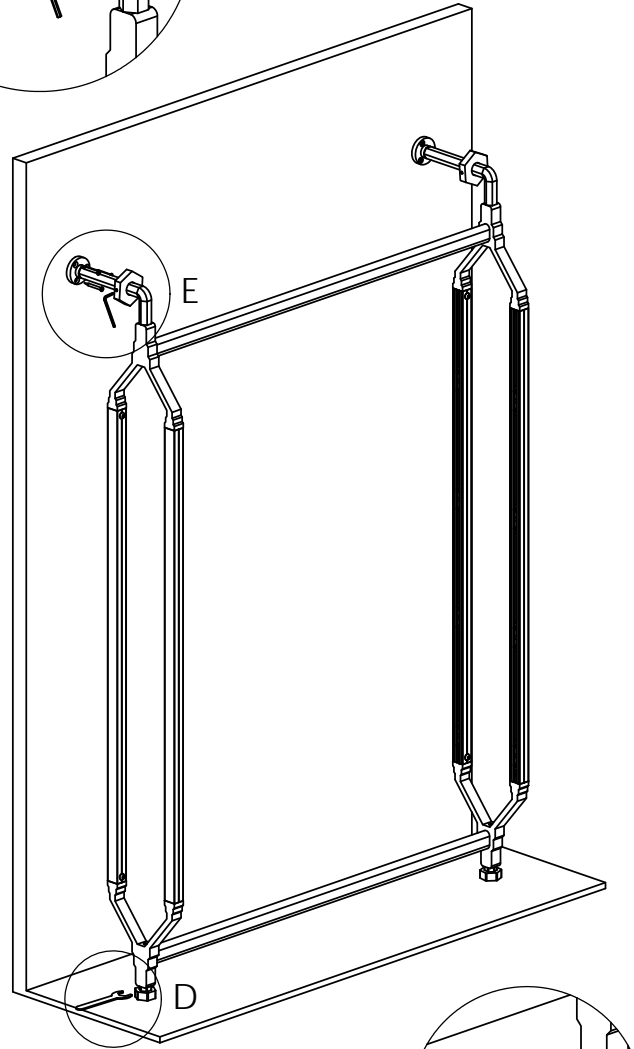
5) Secure the bottom adjustable foot onto the bottom end of the "Y" shaped base.



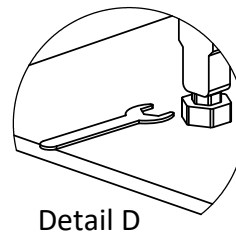
6) Set the assembled rack into the positioning dowel



8) Screw the top mount into the wall and then use the set screw to lock the top mount cover over the top mount.

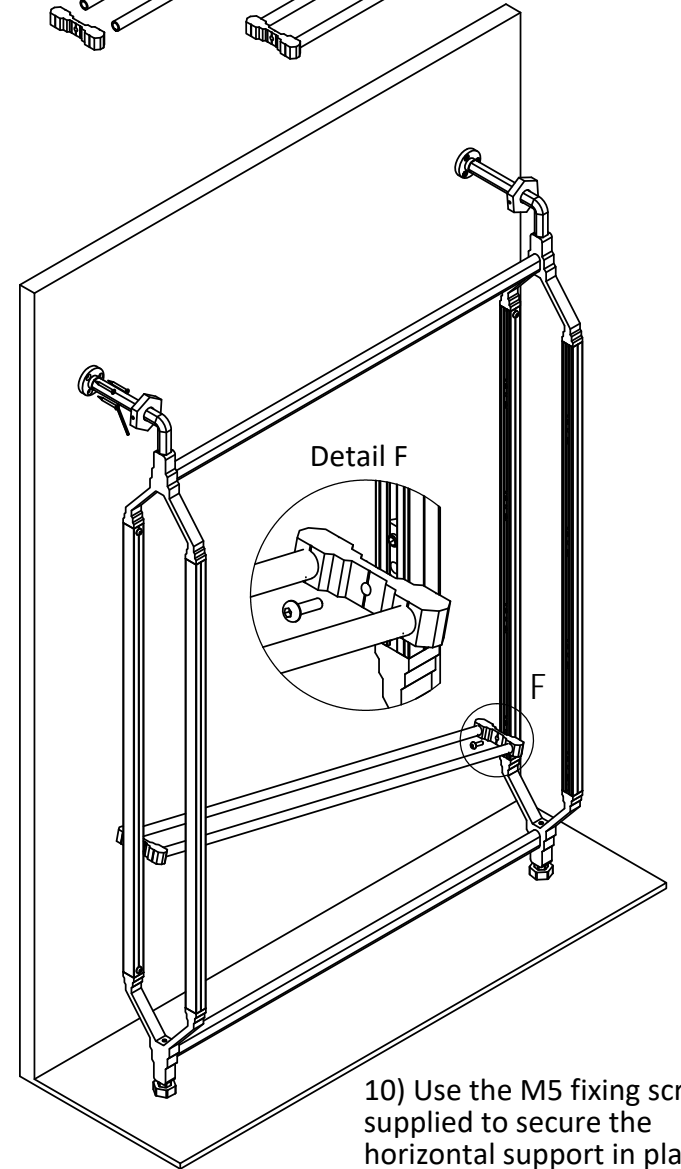
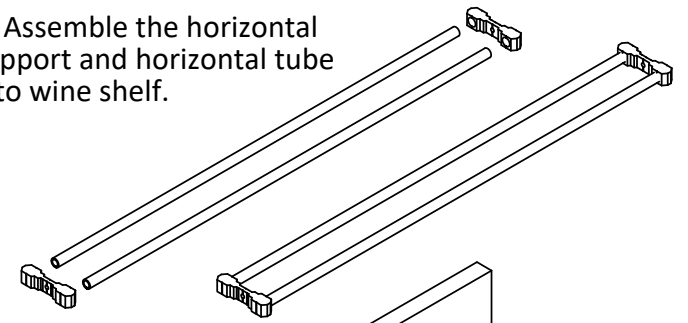


7) Use the wrench supplied to make adjustments to the bottom adjustable foot. (Max adjustment 10mm) to secure the rack in place.



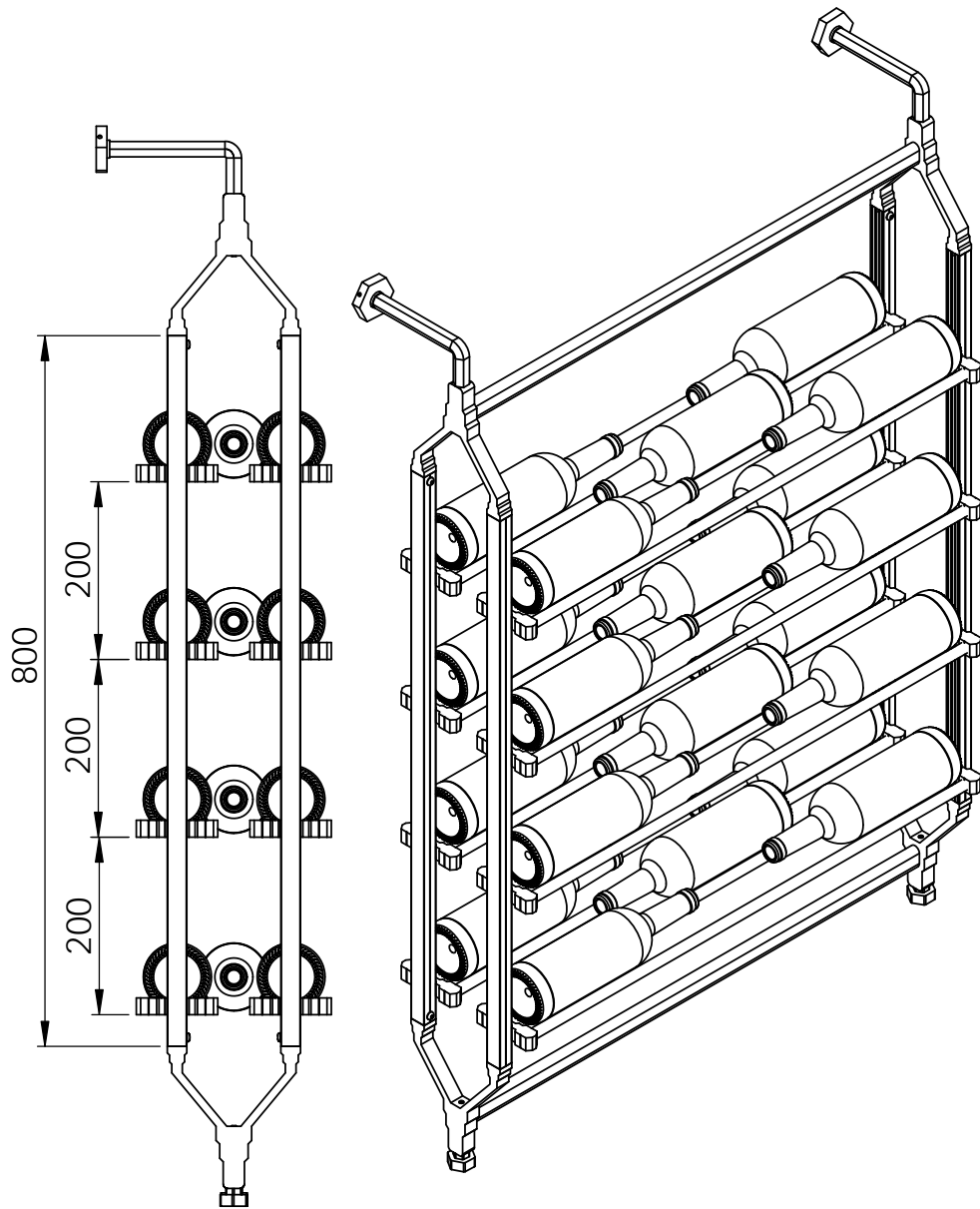
Detail D

9) Assemble the horizontal support and horizontal tube into wine shelf.

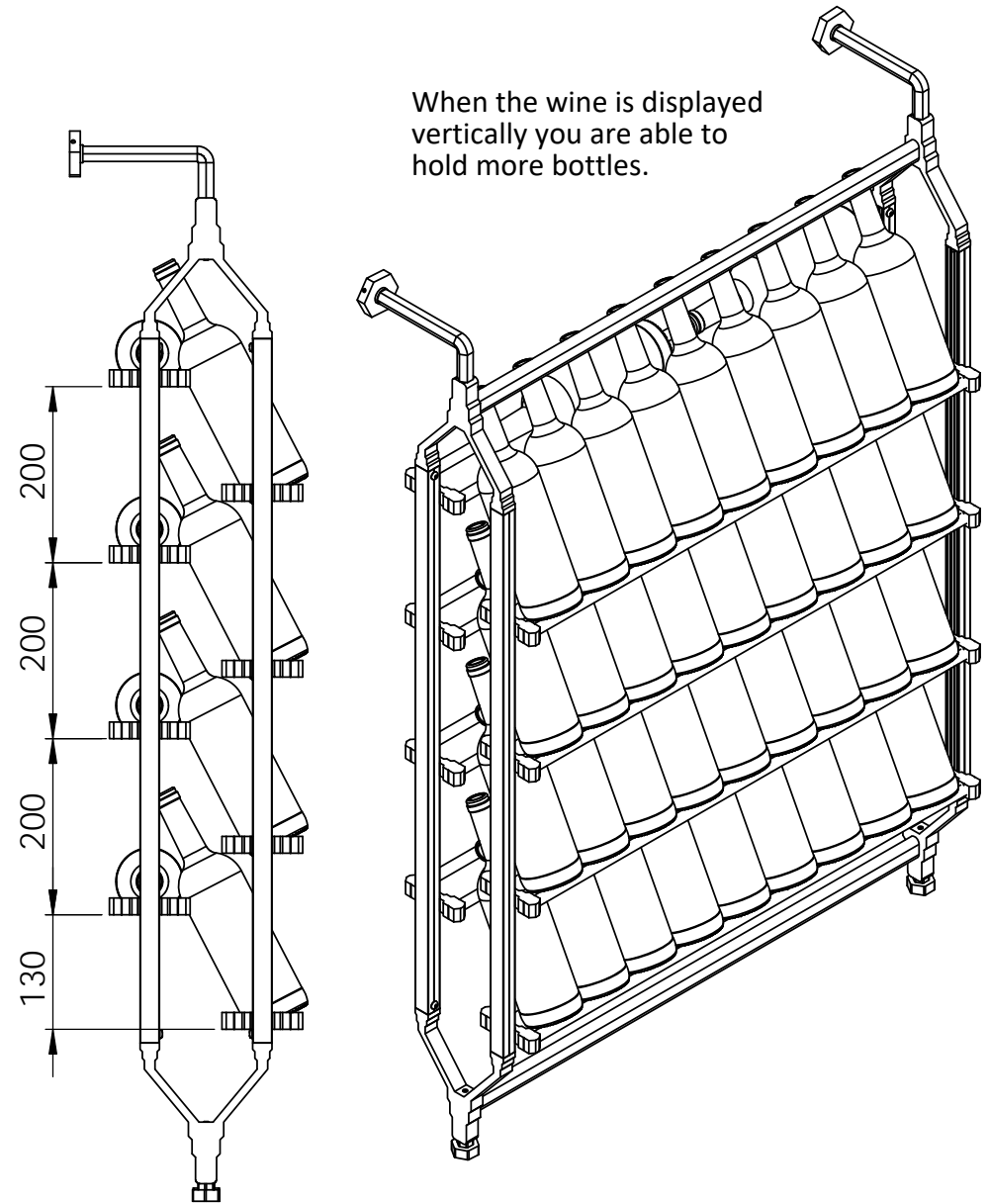


10) Use the M5 fixing screw supplied to secure the horizontal support in place.

When used as a wine rack the customer can display wine bottles horizontally or vertically. This can be done by adjusting the rack.



When the wine is displayed vertically you are able to hold more bottles.



***Customers can decide the height, the width and the amount of tiers of the multi-functional rack. ***