

ASSEMBLY INSTRUCTION



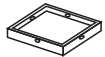






NO : T-1448

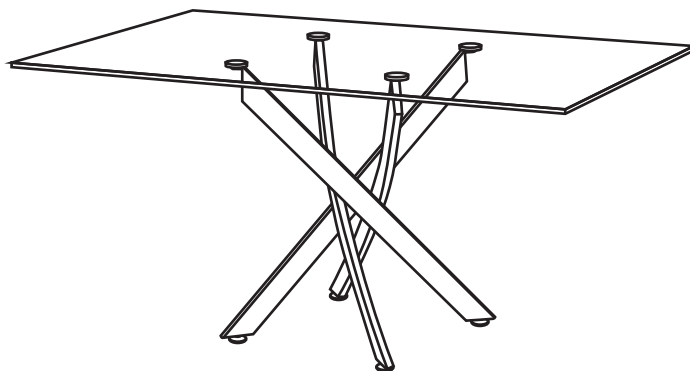
Read instructions carefully prior to assembly.

Thank you for purchasing this quality product. Check carefully for small parts which may have come loose during shipment.

Remove all components from pack and place table top upside down on soft surface such as carpet or cloth to prevent scratching the finish. Identify and count all parts as specified below.

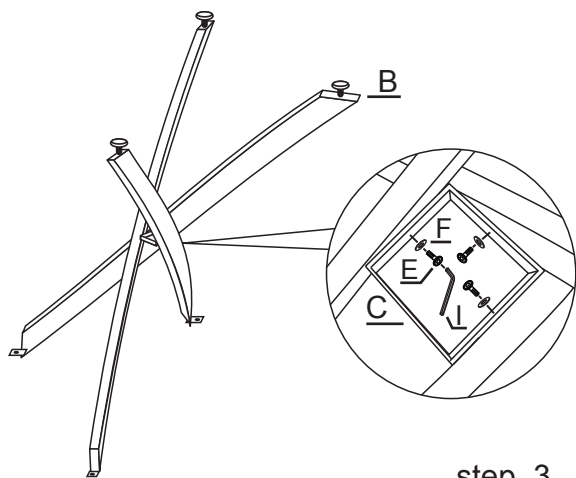
Do not tighten bolts until assembly is complete.

HARDWARE LIST			
NO.	PART	DESCRIPTION	Q'TY
A		glass top	1
B		leg	4
C		metal part	1
D		rod	4
E		screw	4
F		caps	8
G		screw nut	4
H		hexagon spanner	1
I		allen key	1

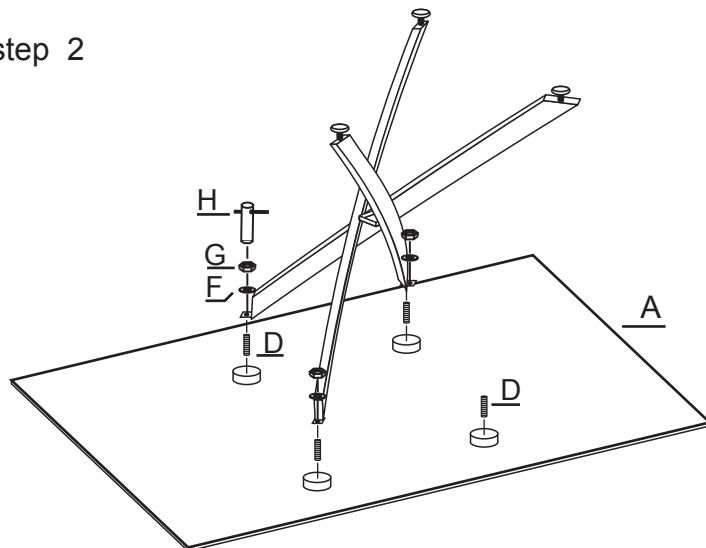


step 1

step 2



step 3



step 4

