

**FEATURES**

- ▶ Large 1", 3½ digit display for easy viewing.
- ▶ User-selectable decimal points
- ▶ User-selectable engineering units
- ▶ Optional AMBER, GREEN, RED or BLUE backlit LCD
- ▶ Wide ZERO (Offset) & SPAN (Gain) adjustment
- ▶ Standard 1/8 DIN package
- ▶ Snap-in panel mounting



**SPECIFICATIONS**

**DISPLAY**

Digits: 3 ½ digits ( $\pm 1999$  counts)  
 Type: 1" (24.9 mm) 7 segment high contrast LCD automatic, "-" displayed  
 Polarity: °F, °C, PSI, %, user-selectable or V, A, KW, PF  
 Annunciators: 3 position, user selectable  
 Decimal Points: three lower order digits blank for inputs >1999 & < -1999  
 Overrange:

**INPUTS**

Voltage Ranges: 5 V, 10 V adjustable, 200mV fixed  
 Configuration: single ended

**PERFORMANCE**

Accuracy:  $\pm(0.05\%$  of full scale + 1 count)  
 Conversion Rate: 3 per second  
 Normal Mode Rejection: >30 dB @ 60 Hz  
 Warmup: 10 minutes typical  
 Temperature Coeff.:  $\pm 100$  ppm per °C typical  
 Adjustments: 25 turn potentiometers  
 Offset Range: -1999 to +1999  
 Gain Range: 1 to 1999 (custom ranges available)

**ENVIRONMENT**

Operating Range: -10 to 50 °C  
 Storage Range: -10 to 75 °C

**POWER SUPPLY**

24 VAC/DC

**MOUNTING**

snap-in panel mount

**CONNECTION**

screw terminals

**ORDERING INFO**

PART NUMBER	BACKLIGHT COLOR	METER INPUT	METER POWER
VPI-24*AC	NONE	Voltage	24VAC/DC
VPI-A24*AC	AMBER	Voltage	24VAC/DC
VPI-B24*AC	BLUE	Voltage	24VAC/DC
VPI-G24*AC	GREEN	Voltage	24VAC/DC
VPI-R24*AC	RED	Voltage	24VAC/DC

\*Add (P) for Power Engineering Units V, A, KW, PF

**ACCESSORIES**

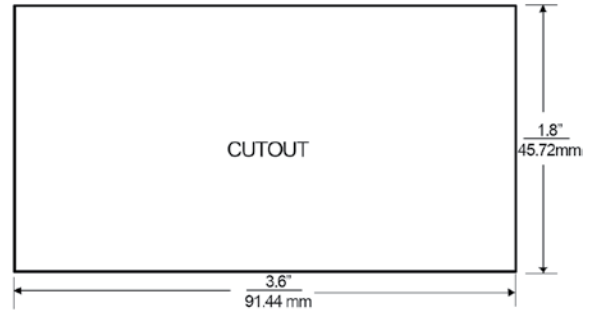
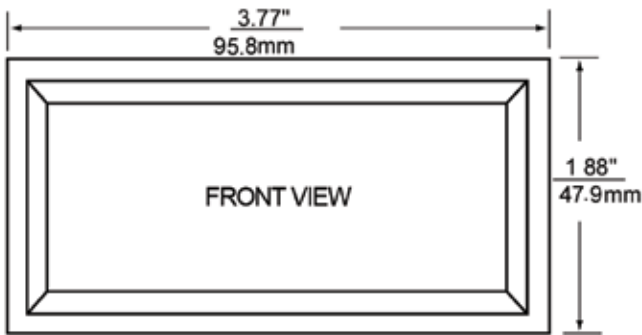
CVC ..... Calibrator



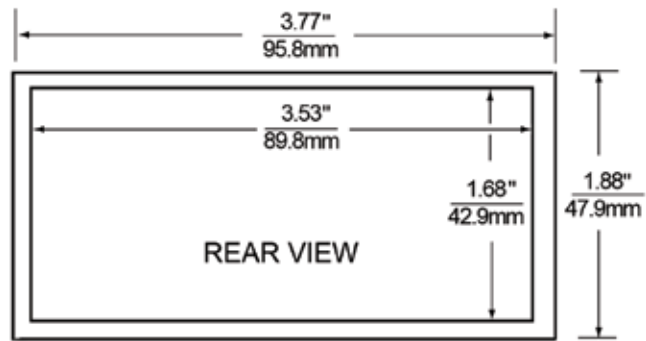
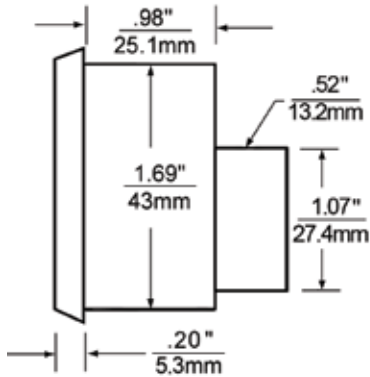
Specifications Installation and Operating Instructions  
**LCD Digital Panel Meters**  
 Large 1" - 3½ Digit AC/DC Powered, Voltage Controlled LCD DPM



**DIMENSIONS**

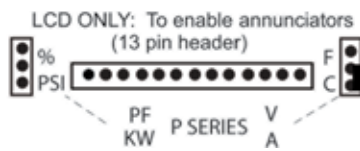


Inches  
mm



**WIRING**

**Lower Board**



**Upper Board**

