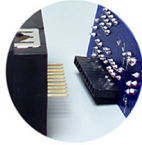


### FEATURES

- ▶ Space saving design only 1.4" (35.6mm) deep
- ▶ Occupies less than 2.5 x 1.1 inches of front panel space
- ▶ High contrast LCD
- ▶ 3½ digits with 0.39" LCD
- ▶ Snap-In bezel eliminates the need for mounting hardware
- ▶ User-selectable decimal points
- ▶ Process input (4 to 20mA) adder board with multi-turn SPAN (GAIN) and ZERO (OFFSET) adjustments
- ▶ Loop-powered



### SPECIFICATIONS

#### DISPLAY

Digits: 3 ½ digits ( $\pm 1999$  counts)  
 Type: 0.39" (10mm) high contrast reflective LCD  
 Polarity: automatic, "-" displayed.  
 Decimal Points: 3 position, user-selectable  
 Overrange: three lower order digits blank for inputs  $>1999$  &  $< -1999$

#### INPUTS

Ranges: process inputs, 4 to 20 mA  
 Configuration: bipolar, differential  
 Protection: 30 mA max.  
 Loop Burden: 300 $\Omega$  nominal @ 20 mA DC (loop powered)

#### PERFORMANCE

Accuracy:  $\pm(0.1\% + 1$  counts) typical  
 $\pm(0.2\% + 2$  counts) maximum  
 Conversion Rate: 3 per second  
 Normal Mode Rejection:  $>30$  dB @ 60 Hz  
 Adjustments: automatic  
 Warmup: 10 minutes typical  
 Temperature Coeff.:  $\pm 100$  ppm per  $^{\circ}\text{C}$  typical

#### ENVIRONMENT

Operating Range: 0 to 50  $^{\circ}\text{C}$   
 Storage Range: -10 to 60  $^{\circ}\text{C}$

#### POWER SUPPLY

powered by the 4-20mA current loop

#### MOUNTING

LCD: snap-in bezel mount  
 Process Board: plugs onto DPM pins, adds approximately 0.6" (16mm) to depth

#### CONNECTION

screw terminals on process board

### ORDERING INFO

#### PART NUMBER

LPI-1T ..... 4 to 20mA Loop Powered

#### ACCESSORIES

PW2-24 ..... Regulated 120V AC to 24V DC Power Supply  
 CVC ..... Calibrator

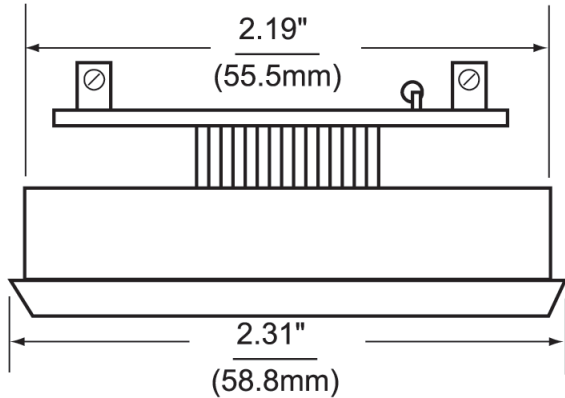
#### METER INPUT



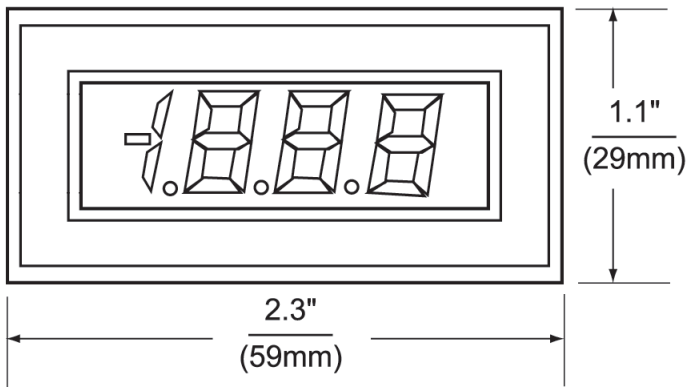
Specifications Installation and Operating Instructions  
**LCD Digital Panel Meters**  
 3½ Digit LCD with adder board for process inputs



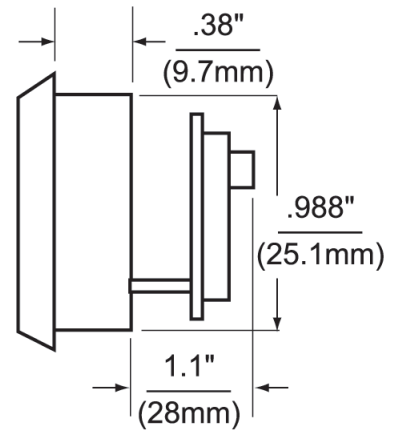
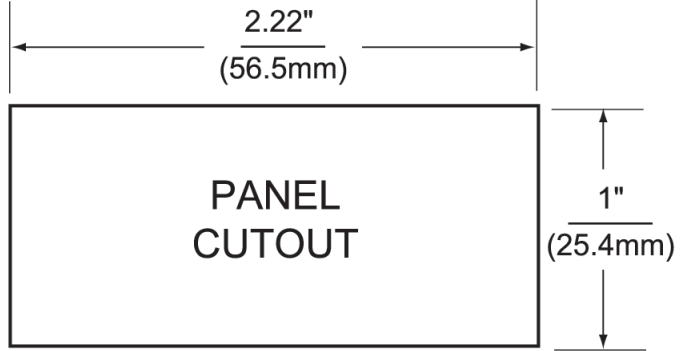
**DIMENSIONS**



**LCD DIMENSIONS**

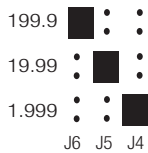


**LCD PANEL CUTOUT**



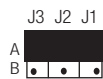
**WIRING**

**1. DECIMAL SELECTION:**



**2. J1, J2, J3 SELECTION:**

**IF:** OFFSET (ZERO) IS 0 or  
 OFFSET (ZERO) > 0 and GAIN (SPAN) ÷ OFFSET (ZERO) ≥ 5



**IF:** OFFSET (ZERO) > 0 and GAIN (SPAN) ÷ OFFSET (ZERO) < 5

