

**FEATURES**

- ▶ Low-cost, high-performance replacement for many OEM DPMs
- ▶ Surface or inside panel mounting
- ▶ Resistant to RF and EMI
- ▶ 3½ digits with high-contrast LCD
- ▶ 4-20 mA loop powered input



**SPECIFICATIONS**

**DISPLAY**

Digits: 3 ½ digits (±1999 counts)  
 Type: 0.5" (12 mm) 7 segment LCD  
 Polarity: automatic, "-" displayed  
 Decimal Points: 3 position, user selectable  
 Overrange: three lower order digits blank for inputs >1999 & < -1999

**INPUTS**

Ranges: 4-20 mA DC  
 Configuration: bipolar differential  
 Protection: 30 mA max.  
 Loop Burden: 300Ω nominal

**PERFORMANCE**

Accuracy: ±(0.1% fs + 2 count)  
 Conversion Rate: 3 per second  
 Normal Mode Rejection: >30 dB @ 60 Hz  
 Adjustments: span (gain) and zero (offset)  
 Warmup: 10 minutes typical  
 Temperature Coeff.: ±100 ppm per °C typical

**ENVIRONMENT**

Operating Range: 0 to 50 °C  
 Storage Range: -20 to 70 °C

**POWER SUPPLY**

powered by the milliamp control loop

**MOUNTING**

surface

**CONNECTION**

2 screw terminal

**ORDERING INFO**

**PART NUMBER**

LPI-F

**ACCESSORIES**

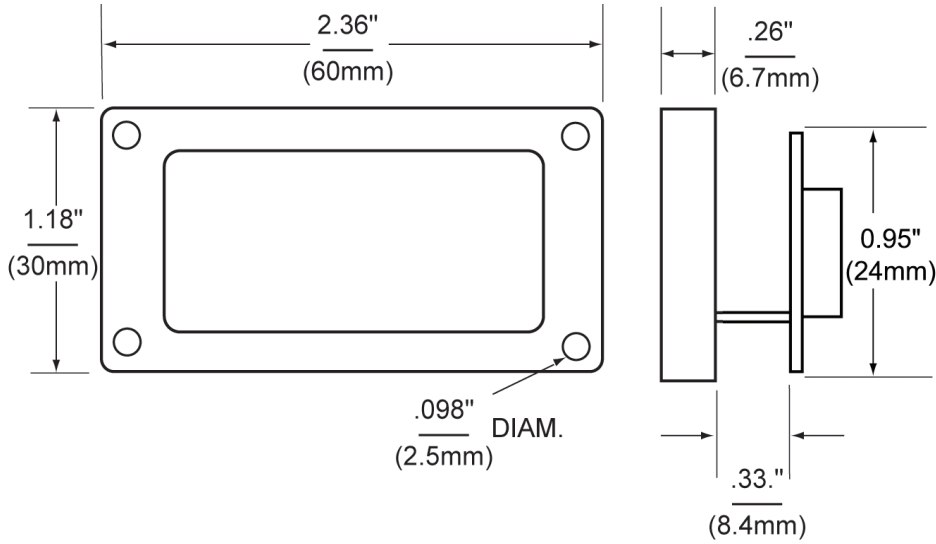
- PW2-12 ..... Regulated 120V AC to 12V DC Power Supply
- PW2-24 ..... Regulated 120V AC to 24V DC Power Supply
- PW1.0.....24V AC to adjustable DC output
- PW1.5.....24V AC to adjustable DC output
- CVC ..... Calibrator



Specifications Installation and Operating Instructions  
**LCD Digital Panel Meters**  
 3½ Digit Flat Pack LCD with Loop Powered Adder Board



**DIMENSIONS**



**JUMPER SELECTION & WIRING**

**1. DECIMAL SELECTION:**



**2. J1, J2, J3 SELECTION:**

**IF:** OFFSET (ZERO) IS 0 or  
 OFFSET (ZERO) > 0 and GAIN (SPAN) ÷ OFFSET (ZERO) ≥ 5



**IF:** OFFSET (ZERO) > 0 and GAIN (SPAN) ÷ OFFSET (ZERO) < 5

