

FEATURES

- ▶ 3½ digits with 0.56" RED or GREEN LED
- ▶ Window mount with optional bezel
- ▶ User-selectable decimal points

SPECIFICATIONS

DISPLAY

Digits: 3 ½ (±1999 count)
 Type: 7- segment LED (red or green)
 Digit Height: .56 in (14.2 mm)
 Polarity Indication: automatic "-" for neg input
 Decimal Point: 3 position selectable
 Overrange: three lower order digits blank for inputs >1999 & < -1999

SIGNAL INPUTS

Configuration: bipolar, differential
 Full-Scale Input: ±200 mV, ±2 V, ±20 V
 Input Offset Adjustment: auto zero
 Input Impedance: >100 MΩ (±200 mV), -1 MΩ (other ranges)
 Common Mode Range: ±1 VDC
 Common Mode Rejection: >86 dB
 Protection: ±350 VDC (±100 VDC for 200 mV range)
 Input Bias Current: 1 pA typical, 100 pA max
 Control Inputs: decimal point select, span adjust trimpot

PERFORMANCE

Sampling Rate: 3.3 readings / s
 Accuracy: ± (0.1% + 2 counts) typical
 ± (0.2% + 2 counts) max
 Warmup, typical: 10 min
 Temperature Drift, typical: 100 ppm / °C

POWER SUPPLY

Supply Voltage: +5 VDC ±5%
 Supply Current, typical: 200 mA

ENVIRONMENT

Operating Temperature: 0 to 50°C
 Storage Temperature: -10 to 60°C
 Relative Humidity: 0 to 95% non-condensing

PHYSICAL

Package Style: window mount
 Dimensions: 2.52 x 1.10 x .73
 Panel Cutout: 2.05 x .81
 Weight: 0.7 oz (20 g)
 Connector: J1C-10 or C10-5 optional
 Bezel: optional

CONNECTION:

10 pin

ORDERING INFO

PART NUMBER	METER COLOR	METER POWER
DMO-35HR	RED	200mV DC
DMO-36HR	RED	2V DC
DMO-37HR	RED	20V DC
DMO-35G	GREEN	200mV DC
DMO-36G	GREEN	2VDC
DMO-37G	GREEN	20VDC
3XEC.....		NEMA Enclosure

ACCESSORIES

LED-B.....	Optional Bezel Mounting Kit
C10-5.....	.5" - 10 Pin Connector / Wire Assembly
J1C10.....	12" - 10 Pin Connector / Wire Assembly
PW2-5.....	Regulated 120V AC to 5V DC Power Supply
CVC	Calibrator



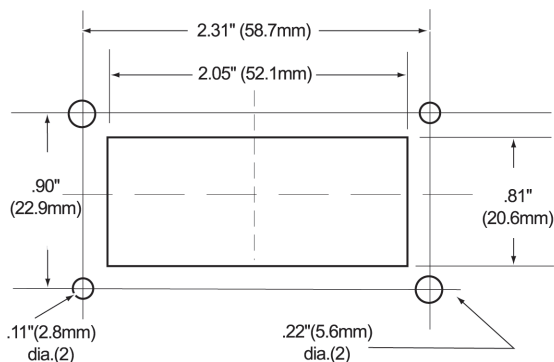
Specifications Installation and Operating Instructions

LED Digital Panel Meters

3½ Digit LED Display for voltage inputs



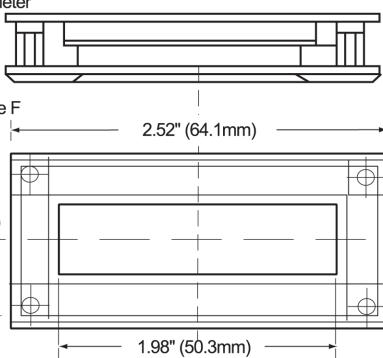
DIMENSIONS



Top View
Digital Panel Meter

2-56 UNC Type F
self-tapping
screw
installed
from rear
(2ea. provided)

Front View of
Digital Panel Meter

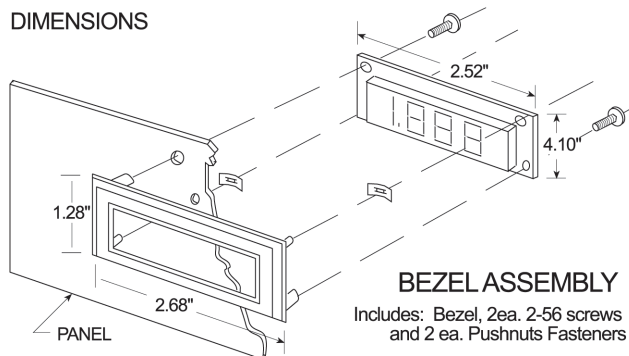


Pushnut
Fastener
mounted
from rear
(2 ea.)

Side View

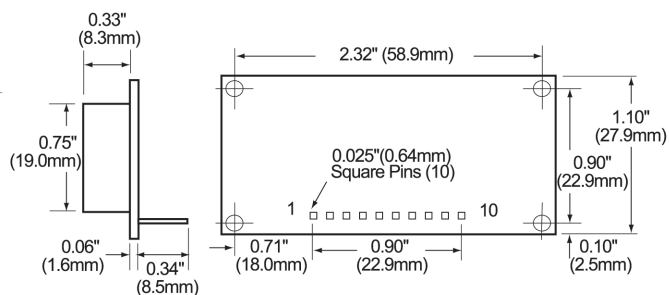
Panel
Thickness
:12" max.

DIMENSIONS



BEZEL ASSEMBLY

Includes: Bezel, 2ea. 2-56 screws
and 2 ea. Pushnuts Fasteners



WIRING

PIN # PIN NAME DESCRIPTION

PIN #	PIN NAME	DESCRIPTION
1	V+	+5V POWER SUPPLY
2	GND	POWER SUPPLY GROUND
3	DP COM	DECIMAL POINT RETURN
4	DP1	1XX.X (CONNECT TO DP COM TO TURN ON)
5	DP2	1X.XX (CONNECT TO DP COM TO TURN ON)
6	DP3	1.XXX (CONNECT TO DP COM TO TURN ON)
7	INPUT(+)	POSITIVE INPUT SIGNAL
8	INPUT(-)	NEGATIVE INPUT SIGNAL
9	NC	NO CONNECTION REQUIRED
10	NC	NO CONNECTION REQUIRED

