



### FEATURES

- ▶ 0.37", 3½ digit high intensity LED display
- ▶ Available in RED, BLUE or GREEN
- ▶ User-selectable decimal points
- ▶ Polycarbonate case
- ▶ Optional bezel mount

### SPECIFICATIONS

#### DISPLAY

Numeral Size: .37" (9.4 mm)  
 Overage: three lower order digits blank for inputs >1999 & < -1999  
 Polarity Indication: automatic (-) for negative  
 Supply Voltage: +5 VDC @ 40 mA

#### INPUTS

Input Ranges:  $\pm 200$  mV,  $\pm 2$  V,  $\pm 20$  V  
 Input Impedance: 1000 M $\Omega$  (200 mV)  
 1 M $\Omega$  (other ranges)  
 Common Mode Range:  $\pm 1$  VDC

#### PERFORMANCE

Accuracy:  $\pm 1\%$  F.S.  $\pm 2$  counts  
 Sampling Rate: 3 per second

#### ENVIRONMENT

Operating Temperature: 0 to 50 °C  
 Max Humidity: 95% (non-condensing)

#### CONNECTION

12 pin

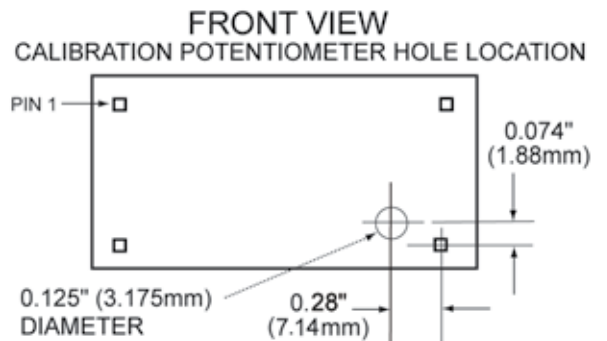
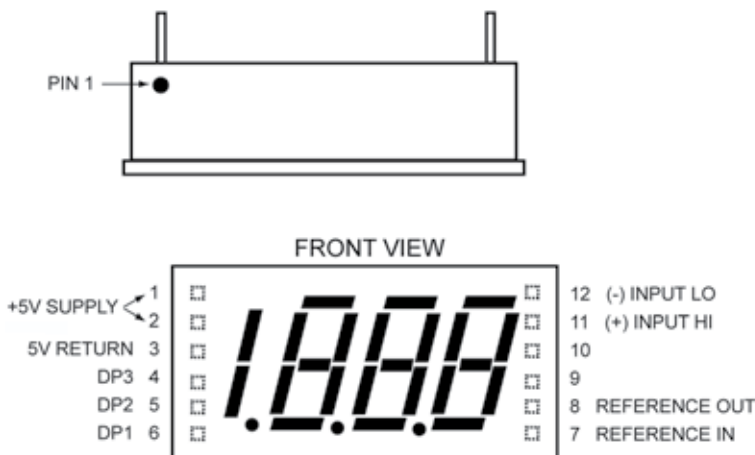
### ORDERING INFO

PART NUMBER	METER COLOR	METER INPUT
DLA-200B.....	BLUE.....	200mV
DLA-201B.....	BLUE.....	2V
DLA-202B.....	BLUE.....	20V
DLA-200G.....	GREEN.....	200mV
DLA-201G.....	GREEN.....	2V
DLA-202G.....	GREEN.....	20V
DLA-200R.....	RED.....	200mV
DLA-201R.....	RED.....	2V
DLA-202R.....	RED.....	20V

#### ACCESSORIES

DLA-BEZ-20-G.....	Bezel Assembly
PW2-5.....	Regulated 120V AC to 5V DC Power Supply
CVC.....	Calibrator

### WIRING



To enable DPs (Pin 4-6) connect to Pin 3 (5V return)  
 Pin 3 should be tied to Pin 12 for normal operation  
 Connect Pins 7 & 8



Specifications Installation and Operating Instructions  
**LED Digital Panel Meters**  
 DLA-200LED SERIES - 3½ Digit LED Display



**DIMENSIONS**

