



### FEATURES

- ▶ 0.37", 3½ digit high contrast LCD
- ▶ Optional positive green backlight
- ▶ User-selectable decimal points
- ▶ Polycarbonate case
- ▶ Optional bezel mount

### SPECIFICATIONS

#### DISPLAY

Numeral Size: .37" (9.4 mm)  
 Overrange: three lower order digits blank for inputs >1999 & < -1999  
 Polarity Indication: automatic (-) for negative  
 Supply Voltage: +5 VDC @2mA  
 (10mA with backlight option)

#### INPUTS

Input Ranges: ±200 mVdc, ± 2Vdc, ±20Vdc, ±200Vdc  
 Input Impedance: 1000 MΩ (200 mV)  
 1 MΩ (other ranges)  
 Common Mode Range: ± 1 Vdc

#### PERFORMANCE

Accuracy: ±1% F.S. ± 2 counts  
 Sampling Rate: 3 per second

#### ENVIRONMENT

Operating Temperature: 0 to 50 °C  
 Max Humidity: 95% (non-condensing)

#### CONNECTION

12 pin

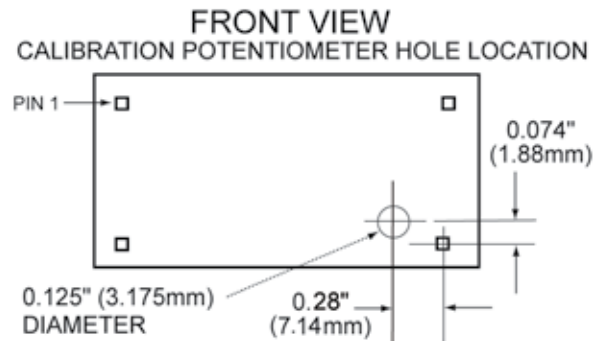
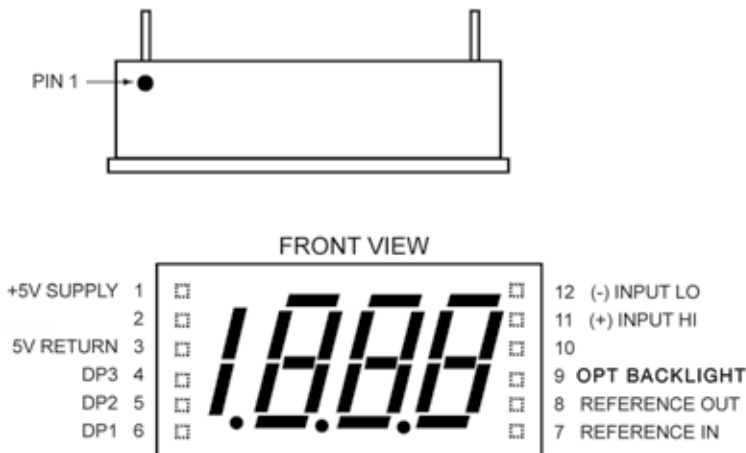
### ORDERING INFO

PART NUMBER	BACKLIGHT	METER INPUT
DLA-200LCD.....	NONE .....	±200mV
DLA-200LCD-L .....	.5V POSITIVE GREEN.....	±200mV
DLA-201LCD.....	NONE .....	±2V
DLA-201LCD-L .....	.5V POSITIVE GREEN.....	±2V
DLA-202LCD.....	NONE .....	±20V
DLA-202LCD-L .....	.5V POSITIVE GREEN.....	±20V
DLA-203LCD.....	NONE .....	±200V
DLA-203LCD-L .....	.5V POSITIVE GREEN.....	±200V

#### ACCESSORIES

DLA-BEZ-20-G .....	Bezel Assembly
PW2-5.....	Regulated 120V AC to 5V DC Power Supply
CVC .....	Calibrator

### WIRING



To enable DPs (Pin 4-6) connect to Pin 3 (5V return)  
 Pin 3 should be tied to Pin 12 for normal operation  
 Connect Pins 7 & 8  
 To enable optional backlight, connect Pin 9 to Pin 3

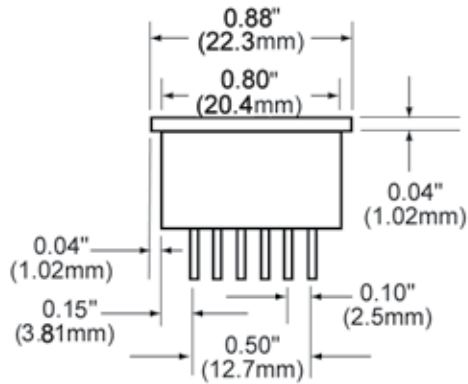


Specifications Installation and Operating Instructions  
**LCD Digital Panel Meters**

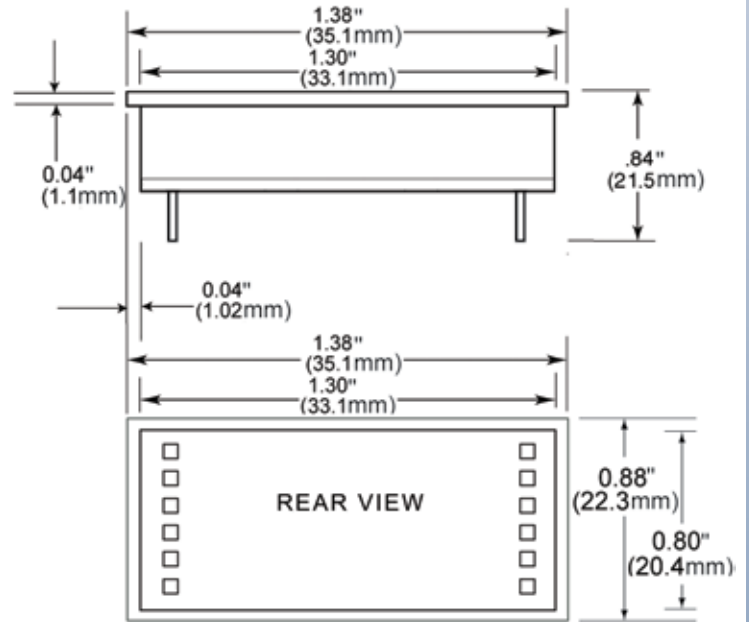
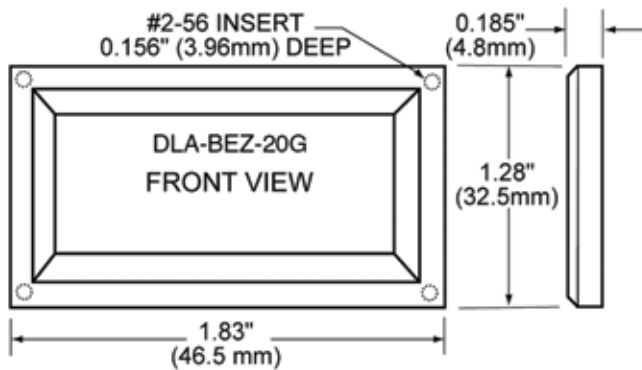
DLA-200LCD SERIES - 3½ Digit LCD



**DIMENSIONS**



**BEZEL ASSEMBLY**



**BEZEL ASSEMBLY**

