



FEATURES

- ▶ Screw terminals
- ▶ Available in easy to read RED, BLUE or GREEN LED
- ▶ Full-wave averaging
- ▶ Self Powered

SPECIFICATIONS

DISPLAY

Numeral Size: .37" (9.4 mm)
 Overrange: three lower order digits blank
 Freq Range: 47-63Hz
 Supply Voltage: self powered

INPUTS

Input Ranges: 85-264Vrms

PERFORMANCE

Accuracy: $\pm 1V$ (Typ) $\pm 2V$ (Max)
 Sampling Rate: 2.5 per second
 Measurement Type: full wave averaging

ENVIRONMENT

Operating Temperature: -10 to 50 °C
 Max Humidity: 95% (non-condensing)

CONNECTION

2 screw terminals

ORDERING INFO

PART NUMBER	METER COLOR	METER INPUT
DLA20-LM-R-1	RED	85-264Vrms
DLA20-LM-B-1	BLUE	85-264Vrms
DLA20-LM-G-1	GREEN	85-264Vrms

ACCESSORIES INCLUDED

DLA-BEZ-20-G	Bezel Assembly
--------------------	----------------

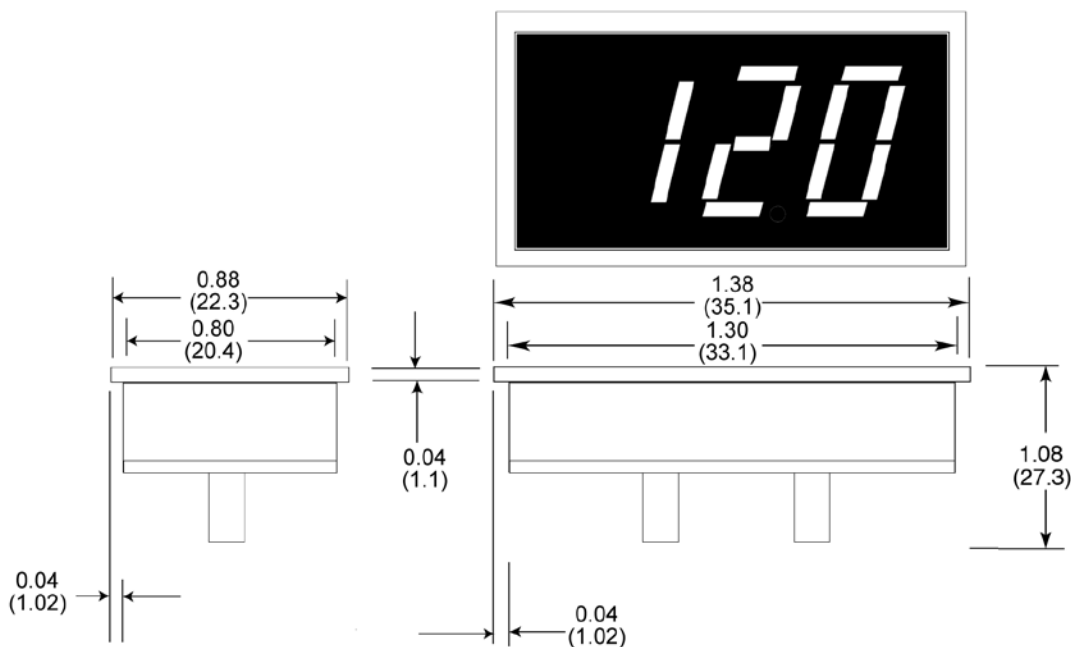


Specifications Installation and Operating Instructions
LED Digital Panel Meters
 DLA20-LM SERIES - Self Powered, 3 Digit LED Display, AC Line Voltage

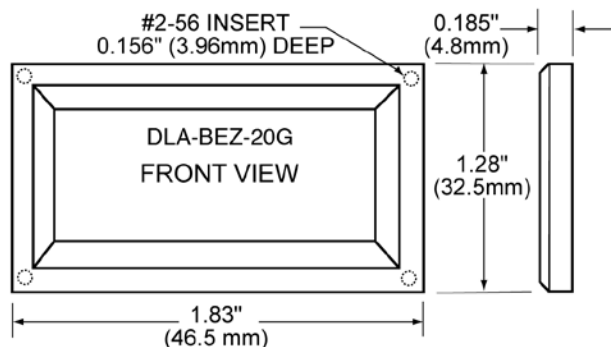


DIMENSIONS

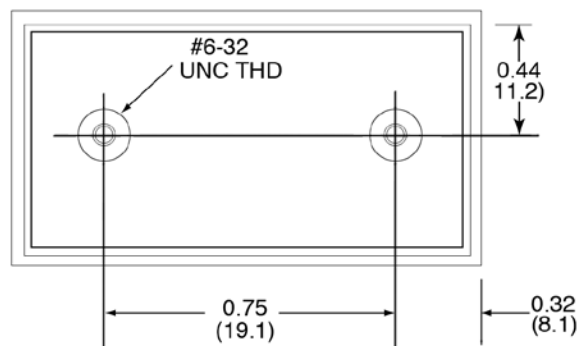
FRONT VIEW



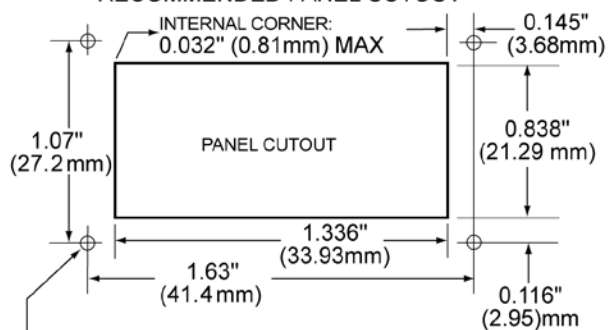
BEZEL ASSEMBLY



BACK VIEW



RECOMMENDED PANEL CUTOUT



0.093 (2.362) DIAMETER (4 REQUIRED)
 ONLY WHEN USING BEZEL ASSEMBLY