

### FEATURES

- ▶ Scales and displays the output of 50:5A to 2000:5A current transformers
- ▶ 14 ranges (0-50 Amp to 0-2000 Amp)
- ▶ Available in easy to read RED, BLUE or GREEN LED
- ▶ Can be self-powered

The DLA20-ACA5 Series AC Ammeters are designed to scale and digitally display the output of standard, 5A-output current transformers (50:5A, 500:5A, 1000:5A, etc.).

### SPECIFICATIONS

#### DISPLAY

Numeral Size: .37" (9.4 mm)  
 Overrange: three lower order digits blank  
 Supply Voltage: 85-264 Vac 50/60Hz

#### INPUTS

Input Ranges: see ordering guide  
 0-5ACA input

#### PERFORMANCE

Accuracy:  $\pm 0.2\%$  FS  $\pm 6$  counts  
 Sampling Rate: 2.5 per second

#### ENVIRONMENT

Operating Temperature: -10 to 50 °C  
 Max Humidity: 95% (non-condensing)

#### CONNECTION

2 Terminal Power, Thru-Hole CT Input

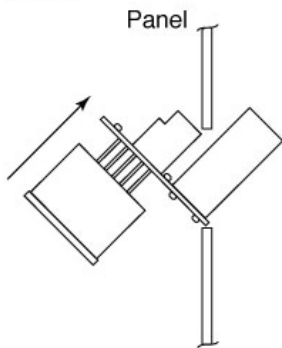
### ORDERING INFO

PART NUMBER	METER COLOR	METER INPUT
DLA20-ACA5- <b>X</b> -AC1-R.....	RED	Replace " <b>X</b> " with corresponding number for meter input choice
DLA20-ACA5- <b>X</b> -AC1-B.....	BLUE	
DLA20-ACA5- <b>X</b> -AC1-G.....	GREEN	
		1 = 50.0A            8 = 400A
		2 = 75.0A            9 = 500A
		3 = 100.0A          10 = 600A
		4 = 150.0A          11 = 750A
		5 = 199.9A          12 = 1000A
		6 = 250A             13 = 1500A
		7 = 300A             14 = 1999A
<b>ACCESSORIES INCLUDED</b>		
DLA-BEZ-20-G Bezel Assembly		

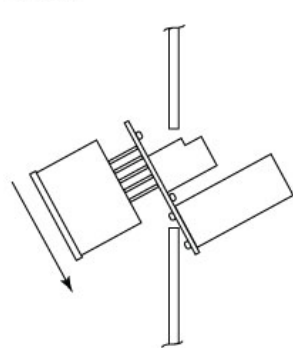
### PANEL INSTALLATION

All connections to ammeters must be made after the ammeter is securely attached to the panel and with all load and supply voltages de-energized (off).

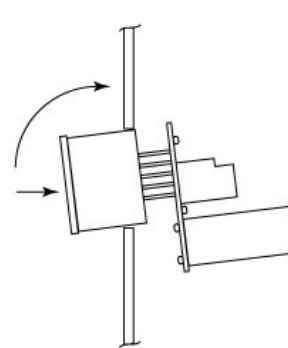
Step 1



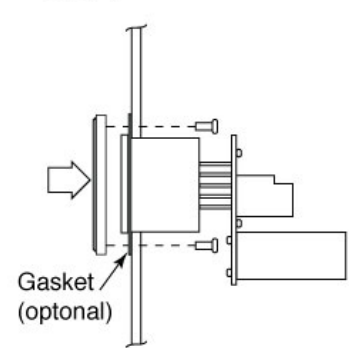
Step 2



Step 3



Step 4

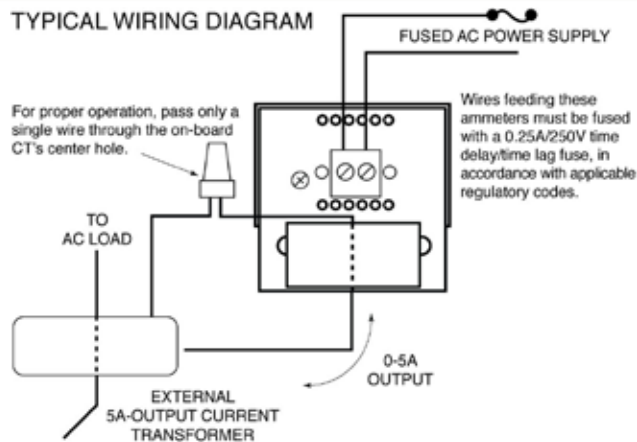


# Specifications Installation and Operating Instructions LED Digital Panel Meters

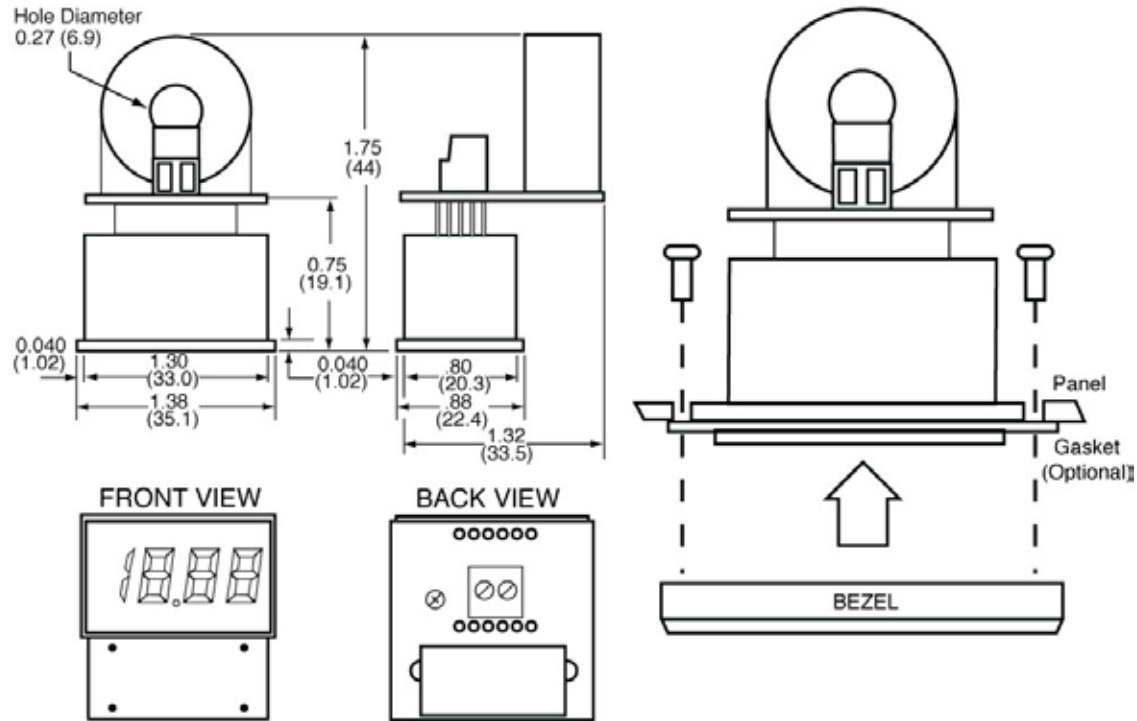
DLA20-ACA5 SERIES - LED Display, DC Ammeters



## DIMENSIONS & WIRING



## MECHANICAL SPECIFICATIONS



## BEZEL INSTALLATION AND RECOMMENDED DRILL AND PANEL CUTOUT

