

FEATURES

- ▶ Low-cost, high-performance miniature snap-in DPM with annunciators
- ▶ Snap-in bezel mount eliminates mounting hardware
- ▶ Space-saving design: only .5" deep
- ▶ Occupies less than 1.75 X .95 inches of front panel space
- ▶ 3½ digits with high-contrast LCD
- ▶ Annunciators and decimal points



SPECIFICATIONS

DISPLAY

Digits: 3 ½ digits (±1999 counts)
 Type: 0.38" (9 mm) high-contrast reflective LCD
 Polarity: automatic, "-" displayed
 Decimal Points: 3 position, user-selectable
 Annunciators: BAT, °C, °F, ~, m, μ, MΩ, KΩ, V, A, HOLD, user-selectable
 Overrange: three lower order digits blank for inputs >1999 & < -1999
 Hold: available OEM option, contact factory

INPUTS

Ranges: ±200.0 mV, ±2.000 V
 Configuration: bipolar differential
 Protection: ±350 VDC, (±100 VDC on 200 mV range)
 Impedance: >10 MΩ, (>1 MΩ, on 2 V range)

PERFORMANCE

Accuracy: ±(0.1% +1 count) typical
 ±(0.1% + 2 counts) maximum
 Conversion Rate: 2.5 per second
 Normal Mode Rejection: >30 dB @ 60 Hz
 Common Mode Range: ±1 VDC
 Common Mode Rej.: >86 dB
 Zero Adjustment: automatic
 Warmup: 10 minutes typical
 Temperature Coeff.: ±100 ppm per °C typical

ENVIRONMENT

Operating Range: 0 to 50 °C
 Storage Range: -20 to 70 °C

POWER SUPPLY

5V powered: +5 VDC (± 5%) at 5 mA
 9V powered: +7.2-12 VDC at 300 μA

MOUNTING

snap-In bezel mount

CONNECTION

26 pins, in 2 rows

ORDERING INFO

PART NUMBER	METER INPUT	METER POWER
6M0040.....	200mV	+5VDC
6M0140.....	.2V.....	+5VDC
6M0050.....	200mV	9VDC
6M0150.....	.2V.....	9VDC

ACCESSORIES

PW2-5.....	Regulated 120V AC to 5V DC Power Supply
PW2-12.....	Regulated 120V AC to 12V DC Power Supply
CVC	Calibrator



Specifications Installation and Operating Instructions

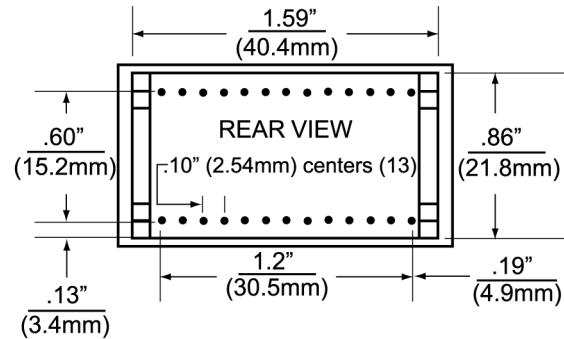
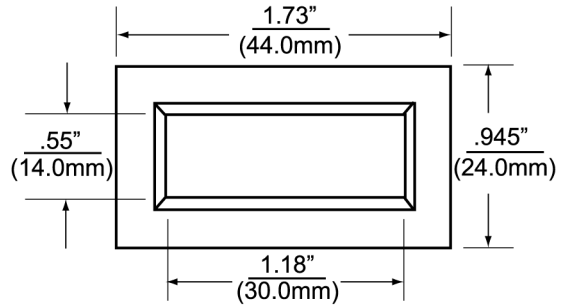
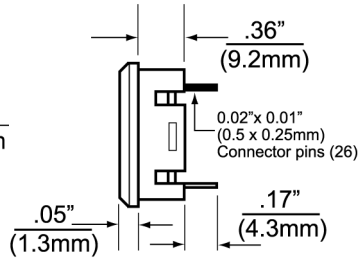
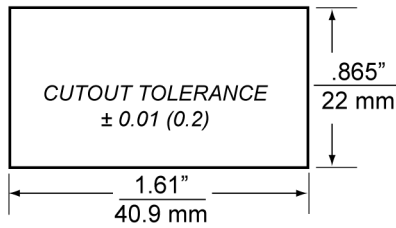
LCD Digital Panel Meters

Miniature Bezel Mount 3½ Digit LCD

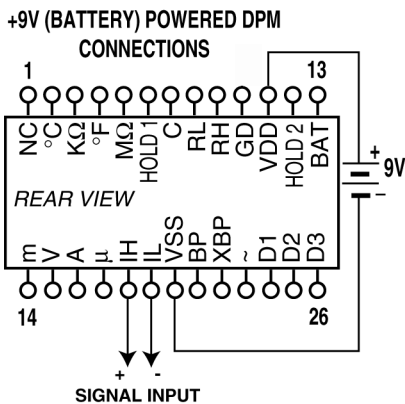
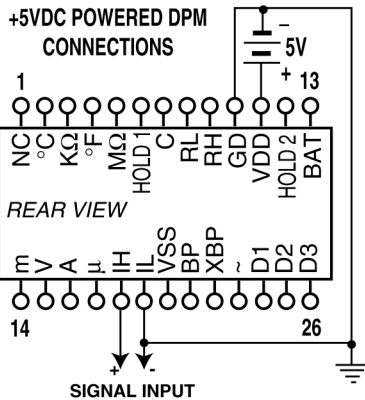


DIMENSIONS & WIRING

PANEL CUTOUT



MINI 26-PIN DPM CONNECTIONS



CONNECTION DESCRIPTIONS

PIN # PIN NAME DESCRIPTION

PIN #	PIN NAME	DESCRIPTION
1		NO CONNECTION
2	°C	ANNUNCIATOR
3	KΩ	ANNUNCIATOR
4	°F	ANNUNCIATOR
5	MΩ	ANNUNCIATOR
6	HOLD1	CONNECT TO VDD TO HOLD DISPLAY
7	C	ANALOG COMMON
8	RL	REFERENCE LOW TERMINAL
9	RH	REFERENCE HIGH TERMINAL
10	GD	NEG POWER SUPPLY FOR 5V DPMS
11	VDD	POSITIVE DPM POWER SUPPLY
12	HOLD2	"HOLD" ANNUNCIATOR
13	BAT	ANNUNCIATOR
14	m	ANNUNCIATOR
15	V	ANNUNCIATOR
16	A	ANNUNCIATOR
17	μ	ANNUNCIATOR
18	IH	POSITIVE INPUT SIGNAL
19	IL	NEGATIVE INPUT SIGNAL
20	VSS	NEGATIVE POWER SUPPLY FOR 9V
21	BP	LCD BACKPLANE
22	XBP	ANNUNCIATOR & DECIMAL POINT DRIVER
23	~	ANNUNCIATOR
24	D1	1.XXX
25	D2	1X.XX
26	D3	1XX.X

} DECIMAL POINT

NOTES:

- INPUT MUST BE ISOLATED FROM SUPPLY ON 9V POWERED DPM.
- DISPLAY HOLDS READING WHEN "HOLD1" IS HIGH (CONNECTED TO "VDD"). READINGS ARE UPDATED WHEN OPEN. (OPTIONAL)
- INPUT COMMON MODE RANGE IS ±1 V DC ON +5V POWERED DPMS.
- TO TURN ON DECIMAL POINTS OR ANNUNCIATORS, CONNECT TO "XBP".