

RIFFE

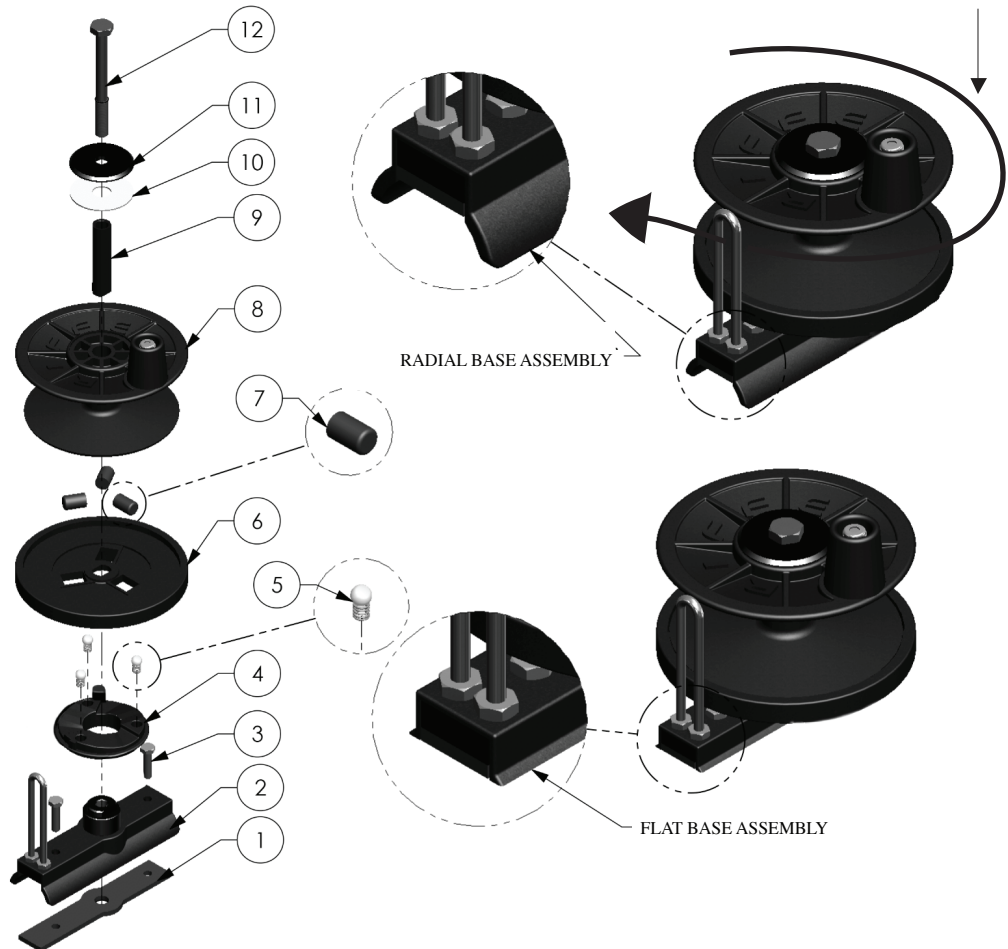
RIFFE HORIZONTAL REEL INSTALLATION GUIDE

(RL-1500 / RL1500R)
(RL-1600 / RL-1600R)

RIFFE International Inc.
1214 Puerta Del Sol, San Clemente, CA 92673
info@speargun.com www.riffeinternational.com

REEL EXPLODED VIEW

- 12. REEL AXIS BOLT
- 11. THRUST WASHER
- 10. TEFLON WASHER
- 9. BEARING TUBE
- 8. SPOOL & KNOB ASSEMBLY
- 7. DRAG ROLLERS
- 6. DRAG CONTROL PLATE
- 5. SPRING BALLS
- 4. DRAG LEVER
- 3. SCREWS
- 2. MOUNTING BASE ASSEMBLY
- 1. GASKET



INSTALLING REEL BASE

****If you have an 8mm wrench that will fit under the Drag Control Plate to access the screws, you do not need to disassemble the Reel.**

1,2. Remove Reel Axis Bolt and washers

3. Lift off Spool from Reel and Remove Drag Rollers and Reel Drag Control Plate.

4. Remove Drag Lever with Ball Springs

If no inserts are installed on the speargun stock, follow steps below. If inserts are already installed, go to step B

A. Place Base Assembly at desired position on speargun and mark holes.

Pre-drill pilot holes using an 1/8" drill

B. Line up base and install with #10 screws (included).

C. Replace Drag Lever with Spring Balls. Lever must be at "Free Spool" position.

D. Replace Reel Drag Control Plate.

NOTE: Continuous downward tension must be placed on the Reel Drag Control Plate, compressing the Spring Balls, until the Reel Axis Bolt is installed. If you lose tension, check to make sure the Drag Plate has not lifted off the Base.

E. Insert Bearing Tube. Make sure flat on Bearing Tube is lined up with flat on slot

F. Set Drag Rollers in place. Make sure the flat end is facing the center of reel.

G. Replace Spool and Washers

Replace Reel Axis Bolt using 1/2" wrench to tighten down securely

Test the tension on the Drag Lever to ensure the parts have been installed correctly.

NOTE: If removing Reel from a wood stock, holes left unrepaired may cause damage to stock.

Horizontal Flat Mount is shown in diagrams. Radial Mount installation follows same instructions

NOTE: Spooling Reel Line. When speargun is placed on table with reel facing up, reel line should be spooled winding counter clockwise.

