

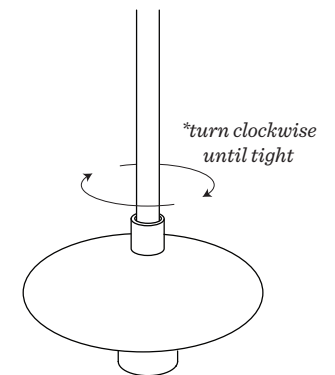
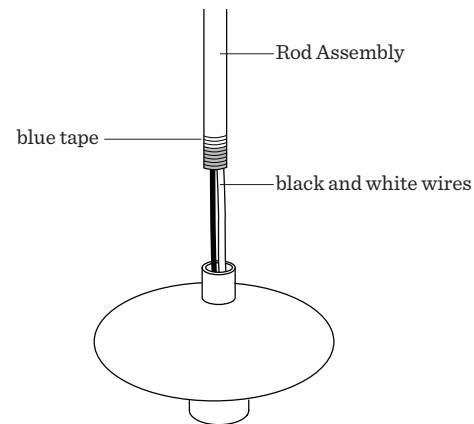
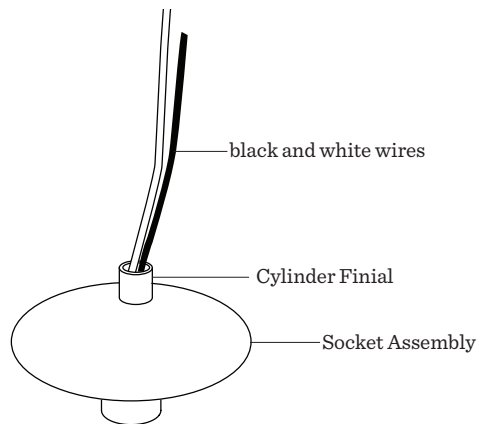
## NOTES:

The blue tape on the stem assembly threads will lock the two pieces together.

**DO NOT REMOVE THE BLUE TAPE!**

## ASSEMBLY INSTRUCTIONS

1. Place the pendant Socket Assembly on a flat surface with the Cylinder Finial facing up.
2. Feed the black and white wires through the Rod Assembly until both wires exit the top. Push the Rod Assembly down towards the brass coupling.
3. Thread the Rod Assembly into the Cylinder Finial by turning the Rod Assembly clockwise until it is tight.
4. Install fixture with enclosed wiring kit. Consult an electrician if needed.



5. Install light bulb prior to installing the glass shade. We recommend wearing protective gloves and safety glasses. Unscrew the Cylinder Finial above the dome-shaped Shade Cap. Slide finial and cap upwards.

6. Tip the shade at an angle and carefully slide the shade opening around bulb, socket, and Shade Holder.

7. Gently settle shade onto Shade Holder so that the circular part of the holder fits into the shade opening.

8. Lower the Shade Cap down so that the Threaded Stem fits through the hole in the center. Screw on the Cylinder Finial.

