

SCHOOLHOUSE



Freeport Small Door Set with Egg Knob + Deadbolt

Product Origin:

- Assembled in the USA from parts made in China
- Made by Emtek
- Ships direct from the manufacturer

Requires:

- Standard door preparation and installation
- Single 2-1/8" bore hole and 1" edge bore
- 1-3/8" - 2-1/8" door thickness

Includes:

- Solid brass cylinder, housing, collar, thumbturn and backplate
- Hardened steel bolt
- Heavy gauge steel understrike and brass trim strike
- Extension collar for thin doors (1-3/8"-1-3/4")
- 2-1/4" deadbolt mounting screws
- Schlage C Keyway and 2 keys

Warranty:

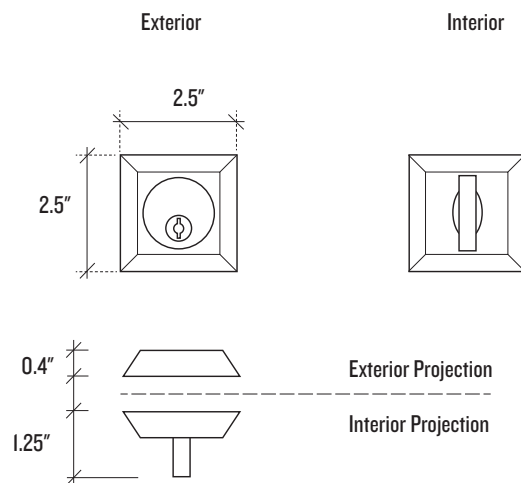
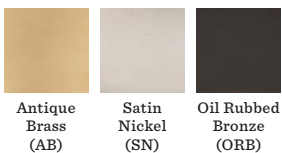
- Emtek Lifetime Limited Warranty

Made to order and non-returnable



Backset	2-3/8" or 2-3/4"
Backplate Dimensions	2.5" W x 2.5" H
Backplate Thickness	0.4"
Ext. Trim Projection	0.4"
Int. Trim Projection	1.25"

Finish Options



SCHOOLHOUSE



Freeport Small Door Set with Egg Knob— Passage

Passage sets are non-locking and are primarily used on interior doors.

Product Origin:

- Assembled in the USA from parts made in China
- Made by Emtek
- Ships direct from the manufacturer

Requires:

- Standard door preparation and installation
- Single 2-1/8" bore hole and 1" edge bore
- 1-3/8" – 1-3/4" door thickness

Complete Set Includes:

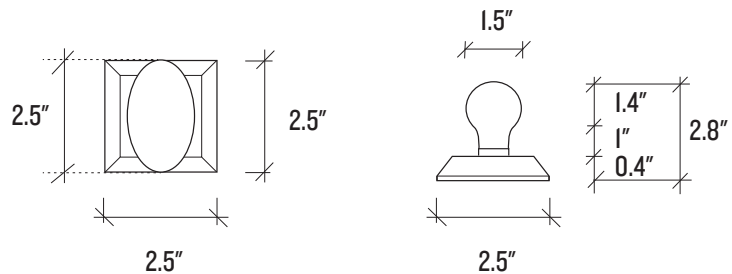
- Latch plate
- Full-lip strike plate
- Inside passage half spindle
- 1" wood screws

Warranty:

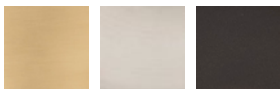
- Emtek Lifetime Limited Warranty

Made to order and non-returnable

Backset	2-3/8" or 2-3/4"
Backplate Dimensions	2.5" W x 2.5" H
Backplate Thickness	0.4"
Knob Dimensions	1.50" W x 2.50" H
Projection	2.8"



Finish Options



Antique Brass (AB) Satin Nickel (SN) Oil Rubbed Bronze (ORB)