

SCHOOLHOUSE



Freeport Large Door Set with Portsmouth Knob—Passage

Passage sets are non-locking and are primarily used on interior doors or on exterior doors paired with a coordinating deadbolt.

Product Origin:

- Assembled in the USA from parts made in China
- Made by Emtek
- Ships direct from the manufacturer

Requires:

- Standard door preparation and installation
- Single 2-1/8" bore hole and 1" edge bore
- 1-1/4" - 1-3/4" door thickness

Complete Set Includes:

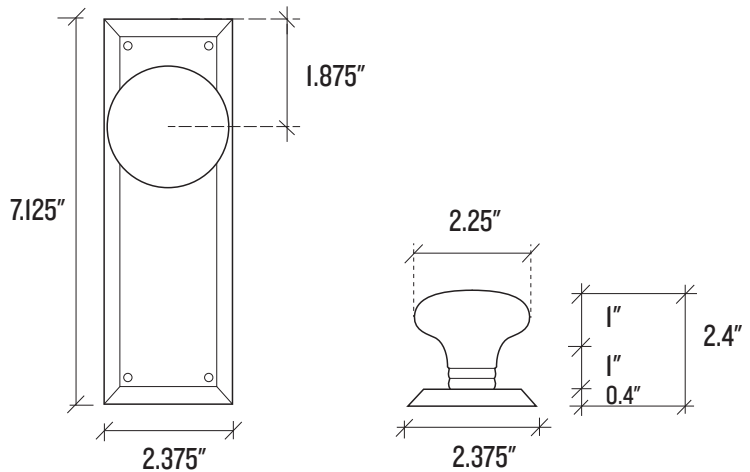
- Latch plate
- Full-lip strike plate
- Inside passage half spindle
- 1" wood screws

Warranty:

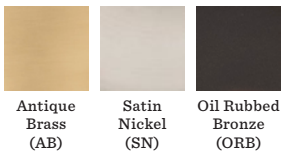
- Emtek Lifetime Limited Warranty

Made to order and non-returnable

Backset	2-3/4" or 2-3/8"
Backplate Dimensions	2.375" W x 7.125" H
Backplate Thickness	0.4"
Knob Dimensions	2.25" Dia.
Projection	2.4"



Finish Options



SCHOOLHOUSE



Freeport Large Door Set with Portsmouth Knob—Privacy

Privacy sets lock with a privacy pin and are primarily used on bedroom and bathroom doors.

Product Origin:

- Made by Emtek
- Assembled in the USA from parts made in China
- Ships direct from the manufacturer

Requirements:

- Standard door preparation and installation
- Single 2-1/8" bore hole and 1" edge bore
- 1-1/4" - 1-3/4" door thickness

Complete Set Includes:

- Latch plate
- Full-lip strike plate
- Privacy pin
- Inside passage half spindle
- 1" wood screws

Warranty:

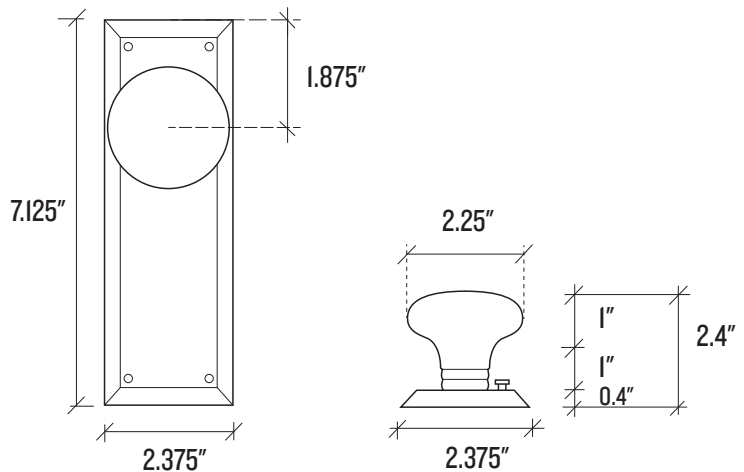
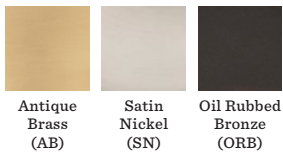
- Emtek Lifetime Limited Warranty

Made to order and non-returnable



Backset	2-3/4" or 2-3/8"
Backplate Dimensions	2.375" W x 7.125" H
Backplate Thickness	0.4"
Knob Dimensions	2.25" Dia.
Projection	2.4"

Finish Options



SCHOOLHOUSE



Freeport Large Door Set with Portsmouth Knob—Dummy, Pair, Non-Keyed

Dummy sets are non-turning and balance the look of double doors. Proportions of non-keyed dummy sets match those of passage sets.

Product Origin:

- Assembled in the USA from parts made in China
- Made by Emtek
- Ships direct from the manufacturer

Requirements:

- Surface mounted; No bore hold required

Complete Set Includes:

- Mounting kit

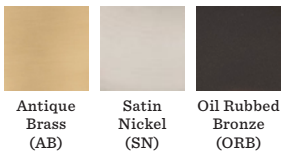
Warranty:

- Emtek Lifetime Limited Warranty

Made to order and non-returnable

Backplate Dimensions	2.375" W x 7.125" H
Backplate Thickness	0.4"
Knob Dimensions	2.25" Dia.
Projection	2.4"

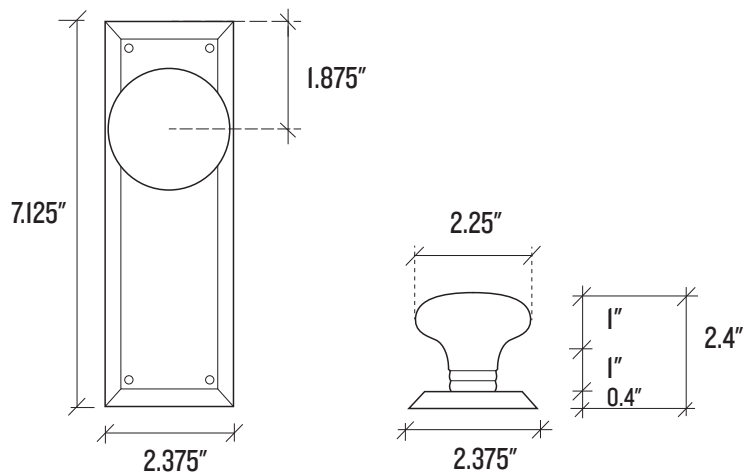
Finish Options



Antique
Brass
(AB)

Satin
Nickel
(SN)

Oil Rubbed
Bronze
(ORB)



SCHOOLHOUSE



Freeport Large Door Set with Portsmouth Knob—Keyed

Keyed sets lock with a single cylinder deadbolt and are primarily used on exterior doors.

Product Origin:

- Assembled in the USA from parts made in China
- Made by Emtek
- Ships direct from the manufacturer

Requires:

- Standard door preparation and installation
- Two 2-1/8" bore holes and 1" edge bores; 3 5/8" center-to-center hole spacing
- 1-1/4"– 1-3/4" door thickness

Complete Set Includes:

- Latch plate
- Full-lip strike plate
- Inside passage half spindle
- 1" wood screws
- 2-1/4" deadbolt mounting screws, extension collar and deadbolt strike plate
- Schlage C Keyway and 2 keys

Warranty:

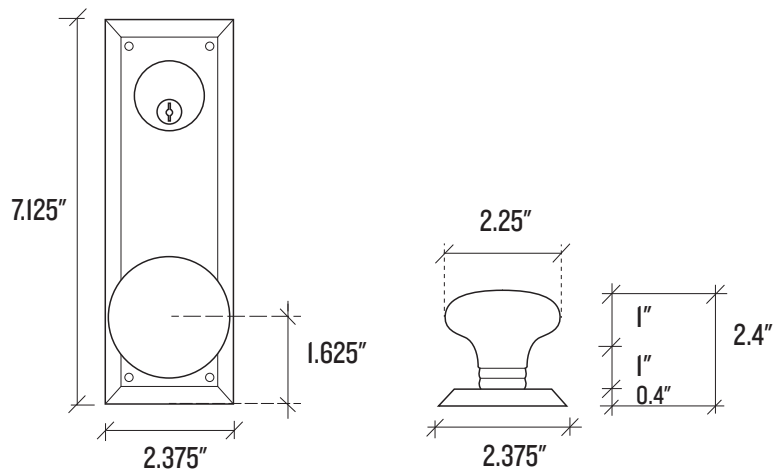
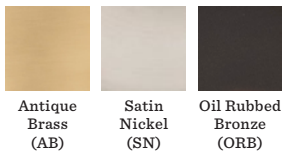
- Emtek Lifetime Limited Warranty

Made to order and non-returnable



Backset	2-3/4" or 2-3/8"
Backplate Dimensions	2.375" W x 7.125" H
Backplate Thickness	0.4"
Knob Dimensions	2.25" Dia.
Projection	2.4"

Finish Options





Freeport Large Door Set with Portsmouth Knob—Dummy, Pair, Keyed

Dummy sets are non-turning and balance the look of double doors. Proportions of keyed dummy sets match those of keyed sets.

Product Origin:

- Assembled in the USA from parts made in China
- Made by Emtek
- Ships direct from the manufacturer

Requirements:

- Surface mounted; No bore hold required

Complete Set Includes:

- Mounting kit

Warranty:

- Emtek Lifetime Limited Warranty

Made to order and non-returnable

Backplate Dimensions	2.375" W x 7.125" H
Backplate Thickness	0.4"
Knob Dimensions	2.25" Dia.
Projection	2.4"

Finish Options

