

SCHOOLHOUSE



Freeport Entrance Handleset with Portsmouth Knob—Keyed

Keyed entrance handlesets lock with a single cylinder deadbolt and are primarily used on exterior doors.

Product Origin:

- Assembled in the USA from parts made in China
- Made by Emtek
- Ships direct from the manufacturer

Requires:

- Standard door preparation and installation
- Two 2-1/8" bore holes with 5-1/2" center to center hole spacing
- 1-3/4" – 2-1/8" door thickness

Complete Set Includes:

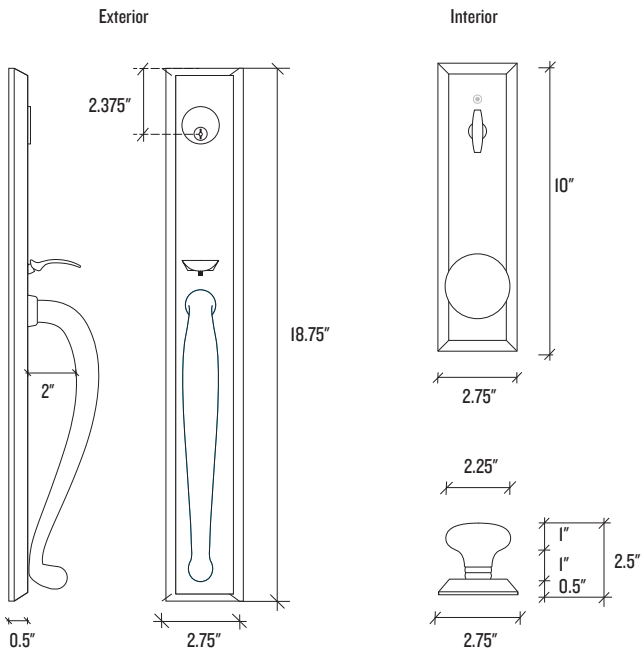
- Latch plate
- Full-lip strike plate
- Outside entry spindle
- Inside passage half spindle
- 1-1/2" backplate screws
- 2-1/4" deadbolt mounting screws, extension collar and deadbolt strike plate
- Schlage C Keyway and 2 keys

Warranty:

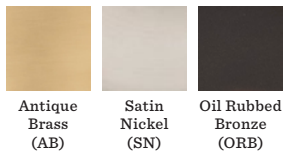
- Emtek Lifetime Limited Warranty

Made to order and non-returnable

Backset	2-3/8" or 2-3/4"
Backplate Dimensions	Exterior: 2.75" W x 18.75" H Interior: 2.75" W x 10" H
Backplate Thickness	0.5"
Exterior Trim Projection	2.75"
Interior Trim Projection	2.5"
Knob Dimensions	2.25" Dia.
Clearance Dimensions	2"



Finish Options



SCHOOLHOUSE



Freeport Entrance Handleset with Portsmouth Knob—Dummy

Dummy entrance handlesets feature non-functioning exteriors and non-turning interiors and balance the look of double doors.

Product Origin:

- Assembled in the USA from parts made in China
- Made by Emtek
- Ships direct from the manufacturer

Requires:

- Standard door preparation and installation
- Two 2-1/8" bore holes with 5-1/2" center-to-center hole spacing
- No edge bores

Complete Set Includes:

- 1-1/2" backplate screws

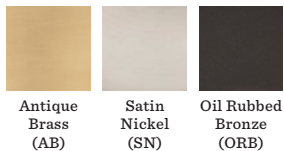
Warranty:

- Emtek Lifetime Limited Warranty

Made to order and non-returnable

Backplate Dimensions	Exterior: 2.75" W x 18.75" H Interior: 2.75" W x 10" H
Backplate Thickness	0.5"
Exterior Trim Projection	2.75"
Interior Trim Projection	2.5"
Knob Dimensions	2.25" Dia
Clearance Dimensions	2"

Finish Options



Antique
Brass
(AB)

Satin
Nickel
(SN)

Oil Rubbed
Bronze
(ORB)

