

SCHOOLHOUSE



Freeport Entrance Handleset with Abbott Lever—Keyed

Keyed entrance handlesets lock with a single cylinder deadbolt and are primarily used on exterior doors.

Product Origin:

- Assembled in the USA from parts made in China
- Made by Emtek
- Ships direct from the manufacturer

Requires:

- Standard door preparation and installation
- Two 2-1/8" bore holes with 5-1/2" center to center hole spacing
- 1-3/4" – 2-1/8" door thickness

Complete Set Includes:

- Latch plate
- Full-lip strike plate
- Outside entry spindle
- Inside passage half spindle
- 1-1/2" backplate screws
- 2-1/4" deadbolt mounting screws, extension collar and deadbolt strike plate
- Schlage C Keyway and 2 keys

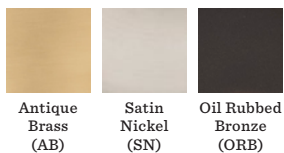
Backset	2-3/8" or 2-3/4"
Backplate Dimensions	Exterior: 2.75" W x 18.75" H Interior: 2.75" W x 10" H
Backplate Thickness	0.5"
Exterior Trim Projection	2.75"
Interior Trim Projection	3"
Lever Dimensions	5.20" x .75" Dia.

Warranty:

- Emtek Lifetime Limited Warranty

Made to order and non-returnable

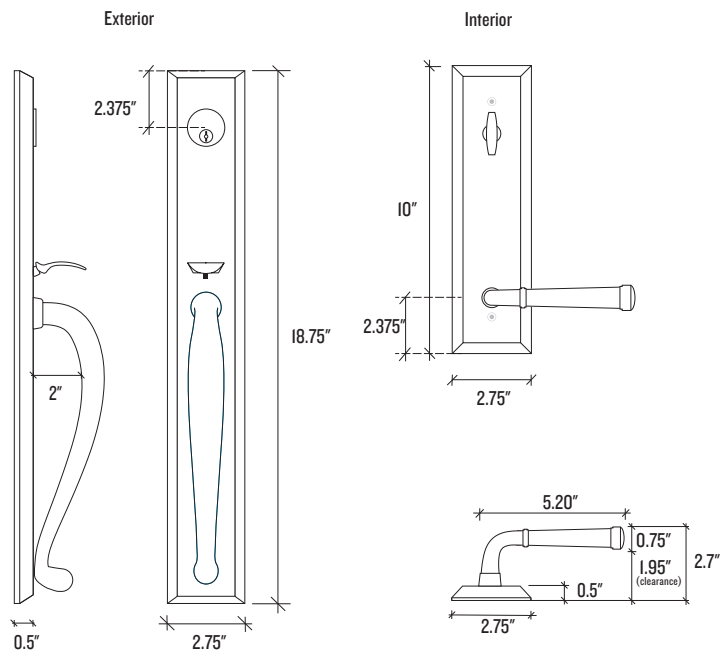
Finish Options



Antique
Brass
(AB)

Satin
Nickel
(SN)

Oil Rubbed
Bronze
(ORB)



SCHOOLHOUSE



Freeport Entrance Handleset with Abbott Lever—Dummy

Dummy entrance handlesets feature non-functioning exteriors and non-turning interiors and balance the look of double doors.

Product Origin:

- Assembled in the USA from parts made in China
- Made by Emtek
- Ships direct from the manufacturer

Requires:

- Standard door preparation and installation
- Two 2-1/8" bore holes with 5-1/2" center-to-center hole spacing
- No edge bores

Complete Set Includes:

- 1-1/2" backplate screws

Warranty:

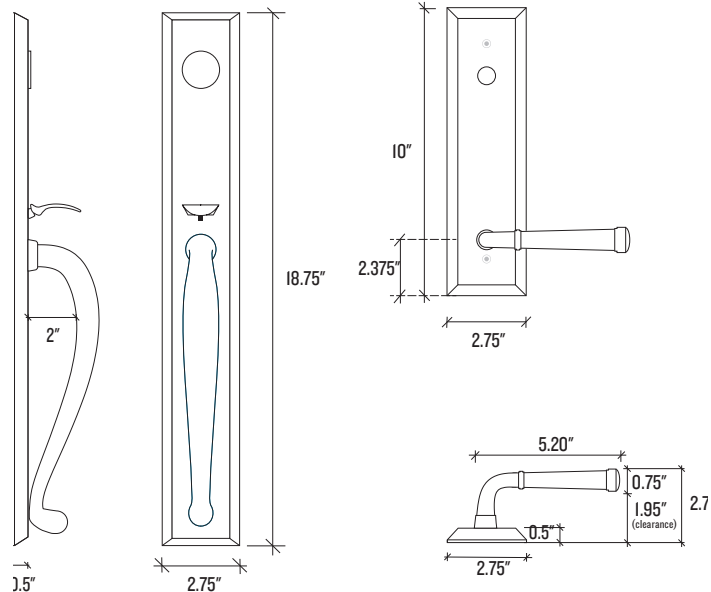
- Emtek Lifetime Limited Warranty

Made to order and non-returnable

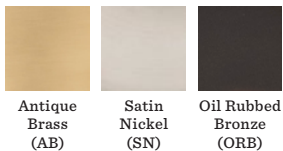
Backplate Dimensions	Exterior: 2.75" W x 18.75" H Interior: 2.75" W x 10" H
Backplate Thickness	0.5"
Exterior Trim Projection	2.75"
Interior Trim Projection	3"
Lever Dimensions	5.20" x .75" Dia.

Exterior

Interior



Finish Options



Antique
Brass
(AB)

Satin
Nickel
(SN)

Oil Rubbed
Bronze
(ORB)