

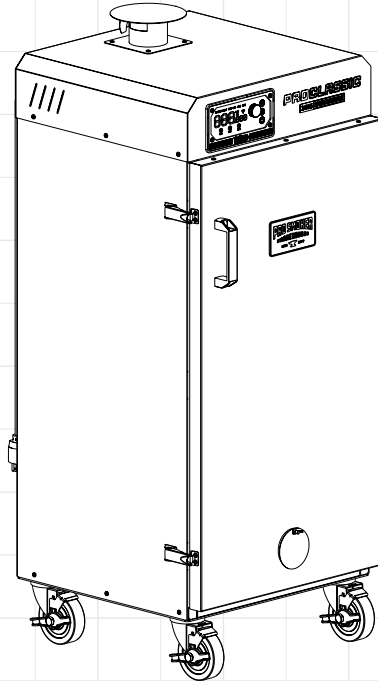
# PRO SMOKER SMOKEHOUSES

ESTD 1977



## PRO CLASSIC SMOKEHOUSE OWNER'S MANUAL

Model#: PRO-PKC



**▲ WARNING ▲**

**Read Instruction Manual Before Attempting To  
Assemble Or Operate This Product.**

# FROM OUR FAMILY TO YOURS.

Congratulations on your new Pro Smoker. With the purchase of your new smokehouse, you've joined a four-generation strong family obsessed with the art of smoking. Over 45 years ago, our founder Harold Hanni nearly burnt his house down with his homemade smoker. After years of perfecting his smokehouse design, Pro Smoker became the leading provider of commercial smokehouses to butcher shops and meat processors across the country. The Pro Classic is the culmination of years of professional smoking expertise, made for your backyard. Take some time to read the user manual and explore the Hanni family's own recipes that we're passing down from our family, to yours. It's time to Smoke Like a Pro.

Keep Smokin'

- *The Hanni Family*

## ⚠️ WARNING ⚠️

When you are operating your Smokehouse you must follow these simple steps; failure to do so may result in a fire hazard, spontaneous combustion or other types of harm.

## ⚠️ DANGER - RISK OF FIRE ⚠️



**DO NOT USE WOOD PELLETS.** Only use fine sawdust or small wood chips in this Smoker. Using wood pellets will cause your smoker to catch fire or spontaneously combust potentially resulting in personal or property damages.

- **DO NOT** operate this Smokehouse without reading this user manual completely.
- **DO NOT** open the door when heavy smoke appears. Wait until smoke is not visible to open the smoker.
- **DO NOT** place Smokehouse on any type of combustible material or uneven surface.
- Use properly grounded outlets, 3-wire plugs and 3-wire grounded receptacles.
- **DO NOT** touch hot accessories. Use hot pads or a pair of gloves.
- Use your smoker only for what it is intended.
- **DO NOT** move your smoker when it is in use.
- **DO NOT** use attachments or accessories not recommended by manufacturer.
- Other than cleaning your smoker, servicing of any kind should be performed by authorized service technicians only.
- Always unplug your smoker when not in use or during examination.
- Be sure to replace shelves and accessories after cleaning to discourage children from entering your smoker.
- **DO NOT** open main door when sawdust is smoking.
- Always empty sawdust ash in a fire-proof container.
- **DO NOT** use any other substance for smoking – use mixed hardwood, hickory, apple mesquite or cherry sawdust.
- Line the entire drip pan with aluminum foil and change after each use for easy clean up and to prevent grease build up.

## TABLE OF CONTENTS

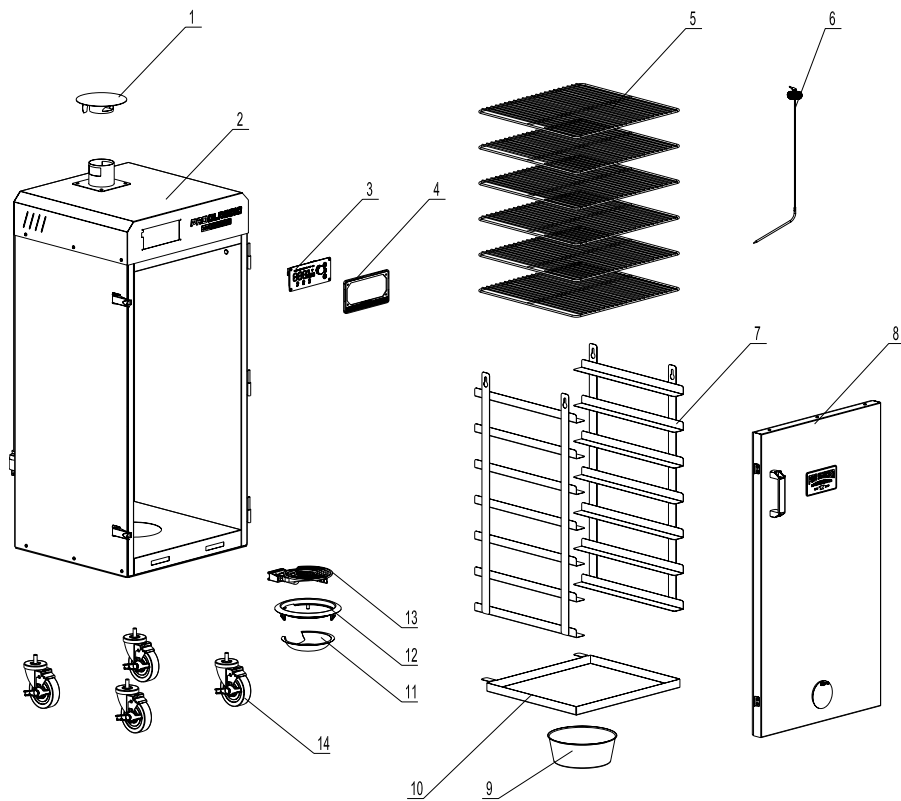
Your Smoker Overview .....	Page 4
Getting Started: Assembly & Set-Up .....	Pages 5-6
Basic Smoker Operation .....	Page 7
Smoker Controller Operation .....	Pages 8-9
Cleaning & Maintenance .....	Page 10
Troubleshooting .....	Pages 11-12
Recipes .....	Page 13
Polish Kielbasa .....	Page 14
Hot Dogs .....	Page 15
Ring Bologna .....	Page 16
Summer Sausage .....	Page 17
Snack Sticks .....	Page 18
Ham .....	Page 19
Bacon .....	Page 20
Pulled Pork .....	Page 21
BBQ Ribs .....	Page 22
Smoked Turkey .....	Page 23
Smoked Salmon .....	Page 24
Brisket .....	Page 25
Beef Jerky .....	Page 26
Warranty .....	Pages 53-55

### Problems or Questions?



If you have any problems or questions on set up and start up, call the manufacturer at **1-800-874-1949** (Hours of Operation: 8:00 am-4:30 pm CST) and ask for Smoker Service Support or go to our website: [www.pro-smoker.com/support](http://www.pro-smoker.com/support) for assistance.

# YOUR SMOKER OVERVIEW



Part #	Description	Qty	Part #	Description	Qty
1	Chimney Cap (03-0075)	1	8	Door	1
2	Cabinet	1	9	Sawdust Pan (04-0154)	1
3	Controller (04-0246)	1	10	Drip Tray (PS-1018)	1
4	Controller Trim	1	11	Burner Drip Pan (04-0139)	1
5	Wire Shelves (04-0181)	6	12	Burner Fixed Plate (04-0140)	1
6	Meat Probe (04-0303)	1	13	Burner (04-0142-C)	1
7	Shelves Rack (04-0289-C)	2	14	Casters (04-0603)	4

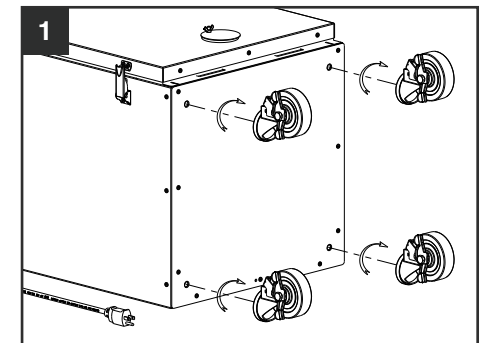
# GETTING STARTED ASSEMBLY & SET-UP

When you first receive your Pro Smoker, check for any damage that may have occurred during the transportation of your smokehouse.

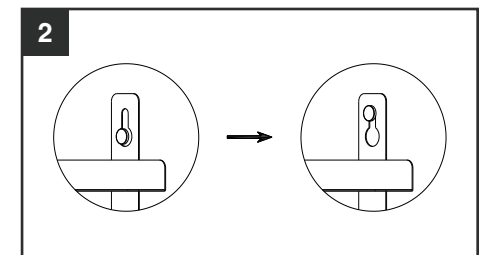
## Assembly Instructions

1. Place the smoker on its back on a soft cloth. Tighten the casters in a clockwise direction.

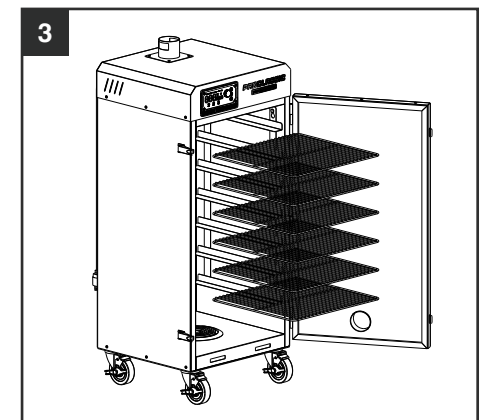
Stand the smoker upright with casters installed.



2. Open the door and install the wire shelves rack assembly. Align the large end of the keyhole slot of the rack with the fixed column on the side panel of the body interior, set it on the fixed post of the rack, and then drop the rack down to the top of the slot.



3. Next, place the six wire shelves on the rack assembly.

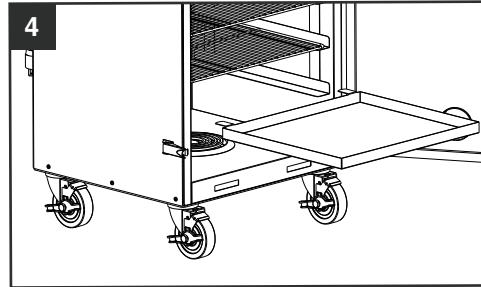


# GETTING STARTED ASSEMBLY & SET-UP

## Assembly Continued

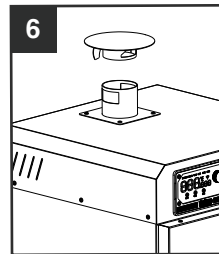
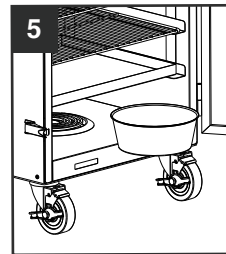
4. Install the product drip tray: The drip pan (included) is formed with 2 tabs on one side; the tabs must always be positioned towards the back of smoker to ensure proper airflow.

**Tip:** Line the drip tray with aluminum foil before installing for easy clean-up.



5. Place the sawdust pan on burner.
6. Place the chimney cap on top on smoker damper chimney.

Assembly is complete.



## General Set-Up

- Choose a well-ventilated area for smoker use.
- Place smoker on a sturdy, level surface.
- Plug in cord. **Note:** If an extension cord is needed, use only 14-3 wire cord up to 25 feet, and 12-3 wire cord from 25-50 feet, and use only a grounded outlet.

*Optional: This Smokehouse can be vented and used indoors with appropriate ventilation. Please contact [info@pro-smoker.com](mailto:info@pro-smoker.com) to learn more about how to extend your exhaust for indoor use.*

## “Seasoning” Your Smoker For First Time Use

- Apply non-stick cooking oil or mineral oil to door gasket. *Note: We recommend cooking spray for easy application.*
- Set controller to **Smoke** and set to 100°F.
- Fill sawdust pan about 3/4 full with sawdust. Dampen the sawdust with water and funnel the sawdust to the outside of the pan. Increase the temperature to 150°F.
- Open dampers 1/2 open during the break-in period.
- After 3 hours, turn the temperature control off.
- Once smoker has cooled completely, the smokehouse is now ready for use.

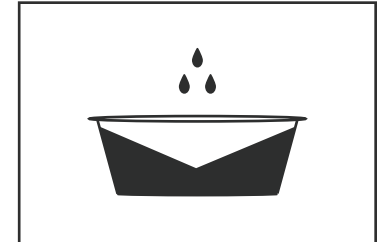
# YOUR SMOKER BASIC OPERATION

Now that your Pro Smoker is set up, below are some general guidelines for operating your smokehouse.

## Preparing Sawdust In Pan

Fill pan 3/4 full with sawdust and dampen thoroughly with water. Form mixture into a funnel shape.

*Sawdust should only be added in **Smoke mode**.*



## Preparing Wood Chips In Pan

Fill the pan 3/4 full (about 5 cups) with wood chips.

Cover the pan with heavy duty aluminum foil and seal the edges. Poke holes in the foil to allow airflow.

For a lighter and longer smoke, soak the woodchips. Fill the pan 3/4 full with wood chips (about 5 cups) and then cover with water. Allow to soak for 30 minutes and then strain off the excess water. Cover the pan with heavy duty aluminum foil and seal the edges. Poke holes in the foil to allow airflow.

### ⚠ DANGER - RISK OF FIRE ⚠

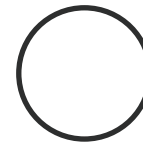


**DO NOT USE WOOD PELLETS.** Only use fine sawdust or small wood chips in this Smoker. Using wood pellets will cause your smoker to catch fire or spontaneously combust potentially resulting in personal or property damages.

## Damper Position

Dampers are located on the bottom half of your smokehouse door and the top chimney. The position of your dampers is important for controlling air circulation in your smokehouse, affecting temperature, smoke production and more. Please follow these guidelines when determining how your dampers should be positioned. Always close dampers when not in use.

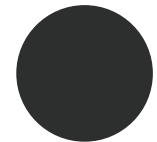
*Note: When adjusting dampers, the upper chimney damper and lower door damper should always be set to the same position.*



**For Drying**  
Dampers Wide Open



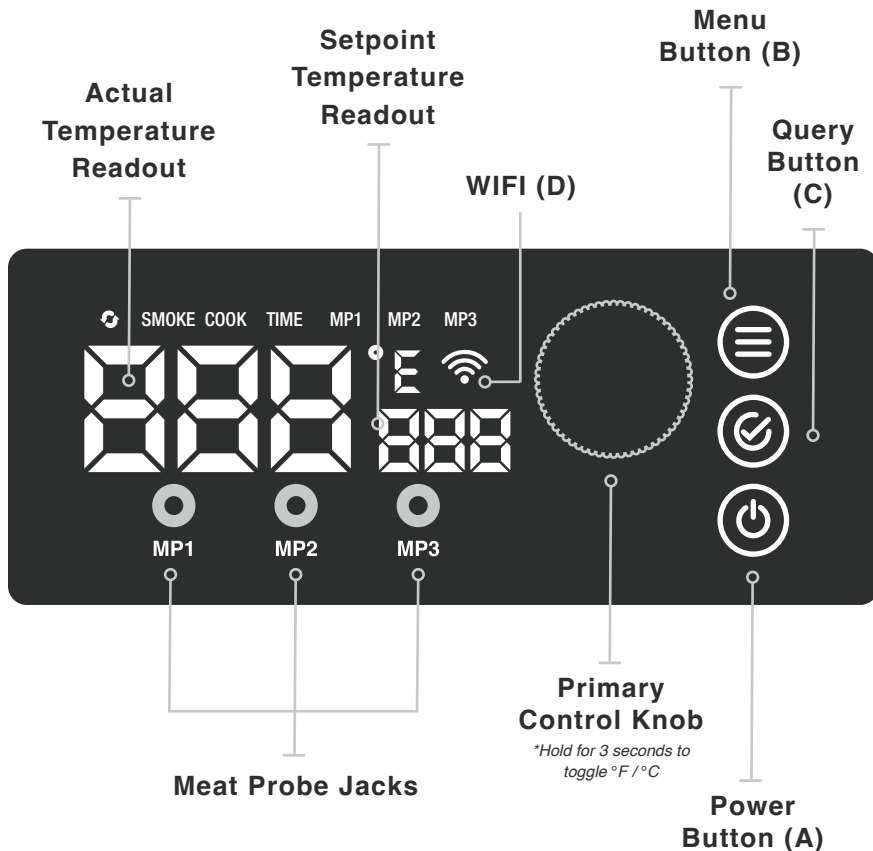
**For Smoking**  
Dampers 2/3 Closed



**For Cooking**  
Dampers Closed

# SMOKER OPERATION CONTROLLER

You can easily monitor the temperature and ensure that your meat is cooked to perfection every time.



## Download The Pro Smoker App

Access your Smoker Controls via Smartphone, monitor your smoke temperatures, discover recipes and more!



## A. Power button

Press power button to turn on controller, all display lights will engage, and the smoker will be in standby status awaiting next steps. Press power button to turn off.



## B. Menu button

- B1 - Press the menu button to navigate to the "Smoke" Setting. Once the "Smoke" icon flashes, press the knob to confirm. The Smoke icon will stop flashing and stay lit, you can now set the smoke temp and begin smoking.
- B2 - Press the menu button to navigate to the "Cook" Setting. Once the "Cook" icon flashes, press the knob to confirm. The "Cook" icon will stop flashing and stay lit, you can now set the cook temp and begin cooking.
- B3 - Press the menu button to navigate to the "Time" Setting. Once the "Time" icon flashes, press the knob to confirm. The "Time" icon will stop flashing and stay lit, you can now set the timer. First set the hour by turning the knob, press to confirm. Next set minute by turning the knob, press to confirm.
- B4-B6 - Press the menu button to navigate to the "MP1" (probe 1). Once the "MP1" icon flashes, press the knob to confirm. The "MP1" icon will stop flashing and stay lit, you can now rotate knob to adjust the meat temperature of the probe. Press knob to confirm. If needed, press menu button again for MP2 and MP3 repeating the same steps.  
*(Note: A meat probe needs to be inserted into jacks, otherwise they will be skipped when clicking the menu icon)*
- B7 - Press the menu button to navigate to the "Cycle" Setting. Once the "Cycle" icon flashes, press the knob to confirm. The "Cycle" icon will stop flashing and stay lit, your display will now alternate between smoker temp and the timer.



## C. Query button

Press the query button to view the set time and meat probe temperature.



## D. WIFI

When the WiFi symbol is blinking, the smoker is not connected via Bluetooth or WiFi. Download the app and follow to prompts to connect your smoker and link your device. The WiFi symbol will be solid when connected successfully.

*\*Bluetooth must be enabled on WiFi device in order to connect to smoker.*

**Smoke** Temp Range: 80°-180°F | Burner Wattage: 725W

This is the recommended setting when using a sawdust pan for smoke production. A lower wattage output from the burner reduces the chance for burning sawdust and produces a more controlled stable smoke cycle.

*\*When smoking at lower temperatures, we recommend building a smolder on the sawdust at 130°F then reducing the temperature of your smoker as needed to the preferred target range.*

**Cook** Temp Range: 80°-300°F | Burner Wattage: 1450W

This is the recommended setting for cooking product above 180°F. It can also be used to hold lower temps without a sawdust pan and may come in handy when smoking in colder climates as the higher wattage burner setting will produce more radiant heat within the smoker.

*\*We do not recommend this setting with the use of our sawdust pan*

# SMOKER MAINTENANCE CLEANING & CARE

The smoker is designed to be low-maintenance and easy to clean, so you can spend less time cleaning and more time enjoying your smoked meats. To ensure your Pro Smoker runs properly, please follow the following cleaning tips:

## General Care

- Before using the shelves, spray them with any non-stick spray.
- Line the entire drip pan with aluminum foil and change after each use for easy clean up and to prevent grease build up.
- Keep your door gasket oiled with mineral oil or cooking spray to prevent gasket from sticking.

## Cleaning

- After each use allow the smoker to cool completely before cleaning.
- Do not clean interior walls completely – only remove loose debris. The smoke film on the walls will improve the product flavor and will not affect the performance of the smoker
- Remove the shelves/sticks and the drip pan and clean with hot, soapy water
  - Use soap-filled steel wool pads to remove baked on grease and stains
  - Rinse, dry and store shelves and pan inside the smoker

**DO NOT** use excessive amounts of water in the interior of the smoker. If water is used, dry out the interior thoroughly before operating.



## Problems or Questions?

If you have any problems or questions on set up and start up, call the manufacturer at **1-800-874-1949** (Hours of Operation: 8:00 am-4:30 pm) and ask for Smoker Service Support or go to our website: [www.pro-smoker.com/support](http://www.pro-smoker.com/support) for assistance.

**Note:** Before calling for service, be sure you have power to your smokehouse.

# TROUBLESHOOTING

## ⚠ WARNING ⚠

Always unplug your smoker before making any repairs.  
Repairs should be made by trained personnel only.

Problem	Possible Cause	Solution(s)
Smoke/heat burner does not come on	Smoker is not plugged in	Ensure Smoker Is Plugged In
	No power from outlet	Check outlet for power
	Fuse is blown	If blown, replace - if fuse blows again, check for shorted burner or wires
Controller is on but burner does not heat	Wire connections are bad	Repair wiring connection
	Burner is shorted out	Replace Burner
Controller will not turn burner off	Shorted Wire	Repair wiring connection
	Burner is shorted out	Replace Burner
	Control is malfunctioning	Replace Controller
Door leaks smoke at door edges	Door gasket is bad	Replace door gasket
The Smoker keeps Tripping the GFCI	Insufficient Outlet Power	Use A Grounded 20AMP Outlet
	Extension Cord Is Too Long	Shorter Heavy-Duty Extension Cord
	Element or Wiring Shorted	Replace Element or Wiring
	Corrosion In Controller	Replace Corroded Components

# TROUBLESHOOTING CONTINUED

## ⚠ WARNING ⚠

Always unplug your smoker before making any repairs.  
Repairs should be made by trained personnel only.

Problem	Possible Cause	Solution(s)
Error Indicator - Er1 RTD open circuit or short circuit fault	RTD cable is not plugged in correctly	Ensure that RTD cable is plugged In correctly
	RTD Failure	Replace RTD
	Controller is faulty	Replace the controller
Error Indicator - ErH Temperature fault	Temperature is too high	Turn off and allow to cool
	RTD failure	Replace RTD
	Controller is faulty	Replace the controller
Error Indicator - ErC Cook heating wire fault	Cook cable is not plugged in correctly	Ensure the Cook cable is plugged in correctly
	Cook heating wire fault	Replace Cook heating wire
	Controller faulty	Replace the controller
Error Indicator - ErS Smoke heating wire fault	Smoke cable is not plugged in correctly	Ensure the Smoke cable is plugged in correctly
	Smoke heating wire fault	Replace Smoke heating wire
	Controller faulty	Replace the controller



*The Official*

## SMOKEHOUSE RECIPE COOKBOOK

Now that you've learned how to operate your smokehouse, lets get smoking! For those who are new to smoking or looking for some inspiration, we put together a collection of the Hanni family's favorite recipes to get you started. As you gain experience with your smokehouse, feel free to experiment with perfecting some recipes of your own. We can't wait to see what you cook up.

### GIVE US A SHOUT

Make something in your smokehouse that's too good to not share? Be sure to tag us @PROSMOHERWI on your next social media post.



### STOCK UP ON SUPPLIES

If you need seasoning, casings or supplies for your next creation? We've got you covered. Scan this QR code or go to [psseasoning.com](https://psseasoning.com) to find everything you'll need.

### MORE RECIPES & TUTORIALS

From venison sausage to smoked cheese, discover our complete collection of recipes & tutorials by scanning this QR code or by going to [pro-smoker.com/recipes](https://pro-smoker.com/recipes).



## SMOKEHOUSE RECIPE

# POLISH KIELBASA



**Type:**  
Sausage



**Batch Size:**  
25 lbs.



**Total Time:**  
23-25 Hours

### Ingredients

- 15 Lbs – Beef Trims
- 10 Lbs – Pork trims
- 3-4 Cups – Distilled Water
- Polish Kielbasa Seasoning & Cure (for 25 lbs meat)
- 38-42mm Natural Hog Casings

### Pro's Choice: PS Seasoning

- Smoked Polish Kit  
*Includes Seasoning, Casings & Cure*

### Preparation

1. Prepare casings by rinsing, then soak in warm water for 30 minutes.
2. Grind beef and pork together once through a 3/8" plate.
3. Re-grind once through a 3/16" plate.
4. Add seasoning to meat and mix for 2 minutes until fully incorporated.
5. Mix cure with water, then add to meat block.
6. Continue mixing for an additional 5-7 minutes until meat block becomes very tacky.
7. Load meat block into stuffer and stuff into casings.
8. Link sausages into 7" sections.
9. Rest sausage in the fridge overnight to allow flavor and cure development.
10. Line smoker drip tray with new aluminum foil.

### Smoking Procedure

1. Preheat smoker to 110°F on **Smoke** mode with dampers wide open.
2. Hang sausages on smoke sticks (avoid overcrowding for optimal airflow).
3. Insert meat probe into one sausage to monitor temperature.
4. Dry sausage at 110°F for 2 hours.
5. Increase temperature to 120°F, run 1 hour.
6. Fill pan 3/4 full with sawdust and dampen thoroughly with water. Form mixture into a funnel shape and place on the heating element.
7. Increase temperature to 130°F. Set dampers to 2/3 closed. Run 1 hour.
8. Increase temperature to 140°F, run 1 hour.
9. Carefully remove sawdust pan and increase temperature to 150°F, run 1 hour.
10. Increase temperature to 160°F, run 1 hour.
11. Increase temperature to 180°F and run until the internal temperature of sausage reaches 155°F. (2-4hrs)
12. Remove sausage from smoker and place in an ice bath until internal temperature drops to 100°F.
13. Hang sausage at room temperature for 2 hours to bloom.
14. Store in refrigerator up to 2 weeks or freezer up to 6 months.

## SMOKEHOUSE RECIPE

# HOT DOGS



**Type:**  
Sausage



**Batch Size:**  
25 lbs.



**Total Time:**  
18-22 Hours

### Ingredients

- 15 lbs. - Beef Trims
- 10 lbs. - Pork Trims
- 3-4 Cups - Distilled Water
- Wiener Seasoning & Cure (For 25 Lbs Meat)
- 24-26mm natural sheep casings

### Pro's Choice: PS Seasoning

- No. 155 Blue Ribbon Wiener Seasoning

### Preparation

1. Rinse casings and soak in warm water for 30 minutes.
2. Grind beef and pork together once through a 3/8" plate.
3. Re-grind once through a 3/16" plate.  
*Optional: For a finer more traditional hot dog, re-grind through a 1/8" plate.*
4. Add seasoning to meat and mix for 2 minutes until fully incorporated.
5. Mix cure with water, then add to meat block.
6. Continue mixing for an additional 5-7 minutes until meat block becomes very tacky.
7. Load meat block into stuffer and stuff into casings.
8. Link hot dogs into 7" sections.
9. Rest hot dogs in fridge overnight to allow flavor and cure development.
10. Line smoker drip tray with new aluminum foil.

### Smoking Procedure

1. Preheat smoker to 130°F on **Smoke** mode with dampers wide open.
2. Hang hot dogs on smoke sticks (avoid overcrowding for optimal airflow).
3. Insert meat probe to monitor temperature.
4. Dry hot dogs at 130°F for 2 hours.
5. Fill pan 3/4 full with sawdust and dampen thoroughly with water. Form mixture into a funnel shape and place on the heating element.
6. Increase temperature to 180°F. Set dampers to 2/3 closed.
7. Run until internal temperature of hot dogs reaches 155°F. (4-6hrs)
8. Remove hot dogs from smoker and place in an ice bath until internal temperature drops to 100°F.
9. Hang hot dogs at room temperature for 2 hours to bloom.
10. Store in refrigerator up to 2 weeks or freezer up to 6 months.



## SMOKEHOUSE RECIPE

# RING BOLOGNA



**Type:**  
Sausage



**Batch Size:**  
25 lbs.



**Total Time:**  
21-23 Hours

### Ingredients

- 13 lbs. - Lean Beef Trims
- 12 lbs. - Lean Pork Trims
- 3-4 Cups - Distilled Water
- Bologna Seasoning & Cure (for 25 Lbs meat)
- Casings - 40mm or 43mm Tied Rounds

### Pro's Choice: PS Seasoning

- No. 211 Blue Ribbon Bologna Seasoning
- No. 665 Bologna Seasoning (no MSG)

### Preparation

1. Prepare casings by rinsing, then soak in warm water for 30 minutes.
2. Grind beef and pork together once through a 3/8" plate.
3. Re-grind once through a 3/16" plate.
4. Add seasoning to meat and mix for 2 minutes until fully incorporated.
5. Mix cure with water, then add to meat block.
6. Continue mixing for an additional 5-7 minutes until meat block becomes very tacky.
7. Load meat block into stuffer and stuff into casings. Tie off the ends.
8. Rest sausage in the fridge overnight to allow flavor and cure development.
9. Line smoker drip tray with new aluminum foil.

### Smoking Procedure

1. Preheat smoker to 130°F on **Smoke** mode with dampers wide open.
2. Hang ring bologna on smoke sticks (avoid overcrowding for optimal airflow).
3. Insert meat probe into one link to monitor temperature.
4. Dry the ring bologna at 130°F for 2 hours.
5. Fill pan 3/4 full with sawdust and dampen thoroughly with water. Form mixture into a funnel shape and place on the heating element.
6. Increase temperature to 170°F. Set dampers to 2/3 closed.
7. Run until the internal temperature of the ring bologna reaches 155°F. (6-8hrs).
8. Remove ring bologna from smoker and place in an ice bath until internal temperature drops to 100°F.
9. Hang the ring bologna at room temperature for 2 hours to bloom.
10. Store in refrigerator up to 2 weeks or freezer up to 6 months.

## SMOKEHOUSE RECIPE

# SUMMER SAUSAGE



**Type:**  
Sausage



**Batch Size:**  
25 lbs.



**Total Time:**  
23-25 hours

### Ingredients

- 15 Lbs – Beef Trims or Venison
- 10 Lbs - Pork Trims
- 3-4 Cup - Distilled Water
- Summer Sausage Seasoning and Cure (for 25 lbs of Meat)
- 2½" X 12" Mahogany Casings

### Pro's Choice: PS Seasoning

- Garlic Summer Sausage Kit  
*Includes Seasoning, Casings & Cure*

### Preparation

1. Prepare casings by rinsing, then soak in warm water for 30 minutes.
2. Grind beef (or venison) and pork together once through a 3/8" plate.
3. Re-grind once through a 3/16" plate.
4. Add seasoning to meat and mix for 2 minutes until fully incorporated.
5. Mix cure with water, then add to meat block.
6. Continue mixing for an additional 5-7 minutes until meat block becomes very tacky.
7. Load meat block into stuffer and stuff into casings. Tie off the ends.
8. Rest sausage in the fridge overnight to allow flavor and cure development.
9. Line smoker drip tray with new aluminum foil.

### Smoking Procedure

1. Preheat smoker to 110°F on **Smoke** mode with dampers wide open.
2. Hang sausage on smoke sticks (avoid overcrowding for optimal airflow).  
*If you don't have smoke sticks, sausage can be laid directly on racks.*
3. Insert meat probe into one sausage to monitor temperature.
4. Dry sausage at 110°F for 2 hours.
5. Increase temperature to 120°F, run 1 hour.
6. Fill pan 3/4 full with sawdust and dampen thoroughly with water. Form mixture into a funnel shape and place on the heating element.
7. Increase temperature to 130°F. Set dampers to 2/3 closed, run 1 hour.
8. Increase temperature to 140°F, run 1 hour.
9. Carefully remove sawdust pan and increase temperature to 150°F, run 1 hour.
10. Increase temperature to 160°F, run 1 hour.
11. Increase temperature to 180°F and run until internal temperature of summer sausage reaches 155°F. (2-4hrs)
12. Remove sausage from smoker and place in an ice bath until internal temperature drops to 100°F.
13. Hang sausage at room temperature for 2 hours to bloom.
14. Store in refrigerator up to 2 weeks or freezer up to 6 months.

# SMOKEHOUSE RECIPE

## SNACK STICKS



**Type:**  
Sausage



**Batch Size:**  
25 lbs.



**Total Time:**  
22-24 Hours

### Ingredients

- 15 Lbs – Beef Trims or Venison
- 10 Lbs – Pork trims
- 3-4 Cups – Distilled Water
- Snack Stick Seasoning & Cure for 25 lbs meat
- 21mm Collagen Casings or Natural Sheep Casings

### Pro's Choice: PS Seasoning

- Original Snack Stick Kit  
*Includes Seasoning, Casings & Cure*
- Hot Snack Stick Kit  
*Includes Seasoning, Casings & Cure*

### Preparation

1. If using sheep casings, prepare by rinsing, then soaking in warm water for 30 minutes.
2. Grind beef (or venison) and pork together once through a 3/8" plate.
3. Re-grind once through a 3/16" plate.
4. Add seasoning to meat and mix for 2 minutes until fully incorporated.
5. Mix cure with water, then add to meat block.
6. Continue mixing for an additional 5-7 minutes until meat block becomes very tacky.
7. Load meat block into stuffer and stuff into casings.
8. Rest snack sticks in fridge overnight to allow flavor and cure development.
9. Line smoker drip tray with new aluminum foil.

### Smoking Procedure

1. Preheat smoker to 110°F on **Smoke** mode with dampers wide open.
2. Hang snack sticks on smoke sticks (avoid overcrowding for optimal airflow).  
*If you don't have smoke sticks, snack sticks can be laid directly on racks.*
3. Insert meat probe to monitor temperature.
4. Dry snack sticks at 110°F for 2 hours.
5. Increase temperature to 120°F, run 1 hour.
6. Fill pan 3/4 full with sawdust and dampen thoroughly with water.  
Form mixture into a funnel shape and place on the heating element.
7. Increase temperature to 130°F. Set dampers to 2/3 closed, run 1 hour.
8. Increase temperature to 140°F, run 1 hour.
9. Carefully remove sawdust pan and increase temperature to 150°F, run 1 hour.
10. Increase temperature to 160°F, run 1 hour.
11. Increase temperature to 180°F and run until internal temperature of snack sticks reaches 155°F. (1-3 hrs)
12. Remove snack sticks from smoker and place in an ice bath until internal temperature drops to 100°F.
13. Hang snack sticks at room temperature for 2 hours to bloom.
14. Store in refrigerator up to 2 weeks or freezer up to 6 months.

# SMOKEHOUSE RECIPE

## WHOLE HAM



**Type:**  
Pork



**Batch Size:**  
16-18 lbs.



**Total Time:**  
9-10 Days

### Ingredients

- 16-18 LB – Whole Ham (uncured)
- Cure - Pre-measured for weight of ham
- Seasoning, if desired

### Pro's Choice: PS Seasoning

- Speed Cure
- Maple Meat Cure and Brine Mix
- Apple Pie Rub

### Preparation

1. Pat ham dry with paper towel.
2. Follow curing instructions that come with your cure – usage will vary based on cure and weight of the meat.
3. After curing, remove ham from brine and rinse well with cold water.
4. Pat dry with paper towel and place in fridge overnight to dry out.
5. Remove ham from the fridge and season topically. Rest at room temperature while the smoker preheats.
6. Line smoker drip tray with new aluminum foil.

### Smoking Procedure

1. Preheat smoker to 180°F on **Smoke** mode with dampers 2/3 closed.
2. Place ham in a stockinette and then tie it to a smoke stick. Hang the ham on the top rung in the smoker.  
*If you do not have a stockinette or smoke stick, you can place the ham on a rack in your smoker. We recommend a stockinette for best results.*
3. Place a meat probe in the ham to monitor temperature.
4. Run until internal temperature reaches 90°F. (3-4 hours).
5. Fill pan 3/4 full with sawdust and dampen thoroughly with water and then form into a funnel shape. Place the pan on the heating element.
6. Smoke for 3 hours.
7. Carefully remove sawdust pan and change the setting to **Cook**. Increase the temperature of the smoker to 225°F. Fully close dampers.
8. Cook until the internal temperature of the ham reaches 150°F. (4-5 Hours)  
*Pro tip: If using sauce, baste generously last 30 minutes of cooking.*
9. Remove from the smoker and rest 1 hour before slicing or cooling completely.

## SMOKEHOUSE RECIPE

# BACON



**Type:**  
Pork



**Batch Size:**  
20 lbs.



**Total Time:**  
1-2 Weeks

### Ingredients

- 20 Lbs – Pork belly (5 lb portions)
- Bacon Cure - For 20 lbs meat
- Topical Rub, if desired

### Pro's Choice: PS Seasoning

- Maple Meat Cure (wet)
- PS Bacon Dry Rub Cure (dry)
- Big Kahuna Rub
- Hot Honey Bee Sting Rub

### Preparation

1. Pat the pork belly dry with paper towel.
2. Follow curing directions that come with your bacon cure – wet cure and dry cure will have different process and both will deliver fantastic results.
3. Once cured, rinse the pork bellies with cold water and pat dry with paper towel.
4. Place the pork bellies on rack lined trays and into the fridge overnight to dry out.
5. Remove pork bellies from the fridge and rest at room temperature while the smoker preheats. If using a topical rub, apply at this stage.
6. Line smoker drip tray with new aluminum foil.

### Smoking Procedure

1. Preheat smoker to 180°F on **Smoke** mode with dampers wide open.
2. Place the pork bellies on rack, fat side up, and then place them in the smoker.
3. Insert a meat probe to monitor temperature.
4. Run until internal temperature reaches 90°F (about 1 hour).
5. Fill pan 3/4 full with sawdust and dampen thoroughly with water. Form mixture into a funnel shape and place on the heating element.
6. Set dampers to 2/3 closed, smoke for 2 hours.
7. Carefully remove the sawdust pan from the smoker.
8. Change to **Cook** mode and increase the temperature to 225°F, close dampers.
9. Run until internal temperature reaches 150°F (2-4 hours).
10. Remove bacon from smoker and rest at room temperature for 30 minutes before placing in the fridge to cool completely.

## SMOKEHOUSE RECIPE

# PULLED PORK



**Type:**  
Pork



**Batch Size:**  
16-20 lbs.



**Total Time:**  
14-20 Hours

### Ingredients

- 2 – Pork Shoulder or butts (8-10 lb average)
- ½ Cup – Mustard
- 2½ Cup - BBQ Rub

### Pro's Choice: PS Seasoning

- Brew City Mustard
- Notorious PIG Rub

### Preparation

1. Pat pork dry with a paper towel and trim as needed.
2. Score the fat cap in a crosshatch pattern.
3. Slather the pork with mustard and season generously on all sides.
4. Allow pork to rest at room temperature for 45 minutes while smoker pre-heats.
5. Line smoker drip tray with new aluminum foil.

### Smoking Procedure

1. Preheat smoker to 180°F on **Smoke** mode with dampers 2/3 closed.
2. Place pork butts on separate racks in the smoker, fat cap up.
3. Insert meat probe to monitor temperature.
4. Run until internal temperature reaches 90°F (2-4 hours).
5. Fill pan 3/4 full with sawdust and dampen thoroughly with water. Form mixture into a funnel shape and place on the heating element.
6. Smoke until internal temperature reaches 165°F (3-5 hours).
7. Remove pork from smoker and wrap well with butcher paper.
8. Return wrapped pork to smoker and insert meat probe.
9. Carefully remove sawdust pan from the smoker.
10. Change to **Cook** mode and increase temperature to 250°F, close dampers.
11. Run until internal temperature reaches 200°F (8-10hrs).
12. Remove pork from smoker and place in an empty cooler to rest for at least 1 hour, but up to 3. Shred and enjoy.

## SMOKEHOUSE RECIPE

# BBQ RIBS



**Type:**  
Pork



**Batch Size:**  
6-8 lbs.



**Total Time:**  
5-7 Hours

### Ingredients

- 4 Racks – Pork Back Ribs
- 1/3 Cup – Mustard
- 1 Cup – Seasoning
- 1/4 Cup - Apple Cider Vinegar
- 1 Cup – BBQ Sauce

### Pro's Choice: PS Seasoning

- Brew City Mustard
- Blue Ribbon Rib Rub
- Cherry Bomb BBQ Sauce

### Preparation

1. Pat ribs dry with paper towel and remove membrane.
2. Slather ribs with mustard and season generously on all sides.
3. Allow ribs to rest at room temperature while smoker preheats.
4. Line smoker drip tray with new aluminum foil.

### Smoking Procedure

1. Preheat smoker to 180°F on **Smoke** mode with dampers 2/3 closed.
2. Place ribs on racks, bone side down, and then place in smoker.
3. Fill pan 3/4 full with sawdust and dampen thoroughly with water. Form mixture into a funnel shape and place on the heating element.
4. Smoke for 2 Hours.
5. Open smoker to spritz ribs with apple cider vinegar and carefully remove the sawdust pan from the smoker.
6. Change to **Cook** mode and increase the temperature to 250°F, close dampers.
7. Run for 3-5 hours until desired tenderness. (pro tip: spritz ribs with apple cider vinegar every hour to maintain moisture)

*Optional: Once the ribs are done, lightly baste with sauce and then return to the smoker for an additional 20 minutes.*

8. Remove the ribs from the smoker and rest for 10 minutes before serving.

## SMOKEHOUSE RECIPE

# SMOKED TURKEY



**Type:**  
Turkey



**Batch Size:**  
16-20 lbs.



**Total Time:**  
18-22 Hours

### Ingredients

- Whole Turkey (16-20 lbs)
- Turkey Brine Kit
- 1 TB - Olive Oil
- 3/4 Cup - Seasoning

### Pro's Choice: PS Seasoning

- Tippy Tom Turkey Kit  
(Includes Brine Mix, Rub & Bag)

### Preparation

1. Prepare turkey according to directions on brine kit.
2. Remove turkey from brine and rinse thoroughly with cold water. Then pat dry with paper towel.
3. Drizzle turkey with olive oil and rub into the skin.
4. Season generously. Truss/dress the turkey.
5. Allow turkey to rest at room temperature for 1 hour before placing in the smoker.
6. Line smoker drip tray with new aluminum foil.

### Smoking Procedure

1. Preheat smoker to 180°F on **Smoke** mode with dampers 2/3 closed.
2. Place turkey on a rack, breast side up. Place an aluminum pan on rack below the turkey to catch drippings (*Pro tip: use drippings for gravy*).
3. Insert a meat probe to monitor temperature.
4. Run until internal temperature reaches 90°F (about 1 hour).
5. Fill pan 3/4 full with sawdust and dampen thoroughly with water. Form mixture into a funnel shape and place on the heating element.
6. Set dampers to 2/3 closed, smoke for 2 hours.
7. Carefully remove the sawdust pan.
8. Change setting to **Cook** and increase temperature to 275°F, close dampers.
9. Cook until turkey reaches an internal temperature of 170°F. (about 3-4 hours)  
Pro Tip: To crisp up the skin, finish your turkey in a pre-heated oven at 400°F for 15-20min
10. Remove from smoker and rest for 30-45 minutes before carving.

## SMOKEHOUSE RECIPE

# SMOKED SALMON



Type:  
Fish



Batch Size:  
6 lbs.



Total Time:  
3-4 Hours

### Ingredients

- 6 Lbs. - Salmon Filets  
*(About 2 sides, scaled & de-boned)*
- 4 TB - Mustard
- 1 Cup - Seasoning

### Pro's Choice: PS Seasoning

- Buzzed Hot Honey Mustard
- Hot Honey Bee Sting Rub

### Or

- Big Dill Mustard
- Spicy Pickle Seasoning

### Preparation

1. Pat the salmon dry with paper towel.
2. Slather each filet with 2 TB of mustard.
3. Season salmon generously with your choice of seasoning.
4. Allow salmon to rest at room temperature while smoker preheats.
5. Line smoker drip tray with new aluminum foil.

### Smoking Procedure

1. Preheat smoker to 180°F on **Smoke** mode with dampers 2/3 closed.
2. Place the salmon on racks, skin side down, and place in the smoker.
3. Insert a meat probe to monitor temperature.
4. Run for 1 hour.
5. Fill pan 3/4 full with sawdust and dampen thoroughly with water. Form mixture into a funnel shape and place on the heating element.
6. Smoke until internal temperature reaches 145°F (2-3 hours).
7. Pull and rest for 10 minutes before serving or cooling completely.

## SMOKEHOUSE RECIPE

# SMOKED BRISKET



Type:  
Beef



Batch Size:  
20-30 lbs.



Total Time:  
14-22 Hours

### Ingredients

- 2 Beef Briskets (10-15 lbs Average)
- 1/2 Cup – Mustard
- 2½ Cup - Seasoning

### Pro's Choice: PS Seasoning

- Brew City Mustard
- The General SPG Rub

### Preparation

1. Pat the brisket dry with a paper towel.
2. Trim the brisket as needed and bring the fat cap down to 1/4".
3. Slather the briskets with mustard and then season all sides generously with seasoning.
4. Allow to rest at room temperature while the smoker preheats (45 minutes).
5. Line smoker drip tray with new aluminum foil.

### Smoking Procedure

1. Preheat smoker to 180°F on **Smoke** mode and set dampers to 2/3 closed.
2. Place briskets on separate racks in the smoker, fat cap up.
3. Insert meat probe to monitor temperature.
4. Run for 2-4 hours until the internal temperature reaches 90°F.
5. Fill pan 3/4 full with sawdust and dampen thoroughly with water and then form into a funnel shape. Place the pan on the heating element.
6. Smoke for 3-5 hours until the internal temperature reaches 165°F.
7. Remove the briskets from the smoker and wrap well with butcher paper and then return to the smoker. Replace the meat probe and remove sawdust pan.
8. Change to **Cook** mode and increase temperature to 225°F, close dampers.
9. Cook until the internal temperature of the brisket reaches 190-195°F.
10. Remove brisket from smoker and place in an empty cooler to rest for at least 1 hour, but up to 3.

# SMOKEHOUSE RECIPE

## BEEF JERKY



**Type:**  
Beef



**Batch Size:**  
5 lbs.



**Total Time:**  
24-27 Hours

### Ingredients

- 5 Lbs - Lean Beef
- Jerky Seasoning & Cure
- 1 Cup - Water

### Pro's Choice: PS Seasoning

- Cracked Pepper & Garlic Jerky Kit
- Buttery Prime Rib Jerky Kit
- Maple Jalapeno Jerky Kit

### Preparation

1. Combine jerky seasoning and cure with 1 cup of water and stir until well combined.
2. Slice beef against the grain, into 1/4" to 3/8" slices *(using a meat slicer will give you the best results)*
3. Combine the sliced meat and jerky marinade together in a bowl and mix until meat is well coated.
4. Place meat in a zip lock bag and refrigerate for 12 hours.
5. Remove jerky from fridge and lay onto racks in a single layer (avoid overcrowding for optimal airflow). Let it rest at room temperature while the smoker preheats.
6. Line smoker drip tray with new aluminum foil.

### Smoking Procedure

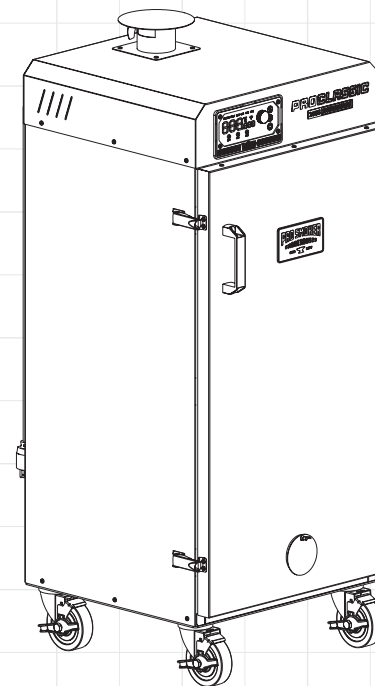
1. Preheat smoker to 140°F in **Smoke** mode with dampers wide open.
2. Place racks of jerky in smoker. Run 2 hours.
3. Fill pan 3/4 full with sawdust and dampen thoroughly with water. Form mixture into a funnel shape and place on the heating element.
4. Increase temperature to 170°F. Set the dampers to 2/3 closed.
5. Smoke for 3 hours.
6. Carefully remove the sawdust pan from the smoker.  
*(Pro Tip: Rotating racks at this stage will promote even drying).*
7. Set the dampers wide open and run until desired texture (3-5 hrs).
8. Turn smoker off and let it rest in the smoker for 4-5 hours before packaging and storing.

**PRO SMOKER**  
SMOKEHOUSES  
ESTD 1977

## FUMOIR CLASSIQUE PRO

# LE MANUEL DU PROPRIÉTAIRE

Modèle#: PRO-PKC



**⚠ AVERTISSEMENT ⚠**

Lire le manuel d'instructions avant d'essayer de  
Assembler ou utilisez ce produit.

# DE NOTRE FAMILLE À LA VÔTRE.

Félicitations pour votre nouveau Pro Smoker. Avec l'achat de votre nouveau fumeur, vous rejoignez une famille forte de quatre générations obsédée par l'art de fumer. Il y a plus de 45 ans, notre fondateur Harold Hanni a failli incendier sa maison avec son fumeur artisanal. Après des années passées à perfectionner la conception de son fumeur, Pro Smoker est devenu le principal fournisseur de fumeurs commerciaux pour les boucheries et les transformateurs de viande à travers le pays. Le Pro Classic est le point culminant d'années d'expertise professionnelle en matière de fumage, conçu pour votre jardin. Prenez le temps de lire le manuel d'utilisation et d'explorer les recettes de la famille Hanni que nous transmettons de notre famille à la vôtre. Il est temps de fumer comme un pro.

Continuez à fumer,

- La Famille Hanni

## ⚠ AVERTISSEMENT ⚠

When you are operating your Smokehouse you must follow these simple steps; failure to do so may result in a fire hazard, spontaneous combustion or other types of harm.

## ⚠ DANGER - RISQUE D'INCENDIE ⚠



**NE PAS UTILISER DE GRANULÉS DE BOIS.** Utilisez uniquement de la sciure fine ou de petits copeaux de bois dans ce fumeur. L'utilisation de granulés de bois entraînera l'incendie ou la combustion spontanée de votre fumeur, ce qui pourrait entraîner des dommages personnels ou matériels.

- **N'UTILISEZ PAS** ce fumeur sans avoir lu entièrement ce manuel d'utilisation.
- **NE PAS UTILISER DE GRANULES.** N'utilisez que de la sciure fine ou de petits copeaux de bois dans Smoke. Humidifiez la sciure de bois et amenez la sciure de bois à l'extérieur de la casserole, puis ouvrez amortisseurs 2/3 pour fumeur.
- **N'OUVREZ PAS** la porte lorsqu'une épaisse fumée apparaît. Attendez que la fumée ne soit plus visible pour ouvrir le fumeur.
- **NE placez PAS** le fumeur sur tout type de matériau combustible ou sur une surface inégale.
- Utilisez des prises correctement mises à la terre, des fiches à 3 fils et des prises à 3 fils avec mise à la terre.
- **NE PAS** toucher les accessoires chauds. Utilisez des coussins chauffants ou une paire de gants.
- N'utilisez votre fumeur que pour ce à quoi il est destiné.
- **NE déplacez PAS** votre fumeur lorsqu'il est en cours d'utilisation.
- **N'UTILISEZ PAS** d'accessoires ou d'accessoires non recommandés par le fabricant.
- Outre le nettoyage de votre fumeur, tout entretien de quelque nature que ce soit doit être effectué par techniciens de service agréés uniquement.
- Débranchez toujours votre fumeur lorsqu'il n'est pas utilisé ou pendant l'examen.
- Assurez-vous de replacer les étagères et les accessoires après le nettoyage pour décourager les enfants d'entrer dans votre fumeur.
- **NE PAS** ouvrir la porte principale lorsque la sciure fume.
- Toujours vider les cendres de sciure de bois dans un récipient résistant au feu.
- **N'UTILISEZ AUCUNE** utiliser toute autre substance pour fumer - utiliser un mélange de bois dur, de hickory, de pommier sciure de mesquite ou de cerisier.
- Tapisser toute la lèchefrite de papier d'aluminium et la changer après chaque utilisation pour un nettoyage facile et pour éviter l'accumulation de graisse.

## TABLE DES MATIÈRES

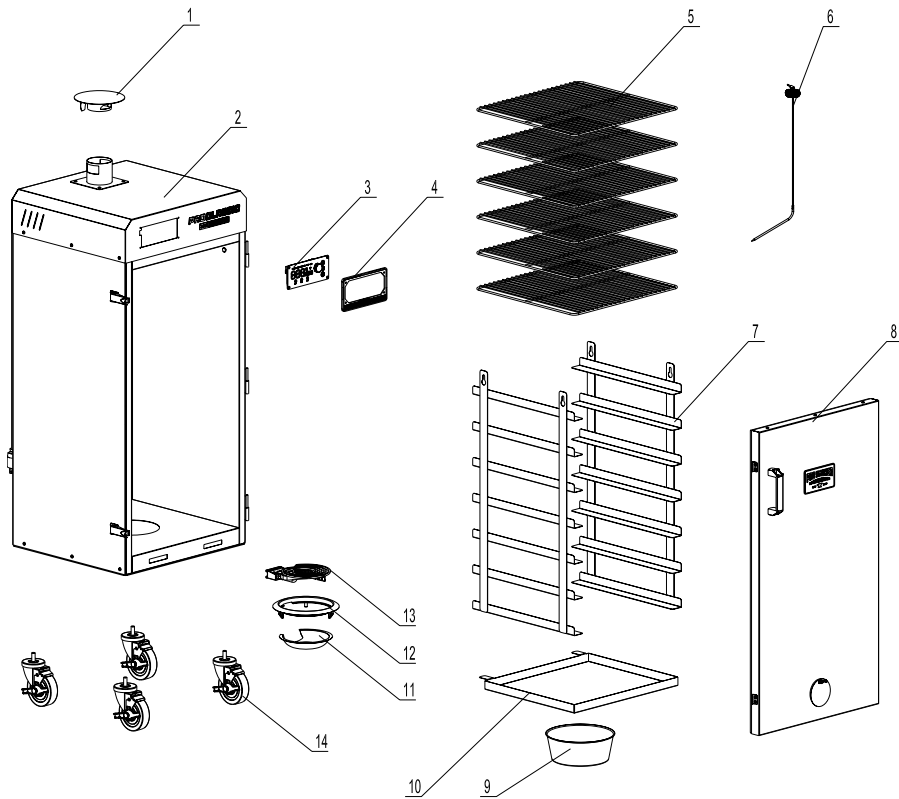
Aperçu de votre fumeur .....	Page 30
Mise en route : Assemblage et configuration .....	Pages 31-32
Fonctionnement de base du fumeur .....	Page 33
Fonctionnement du contrôleur de fumeur .....	Pages 34-35
Nettoyage et entretien .....	Page 36
Dépannage .....	Page 37-38
Recettes .....	Page 39
Kielbasa polonais .....	Page 40
Les hot-dogs .....	Page 41
Bague Bologne .....	Page 42
Saucisse d'été .....	Page 43
Snack Sticks .....	Page 44
Jambon .....	Page 45
Bacon .....	Page 46
Porc effiloché .....	page 47
Côtes levées au barbecue .....	Page 48
Volailles fumées .....	Page 49
Poisson fumé .....	page 50
Poitrine .....	page 51
Viande de boeuf .....	Page 52
Garantie .....	Pages 53-55

### Problèmes ou questions?



Si vous avez des problèmes ou des questions sur l'installation et le démarrage, appelez le fabricant au **1-800-874-1949** (Heures d'ouverture: 8:00 am-4:30 pm) et demandez le service d'assistance pour fumeurs ou visitez notre site Web : [www.pro-smoker.com/support](http://www.pro-smoker.com/support) pour obtenir de l'aide.

# VOTRE FUMEUR APERÇU



Partie#	Description	Quantité	Partie#	Description	Quantité
1	Chapeau de cheminée (03-0075)	1	8	Porte	1
2	Armoire	1	9	Poêle à sciure (04-0154)	1
3	Manette (04-0246)	1	10	Bac de récupération (PS-1018)	1
4	Garniture du contrôleur	1	11	Lêchefrite du brûleur (04-0139)	1
5	Étagères grillagées (04-0181)	6	12	Plaque de brûleur (04-0140)	1
6	Sonde à viande (04-0303)	1	13	Brûleur (04-0142-C)	1
7	Ensemble d'étagè (04-0289-C) resen fil métallique	2	14	Roulettes (04-0603)	4

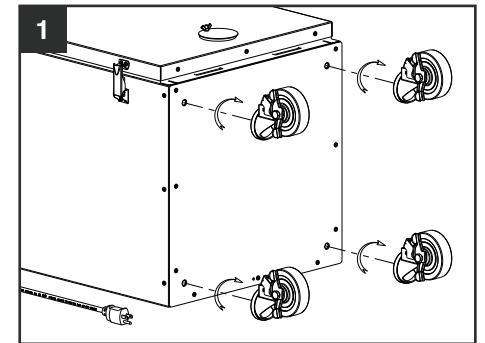
# COMMENCER ASSEMBLAGE ET CONFIGURATION

Lorsque vous recevez votre Pro Smoker pour la première fois, vérifiez tout dommage qui aurait pu survenir pendant le transport de votre fumoir.

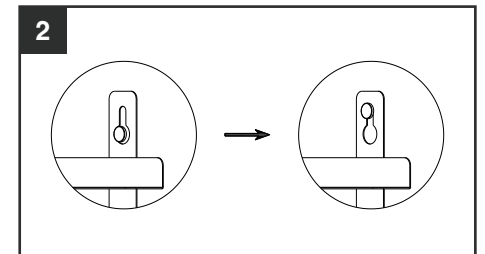
## Instructions de montage

1. Placez le fumoir sur le dos sur un chiffon doux. Serrez les roulettes dans le sens des aiguilles d'une montre.

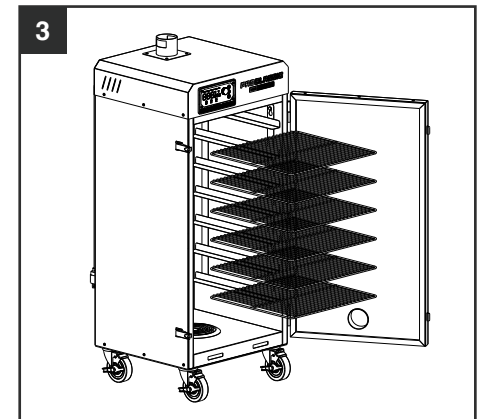
Redressez le fumoir avec roulettes installées.



2. Ouvrez la porte et installez le fil assemblage de rack d'étagères. Alignez le grande extrémité de la fente en trou de serrure du rack avec la colonne fixe sur le panneau latéral de l'intérieur de la carrosserie, ensemble sur le montant fixe du rack, et puis déposez le rack vers le bas haut de la fente.



3. Ensuite, placez les six grilles métalliques sur l'ensemble de crémaillère.





# COMMENCER ASSEMBLAGE ET CONFIGURATION

## Assemblage suite

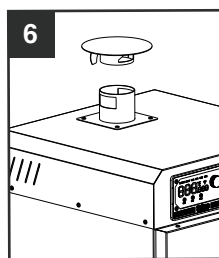
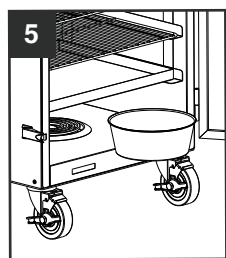
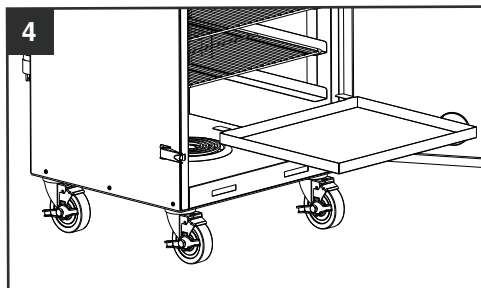
4. Installez le bac d'égouttement du produit: Le le moule (inclus) est formé de 2 languettes d'un côté; les onglets doivent toujours être positionné vers l'arrière de fumoir pour assurer une circulation d'air adéquate.

Astuce: Tapisser le bac d'égouttage avec de l'aluminium feuille avant l'installation pour un nettoyage facile.

5. Placez le bac à sciure sur le brûleur.

6. Placez le chapeau de cheminée sur le dessus cheminée du registre des fumeurs.

L'assemblage est terminé.



## Configuration générale

- Choisissez un endroit bien aéré pour usage fumeur.
- Placez le fumoir sur un support solide, surface plane.
- Branchez le cordon. Remarque: Si une extension un cordon est nécessaire, utilisez uniquement un fil 14-3 cordon jusqu'à 25 pieds et 12-3 fils cordon de 25 à 50 pieds et utilisez uniquement une prise mise à la terre.

*Facultatif : ce fumoir peut être ventilé et utilisé à l'intérieur avec ventilation appropriée. S'il te plaît contactez [info@pro-smoker.com](mailto:info@pro-smoker.com) pour en savoir plus sur la façon d'étendre votre échappement pour une utilisation en intérieur.*

## “Assaisonnez” votre fumoir Pour la première utilisation

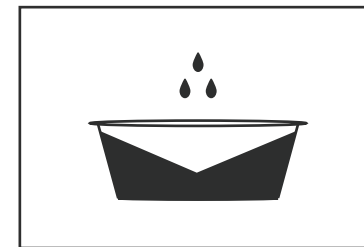
- Appliquez de l'huile de cuisson antiadhésive ou de l'huile minérale au joint de porte. Remarque : Nous vous recommandons de cuisiner vaporiser pour une application facile.
- Réglez le contrôleur sur **Fumée** et sur 37°C.
- Remplir le bac à sciure de bois aux 3/4 environ avec de la sciure de bois Humidifier la sciure de bois et canaliser la sciure de bois pour l'extérieur de la casserole. Augmentez la température à 65°C.
- Registres ouverts à 1/2 pendant le rodage période.
- Après 3 heures, éteignez le contrôle de la température.
- Une fois que le fumoir a complètement refroidi, le le fumoir est maintenant prêt à être utilisé.

# VOTRE FUMEUR OPÉRATION DE BASE

Maintenant que votre Pro Smoker est configuré, vous trouverez ci-dessous quelques directives générales le fonctionnement de votre fumoir.

## Préparation de la sciure de bois dans la casserole

Remplir le moule aux 3/4 avec de la sciure de bois et humidifier abondamment avec de l'eau. Former le mélange en forme d'entonnoir.



*La sciure de bois ne doit être ajoutée qu'en mode **Fumée**.*

## Préparation des copeaux de bois dans la casserole

Remplissez le moule aux 3/4 (environ 5 tasses) de copeaux de bois. Couvrez le moule avec du papier d'aluminium épais et scellez les bords. Percez des trous dans la feuille pour permettre la circulation de l'air.

Pour une fumée plus légère et plus longue, faites tremper les copeaux de bois. Remplissez la casserole aux 3/4 de copeaux de bois (environ 5 tasses) puis couvrez d'eau. Laisser tremper 30 minutes puis filtrer l'excès d'eau. Couvrez le moule avec du papier d'aluminium épais et scellez les bords. Percez des trous dans la feuille pour permettre la circulation de l'air.

### ⚠ DANGER - RISQUE D'INCENDIE ⚠



**NE PAS UTILISER DE GRANULÉS DE BOIS. Utilisez uniquement de la sciure fine ou de petits copeaux de bois dans ce fumoir. L'utilisation de granulés de bois entraînera l'incendie ou la combustion spontanée de votre fumoir, ce qui pourrait entraîner des dommages personnels ou matériels.**

## Position du registre

Les amortisseurs sont situés sur la moitié inférieure de la porte de votre fumoir et sur la cheminée supérieure. La position de vos registres est importante pour contrôler la circulation de l'air dans votre fumoir, affectant la température, la production de fumée et plus encore. Veuillez suivre ces directives pour déterminer comment vos amortisseurs doivent être positionnés. Fermez toujours les registres lorsqu'ils ne sont pas utilisés.

*Remarque: lors du réglage registres, la cheminée supérieure amortisseur et bas de porte l'amortisseur doit toujours être réglé sur la même position.*



**Pour le séchage**  
Amortisseurs grands  
Ouverts



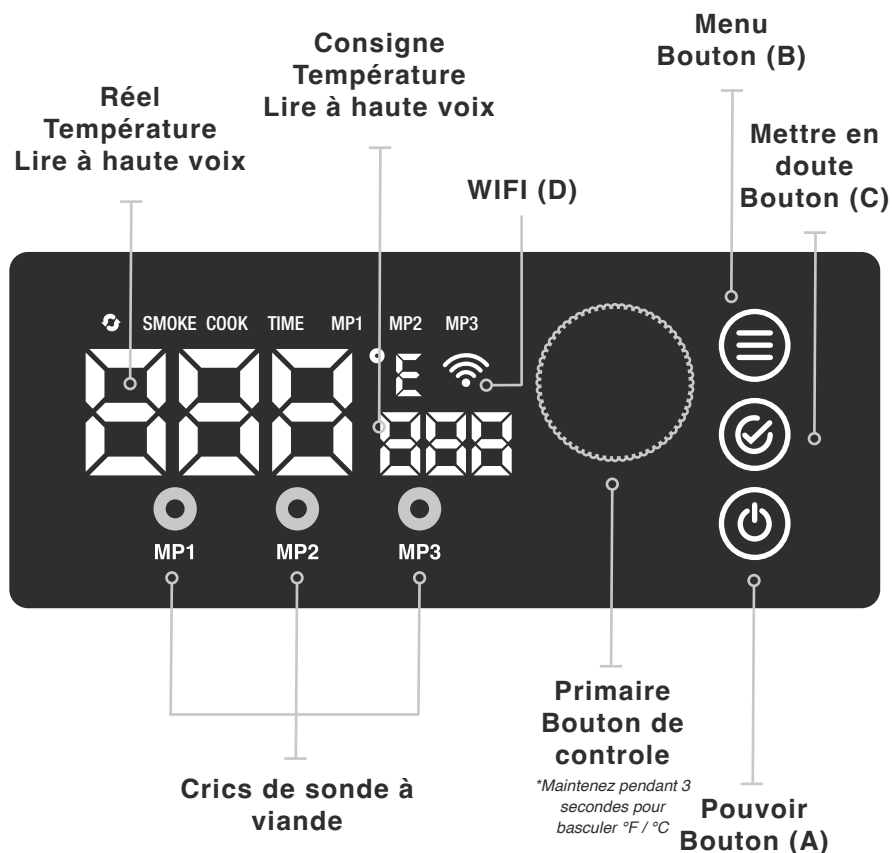
**Pour fumer**  
Amortisseurs 2/3  
Fermés



**Pour cuisiner**  
Amortisseurs  
Fermés

# FONCTIONNEMENT FUMEUR MANETTE

Vous pouvez facilement surveiller la température et vous assurer que votre viande est cuite à la perfection à chaque fois.



## Téléchargez l'application Pro Smoker

Accédez à vos commandes de fumoir via Smartphone, surveillez vos températures de fumée, découvrez des recettes et plus encore !



## A. Bouton d'alimentation

Appuyez sur le bouton d'alimentation pour allumer le contrôleur, tous les voyants d'affichage s'allumeront et le fumoir sera en état de veille en attendant les prochaines étapes. Appuyez sur le bouton d'alimentation pour éteindre.



## B. Bouton de menu

- B1 - Appuyez sur le bouton de menu pour accéder au paramètre "Fumée". Une fois l'icône "Fumée" clignote, appuyez sur la molette pour valider. L'icône Fumée cessera de clignoter et restera allumée, vous pouvez maintenant régler la température de la fumée et commencer à fumer.
- B2 - Appuyez sur le bouton de menu pour accéder au paramètre « Cuisiner ». Une fois que l'icône "Cook" clignote, appuyez sur le bouton pour confirmer. L'icône "Cook" s'arrêtera de clignoter et restera allumée, vous pouvez maintenant régler la température de cuisson et commencer la cuisson.
- B3 - Appuyez sur le bouton de menu pour naviguer jusqu'au paramètre "Heure". Une fois que l'icône "Heure" clignote, appuyez sur le bouton pour confirmer. L'icône "Heure" cessera de clignoter et restera allumée, vous pouvez maintenant régler la minuterie. Réglez d'abord l'heure en tournant le bouton, appuyez sur pour confirmer. Prochaine minute définie par en tournant le bouton, appuyez sur pour confirmer.
- B4-B6 - Appuyez sur le bouton de menu pour naviguer jusqu'au « MP1 » (sonde 1). Une fois l'icône "MP1" clignote, appuyez sur la molette pour valider. L'icône "MP1" cessera de clignoter et restera allumée, vous pouvez maintenant régler la température de la viande de la sonde. Appuyez sur le bouton pour confirmer. Si nécessaire, appuyez à nouveau sur le bouton de menu pour MP2 et MP3 en répétant les mêmes étapes.
- (Remarque : une sonde à viande doit être insérée dans les prises, sinon elles seront ignoré lorsque vous cliquez sur l'icône de menu)*
- B7 - Appuyez sur le bouton de menu pour accéder au paramètre "Cycle". Une fois que l'icône "Cycle" clignote, appuyez sur le bouton pour confirmer. L'icône "Cycle" s'arrêtera de clignoter et restera allumée, votre écran maintenant alterner entre la température du fumoir et la minuterie.



## C. Bouton de requête

Appuyez sur le bouton de requête pour afficher l'heure réglée et la température de la sonde à viande.



## D. WIFI

Lorsque le symbole Wi-Fi clignote, le fumoir n'est pas connecté via Bluetooth ou Wi-Fi. Téléchargez l'application et suivez les invites pour connecter votre fumoir et lier votre appareil. Le symbole WiFi sera solide une fois connecté avec succès.

*\*Le Bluetooth doit être activé sur l'appareil WIFI afin de se connecter au fumoir.*

**Smoke** Plage de température: 26°-82°C | Puissance du brûleur: 725W

Il s'agit du réglage recommandé lors de l'utilisation d'un bac à sciure pour la production de fumée. Une puissance de sortie inférieure du brûleur réduit le risque de brûler de la sciure et produit un cycle de fumée stable plus contrôlé.

*\*Lorsque vous fumez à des températures plus basses, nous vous recommandons de construire un feu couvant sur la sciure de bois à 130 °F, puis de réduire la température de votre fumoir selon les besoins à la plage cible préférée.*

**Cook** Plage de température: 26°-148°C | Puissance du brûleur: 1450W

Il s'agit du réglage recommandé pour la cuisson d'un produit au-dessus de 180 °F. Il peut également être utilisé pour maintenir des températures plus basses sans poêle à sciure et peut être utile lorsque vous fumez dans des climats plus froids, car le réglage du brûleur à puissance plus élevée produira plus de chaleur rayonnante dans le fumoir.

*\*Nous ne recommandons pas ce réglage avec l'utilisation de notre poêle à sciure*

## ENTRETIEN DU FUMEUR

# NETTOYAGE ET ENTRETIEN

Le fumoir est conçu pour nécessiter peu d'entretien et est facile à nettoyer, de sorte que vous pouvez passer moins de temps à nettoyer et plus de temps à profiter de vos viandes fumées. Pour vous assurer que votre Pro Smoker fonctionne correctement, veuillez suivre les conseils de nettoyage suivants :

### Soins généraux

- Avant d'utiliser les clayettes, vaporisez-les avec un spray antiadhésif.
- Tapisser toute la lèchefrite de papier d'aluminium et la changer après chaque utilisation pour un nettoyage facile. et pour éviter l'accumulation de graisse.
- Gardez le joint de votre porte huilé avec de l'huile minérale ou un aérosol de cuisson pour empêcher le joint de collage.

### Nettoyage

- Après chaque utilisation, laissez le fumoir refroidir complètement avant de le nettoyer.
- Ne nettoyez pas complètement les murs intérieurs – enlevez seulement les débris lâches. Le film de fumée sur les murs améliorera la saveur du produit et n'affectera pas les performances du fumoir.
- Retirez les clayettes/bâtons et la lèchefrite et nettoyez-les avec de l'eau chaude savonneuse
  - Utilisez des tampons en laine d'acier savonneuse pour enlever la graisse et les taches cuites
  - Rincez, séchez et rangez les étagères et la casserole à l'intérieur du fumoir

**NE PAS** utiliser des quantités excessives d'eau à l'intérieur du fumoir. Si de l'eau est utilisée, séchez soigneusement l'intérieur avant de l'utiliser.

### Problèmes ou questions ?



Si vous avez des problèmes ou des questions sur l'installation et le démarrage, appelez le fabricant au **1-800-874-1949** (Heures d'ouverture: 8:00 am-4:30 pm CST) et demandez le service d'assistance pour fumeurs ou visitez notre site Web: [www.pro-smoker.com/support](http://www.pro-smoker.com/support) pour obtenir de l'aide.

**Remarque :** Avant d'appeler le service, assurez-vous d'avoir l'électricité à votre fumoir.

# DÉPANNAGE

## ⚠ AVERTISSEMENT ⚠

Débranchez toujours votre fumoir avant d'effectuer toute réparation. Les réparations doivent être effectuées uniquement par du personnel qualifié.

Problème	Cause possible	Solution(s)
Le brûleur de fumée/ chaleur ne s'allume pas	Le fumoir n'est pas branché	Assurez-vous que le fumoir est branché
	Pas d'alimentation de la prise	Vérifier la prise de courant
	Le fusible est grillé	S'il est grillé, remplacez-le - si le fusible saute à nouveau, vérifiez si le brûleur ou les fils sont en court-circuit
Le contrôleur est allumé mais le brûleur ne chauffe pas	Les connexions filaires sont mauvaises	Réparer la connexion du câblage
	Le brûleur est en court-circuit	Remplacer le brûleur
Le contrôleur n'éteindra pas le brûleur	Fil court-circuité	Réparer la connexion du câblage
	Le brûleur est en court-circuit	Remplacer le brûleur
	Le contrôle fonctionne mal	Remplacer le contrôleur
La porte dégage de la fumée aux bords des portes	Le joint de porte est mauvais	Remplacer le joint de porte
Le Fumeur garde Déclencher le GFCI	Puissance de sortie insuffisante	Utilisez une prise de terre de 20 A
	La rallonge est trop longue	Rallonge plus courte et résistante
	Élément ou câblage en court-circuit	Remplacer l'élément ou le câblage
	Corrosion dans le contrôleur	Remplacer les composants corrodés

# DÉPANNAGE A CONTINUÉ

## ⚠ AVERTISSEMENT ⚠

Débranchez toujours votre fumoir avant d'effectuer toute réparation.  
Les réparations doivent être effectuées uniquement par du personnel qualifié.

Problème	Cause possible	Solution(s)
Indicateur d'erreur Er1 Circuit ouvert RTD ou défaut de court-circuit	Le câble RTD n'est pas branché dans correctement	Assurez-vous que le câble RTD est branché correctement
	Défaillance RTD	Remplacer RTD
	Le contrôleur est défectueux	Remplacer le contrôleur
Indicateur d'erreur ErH Temperature fault	La température est trop élevée	Éteignez et laissez refroidir
	Défaillance RTD	Remplacer RTD
	Le contrôleur est défectueux	Remplacer le contrôleur
Indicateur d'erreur ErC Cuire le chauffage Défaut De Fil	Cook cable is not plugged in correctly	Le câble de cuisson n'est pas branché correctement
	Cuire le défaut du fil chauffant	Remplacer le fil chauffant Cook
	Contrôleur défectueux	Remplacer le contrôleur
Indicateur d'erreur ErS Chauffage à la fumée Défaut De Fil	Le câble de fumée n'est pas branché correctement	Assurez-vous que le câble Smoke est correctement branché
	Défaut fil chauffant fumée	Remplacer le fil chauffant de fumée
	Contrôleur défectueux	Remplacer le contrôleur



*L'Officiel*

## RECETTE DU FUMOIR LIVRE DE RECETTES

Maintenant que vous avez appris à faire fonctionner votre fumoir, commençons à fumer! Pour ceux qui débutent dans le tabagisme ou qui recherchent de l'inspiration, nous avons rassemblé une collection des recettes préférées de la famille Hanni pour vous aider à démarrer. Au fur et à mesure que vous gagnez expérience avec votre fumoir, n'hésitez pas à expérimenter avec perfectionner vos propres recettes. Nous avons hâte de voir ce que vous préparez.

### FAITES-NOUS UN CRI

Faire quelque chose dans votre fumoir qui est trop bon pour ne pas le partager ? Assurez-vous de nous identifier @PROSMOKERWI sur votre prochaine publication sur les réseaux sociaux.



### FAITES DES STOCKS DE FOURNITURES

Vous avez besoin d'assaisonnements, de boyaux ou de fournitures pour votre prochaine création ? Nous avons ce qu'il vous faut. Scannez ce code QR ou rendez-vous sur [psseasoning.com](http://psseasoning.com) pour trouver tout ce dont vous aurez besoin.

### PLUS DE RECETTES ET TUTORIELS

De la saucisse de chevreuil au fromage fumé, découvrez notre collection complète de recettes & tutoriels en scannant ce QR code ou en allez sur [pro-smoker.com/recipes](http://pro-smoker.com/recipes).



## RECETTE DU FUMOIR

# KIELBASA POLONAIS



**Taper:**  
Saucisse



**Taille du lot:**  
11 kg



**Temps total:**  
23-25 Heures

### Ingrédients

- 6.8 kg – Parures de bœuf
- 4.5 kg – Parures de porc
- 0.7-0.9 litres – Eau distillée
- Assaisonnement polonais Kielbasa & Cure (pour 11 kg de viande)
- Boyaux naturels de porc de 38 à 42 mm

### Choix du pro: Assaisonnement PS

- Kit de vernis fumé  
*Comprend l'assaisonnement et les boyaux & Guérir*

### Préparation

1. Préparer les boyaux en les rinçant, puis les tremper au chaud eau pendant 30 minutes.
2. Hachez le bœuf et le porc ensemble une fois dans un Plaque 3/8".
3. Rebroyez une fois à travers une plaque de 3/16".
4. Ajouter l'assaisonnement à la viande et mélanger pendant 2 minutes jusqu'à ce qu'il soit complètement incorporé.
5. Mélangez la sauce avec de l'eau, puis ajoutez-la au bloc de viande.
6. Continuez à mélanger pendant 5 à 7 minutes supplémentaires jusqu'à ce que le bloc de viande devienne très collant.
7. Chargez le bloc de viande dans le poussoir et farcissez-le dans les boyaux.
8. Reliez les saucisses en sections de 7 pouces.
9. Laissez les saucisses au réfrigérateur toute la nuit pour permettre développement de la saveur et de la cure.
10. Tapisser le bac d'égouttage du fumoir avec une nouvelle feuille d'aluminium.

### Procédure de Tabagisme

1. Préchauffer le fumoir à 45°C en mode **Fumée** avec les registres grands ouverts.
2. Suspendez les saucisses sur des bâtons de fumée (évitiez le surpeuplement pour une circulation d'air optimale).
3. Insérez la sonde à viande dans une saucisse pour surveiller la température.
4. Saucisse sèche à 45°C pendant 2 heures.
5. Augmentez la température à 50°C, faites fonctionner 1 heure.
6. Remplissez le bac aux 3/4 de sciure de bois et humidifiez-le soigneusement avec de l'eau. Verser le mélange dans un entonnoir façonner et placer sur l'élément chauffant.
7. Augmentez la température à 55°C. Réglez les registres aux 2/3 fermés. Courez 1 heure.
8. Augmentez la température à 60°C, faites fonctionner 1 heure.
9. Retirez délicatement le bac à sciure et augmentez la température à 65°C, faites fonctionner 1 heure.
10. Augmentez la température à 70°C, faites fonctionner 1 heure.
11. Augmentez la température à 80°C et faites fonctionner jusqu'à ce que la température interne de la saucisse atteigne 71°C. (2-4h)
12. Retirez la saucisse du fumoir et placez-la dans un bain de glace jusqu'à ce que la température interne descende à 37°C.
13. Suspendez les saucisses à température ambiante pendant 2 heures pour qu'elles fleurissent.
14. Conserver au réfrigérateur jusqu'à 2 semaines ou au congélateur jusqu'à 6 mois.

## RECETTE DU FUMOIR

# LES HOT-DOGS



**Taper:**  
Saucisse



**Taille du lot:**  
11 kg



**Temps total:**  
18-22 Heures

### Ingrédients

- 6.8 kg. - Garnitures de boeuf
- 4.5 kg. - Garnitures de porc
- 0.7-0.9 litres – Eau distillée
- Assaisonnement et cure pour saucisses fumées (Pour 11 kg de Viande)
- Boyaux naturels de mouton de 24 à 26 mm

### Choix du pro: Assaisonnement PS

- Ruban bleu No 155  
Assaisonnement pour saucisses fumées

### Préparation

1. Rincer les boyaux et les tremper dans l'eau tiède pendant 30 minutes.
2. Hacher le bœuf et le porc ensemble une fois cuits une plaque de 3/8".
3. Rebroyez une fois à travers une plaque de 3/16".  
Facultatif : Pour un hot dog plus fin et plus traditionnel, rebroyez à travers une plaque de 1/8".
4. Ajouter l'assaisonnement à la viande et mélanger pendant 2 minutes jusqu'à ce qu'il soit complètement incorporé.
5. Mélangez la sauce avec de l'eau, puis ajoutez-la au bloc de viande.
6. Continuez à mélanger pendant 5 à 7 minutes supplémentaires jusqu'à ce que le bloc de viande devienne très collant.
7. Chargez le bloc de viande dans le poussoir et farcissez-le dans les boyaux.
8. Reliez les hot-dogs en sections de 7 pouces.
9. Laissez les hot-dogs au réfrigérateur pendant la nuit pour laisser la saveur et guérir le développement.
10. Tapisser le bac d'égouttage du fumoir avec une nouvelle feuille d'aluminium.

### Smoking Procedure

1. Préchauffez le fumoir à 55°C en mode **Fumée** avec les registres grands ouverts.
2. Suspendez les hot-dogs sur des bâtons de fumée (évitiez le surpeuplement pour une circulation d'air optimale).
3. Insérez la sonde à viande pour surveiller la température.
4. Sécher les hot-dogs à 55°C pendant 2 heures.
5. Remplissez le bac aux 3/4 de sciure de bois et humidifiez-le soigneusement avec de l'eau. Verser le mélange dans un entonnoir façonner et placer sur l'élément chauffant.
6. Augmentez la température à 80°C. Réglez les registres aux 2/3 fermés.
7. Faites fonctionner jusqu'à ce que la température interne des hot-dogs atteigne 71°C. (4-6h)
8. Retirez les hot-dogs du fumoir et placez-les dans un bain de glace jusqu'à ce que la température interne descende à 37°C.
9. Suspendez les hot-dogs à température ambiante pendant 2 heures pour qu'ils fleurissent.
10. Conserver au réfrigérateur jusqu'à 2 semaines ou au congélateur jusqu'à 6 mois.

# RECETTE DU FUMOIR

## BAGUE BOLOGNE



**Taper:**  
Saucisse



**Taille du lot:**  
11 kg.



**Temps total:**  
21-23 Heures

### Ingrédients

- 5.8 kg. - Parures de bœuf maigre
- 5.4 kg. - Garnitures de porc maigre
- 0.7-0.9 litres – Eau distillée
- Assaisonnement et cure de Bologne (pour 11 kg de viande)
- Boîtiers - 40 mm ou 43 mm Tours à égalité

### Choix du pro: Assaisonnement PS

- Ruban bleu No 211 Assaisonnement Bologne
- No 665 Assaisonnement Bologne (pas de MSG)

### Préparation

1. Préparer les boyaux en les rinçant puis les tremper eau tiède pendant 30 minutes.
2. Hacher le bœuf et le porc ensemble une fois cuits une plaque de 3/8".
3. Rebroyez une fois à travers une plaque de 3/16".
4. Ajouter l'assaisonnement à la viande et mélanger pendant 2 minutes jusqu'à ce qu'il soit complètement incorporé.
5. Mélangez la sauce avec de l'eau, puis ajoutez-la au bloc de viande.
6. Continuez à mélanger pendant 5 à 7 minutes supplémentaires jusqu'à ce que le bloc de viande devienne très collant
7. Chargez le bloc de viande dans le poussoir et farcissez-le dans les boyaux. Attachez les extrémités.
8. Laissez les saucisses au réfrigérateur toute la nuit pour permettre développement de la saveur et de la cure.
9. Tapiser le bac d'égouttage du fumoir avec une nouvelle feuille d'aluminium.

### Procédure de Tabagisme

1. Préchauffer le fumoir à 55°C en mode **Fumée** avec les registres grands ouverts.
2. Accrochez l'anneau de Bologne sur des bâtons de fumée (évitiez le surpeuplement pour une circulation d'air optimale).
3. Insérez la sonde à viande dans un lien pour surveiller la température.
4. Séchez l'anneau de Bologne à 55°C pendant 2 heures.
5. Remplissez le bac aux 3/4 de sciure de bois et humidifiez-le soigneusement avec de l'eau. Former le mélange en forme d'entonnoir et placez-le sur l'élément chauffant.
6. Augmentez la température à 75°C. Réglez les registres aux 2/3 fermés.
7. Faites fonctionner jusqu'à ce que la température interne de l'anneau de Bologne atteigne 71°C. (6-8h).
8. Retirez l'anneau de Bologne du fumoir et placez-le dans un bain de glace jusqu'à ce que la température interne descende à 37°C.
9. Suspendez l'anneau de Bologne à température ambiante pendant 2 heures pour qu'il fleurisse.
10. Conserver au réfrigérateur jusqu'à 2 semaines ou au congélateur jusqu'à 6 mois.

# RECETTE DU FUMOIR

## SAUCISSE D'ÉTÉ



**Taper:**  
Saucisse



**Taille du lot:**  
11 kg.



**Temps total:**  
23-25 Heures

### Ingrédients

- 6.8 kg – Parures de bœuf ou chevreuil
- 4.5 kg - Parures de porc
- 0.7-0.9 litres – Eau distillée
- Assaisonnement pour saucisses d'été et Cure (pour 11 kg de Viande)
- Boîtiers en acajou 2 1/2" X 12"

### Choix du pro: Assaisonnement PS

- Kit de saucisses d'été à l'ail Comprend l'assaisonnement et les boyaux & Guérir

### Préparation

1. Préparez les boyaux en les rinçant puis en les trempant eau tiède pendant 30 minutes.
2. Hachez ensemble le bœuf (ou le chevreuil) et le porc une fois à travers une plaque de 3/8".
3. Rebroyez une fois à travers une plaque de 3/16".
4. Ajouter l'assaisonnement à la viande et mélanger pendant 2 minutes jusqu'à ce qu'il soit complètement incorporé.
5. Mélangez la sauce avec de l'eau, puis ajoutez-la au bloc de viande.
6. Continuez à mélanger pendant 5 à 7 minutes supplémentaires jusqu'à ce que le bloc de viande devienne très collant.
7. Chargez le bloc de viande dans le poussoir et farcissez-le dans les boyaux. Attachez les extrémités.
8. Laissez les saucisses au réfrigérateur toute la nuit pour permettre développement de la saveur et de la cure.
9. Tapiser le bac d'égouttage du fumoir avec une nouvelle feuille d'aluminium.

### Procédure de tabagisme

1. Préchauffer le fumoir à 43°C en mode Fumée avec les registres grands ouverts.
2. Suspendez les saucisses sur des bâtons de fumée (évitiez le surpeuplement pour une circulation d'air optimale). Si vous n'avez pas de bâtons de fumée, les saucisses peuvent être déposées directement sur des grilles.
3. Insérez la sonde à viande dans une saucisse pour surveiller la température.
4. Saucisse sèche à 43°C pendant 2 heures.
5. Augmentez la température à 48°C, faites fonctionner 1 heure.
6. Remplissez le bac aux 3/4 de sciure de bois et humidifiez-le soigneusement avec de l'eau. Verser le mélange dans un entonnoir façonner et placer sur l'élément chauffant.
7. Augmentez la température à 54°C. Réglez les registres aux 2/3 fermés, faites fonctionner 1 heure.
8. Augmentez la température à 60°C, faites fonctionner 1 heure.
9. Retirez délicatement le bac à sciure et augmentez la température à 65°C, faites fonctionner 1 heure.
10. Augmentez la température à 71°C, faites fonctionner 1 heure.
11. Augmentez la température à 80°C et faites fonctionner jusqu'à ce que la température interne de la saucisse d'été soit atteinte. atteint 68°C. (2-4h)
12. Retirez la saucisse du fumoir et placez-la dans un bain de glace jusqu'à ce que la température interne descende à 37°C.
13. Suspendez les saucisses à température ambiante pendant 2 heures pour qu'elles fleurissent.
14. Conserver au réfrigérateur jusqu'à 2 semaines ou au congélateur jusqu'à 6 mois.

## RECETTE DU FUMOIR

# BÂTONNETS DE COLLATION



**Taper:**  
Saucisse



**Taille du lot:**  
11 kg.



**Temps total:**  
22-24 Heures

### Ingrédients

- 6.8 kg – Parures de bœuf ou chevreuil
- 4.5 kg – Parures de porc
- 0.7-0.95 kg – Eau distillée
- Assaisonnement et cure pour bâtonnets de collation pour 25 lb de viande
- Boîtiers de collagène de 21 mm ou Boyaux naturels de mouton

### Choix du pro: Assaisonnement PS

- Kit de bâtonnets de collation originaux  
Comprend l'assaisonnement et les boyaux & Guérir
- Kit de bâtonnets de collation chaude  
Comprend l'assaisonnement et les boyaux & Guérir

### Préparation

1. Si vous utilisez des boyaux de mouton, préparez-les en les rinçant, puis tremper dans l'eau tiède pendant 30 minutes.
2. Hacher le bœuf (ou le chevreuil) et le porc ensemble une fois à travers une plaque de 3/8".
3. Rebroyez une fois à travers une plaque de 3/16".
4. Ajouter l'assaisonnement à la viande et mélanger pendant 2 minutes jusqu'à ce qu'il soit complètement incorporé.
5. Mélangez la sauce avec de l'eau, puis ajoutez-la au bloc de viande.
6. Continuez à mélanger pendant 5 à 7 minutes supplémentaires jusqu'à ce que le bloc de viande devient très collant.
7. Chargez le bloc de viande dans le poussoir et farcissez-le dans les boyaux.
8. Laissez les bâtonnets de collation au réfrigérateur pendant la nuit pour laisser la saveur et guérir le développement.
9. Tapiser le bac d'égouttage du fumoir avec une nouvelle feuille d'aluminium.

### Procédure de tabagisme

1. Préchauffer le fumoir à 43°C en mode **Fumée** avec les registres grands ouverts.
2. Accrochez des bâtonnets de collation sur des bâtons de fumée (évités de les surcharger pour une circulation d'air optimale). Si vous n'avez pas de bâtons de fumée, les bâtonnets de collation peuvent être posés directement sur des grilles.
3. Insérez la sonde à viande pour surveiller la température.
4. Sécher les bâtonnets de collation à 43°C pendant 2 heures.
5. Augmentez la température à 48°C, faites fonctionner 1 heure.
6. Remplissez le bac aux 3/4 de sciure de bois et humidifiez-le soigneusement avec de l'eau. Former le mélange en J forme d'entonnoir et le placer sur l'élément chauffant.
7. Augmentez la température à 54°C. Réglez les registres aux 2/3 fermés, faites fonctionner 1 heure.
8. Augmentez la température à 60°C, faites fonctionner 1 heure.
9. Retirez délicatement le bac à sciure et augmentez la température à 65°C, faites fonctionner 1 heure.
10. Augmentez la température à 71°C, faites fonctionner 1 heure.
11. Augmentez la température à 82°C et faites fonctionner jusqu'à ce que la température interne des bâtonnets de collation atteint 71°C. (1-3 heures)
12. Retirez les bâtonnets de collation du fumoir et placez-les dans un bain de glace jusqu'à ce que la température interne descend à 37°C.
13. Suspendez les bâtonnets de collation à température ambiante pendant 2 heures pour qu'ils fleurissent.
14. Conserver au réfrigérateur jusqu'à 2 semaines ou au congélateur jusqu'à 6 mois.

## RECETTE DU FUMOIR

# JAMBON ENTIER



**Taper:**  
Porc



**Taille du lot:**  
7.25 - 8.16 kg.



**Temps total:**  
9-10 Jours

### Ingrédients

- 7.25-8.16 kg – Jambon entier (non séché)
- Cure - Pré-mesure du poids de jambon
- Assaisonnement, si désiré

### Choix du pro: Assaisonnement PS

- Guérison rapide
- Mélange de viande d'érable et de saumure
- Frotter la tarte aux pommes

### Préparation

1. Séchez le jambon avec du papier absorbant.
2. Suivez les instructions de durcissement fournies avec votre cure – l'utilisation varie en fonction de la cure et du poids de la viande.
3. Après le séchage, retirez le jambon de la saumure et rincez bien avec de l'eau froide.
4. Séchez avec du papier absorbant et placez au réfrigérateur toute la nuit pour sécher.
5. Sortez le jambon du réfrigérateur et assaisonnez localement. Reposer à température ambiante pendant que le fumoir préchauffe.
6. Tapiser le bac d'égouttage du fumoir avec une nouvelle feuille d'aluminium.

### Procédure de tabagisme

1. Préchauffer le fumoir à 82°C en mode **Fumée** avec les registres fermés aux 2/3.
2. Placez le jambon en jersey puis attachez-le à un bâton de fumée. Accrochez le jambon dessus a sonné chez le fumeur. Si vous n'avez pas de jersey ou de bâton de fumée, vous pouvez placer le jambon sur une grille dans votre fumeur. Nous recommandons un jersey pour de meilleurs résultats.
3. Placez une sonde à viande dans le jambon pour surveiller la température.
4. Faites fonctionner jusqu'à ce que la température interne atteigne 90°F. (3-4 heures).
5. Remplissez le moule aux 3/4 de sciure de bois et humidifiez-le soigneusement avec de l'eau, puis formez un forme d'entonnoir. Placez la casserole sur l'élément chauffant.
6. Fumez pendant 3 heures.
7. Retirez délicatement le bac à sciure et réglez le réglage sur Cuisson. Augmenter la température du fumeur à 107°C. Fermez complètement les registres.
8. Cuire jusqu'à ce que la température interne du jambon atteigne 65°C. (4-5 heures)  
Conseil de pro : Si vous utilisez de la sauce, arrosez généreusement pendant 30 minutes de cuisson.
9. Retirer du fumoir et laisser reposer 1 heure avant de trancher ou de refroidir complètement.

# RECETTE DU FUMOIR

## LARD FUMÉLARD



**Taper:**  
Porc



**Taille du lot:**  
9 kg.



**Temps total:**  
1-2 Semaines

### Ingrédients

- 9 kg – Poitrine de porc (portion de 5 lb)
- Bacon Cure - Pour 9 kg de viande
- Frottement topique, si désiré

### Choix du pro: Assaisonnement PS

- Cure de viande d'érable (humide)
- PS Bacon Dry Rub Cure (sec)
- Frottement Big Kahuna
- Frottement chaud contre les piqûres d'abeilles

### Préparation

1. Séchez la poitrine de porc avec du papier absorbant.
2. Suivez les instructions de durcissement fournies avec votre cure de bacon – la cure humide et la cure sèche auront processus différents et les deux offriront des résultats fantastiques.
3. Une fois durcies, rincez les poitrines de porc à l'eau froide arrosez et séchez avec du papier absorbant.
4. Placez les poitrines de porc sur des plateaux tapissés de grilles et au réfrigérateur toute la nuit pour sécher.
5. Sortez les poitrines de porc du réfrigérateur et reposez-les à température ambiante pendant que le fumoir préchauffe. Si vous utilisez un produit topique, appliquez-le à ce stade.
6. Tapissez le bac d'égouttage du fumoir avec une nouvelle feuille d'aluminium.

### Procédure de tabagisme

1. Préchauffer le fumoir à 82°C en mode **Fumée** avec les registres grands ouverts.
2. Placez les poitrines de porc sur une grille, côté gras vers le haut, puis placez-les dans le fumoir.
3. Insérez une sonde à viande pour surveiller la température.
4. Faites fonctionner jusqu'à ce que la température interne atteigne 32°C (environ 1 heure).
5. Remplissez le bac aux 3/4 de sciure de bois et humidifiez-le soigneusement avec de l'eau. Versez le mélange dans un entonnoir façonner et placer sur l'élément chauffant.
6. Réglez les registres aux 2/3 fermés et fumez pendant 2 heures.
7. Retirez délicatement le bac à sciure du fumoir.
8. Passez en mode Cuisson et augmentez la température à 107°C, fermez les registres.
9. Faites fonctionner jusqu'à ce que la température interne atteigne 66°C (2 à 4 heures).
10. Retirez le bacon du fumoir et laissez-le reposer à température ambiante pendant 30 minutes avant de le placer au réfrigérateur pour refroidir complètement.

# RECETTE DU FUMOIR

## PORC EFFILOCHÉ



**Taper:**  
Porc



**Taille du lot:**  
7.25 - 9.07 kg.



**Temps total:**  
14-20 Heures

### Ingrédients

- 2 – Épaule ou mégots de porc (3.6-4.5 kg en moyenne)
- 0.11 litres – moutarde
- 0.59 litres - BBQ Rub

### Choix du pro: Assaisonnement PS

- Moutarde de Brew City
- Notoire PIG Rub

### Préparation

1. Assécher le porc avec une serviette en papier et parer comme requis.
2. Marquez le gros bonnet selon un motif hachuré.
3. Badigeonner le porc de moutarde et assaisonner généreusement de tous côtés.
4. Laisser le porc reposer à température ambiante pendant 45 minutes pendant que le fumoir préchauffe.
5. Tapisser le bac d'égouttage du fumoir avec une nouvelle feuille d'aluminium.

### Procédure de tabagisme

1. Préchauffer le fumoir à 82°C en mode **Fumée** avec les registres fermés aux 2/3.
2. Placez les mégots de porc sur des grilles séparées dans le fumoir, le capuchon gras vers le haut.
3. Insérez la sonde à viande pour surveiller la température.
4. Faites fonctionner jusqu'à ce que la température interne atteigne 32°C (2 à 4 heures).
5. Remplissez le bac aux 3/4 de sciure de bois et humidifiez-le soigneusement avec de l'eau. Versez le mélange dans un entonnoir façonner et placer sur l'élément chauffant.
6. Fumez jusqu'à ce que la température interne atteigne 74°C (3 à 5 heures).
7. Retirez le porc du fumoir et enveloppez-le bien dans du papier de boucherie.
8. Remettez le porc enveloppé dans le fumoir et insérez la sonde à viande.
9. Retirez délicatement le bac à sciure du fumoir.
10. Passez en mode Cuisson et augmentez la température à 121°C, fermez les registres.
11. Faites fonctionner jusqu'à ce que la température interne atteigne 93°C (8 à 10 heures).
12. Retirez le porc du fumoir et placez-le dans une glacière vide pour qu'il repose pendant au moins 1 heure, mais jusqu'à 3 heures. Déchiquetez et dégustez.



# RECETTE DU FUMOIR CÔTES BBQ



**Taper:**  
Porc



**Taille du lot:**  
2.7 - 3.6 kg



**Temps total:**  
5-7 Heures

## Ingrédients

- 4 carrés – Côtes de dos de porc
- 0.07 liters – moutarde
- 237 g – Assaisonnement
- 0.06 liters de vinaigre de cidre de pomme
- 0.24 liters – sauce barbecue

## Choix du pro: Assaisonnement PS

- Moutarde de Brew City
- Frotter les côtes au ruban bleu
- Sauce barbecue aux cerises

## Préparation

1. Séchez les côtes avec du papier absorbant et retirez la membrane.
2. Badigeonner les côtes levées de moutarde et assaisonner généreusement de tous les côtés.
3. Laissez les côtes reposer à température ambiante pendant le fumoir préchauffe.
4. Tapisser le bac d'égouttage du fumoir avec une nouvelle feuille d'aluminium.

## Procédure de tabagisme

1. Préchauffer le fumoir à 82°C en mode **Fumée** avec les registres fermés aux 2/3.
2. Placez les côtes levées sur les grilles, côté os vers le bas, puis placez-les dans le fumoir.
3. Remplissez le bac aux 3/4 de sciure de bois et humidifiez-le soigneusement avec de l'eau. Verser le mélange dans un entonnoir façonner et placer sur l'élément chauffant.
4. Fumez pendant 2 heures.
5. Ouvrez le fumoir pour vaporiser les côtes levées avec du vinaigre de cidre de pomme et retirez délicatement le bac à sciure. du fumeur.
6. Passez en mode Cuisson et augmentez la température à 121°C, fermez les registres.
7. Faites fonctionner pendant 3 à 5 heures jusqu'à la tendreté désirée. (conseil de pro : faites des côtes levées avec du vinaigre de cidre de pomme tous les heures pour maintenir l'humidité)  
*Facultatif: Une fois les côtes cuites, arrosez légèrement de sauce puis remettez au fumoir pour un moment. 20 minutes supplémentaires.*
8. Retirez les côtes du fumoir et laissez reposer 10 minutes avant de servir.

# RECETTE DU FUMOIR DINDE FUMÉE



**Taper:**  
Turquie



**Batch Size:**  
7.25 - 9 kg.



**Temps total:**  
18-22 Heures

## Ingrédients

- Dinde entière (7.25 - 9 kg)
- Kit de saumure de dinde
- 0.014 Liters - Huile d'olive
- 178 g - Assaisonnement

## Choix du pro: Assaisonnement PS

- Kit de dinde Topsy Tom (Comprend le mélange de saumure, le frottement et le sac)

## Préparation

1. Préparez la dinde selon les instructions sur kit de saumure.
2. Retirez la dinde de la saumure et rincez abondamment avec de l'eau froide. Séchez ensuite avec du papier absorbant.
3. Arroser la dinde d'huile d'olive et frotter la peau.
4. Assaisonnez généreusement. Attachez/habillez la dinde.
5. Laissez la dinde reposer à température ambiante pendant 1 heure avant de passer au fumoir.
6. Tapisser le bac d'égouttage du fumoir avec une nouvelle feuille d'aluminium.

## Procédure de tabagisme

1. Préchauffer le fumoir à 82°C en mode **Fumée** avec les registres fermés aux 2/3.
2. Placer la dinde sur une grille, poitrine vers le haut. Placez un plat en aluminium sur une grille sous la dinde pour récupérer les jus de cuisson (conseil de pro : utilisez les jus de cuisson pour la sauce).
3. Insérez une sonde à viande pour surveiller la température.
4. Faites fonctionner jusqu'à ce que la température interne atteigne 32°C (environ 1 heure).
5. Remplissez le bac aux 3/4 de sciure de bois et humidifiez-le soigneusement avec de l'eau. Verser le mélange dans un entonnoir façonner et placer sur l'élément chauffant.
6. Réglez les registres aux 2/3 fermés et fumez pendant 2 heures.
7. Retirez délicatement le bac à sciure.
8. Changez le réglage sur Cook et augmentez la température à 135°C, fermez les registres.
9. Cuire jusqu'à ce que la dinde atteigne une température interne de 76°C. (environ 3-4 heures)  
Conseil de pro : Pour rendre la peau croustillante, terminez votre dinde dans un four préchauffé à 204°C pendant 15 à 20 minutes.
10. Retirer du fumoir et laisser reposer 30 à 45 minutes avant de découper.

# RECETTE DU FUMOIR

## SAUMON FUMÉ



**Taper:**  
Poisson



**Taille du lot:**  
2.72 kg.



**Temps total:**  
3-4 Heures

### Ingrédients

- 2.72 kg. - Filets de Saumon (Environ 2 côtés, écaillés et désossés)
- 0.06 Liters - Moutarde
- 237 g - Assaisonnement

### Choix du pro: Assaisonnement PS

- Moutarde piquante au miel
- Frottement chaud contre les piqûres d'abeilles

### Or

- Moutarde à l'Aneth
- Assaisonnement épicé pour cornichons

### Préparation

1. Séchez le saumon avec du papier absorbant.
2. Badigeonner chaque filet de 2 To de moutarde.
3. Assaisonnez généreusement le saumon avec votre choix d'assaisonnement.
4. Laisser le saumon reposer à température ambiante pendant que le fumoir préchauffe.
5. Tapisser le bac d'égouttage du fumoir avec une nouvelle feuille d'aluminium.

### Procédure de tabagisme

1. Préchauffer le fumoir à 82°C en mode **Fumée** avec les registres fermés aux 2/3.
2. Placez le saumon sur des grilles, côté peau vers le bas, et placez-le dans le fumoir.
3. Insérez une sonde à viande pour surveiller la température.
4. Courez pendant 1 heure.
5. Remplissez le bac aux 3/4 de sciure de bois et humidifiez-le soigneusement avec de l'eau. Verser le mélange dans un entonnoir façonner et placer sur l'élément chauffant.
6. Fumez jusqu'à ce que la température interne atteigne 62°C (2-3 heures).
7. Tirez et laissez reposer 10 minutes avant de servir ou de laisser refroidir complètement.

# RECETTE DU FUMOIR

## POITRINE FUMÉE



**Taper:**  
Bœuf



**Taille du lot:**  
9.07 - 13.6 kg.



**Temps total:**  
14-22 Heures

### Ingrédients

- 2 poitrines de bœuf (4.5 - 6.8 kg en moyenne)
- 0.11 liters – moutarde
- 300g - Assaisonnement

### Choix du pro: Assaisonnement PS

- Moutarde de Brew City
- Le massage SPG général

### Préparation

1. Séchez la poitrine avec une serviette en papier.
2. Coupez la poitrine au besoin et apportez le gras bouchon jusqu'à ¼".
3. Badigeonnez les poitrines de moutarde puis assaisonnez généreusement tous les côtés avec l'assaisonnement.
4. Laisser reposer à température ambiante pendant que le fumoir préchauffe (45 minutes).
5. Tapisser le bac d'égouttage du fumoir avec une nouvelle feuille d'aluminium.

### Procédure de tabagisme

1. Préchauffez le fumoir à 82°C en mode **Fumée** et réglez les registres aux 2/3 fermés.
2. Placez les poitrines de bœuf sur des grilles séparées dans le fumoir, le capuchon gras vers le haut.
3. Insérez la sonde à viande pour surveiller la température.
4. Faites fonctionner pendant 2 à 4 heures jusqu'à ce que la température interne atteigne 32°C.
5. Remplissez le moule aux 3/4 de sciure de bois et humidifiez-le soigneusement avec de l'eau, puis formez un entonnoir. Placez la casserole sur l'élément chauffant.
6. Fumez pendant 3 à 5 heures jusqu'à ce que la température interne atteigne 73°C.
7. Retirez les poitrines du fumoir et enveloppez-les bien dans du papier de boucherie, puis remettez-les dans le fumeur. Remplacez la sonde à viande et retirez le bac à sciure.
8. Passez en mode Cuisson et augmentez la température à 107°C, fermez les registres.
9. Cuire jusqu'à ce que la température interne de la poitrine atteigne 88-90°C.
10. Retirez la poitrine du fumoir et placez-la dans une glacière vide pour qu'elle repose pendant au moins 1 heure, mais jusqu'à 3 heures.

# RECETTE DU FUMOIR

## BEEF JERKY



**Taper:**  
Bœuf



**Taille du lot:**  
2.26 kg.



**Temps total:**  
24-27 Heures

### Ingrédients

- 2.26 kg - Bœuf maigre
- Assaisonnement et cure pour la viande séchée
- 0.24 liters - Eau

### Choix du pro: Assaisonnement PS

- Kit de viande séchée au poivre concassé et à l'ail
- Kit de viande séchée de côtes de bœuf au beurre
- Kit de viande séchée aux jalapenos et à l'éradle

### Préparation

1. Mélanger l'assaisonnement séché et guérir avec 1 tasse d'eau et remuer jusqu'à ce que le tout soit bien mélangé.
2. Trancher le bœuf à contre-courant, en tranches de ¼" à 3/8" (l'utilisation d'une trancheuse à viande vous donnera les meilleurs résultats)
3. Mélangez les tranches de viande et la marinade séchée ensemble dans un bol et mélanger jusqu'à ce que la viande soit bien recouvert.
4. Placer la viande dans un sac zip lock et réfrigérer pendant 12 heures.
5. Sortez la viande séchée du réfrigérateur et déposez-la sur des grilles. une seule couche (éviter le surpeuplement pour une flux d'air). Laissez-le reposer à température ambiante pendant que le fumoir préchauffe.
6. Tapisser le bac d'égouttage du fumoir avec une nouvelle feuille d'aluminium.

### Procédure de tabagisme

1. Préchauffer le fumoir à 60°C en mode Fumée avec les registres grands ouverts.
2. Placez les carrés de viande séchée dans le fumoir. Courez 2 heures.
3. Remplissez le bac aux 3/4 de sciure de bois et humidifiez-le soigneusement avec de l'eau. Verser le mélange dans un entonnoir façonner et placer sur l'élément chauffant.
4. Augmentez la température à 77°. Réglez les registres aux 2/3 fermés.
5. Fumez pendant 3 heures.
6. Retirez délicatement le bac à sciure du fumoir.  
(Conseil de pro : la rotation des grilles à ce stade favorisera un séchage uniforme).
7. Réglez les registres grands ouverts et faites fonctionner jusqu'à obtenir la texture désirée (3 à 5 heures).
8. Éteignez le fumoir et laissez-le reposer dans le fumoir pendant 4 à 5 heures avant de l'emballer et de le ranger.



**WARRANTY / GARANTIE  
REGISTRATION  
ENREGISTREMENT**

Warranty registration must be filled out and sent to manufacturer for validation of warranty. Please fill out registration at your earliest convenience.

L'enregistrement de la garantie doit être rempli et envoyé au fabricant pour validation de la garantie. Veuillez remplir l'inscription dès que possible.

Please Complete This Form And Return To / Veuillez remplir ce formulaire et le retourner à :

### Woodland Manufacturing

Attention: Warranty  
PO Box 278  
Iron Ridge, WI 53035

**Name / Nom:**

.....

**Address / Adresse:**

.....

**City / Ville:** ..... **State / État:** ..... **Zip:** .....

..... / ..... / .....

**E-Mail:**

.....

**Phone Number / Numéro De Téléphone:**

.....

**Date of Purchase / Date d'achat:**

.....

**Purchased From / Acheté de:**

.....

**Model / Modèle #:** .....

**Serial / Série #:** .....

**Note:** You Must Provide Proof of purchase to validate your warranty, keep a copy for your records.

**Remarque:** Vous devez fournir une preuve d'achat pour valider votre garantie, conservez une copie pour vos dossiers.



### ONLINE WARRANTY REGISTRATION

If you prefer to register online, please scan this QR code, or go to <https://pro-smoker.com/pages/warranty> to easily complete your registration.



# LIMITED WARRANTY

**What Does This Warranty Cover?** Woodland Manufacturing Inc., manufacturer of your electric vertical sawdust smoker, warrants the **CABINET** of your smoker for one (1) year from the date of sale to the original owner only, against defects in material and workmanship, and warrants the **ELECTRICAL COMPONENT PARTS** of your smoker for ninety (90) days from the date of sale to the original owner only, against defects in material and workmanship.

This warranty is void if the smoker is used with pellets or operated in a manner not described in the user manual. Any modifications or alterations to the smoker's original design or intended use may also result in the warranty being voided. This includes but is not limited to improper installation, unauthorized repairs, and non-compliance with safety instructions provided in the user manual. Any damage or malfunction arising from such use, operation, or modifications will not be covered under this warranty.

**What Does This Warranty Not Cover?** There is no warranty on the components of the smoker and no warranty on any decals, caulk, paint, or gaskets. Woodland Manufacturing Inc. shall not be responsible for damage caused by corrosion. Woodland Manufacturing Inc. takes every precaution to utilize materials that retard rust by using high-temperature stainless steel. Even with these safeguards, the protective coatings can be compromised by corrosive substances and conditions beyond Woodland Manufacturing's control. High temperatures, chlorine, excessive humidity, industrial fumes, lawn pesticides, fertilizers and salt are some (but not limited to) substances that can affect paint or metal coatings. For these reasons, the limited warranty DOES NOT COVER RUST OR ALUMINUM OXIDATION OF MATERIAL.

THERE ARE NO OTHER EXPRESS WARRANTIES BEYOND THE TERMS OF THIS LIMITED WARRANTY. IN NO EVENT SHALL WOODLAND MANUFACTURING INC. BE LIABLE FOR INCIDENTAL OR CONSEQUENTIAL DAMAGES.

**How Long Does The Coverage Last?** The warranty period is 1 year for the cabinet and 90 days for electrical component parts. Repair or replacement of smokehouse parts does not extend the warranty beyond 1 year from the date of purchase for the cabinet or 90-days from the date of purchase for electrical components.

**What Will Woodland Manufacturing Inc. Do?** During the term of the limited warranty, Woodland Manufacturing Inc.'s obligation shall be limited to furnishing a replacement for covered, failed components, F.O.B. point of shipment, if it is within the warranty period. Woodland Manufacturing Inc. will not charge for repair or replacement for parts returned, freight prepaid, if the part of parts is found by Woodland Manufacturing Inc. to be defective upon examination. Woodland Manufacturing Inc. shall not be liable for transportation charges, labor costs or export duties.

**How Do You Get Service?** Return your product, freight prepaid, to Woodland Manufacturing Inc.; or, contact the Woodland Manufacturing Inc. Customer Satisfaction Department toll free at 1-800-874-1949. Your Limited Warranty coverage begins on the original date of purchase and proof of purchase is required with your warranty registration to validate your warranty. To activate and validate your product's warranty, you must complete the included warranty registration card and mail it to Woodland Manufacturing Inc. within 90 days from the date of purchase. Alternatively, you can register your warranty online by visiting <https://pro-smoker.com/pages/product-warranty-registration> and following the provided instructions. Failure to register the warranty within the specified time frame may result in a delay or denial of warranty coverage. Failure by California residents to complete this registration form does not diminish their warranty rights.

**How Does State Law Apply?** Woodland Manufacturing shall not be liable for any incidental, special, indirect, or consequential damages as a result of using this smokehouse. Some states do not allow the exclusion or limitation of incidental or consequential damages, so the above limitation or exclusion may not apply to you. This warranty gives you specific legal rights, and you may also have other rights which vary from state to state.

# GARANTIE LIMITÉE

**Que couvre cette garantie?** Woodland Manufacturing Inc., fabricant de votre fumeur électrique vertical à sciure de bois, garantit l'**ARMOIRE** de votre fumeur pendant un (1) an à compter de la date de vente au propriétaire d'origine uniquement, contre les défauts de matériaux et de fabrication, et garantit les **PIÈCES DES COMPOSANTS ÉLECTRIQUES** de votre fumeur pendant quatre-vingt-dix (90) jours à compter de la date de vente au propriétaire d'origine uniquement, contre les défauts de matériaux et de fabrication.

Cette garantie est nulle si le fumeur est utilisé avec des granulés ou utilisé d'une manière non décrite dans le manuel d'utilisation. Toute modification ou altération de la conception originale du fumeur ou de son utilisation prévue peut également entraîner l'annulation de la garantie. Cela inclut, sans toutefois s'y limiter, une mauvaise installation, des réparations non autorisées et le non-respect des instructions de sécurité fournies dans le manuel d'utilisation. Tout dommage ou dysfonctionnement résultant d'une telle utilisation, opération ou modification ne sera pas couvert par cette garantie.

**Que ne couvre pas cette garantie?** Il n'y a aucune garantie sur les composants du fumeur et aucune garantie sur les autocollants, le calfeutrage, la peinture ou les joints. Woodland Manufacturing Inc. ne sera pas responsable des dommages causés par la corrosion. Woodland Manufacturing Inc. prend toutes les précautions pour utiliser des matériaux qui retardent la rouille en utilisant de l'acier inoxydable à haute température. Même avec ces mesures de protection, les revêtements protecteurs peuvent être compromis par des substances corrosives et des conditions indépendantes de la volonté de Woodland Manufacturing. Les températures élevées, le chlore, l'humidité excessive, les fumées industrielles, les pesticides pour pelouse, les engrais et le sel sont quelques substances (sans s'y limiter) qui peuvent affecter la peinture ou les revêtements métalliques. Pour ces raisons, la garantie limitée NE COUVRE PAS LA ROUILLE OU L'OXYDATION DE L'ALUMINIUM DU MATÉRIEL.

IL N'EXISTE AUCUNE AUTRE GARANTIE EXPRESSE AU-DELÀ DES TERMES DE CETTE GARANTIE LIMITÉE. EN AUCUN CAS WOODLAND MANUFACTURING INC. NE POURRA ÊTRE RESPONSABLE DES DOMMAGES ACCESSOIRES OU CONSÉCUTIFS.

**Combien de temps dure la couverture?** La période de garantie est de 1 an pour l'armoire et de 90 jours pour les composants électriques. La réparation ou le remplacement des pièces du fumeur ne prolonge pas la garantie au-delà d'un an à compter de la date d'achat pour l'armoire ou de 90 jours à compter de la date d'achat pour les composants électriques.

**Que fera Woodland Manufacturing Inc.?** Pendant la durée de la garantie limitée, l'obligation de Woodland Manufacturing Inc. se limitera à fournir un remplacement pour les composants couverts et défectueux, F.O.B. point d'expédition, si c'est pendant la période de garantie. Woodland Manufacturing Inc. ne facturera pas la réparation ou le remplacement des pièces retournées, fret payé d'avance, si Woodland Manufacturing Inc. constate que la pièce est défectueuse après examen. Woodland Manufacturing Inc. ne sera pas responsable des frais de transport, des coûts de main-d'œuvre ou des droits d'exportation.

**How Do You Get Service?** Return your product, freight prepaid, to Woodland Manufacturing Inc.; or, contact the Woodland Manufacturing Inc. Customer Satisfaction Department toll free at 1-800-874-1949. Your Limited Warranty coverage begins on the original date of purchase and proof of purchase is required with your warranty registration to validate your warranty. To activate and validate your product's warranty, you must complete the included warranty registration card and mail it to Woodland Manufacturing Inc. within 90 days from the date of purchase. Alternatively, you can register your warranty online by visiting <https://pro-smoker.com/pages/product-warranty-registration> and following the provided instructions. Failure to register the warranty within the specified time frame may result in a delay or denial of warranty coverage. Failure by California residents to complete this registration form does not diminish their warranty rights.

**How Does State Law Apply?** Woodland Manufacturing shall not be liable for any incidental, special, indirect, or consequential damages as a result of using this smokehouse. Some states do not allow the exclusion or limitation of incidental or consequential damages, so the above limitation or exclusion may not apply to you. This warranty gives you specific legal rights, and you may also have other rights which vary from state to state.



### **Contact Information / Coordonnées:**

If you have any problems or questions on set up and start up, call the manufacturer at 1-800-874-1949 (Hours of Operation: 8:00 am-4:30 pm CST) and ask for Smoker Service Support.

Si vous avez des problèmes ou des questions sur la configuration et le démarrage, appelez le fabricant au 1-800-874-1949 (Heures d'ouverture: 8:00 am-4:30 pm CST) et demandez le service d'assistance pour fumeurs.

### **Pro Smoker**

120 S. Main St. Iron Ridge, WI 53035

**Office/Bureau:** 1-800-874-1949

**Hours of Operation:** 8:00 am-4:30 pm

**Email:** info@pro-smoker.com

# **WWW.PRO-SMOKER.COM**

*Smoke With Us!*   