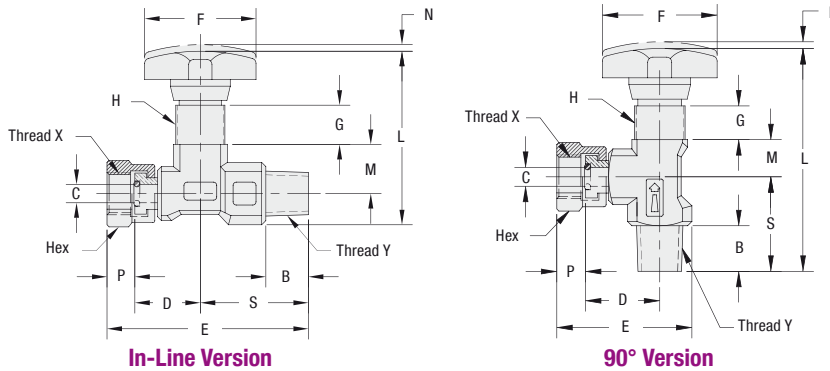


Gauge Isolator Needle Valve - Types SWS-A1/A2 (Single Station)



Dimensions

Type	Thread X (Female)	Thread Y (Male)	Dimensions (mm/in)													Weight (kg/lbs)
			B	C	D	E	F	G	H	L	M	N	P	S	Hex	
SWS-A1	1/4 NPT G1/4 BSP	1/4 NPT 7/16-20 UNF (1/4" SAE) R1/4 BSPT	13	5,6	20	61,5	34	12	M15x1	53	15	2	8,5	33	18	0,13
			.51	.22	.78	2.42	1.34	.47		2.09	.59	.08	.33	1.30	.71	.22
SWS-A2	1/4 NPT G1/4 BSP	1/4 NPT R1/4 BSPT	13,5	5,6	22	40	34	10	M15x1	66	11	2	8,5	28	18	0,11
			.53	.22	.87	1.57	1.34	.39		2.60	.43	.08	.33	1.10	.71	.44

Characteristics

Effective protection of pressure gauges against overload caused by pressure peaks

Features

- Designed for in-line assembly (type A1) or 90° assembly (type A2) with female NPT / male NPT, female NPT / male SAE or female BSP / male BSPT threaded connections
- Panel mounting nuts available on request
- Rotating swivel nut allows for accurate orientation of the pressure gauge

Materials

- Body made of Steel, zinc/nickel-coated (free of hexavalent chromium CrVI)
- Spindle made of Steel
- Hand-wheel made of Polyamide (PA)
- O-rings made of NBR (Buna-N®)
- Anti-extrusion ring made of PTFE

Consult STAUFF for alternative materials.

Technical Data

- Maximum working pressure: 400 bar / 5800 PSI (for all sizes)
- Operating temperature range: -20 °C ... +100 °C / -4 °F ... +212 °F

Order Codes

SWS - N04 - A1 - PM

①

②

③

④

① Type

Gauge Isolator Valve **SWS**

② Connection Threads

Female 1/4 NPT and Male 1/4 NPT **N04**

Female 1/4 NPT and Male 7/16-20 UNF (1/4" SAE) (only available for in-line version) **S04**

Female G1/4 BSP and Male R1/4 BSPT **B04**

③ Style

Single station, in-line version **A1**

Single station, 90° version **A2**

④ Panel Mounting Kit

Without panel mounting kit (standard option) **-**

With panel mounting kit **PM**



Pressure Gauges

Please see the **Diagtronics** section of this product catalogue for details on our full range of analog and digital pressure measurement equipment.