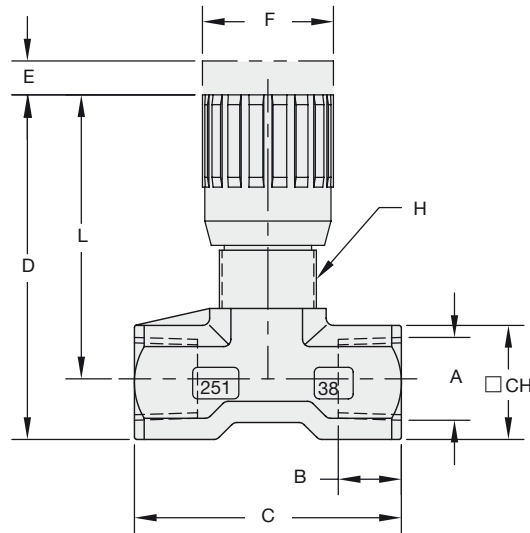


**Medium-Duty Throttle / Shut-Off Valve - NVH  
(In-Line Assembly)**



**Characteristics**

**Throttle and shut-off the flow of liquid media in both directions**

**Features**

- Designed for in-line assembly with female NPT and SAE threaded connections; female BSP threaded connections available on request
- Ideal for medium-duty applications
- Panel mounting kits available on request
- Graduated turning knob to accurately control flow
- Set-screw located on side of turning knob to lock valve in position

**Media Compatibility**

- Suitable for hydraulic fluids

Please consult STAUFF before using with other media.

**Materials**

- Body made of Steel, nickel-plated
- Internal components made of Stainless Steel
- O-rings made of NBR (Buna-N®); FPM (Viton®) sealed version available
- Anti-extrusion ring made of PTFE

Consult STAUFF for alternative materials.

**Technical Data**

- Maximum working pressure: 350 bar / 5000 PSI (for all sizes)
- Operating temperature range: -34 °C ... +121 °C / -30 °F ... +250 °F

**Accessories / Spare Parts**

**Panel Mounting Kits**

- for NVH/FCH/NVW/FCM-08 (thread size M17x1): **PMK-8-T**
- for NVH/FCH/NVW/FCM-10 (thread size M20x1): **PMK-810-T**
- for NVH/FCH/NVW/FCM-12 (thread size M25x1,5): **PMK-1012-T**

**Dimensions**

Type + Nominal Size	Thread Options A	Dimensions (mm/in)						Thread H	L	□ CH	Weight (kg/lbs)
		B	C	D	E	F					
NVH-8	1/4 NPT	12	46	61	4,5	22	M17x1	52,5	17	0,12	
	7/16-20 UNF (1/4" SAE)	.47	1.81	2.40	.18	.87					2.07
NVH-10	3/8 NPT	13	55	74	7	27	M20x1	63	22	0,23	
	9/16-18 UNF (3/4" SAE)	.51	2.17	2.91	.28	1.06					2.48
NVH-12	1/2 NPT	16	82	85,5	10	33	M25x1,5	72	27	0,45	
	3/4-16 UNF (1/2" SAE)	.63	2.76	3.37	.39	1.30					2.83

**Order Codes**

NVH - 8 N

①

**Type**

Medium-Duty Throttle / Shut-Off Valve (In-Line Assembly) **NVH**

②

**STAUFF Size**

08	10	12
----	----	----

③

**Connection**

Female NPT threads (ANSI B1.20.1) **N**  
 Female UN/UNF thread (SAE J514) **S**  
  
 Female BSP threads (ISO 228) available on request.