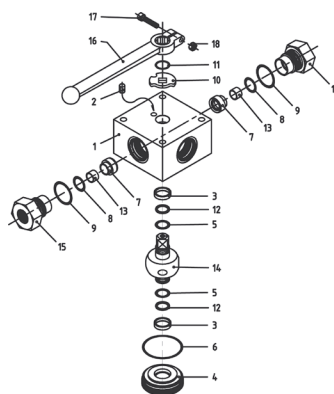


High-Pressure Block Body Ball Valve - Type LBV



List of Components

| No. | Qty. | Description           |
|-----|------|-----------------------|
| 1   | 1    | Body                  |
| 2   | 1    | Stop Pin              |
| 3*  | 2    | Bearing               |
| 4   | 1    | Trunnion Retainer     |
| 5*  | 2    | Trunnion O-Ring       |
| 6*  | 1    | Retainer O-Ring       |
| 7*  | 3    | Ball Seat             |
| 8*  | 3    | Seat O-Ring           |
| 9*  | 3    | Connector O-Ring      |
| 10  | 1    | Cam Plate             |
| 11  | 1    | Snap Ring             |
| 12* | 2    | Trunnion Back Up Ring |
| 13  | 3    | Seat Support          |
| 14  | 1    | Trunnion Ball         |
| 15  | 3    | Connector             |
| 16  | 1    | Handle                |
| 17  | 1    | Handle Bolt           |

\* Included in seal kit

Characteristics

Three-way high-pressure block body ball valves designed for use as three-way selectors (L-bore, 90° operation) for hydraulic applications

Standard Construction

- Block body design for in-line assembly
- Multi-way valve with trunnion-style ball
- Supplied with lever

Standard Materials

- Body: Carbon Steel, zinc/iron-plated
- Ball: Carbon Steel, hard chrome-plated
- Stem: Carbon Steel
- Lever: Aluminium (STAUFF Sizes 02 and 04)  
Zinc (STAUFF Sizes 06 to 10)  
Aluminium (STAUFF Sizes 12 to 24)
- Ball seat: Delrin® (POM)
- O-rings: FPM (Viton®)

Standard Connections Styles / Sizes

- Female NPT thread (ANSI B1.20.1) >1-1/2 NPT
- Female BSP thread (DIN ISO 228) >G 1-1/2 BSP
- Female UN/UNF thread (SAE J 514) >1-5/16-12 UN (1" SAE)
- 24° cone connection (DIN 2353); Light Series >35L
- 24° cone connection (DIN 2353); Heavy Series >38S

See page F113 for sealing details.

Pressure Range

- Pressure range: up to 500 bar / 7250 PSI (depending on size and material combination of the ball valve)

Temperature Range

- Operating temperature range: -20°C ... +100°C / -4°F ... + 212°F

Options / Accessories

- Alternative lever designs/materials (see page F98)
- Locking devices (see pages F99-F101)
- Pneumatic actuator packages (see page F102)  
Electrical actuators available on request.
- Limit switches (see page F102)
- Stainless Steel body
- Stainless Steel ball and stem
- Special ball seat and O-ring materials available for lower/higher temperatures and more aggressive media

Porting Pattern

- Symbol : L
- Overlap: positive
- Operating: 90°

(Ref. Code: 01-LBV)



- Stop of end position:



Please see pages F104-F105 for alternative porting patterns.

Order Codes

LBV
3
0
02
0
0
0
1
M
-
-

1
2
3
4
5
6
7
8
9
10
11

① Type

Multi-Way L-Bore Ball Valve **LBV**

② Number of Ports

Three Ports (Three-Way Ball Valve) **3**

③ Connection Style

|  |          |
|--|----------|
| Female NPT Thread (ANSI B1.20.1)               | <b>0</b> |
| Female BSP Thread (DIN ISO 228)                | <b>G</b> |
| Female UN/UNF Thread (SAE J 514)               | <b>1</b> |
| 24° Cone Connection (Light / Heavy Series)     |          |
| <b>DN04 DN06 DN08 DN10 DN13 DN16 DN20 DN25</b> |          |

Please consult STAUFF for alternative connection styles.

④ Connection Size

|  |            |            |            |            |            |            |            |            |  |  |
|--|------------|------------|------------|------------|------------|------------|------------|------------|--|--|
| STAUFF Size (according to dimension table) for connection styles 0, G and 1:     |            |            |            |            |            |            |            |            |  |  |
| <b>02</b>  | <b>04</b>  | <b>06</b>  | <b>08</b>  | <b>10</b>  | <b>12</b>  | <b>16</b>  | <b>20</b>  | <b>24</b>  |  |  |
| Tube Size (according to dimension table) for 24° Cone Connection (Light Series): |            |            |            |            |            |            |            |            |  |  |
| <b>06L</b>   | <b>08L</b> | <b>10L</b> | <b>12L</b> | <b>15L</b> | <b>18L</b> | <b>22L</b> | <b>28L</b> | <b>35L</b> |  |  |
| Tube Size (according to dimension table) for 24° Cone Connection (Heavy Series): |            |            |            |            |            |            |            |            |  |  |
| <b>08S</b>   | <b>10S</b> | <b>12S</b> | <b>14S</b> | <b>16S</b> | <b>20S</b> | <b>25S</b> | <b>30S</b> | <b>38S</b> |  |  |

Please consult STAUFF for alternative connection sizes.

⑤ Body Material / Surface Finishing

|                                  |          |
|----------------------------------|----------|
| Carbon Steel, zinc/iron-plated   | <b>0</b> |
| Stainless Steel V4A (AISI 316Ti) | <b>1</b> |

Alternative materials / surface finishings are available upon request. Consult STAUFF for further information.

⑥ Ball / Stem Material

|   |          |
|---|----------|
| Ball: Carbon Steel, hard chrome-plated        | <b>0</b> |
| Stem: Carbon Steel                            |          |
| Ball / Stem: Stainless Steel V4A (AISI 316Ti) | <b>1</b> |

Alternative materials / surface finishings are available upon request. Consult STAUFF for further information.

⑦ Ball Seat Material

|               |          |
|---------------|----------|
| Delrin® (POM) | <b>0</b> |
|---------------|----------|

Alternative materials are available upon request. Consult STAUFF for further information.

⑧ O-Ring Material

|               |          |
|---------------|----------|
| NBR (Buna-N®) | <b>0</b> |
| FPM (Viton®)  | <b>1</b> |
| EPDM          | <b>3</b> |

Alternative materials are available upon request. Consult STAUFF for further information.

⑨ Manufacturing Code

|  |          |
|--|----------|
| Manufacturing code for all connection styles | <b>M</b> |
|--|----------|

⑩ Lever Options

|   |           |
|---|-----------|
| Supplied with standard lever (according to table) | <b>-</b>  |
| Supplied without lever                            | <b>-0</b> |

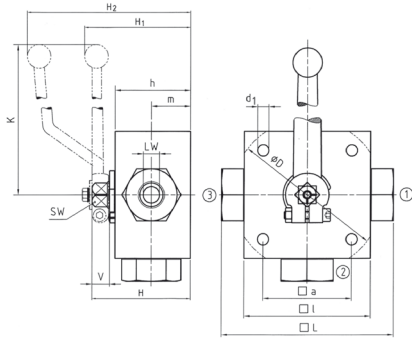
Alternative levers can be ordered separately. Please see page F98 for further information.

⑪ Accessories / Options

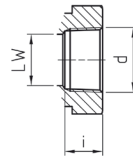
|   |               |
|---|---------------|
| Supplied without accessories  | <b>-</b>      |
| Supplied with Locking Device LD4 (standard)                         | <b>-LD4</b>   |
| Supplied with Double-Acting Pneumatic Actuator (Please add size **) | <b>-EDA**</b> |
| Supplied with Single-Acting Pneumatic Actuator (Please add size **) | <b>-ESA**</b> |
| Supplied with Limit Switch in open position                         | <b>-LS-0</b>  |
| Supplied with Limit Switch in closed position                       | <b>-LS-C</b>  |
| Supplied with Limit Switch in open and closed position              | <b>-LS-OC</b> |

Please see page F99 for further information.

### High-Pressure Block Body Ball Valve - Type LBV L-Bore Three-Way Selector - Female NPT Thread (ANSI B1.20.1)



#### Female NPT Thread (ANSI B1.20.1)



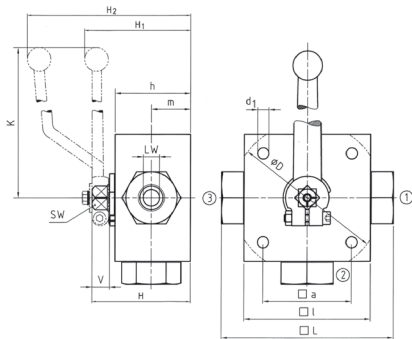
When ordering the standard option as indicated in the table below, the following materials will be supplied:

- Body, ball and stem: Carbon Steel
- Lever: Aluminium (STAUFF Sizes 02 and 04)  
Zinc (STAUFF Sizes 06 to 10)  
Aluminium (STAUFF Sizes 12 to 24)  
Delrin® (POM)
- Ball seat: Delrin® (POM)
- O-rings: FPM (Viton®)

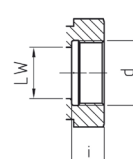
| STAUFF Size | Thread Size d | Nominal Size DN | Dimensions (mm/in) |      |      |      |      |      |      |      |       |      |     |      |     |      | Nom. Pressure (bar/psi) | Weight (kg/lbs) | Order Codes (Standard Option) |              |
|-------------|---------------|-----------------|--------------------|------|------|------|------|------|------|------|-------|------|-----|------|-----|------|-------------------------|-----------------|-------------------------------|--------------|
|             |               |                 | LW                 | L    | D    | l    | a    | H    | h    | m    | K     | V    | SW  | i    | d1  | H1   |                         |                 |                               | H2           |
| 02          | 1/8 NPT       | 4               | 5                  | 100  |      | 70   | 55   | 58   | 40   | 22   | 160   | 14   | 12  | 10,5 | 6,5 |      | 101                     | 500             | 1,60                          | LBV30020001M |
|             |               |                 | .20                | 3.94 |      | 2.76 | 2.17 | 2.28 | 1.57 | .87  | 6.30  | .55  | .47 | .41  | .26 |      | 3.98                    | 7250            | 3.52                          |              |
| 04          | 1/4 NPT       | 6               | 5                  | 100  |      | 70   | 55   | 58   | 40   | 22   | 160   | 14   | 12  | 13,7 | 6,5 |      | 101                     | 500             | 1,60                          | LBV30040001M |
|             |               |                 | .20                | 3.94 |      | 2.76 | 2.17 | 2.28 | 1.57 | .87  | 6.30  | .55  | .47 | .54  | .26 |      | 3.98                    | 7250            | 3.52                          |              |
| 06          | 3/8 NPT       | 10              | 8                  | 115  |      | 80   | 65   | 68   | 50   | 27   | 200   | 14   | 14  | 13,5 | 6,5 | 72   |                         | 500             | 2,80                          | LBV30060001M |
|             |               |                 | .31                | 4.53 |      | 3.15 | 2.56 | 2.68 | 1.97 | 1.06 | 7.87  | .55  | .55 | .53  | .26 | 2.83 |                         | 7250            | 6.16                          |              |
| 08          | 1/2 NPT       | 13              | 100                | 136  |      | 100  | 80   | 78   | 60   | 31   | 200   | 14   | 14  | 17   | 9   | 82   |                         | 400             | 5,20                          | LBV30080001M |
|             |               |                 | .51                | 5.35 |      | 3.94 | 3.15 | 3.07 | 2.36 | 1.22 | 7.87  | .55  | .55 | .67  | .35 | 3.23 |                         | 5800            | 11.44                         |              |
| 12          | 3/4 NPT       | 20              | 18                 | 154  | 138  | 113  | 85   | 88   | 67   | 36,5 | 320   | 16,5 | 17  | 18,3 | 8,5 | 96   |                         | 315             | 6,80                          | LBV30120001M |
|             |               |                 | .71                | 6.06 | 5.43 | 4.45 | 3.35 | 3.46 | 2.64 | 1.44 | 12.60 | .65  | .67 | .72  | .33 | 3.78 |                         | 4567            | 14.96                         |              |
| 16          | 1 NPT         | 25              | 23                 | 172  | 138  | 119  | 85   | 103  | 82   | 47,5 | 320   | 16,5 | 17  | 21,6 | 8,5 | 112  |                         | 315             | 8,50                          | LBV30160001M |
|             |               |                 | .91                | 6.77 | 5.43 | 4.69 | 3.35 | 4.06 | 3.23 | 1.87 | 12.60 | .65  | .67 | .85  | .33 | 4.41 |                         | 4567            | 18.70                         |              |
| 20          | 1-1/4 NPT     | 25/32           | 23                 | 180  | 138  | 119  | 85   | 103  | 82   | 47,5 | 320   | 16,5 | 17  | 22,1 | 8,5 | 112  |                         | 315             | 8,80                          | LBV30200001M |
|             |               |                 | .91                | 7.09 | 5.43 | 4.69 | 3.35 | 4.06 | 3.23 | 1.87 | 12.60 | .65  | .67 | .87  | .33 | 4.41 |                         | 4567            | 19.36                         |              |
| 24          | 1-1/2 NPT     | 25/40           | 23                 | 180  | 138  | 119  | 85   | 103  | 82   | 47,5 | 320   | 16,5 | 17  | 22,1 | 8,5 | 112  |                         | 250             | 8,80                          | LBV30240001M |
|             |               |                 | .91                | 7.09 | 5.43 | 4.69 | 3.35 | 4.06 | 3.23 | 1.87 | 12.60 | .65  | .67 | .87  | .33 | 4.41 |                         | 3625            | 19.36                         |              |

Please note the pressure ratings of the tube connections.

### High-Pressure Block Body Ball Valve - Type LBV L-Bore Three-Way Selector - Female BSP Thread (DIN ISO 228)



#### Female BSP Thread (DIN ISO 228)



When ordering the standard option as indicated in the table below, the following materials will be supplied:

- Body, ball and stem: Carbon Steel
- Lever: Aluminium (STAUFF Sizes 02 and 04)  
Zinc (STAUFF Sizes 06 to 10)  
Aluminium (STAUFF Sizes 12 to 24)  
Delrin® (POM)
- Ball seat: Delrin® (POM)
- O-rings: FPM (Viton®)

| STAUFF Size | Thread Size d | Nominal Size DN | Dimensions (mm/in) |      |      |      |      |      |      |      |       |      |     |      |     |      | Nom. Pressure (bar/psi) | Weight (kg/lbs) | Order Codes (Standard Option) |              |
|-------------|---------------|-----------------|--------------------|------|------|------|------|------|------|------|-------|------|-----|------|-----|------|-------------------------|-----------------|-------------------------------|--------------|
|             |               |                 | LW                 | L    | D    | l    | a    | H    | h    | m    | K     | V    | SW  | i    | d1  | H1   |                         |                 |                               | H2           |
| 02          | G 1/8 BSP     | 4               | 5                  | 100  |      | 70   | 55   | 58   | 40   | 22   | 160   | 14   | 12  | 10   | 6,5 |      | 101                     | 500             | 1,60                          | LBV3G020001M |
|             |               |                 | .20                | 3.94 |      | 2.76 | 2.17 | 2.28 | 1.57 | .87  | 6.30  | .55  | .47 | .39  | .26 |      | 3.98                    | 7250            | 3.52                          |              |
| 04          | G 1/4 BSP     | 6               | 5                  | 100  |      | 70   | 55   | 58   | 40   | 22   | 160   | 14   | 12  | 14   | 6,5 |      | 101                     | 500             | 1,60                          | LBV3G040001M |
|             |               |                 | .20                | 3.94 |      | 2.76 | 2.17 | 2.28 | 1.57 | .87  | 6.30  | .55  | .47 | .55  | .26 |      | 3.98                    | 7250            | 3.52                          |              |
| 06          | G 3/8 BSP     | 10              | 8                  | 115  |      | 80   | 65   | 68   | 50   | 27   | 200   | 14   | 14  | 14   | 6,5 | 72   |                         | 500             | 2,70                          | LBV3G060001M |
|             |               |                 | .31                | 4.53 |      | 3.15 | 2.56 | 2.68 | 1.97 | 1.06 | 7.87  | .55  | .55 | .55  | .26 | 2.83 |                         | 7250            | 5.94                          |              |
| 08          | G 1/2 BSP     | 13              | 100                | 136  |      | 100  | 80   | 78   | 60   | 31   | 200   | 14   | 14  | 16,3 | 9   | 82   |                         | 400             | 4,90                          | LBV3G080001M |
|             |               |                 | .51                | 5.35 |      | 3.94 | 3.15 | 3.07 | 2.36 | 1.22 | 7.87  | .55  | .55 | .64  | .35 | 3.23 |                         | 5800            | 10.78                         |              |
| 10          | G 5/8 BSP     | 16              | 13                 | 139  |      | 100  | 80   | 78   | 60   | 31   | 200   | 14   | 14  | 18   | 9   | 82   |                         | 400             | 4,90                          | LBV3G100001M |
|             |               |                 | .51                | 5.47 |      | 3.94 | 3.15 | 3.07 | 2.36 | 1.22 | 7.87  | .55  | .55 | .71  | .35 | 3.23 |                         | 5800            | 10.78                         |              |
| 12          | G 3/4 BSP     | 20              | 18                 | 154  | 138  | 113  | 85   | 88   | 67   | 36,5 | 320   | 16,5 | 17  | 18   | 8,5 | 96   |                         | 315             | 6,70                          | LBV3G120001M |
|             |               |                 | .71                | 6.06 | 5.43 | 4.45 | 3.35 | 3.46 | 2.64 | 1.44 | 12.60 | .65  | .67 | .71  | .33 | 3.78 |                         | 4567            | 14.74                         |              |
| 16          | G 1 BSP       | 25              | 23                 | 172  | 138  | 119  | 85   | 103  | 82   | 47,5 | 320   | 16,5 | 17  | 20   | 8,5 | 112  |                         | 315             | 8,30                          | LBV3G160001M |
|             |               |                 | .91                | 6.77 | 5.43 | 4.69 | 3.35 | 4.06 | 3.23 | 1.87 | 12.60 | .65  | .67 | .79  | .33 | 4.41 |                         | 4567            | 18.26                         |              |
| 20          | G 1-1/4 BSP   | 25/32           | 23                 | 180  | 138  | 119  | 85   | 103  | 82   | 47,5 | 320   | 16,5 | 17  | 22   | 8,5 | 112  |                         | 315             | 8,50                          | LBV3G200001M |
|             |               |                 | .91                | 7.09 | 5.43 | 4.69 | 3.35 | 4.06 | 3.23 | 1.87 | 12.60 | .65  | .67 | .87  | .33 | 4.41 |                         | 4567            | 18.70                         |              |
| 24          | G 1-1/2 BSP   | 25/40           | 23                 | 180  | 138  | 119  | 85   | 103  | 82   | 47,5 | 320   | 16,5 | 17  | 24   | 8,5 | 112  |                         | 250             | 8,50                          | LBV3G240001M |
|             |               |                 | .91                | 7.09 | 5.43 | 4.69 | 3.35 | 4.06 | 3.23 | 1.87 | 12.60 | .65  | .67 | .94  | .33 | 4.41 |                         | 3625            | 18.70                         |              |

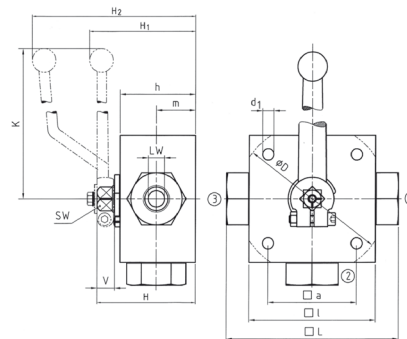
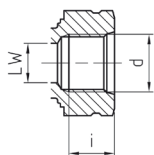
Please note the pressure ratings of the tube connections.

**High-Pressure Block Body Ball Valve - Type LBV**  
**L-Bore Three-Way Selector - Female UN/UNF Thread (SAE J 514)**

When ordering the standard option as indicated in the table below, the following materials will be supplied:

- Body, ball and stem: Carbon Steel
- Lever: Aluminium (STAUFF Size 04)  
Zinc (STAUFF Sizes 06 and 08)  
Aluminium (STAUFF Sizes 12 and 16)
- Ball seat: Delrin® (POM)
- O-rings: FPM (Viton®)

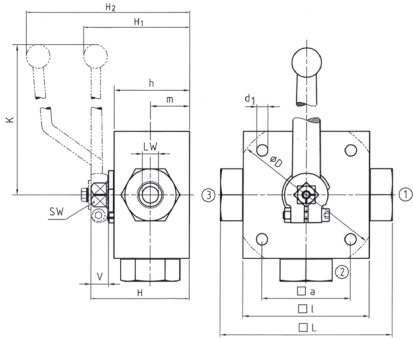
Female UN/UNF Thread (SAE J 514)



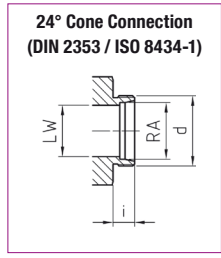
| STAUFF Size | Thread Size d           | Nominal Size DN | Dimensions (mm/in) |      |      |      |      |      |      |      |       |      |      |     |     |     |      | Nom. Pressure (bar/PSI) | Weight (kg/lbs) | Order Codes (Standard Option) |
|-------------|-------------------------|-----------------|--------------------|------|------|------|------|------|------|------|-------|------|------|-----|-----|-----|------|-------------------------|-----------------|-------------------------------|
|             |                         |                 | LW                 | L    | D    | i    | a    | H    | h    | m    | K     | V    | SW   | i   | d1  | H1  | H2   |                         |                 |                               |
| 04          | 7/16-20 UNF (1/4" SAE)  | 6               | 5                  | 100  | 70   | 55   | 58   | 40   | 22   | 160  | 14    | 12   | 14   | 6,5 | 101 | 500 | 1,60 | LBV31040001M            |                 |                               |
|             |                         |                 | .20                | 3.94 |      | 2.76 | 2.17 | 2.28 | 1.57 | .87  | 6.30  | .55  | .47  | .55 |     | .26 | 3.98 |                         | 7250            | 3.52                          |
| 06          | 9/16-18 UNF (3/4" SAE)  | 10              | 8                  | 115  | 80   | 65   | 68   | 50   | 27   | 200  | 14    | 14   | 14   | 6,5 | 72  | 500 | 2,80 | LBV31060001M            |                 |                               |
|             |                         |                 | .31                | 4.53 |      | 3.15 | 2.56 | 2.68 | 1.97 | 1.06 | 7.87  | .55  | .55  | .55 |     | .26 | 2.83 |                         | 7250            | 6.16                          |
| 08          | 3/4-16 UNF (1/2" SAE)   | 13              | 13                 | 144  | 100  | 80   | 78   | 60   | 31   | 200  | 14    | 14   | 16,3 | 9   | 82  | 400 | 5,20 | LBV31080001M            |                 |                               |
|             |                         |                 | .51                | 5.67 |      | 3.94 | 3.15 | 3.07 | 2.36 | 1.22 | 7.87  | .55  | .55  | .64 |     | .35 | 3.23 |                         | 5800            | 11.44                         |
| 12          | 1-1/16-12 UN (3/4" SAE) | 20              | 18                 | 164  | 138  | 113  | 85   | 88   | 67   | 36,5 | 320   | 16,5 | 17   | 18  | 8,5 | 96  | 315  | 6,80                    | LBV31120001M    |                               |
|             |                         |                 | .71                | 6.46 | 5.43 | 4.45 | 3.35 | 3.46 | 2.64 | 1.44 | 12.60 | .65  | .67  | .71 | .33 |     | 3.78 | 4567                    |                 | 14.96                         |
| 16          | 1-5/16-12 UN (1" SAE)   | 25              | 23                 | 180  | 138  | 119  | 85   | 103  | 82   | 47,5 | 320   | 16,5 | 17   | 20  | 8,5 | 112 | 315  | 8,50                    | LBV31160001M    |                               |
|             |                         |                 | .91                | 7.09 | 5.43 | 4.69 | 3.35 | 4.06 | 3.23 | 1.87 | 12.60 | .65  | .67  | .79 | .33 |     | 4.41 | 4567                    |                 | 18.70                         |

Please note the pressure ratings of the tube connections.

**High-Pressure Block Body Ball Valve - Type LBV  
L-Bore Three-Way Selector - 24° Cone Connection  
Light Series (DIN 2353 / ISO 8434-1)**



Hex nuts and cutting rings are not included in delivery.



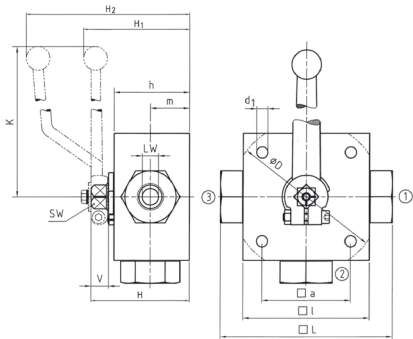
When ordering the standard option as indicated in the table below, the following materials will be supplied:

- Body, ball and stem: Carbon Steel
- Lever: Aluminium (STAUFF Sizes 02 and 04)  
Zinc (STAUFF Sizes 05 to 10)  
Aluminium (STAUFF Sizes 12 to 20)
- Ball seat: Delrin® (POM)
- O-rings: FPM (Viton®)

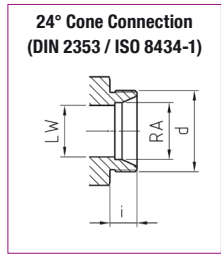
| STAUFF Size | Tube/Thread Size d | Nominal Size DN | Dimensions (mm/in) |     |      |      |      |      |      |      |      |       |      |     |     |     | Nom. Pressure (bar/psi) | Weight (kg/lbs) | Order Codes (Standard Option) |       |                  |
|-------------|--------------------|-----------------|--------------------|-----|------|------|------|------|------|------|------|-------|------|-----|-----|-----|-------------------------|-----------------|-------------------------------|-------|------------------|
|             |                    |                 | RA                 | LW  | L    | D    | I    | a    | H    | h    | m    | K     | V    | SW  | i   | d1  |                         |                 |                               | H1    | H2               |
| 02          | 06L / M12 x 1,5    | 4               | 6                  | 5   | 105  |      | 70   | 55   | 58   | 40   | 22   | 160   | 14   | 12  | 10  | 6,5 |                         | 101             | 500                           | 1,60  | LBV3DN0406L0001M |
|             |                    |                 | .24                | .20 | 4.13 |      | 2.76 | 2.17 | 2.28 | 1.57 | .87  | 6.30  | .55  | .47 | .39 | .26 |                         | 3.98            | 7250                          | 3.52  |                  |
| 04          | 08L / M14 x 1,5    | 6               | 8                  | 5   | 105  |      | 70   | 55   | 58   | 40   | 22   | 160   | 14   | 12  | 10  | 6,5 |                         | 101             | 500                           | 1,80  | LBV3DN0608L0001M |
|             |                    |                 | .31                | .20 | 4.13 |      | 2.76 | 2.17 | 2.28 | 1.57 | .87  | 6.30  | .55  | .47 | .39 | .26 |                         | 3.98            | 7250                          | 3.96  |                  |
| 05          | 10L / M16 x 1,5    | 8               | 10                 | 8   | 114  |      | 80   | 65   | 68   | 50   | 27   | 200   | 14   | 14  | 11  | 6,5 | 72                      |                 | 500                           | 2,60  | LBV3DN0810L0001M |
|             |                    |                 | .39                | .31 | 4.49 |      | 3.15 | 2.56 | 2.68 | 1.97 | 1.06 | 7.87  | .55  | .55 | .43 | .26 | 2.83                    |                 | 7250                          | 5.72  |                  |
| 06          | 12L / M18 x 1,5    | 10              | 12                 | 8   | 114  |      | 80   | 65   | 68   | 50   | 27   | 200   | 14   | 14  | 11  | 6,5 | 72                      |                 | 500                           | 2,60  | LBV3DN1012L0001M |
|             |                    |                 | .47                | .31 | 4.49 |      | 3.15 | 2.56 | 2.68 | 1.97 | 1.06 | 7.87  | .55  | .55 | .43 | .26 | 2.83                    |                 | 7250                          | 5.72  |                  |
| 08          | 15L / M22 x 1,5    | 13              | 15                 | 13  | 137  |      | 100  | 80   | 78   | 60   | 31   | 200   | 14   | 14  | 12  | 9   | 82                      |                 | 400                           | 4,70  | LBV3DN1315L0001M |
|             |                    |                 | .59                | .51 | 5.39 |      | 3.94 | 3.15 | 3.07 | 2.36 | 1.22 | 7.87  | .55  | .55 | .47 | .35 | 3.23                    |                 | 5800                          | 10.34 |                  |
| 10          | 18L / M26 x 1,5    | 16              | 18                 | 18  | 137  |      | 113  | 85   | 88   | 67   | 36,5 | 320   | 16,5 | 17  | 12  | 8,5 | 82                      |                 | 400                           | 4,70  | LBV3DN1618L0001M |
|             |                    |                 | .71                | .71 | 5.39 |      | 4.45 | 3.35 | 3.46 | 2.64 | 1.44 | 12.60 | .65  | .67 | .47 | .33 | 3.23                    |                 | 5800                          | 10.34 |                  |
| 12          | 22L / M30 x 2      | 20              | 22                 | 23  | 152  | 138  | 119  | 85   | 103  | 82   | 47,5 | 320   | 16,5 | 17  | 14  | 8,5 | 96                      |                 | 315                           | 6,60  | LBV3DN2022L0001M |
|             |                    |                 | .87                | .91 | 5.98 | 5.43 | 4.69 | 3.35 | 4.06 | 3.23 | 1.87 | 12.60 | .65  | .67 | .55 | .33 | 3.78                    |                 | 4567                          | 14.52 |                  |
| 16          | 28L / M36 x 2      | 25              | 28                 | 23  | 166  | 138  | 119  | 85   | 103  | 82   | 47,5 | 320   | 16,5 | 17  | 14  | 8,5 | 112                     |                 | 315                           | 8,00  | LBV3DN2528L0001M |
|             |                    |                 | 1.10               | .91 | 6.54 | 5.43 | 4.69 | 3.35 | 4.06 | 3.23 | 1.87 | 12.60 | .65  | .67 | .55 | .33 | 4.41                    |                 | 4567                          | 17.60 |                  |
| 20          | 35L / M45 x 2      | 25/32           | 35                 | 23  | 170  | 138  | 119  | 85   | 103  | 82   | 47,5 | 320   | 16,5 | 17  | 16  | 8,5 | 112                     |                 | 315                           | 8,12  | LBV3DN2535L0001M |
|             |                    |                 | 1.38               | .91 | 6.69 | 5.43 | 4.69 | 3.35 | 4.06 | 3.23 | 1.87 | 12.60 | .65  | .67 | .63 | .33 | 4.41                    |                 | 4567                          | 17.86 |                  |

Please note the pressure ratings of the tube connections.

**High-Pressure Block Body Ball Valve - Type LBV  
L-Bore Three-Way Selector - 24° Cone Connection  
Heavy Series (DIN 2353 / ISO 8434-1)**



Hex nuts and cutting rings are not included in delivery.



When ordering the standard option as indicated in the table below, the following materials will be supplied:

- Body, ball and stem: Carbon Steel
- Lever: Aluminium (STAUFF Sizes 02 and 04)  
Zinc (STAUFF Sizes 05 to 10)  
Aluminium (STAUFF Sizes 12 to 20)
- Ball seat: Delrin® (POM)
- O-rings: FPM (Viton®)

| STAUFF Size | Tube/Thread Size d | Nominal Size DN | Dimensions (mm/in) |     |      |      |      |      |      |      |      |       |      |     |     |     | Nom. Pressure (bar/psi) | Weight (kg/lbs) | Order Codes (Standard Option) |       |                  |
|-------------|--------------------|-----------------|--------------------|-----|------|------|------|------|------|------|------|-------|------|-----|-----|-----|-------------------------|-----------------|-------------------------------|-------|------------------|
|             |                    |                 | RA                 | LW  | L    | D    | I    | a    | H    | h    | m    | K     | V    | SW  | i   | d1  |                         |                 |                               | H1    | H2               |
| 02          | 08S / M16 x 1,5    | 4               | 8                  | 5   | 105  |      | 70   | 55   | 58   | 40   | 22   | 160   | 14   | 12  | 12  | 6,5 |                         | 101             | 500                           | 1,60  | LBV3DN0408S0001M |
|             |                    |                 | .31                | .20 | 4.13 |      | 2.76 | 2.17 | 2.28 | 1.57 | .87  | 6.30  | .55  | .47 | .47 | .26 |                         | 3.98            | 7250                          | 3.52  |                  |
| 04          | 10S / M18 x 1,5    | 6               | 10                 | 5   | 105  |      | 70   | 55   | 58   | 40   | 22   | 160   | 14   | 12  | 12  | 6,5 |                         | 101             | 500                           | 1,80  | LBV3DN0610S0001M |
|             |                    |                 | .39                | .20 | 4.13 |      | 2.76 | 2.17 | 2.28 | 1.57 | .87  | 6.30  | .55  | .47 | .47 | .26 |                         | 3.98            | 7250                          | 3.96  |                  |
| 05          | 12S / M20 x 1,5    | 8               | 12                 | 8   | 116  |      | 80   | 65   | 68   | 50   | 27   | 200   | 14   | 14  | 12  | 6,5 | 72                      |                 | 500                           | 2,60  | LBV3DN0812S0001M |
|             |                    |                 | .47                | .31 | 4.57 |      | 3.15 | 2.56 | 2.68 | 1.97 | 1.06 | 7.87  | .55  | .55 | .47 | .26 | 2.83                    |                 | 7250                          | 5.72  |                  |
| 06          | 14S / M22 x 1,5    | 10              | 14                 | 8   | 120  |      | 80   | 65   | 68   | 50   | 27   | 200   | 14   | 14  | 14  | 6,5 | 72                      |                 | 500                           | 2,60  | LBV3DN1014S0001M |
|             |                    |                 | .55                | .31 | 4.72 |      | 3.15 | 2.56 | 2.68 | 1.97 | 1.06 | 7.87  | .55  | .55 | .55 | .26 | 2.83                    |                 | 7250                          | 5.72  |                  |
| 08          | 16S / M24 x 1,5    | 13              | 16                 | 13  | 141  |      | 100  | 80   | 78   | 60   | 31   | 200   | 14   | 14  | 14  | 9   | 82                      |                 | 400                           | 4,70  | LBV3DN1316S0001M |
|             |                    |                 | .63                | .51 | 5.55 |      | 3.94 | 3.15 | 3.07 | 2.36 | 1.22 | 7.87  | .55  | .55 | .55 | .35 | 3.23                    |                 | 5800                          | 10.34 |                  |
| 10          | 20S / M30 x 2      | 16              | 20                 | 18  | 145  |      | 113  | 85   | 88   | 67   | 36,5 | 320   | 16,5 | 17  | 16  | 8,5 | 82                      |                 | 400                           | 4,70  | LBV3DN1620S0001M |
|             |                    |                 | .79                | .71 | 5.71 |      | 4.45 | 3.35 | 3.46 | 2.64 | 1.44 | 12.60 | .65  | .67 | .63 | .33 | 3.23                    |                 | 5800                          | 10.34 |                  |
| 12          | 25S / M36 x 2      | 20              | 25                 | 23  | 160  | 138  | 119  | 85   | 103  | 82   | 47,5 | 320   | 16,5 | 17  | 18  | 8,5 | 96                      |                 | 315                           | 6,60  | LBV3DN2025S0001M |
|             |                    |                 | .98                | .91 | 6.30 | 5.43 | 4.69 | 3.35 | 4.06 | 3.23 | 1.87 | 12.60 | .65  | .67 | .71 | .33 | 3.78                    |                 | 4567                          | 14.52 |                  |
| 16          | 30S / M42 x 2      | 25              | 30                 | 23  | 176  | 138  | 119  | 85   | 103  | 82   | 47,5 | 320   | 16,5 | 17  | 20  | 8,5 | 112                     |                 | 315                           | 8,00  | LBV3DN2530S0001M |
|             |                    |                 | 1.18               | .91 | 6.93 | 5.43 | 4.69 | 3.35 | 4.06 | 3.23 | 1.87 | 12.60 | .65  | .67 | .79 | .33 | 4.41                    |                 | 4567                          | 17.60 |                  |
| 20          | 38S / M52 x 2      | 25/32           | 38                 | 23  | 180  | 138  | 119  | 85   | 103  | 82   | 47,5 | 320   | 16,5 | 17  | 22  | 8,5 | 112                     |                 | 315                           | 8,12  | LBV3DN2538S0001M |
|             |                    |                 | 1.50               | .91 | 7.09 | 5.43 | 4.69 | 3.35 | 4.06 | 3.23 | 1.87 | 12.60 | .65  | .67 | .87 | .33 | 4.41                    |                 | 4567                          | 17.86 |                  |

Please note the pressure ratings of the tube connections.