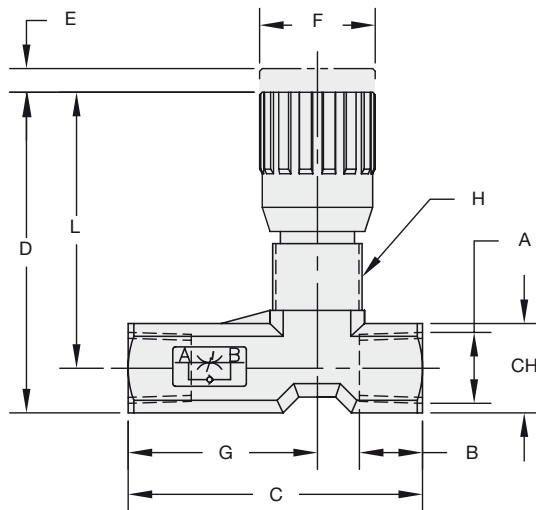


Medium-Duty Flow Control Valve - Type FCH (In-Line Assembly)



Dimensions

Type + Nominal Size	Thread Options A	Dimensions (mm/in)						Thread H	L	□ CH	Weight (kg/lbs)
		B	C	D	E	F	G				
FCH-8	1/4 NPT	12	56	61	4,5	22	36	M17x1	52,5	17	0,14
	7/16-20 UNF (1/4" SAE)	.47	2.20	2.40	.18	.87	1.42				
FCH-10	3/8 NPT	13	64,5	74	7	27	41,5	M20x1	63	22	0,26
	9/16-18 UNF (3/4" SAE)	.51	2.54	2.91	.28	1.06	1.63				
FCH-12	1/2 NPT	16	87	85,5	10	33	57	M25x1,5	72	27	0,49
	3/4-16 UNF (1/2" SAE)	.63	3.42	3.37	.39	1.30	2.24				

Characteristics

Throttle and shut-off the flow of liquid media in direction A-B (free flow in reverse direction)

Features

- Designed for in-line assembly with female NPT and SAE threaded connections; female BSP threaded connections available on request
- Ideal for medium-duty applications
- Panel mounting kits available on request
- Graduated turning knob to accurately control flow
- Set-screw located on side of turning knob to lock valve in position

Media Compatibility

- Suitable for hydraulic fluids

Please consult STAUFF before using with other media.

Materials

- Body made of Steel, nickel-plated
- Internal components made of Stainless Steel
- O-rings made of NBR (Buna-N®); FPM (Viton®) sealed version available
- Anti-extrusion ring made of PTFE

Consult STAUFF for alternative materials.

Technical Data

- Maximum working pressure: 350 bar / 5000 PSI (for all sizes)
- Operating temperature range: -34 °C ... +121 °C / -30 °F ... +250 °F

Accessories / Spare Parts

Panel Mounting Kits

- for NVH/FCH/NVW/FCM-08 (thread size M17x1): **PMK-8-T**
- for NVH/FCH/NVW/FCM-10 (thread size M20x1): **PMK-810-T**
- for NVH/FCH/NVW/FCM-12 (thread size M25x1,5): **PMK-1012-T**

Order Codes

FCH - 8 N



① Type

Medium-Duty Flow Control Valve
(In-Line Assembly)

FCH

② STAUFF Size

08 10 12

③ Connection

Female NPT threads (ANSI B1.20.1) **N**
Female UN/UNF thread (SAE J514) **S**

Female BSP threads (ISO 228) available on request.