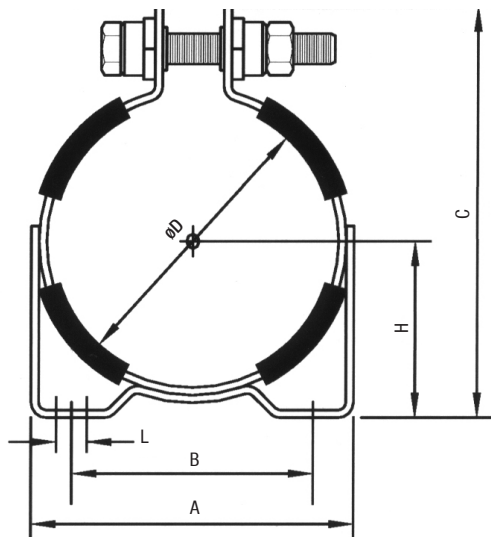
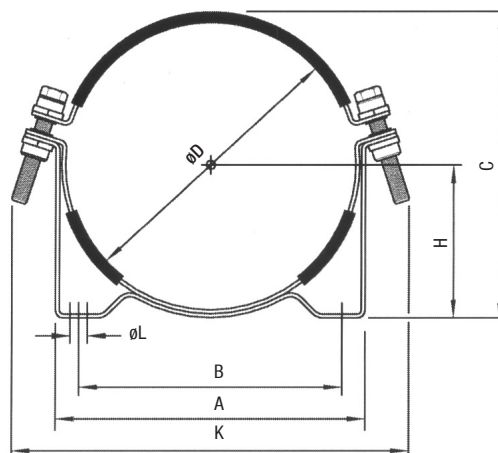


Accumulator Brackets - Type AMP & AMP/D

Type AMP



Type AMP/D



STAUFF Clamp Part Number	Dimensions (mm/in)						
	"ØD" Nom	A	B	C	H	L (Slot)	Width
AMP108	108	138	100	150	64	9.7 X 12.7	32
	4.25	5.43	3.94	5.91	2.52	.38 X .50	1.25
AMP114	114	134	100	170	73	9.7 X 12.7	32
	4.50	5.26	3.94	6.68	2.87	.38 X .50	1.25
AMP126	126	175	136	181	77	9.7 X 12.7	32
	4.96	6.89	5.35	7.12	3.03	.38 X .50	1.25
AMP146	146	168	136	197	89	9.7 X 12.7	32
	5.75	6.63	5.35	7.75	3.50	.38 X .50	1.25
AMP172	172	191	153	229	100	9.7 X 12.7	32
	6.75	7.50	6.02	9.00	3.94	.38 X .50	1.25
AMP206	206	254	208	248	115	9.7 X 12.7	32
	8.11	10.00	8.20	9.75	4.53	.38 X .50	1.25
AMP231	231	254	208	274	125	9.7 X 12.7	32
	9.10	10.00	8.20	10.80	4.93	.38 X .50	1.25

STAUFF Clamp Part Number	Dimensions (mm/in)							
	"ØD" Nom	A	B	C	H	K	L	Width
AMP/D206	206	260	208	230	118	275	15.0	38
	8.11	10.24	8.19	9.06	4.65	10.83	0.59	1.50
AMP/D210	213	270	216	238	123	285	15.0	38
	8.39	10.63	8.50	9.37	4.84	11.22	0.59	1.50
AMP/D219	219	268	216	242	123	285	15.0	38
	8.63	10.55	8.50	9.53	4.84	11.22	0.59	1.50
AMP/D228	232	254	216	251	126	317	15.0	38
	9.12	10	8.50	9.89	4.95	12.48	0.59	1.50
AMP/D254	248	264	216	267	135	330	15.0	38
	9.75	10.40	8.50	10.50	5.31	13.00	0.59	1.50
AMP/D286	286	332	280	315	163	355	15.0	38
	11.26	13.07	11.02	12.40	6.42	13.98	0.59	1.50
AMP/D310	310	332	280	334	170	380	15.0	38
	12.20	13.07	11.02	13.15	6.69	14.96	0.59	1.50
AMP/D362	359	427	365	383	195	424	15.0	38
	14.13	16.80	14.35	15.08	7.68	16.70	0.59	1.50