

Two-Piece Brass Body Valve ▪ Type 2BVL

Characteristics

Two-way low pressure ball valves designed for use as a on/off devices for hydraulic applications

Features

- Forged / cast construction with blow-out proof stem
- Body and ball made of Brass
- Female NPT or SAE connections
(modified BSPP O-ring port for sizes 40, 48 and 64)

Options

- Locking devices
- Limit switches
- Actuator packages

Please see page F76 for detailed ordering information.

Media Compatibility

- Suitable for hydraulic fluids

Please consult STAUFF before using with other media.

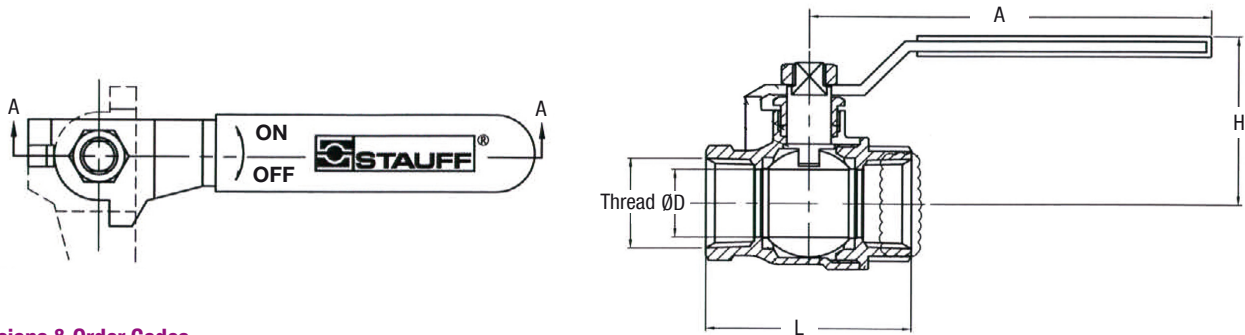
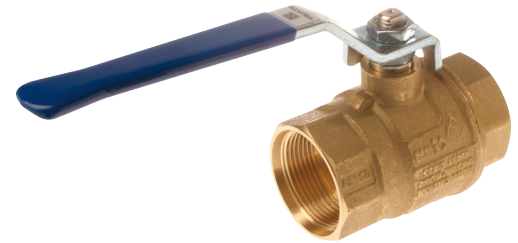
Materials

- Body: Forged Brass for Sizes 04 to 24
Cast Brass for Sizes 32 to 64
- Stem: Brass
- Ball: Brass, chrome plated
- Seals: Teflon® (PTFE)
- Ball seats: Teflon® (PTFE)
- Handle: Carbon Steel, zinc plated, vinyl grip

Technical Data

- Operation Pressure:
For STAUFF Sizes 04 and 06: 40 bar / 600 PSI
For STAUFF Sizes 08 to 16: 30 bar / 435 PS
For STAUFF Sizes 20 to 64: 25 bar / 362 PSI
- Operating temperature range up to +160 °C / +366 °F

Please see the pressure / temperature rating chart on page F76 for details.



Dimensions & Order Codes

STAUFF Size	Thread Size	Dimensions (mm/in)				Flow Factor Cv	Max. Working Pressure (bar/PSI)	Weight (kg/lbs)	Order Codes (NPT + SAE Version)
		ØD	L	A	H				
04	1/4 NPT	10	46	84	44,5	6	40	0,13	2BVL-20 04 F 2BVL-21 04 F
	1/4" SAE (7/16-20 UNF)	.39	1.81	3.31	1.75		600	.30	
06	3/8 NPT	10	46	84	44,5	7	40	0,13	2BVL-21 06 F 2BVL-21 06 F
	3/8" SAE (9/16-18 UNF)	.39	1.81	3.31	1.75		600	.28	
08	1/2 NPT	12,7	55	84	48	19	30	0,19	2BVL-20 08 F 2BVL-21 08 F
	1/2" SAE (3/4-16 UNF)	.50	2.17	3.31	1.88		435	.41	
12	3/4 NPT	20	64	84	58	34	30	0,30	2BVL-20 12 F 2BVL-21 12 F
	3/4" SAE (1-1/16-12 UN)	.78	2.52	3.31	2.28		435	.67	
16	1 NPT	25	76	118	62	50	30	0,50	2BVL-20 16 F 2BVL-21 16 F
	1" SAE (1-5/16-12 UN)	.98	2.99	4.65	2.44		435	1.09	
20	1-1/4 NPT	32	87	118	78	104	30	0,90	2BVL-20 20 F 2BVL-21 20 F
	1-1/4" SAE (1-5/8-12 UN)	1.25	3.43	4.65	3.07		435	2.01	
24	1-1/2 NPT	38	93	134	85	268	25	1,40	2BVL-20 24 F 2BVL-21 24 F
	1-1/2" SAE (1-7/8-12 UN)	1.50	3.66	5.28	3.34		362	3.08	
32	2 NPT	50	110	134	96,5	309	25	1,90	2BVL-20 32 F 2BVL-21 32 F
	2" SAE (2-1/2-12 UN)	1.96	4.33	5.28	3.79		362	4.18	
40	2-1/2 NPT	63	131	200	127,5	629	25	3,60	2BVL-20 40 F 2BVL-2R 40 F
	2-1/2-11 BSPP *	2.48	5.16	7.88	5.02		362	8.00	
48	3 NPT	75	150	200	138,5	1018	25	5,90	2BVL-20 48 F 2BVL-2R 48 F
	3-11 BSPP *	2.95	5.91	7.88	5.45		362	12.90	
64	4 NPT	100	214	260	161	1622	25	10,00	2BVL-20 64 B 2BVL-2R 64 B
	4-11 BSPP *	3.94	8.43	10.23	6.34		362	22.04	

* Please note: STAUFF Size 40, 48 and 64 ball valves are not equipped with a standard SAE port.

The O-ring port is a modified BSPP port to duplicate the benefits of an O-ring seal such as SAE that is only available up to STAUFF Size 32.



These valves can be used with a wide range of STAUFF port adapters. See pages F77 and F78 for details.