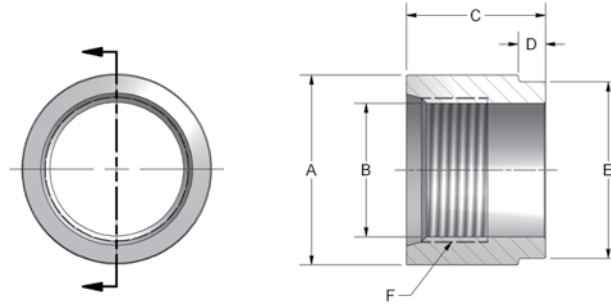


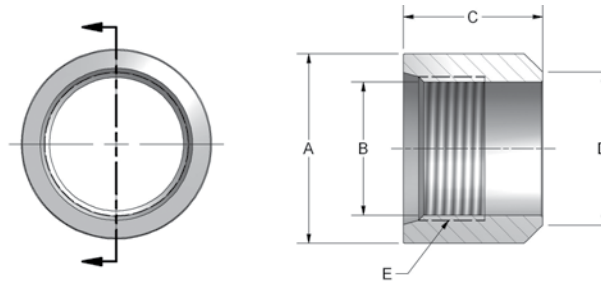
# SAE Half Couplings



- AISI1020 Carbon Steel
- 316L Stainless Steel
- Includes individual thread identification marking
- Additional thread sizes and configurations available

SAE HALF COUPLING							
CARBON STEEL PART NO.	STAINLESS STEEL PART NO.	A	B	C	D	E	F SAE UN-2B
835-4	835-4-SS	.88	.389	1.00	.250	.750	*7/16-20
835-6	835-6-SS	1.00	.509	1.00	.250	.875	*9/16-18
835-8	835-8-SS	1.25	.689	1.06	.250	1.125	*3/4-16
835-10	835-10-SS	1.38	.806	1.06	.250	1.250	*7/8-14
835-12	835-12-SS	1.50	.981	1.28	.250	1.375	1 1/16-12
835-14	835-14-SS	1.63	1.106	1.25	.250	1.500	1 3/16-12
835-16	835-16-SS	1.75	1.231	1.28	.250	1.625	1 5/16-12
835-20	835-20-SS	2.25	1.544	1.28	.250	2.125	1 5/8-12
835-24	835-24-SS	2.75	1.794	1.28	.250	2.500	1 7/8-12
835-32	835-32-SS	3.25	2.419	1.50	.250	3.000	2 1/2-12
835-40	835-40-SS	3.75	2.92	2.00	.250	3.500	3-12
835-48	835-48-SS	4.40	3.42	2.25	.250	4.000	3 1/2-12
835-64	835-64-SS	5.25	4.42	2.25	.250	5.000	4 1/2-12

\*UNF-2B



- AISI1020 Carbon Steel
- 316L Stainless Steel
- Includes individual thread identification marking
- Additional thread sizes and configurations available

SAE HALF COUPLING BEVEL						
CARBON STEEL PART NO.	STAINLESS STEEL PART NO.	A	B	C	D	E SAE UN-2B
835B-4	835B-4-SS	.88	.389	1.00	.570	*7/16-20
835B-6	835B-6-SS	1.00	.509	1.00	.690	*9/16-18
835B-8	835B-8-SS	1.25	.689	1.06	.870	*3/4-16
835B-10	835B-10-SS	1.38	.806	1.06	.990	*7/8-14
835B-12	835B-12-SS	1.50	.981	1.28	1.160	1 1/16-12
835B-14	835B-14-SS	1.63	1.106	1.25	1.290	1 3/16-12
835B-16	835B-16-SS	1.75	1.231	1.28	1.410	1 5/16-12
835B-20	835B-20-SS	2.25	1.544	1.28	1.720	1 5/8-12
835B-24	835B-24-SS	2.75	1.794	1.28	1.980	1 7/8-12
835B-32	835B-32-SS	3.25	2.419	1.50	2.600	2 1/2-12
835B-40	835B-40-SS	3.75	2.92	2.00	3.000	3-12
835B-48	835B-48-SS	4.40	3.42	2.25	3.500	3 1/2-12
835B-64	835B-64-SS	5.25	4.42	2.25	4.500	4 1/2-12

\*UNF-2B