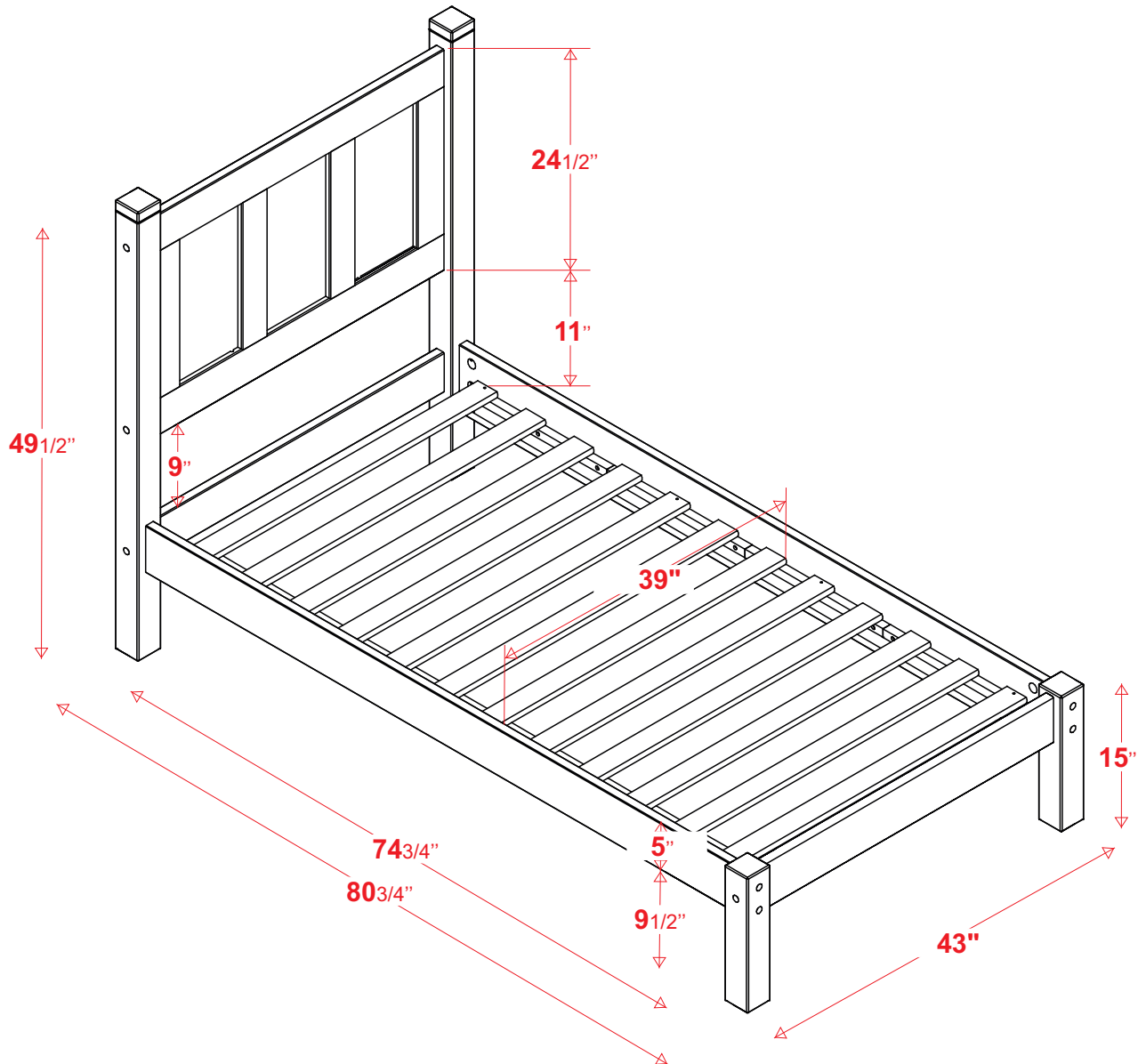


Product dimension sheet



Shaker Twin Panel Platform Bed
SH0101 / SH0102 / SH0104