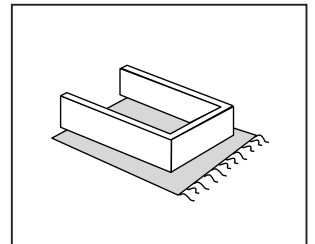
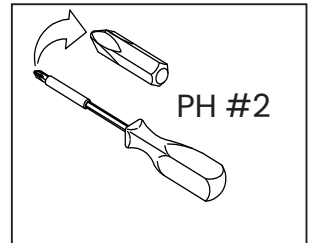
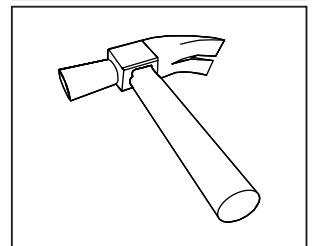
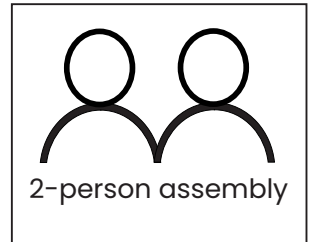
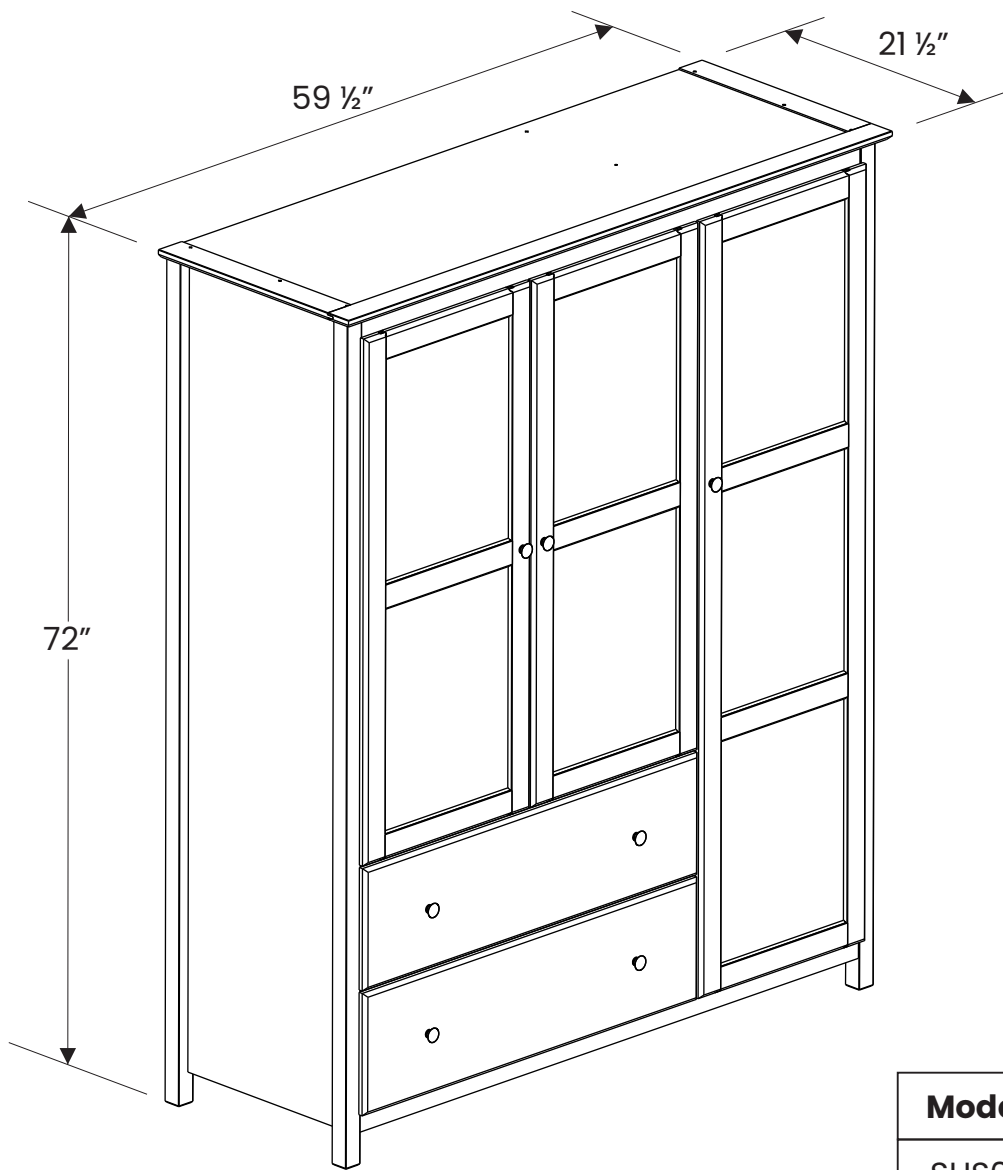


Assembly Instructions



Model #	Finish
SHS0901	Cherry
SHS0902	Espresso
SHS0904	Walnut

Thank you for choosing Grain Wood Furniture, it is an honor to be in your home! If you have any questions, feedback, or need replacement parts please contact us at: grainwoodfurniture.com/help or support@grainwoodfurniture.com

Shaker Collection
3-Door Wardrobe

GrainWood
FURNITURE.COM

PLEASE READ BELOW BEFORE BEGINNING ASSEMBLY

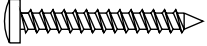
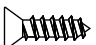
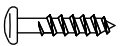
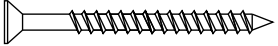
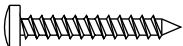


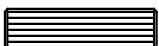
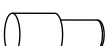



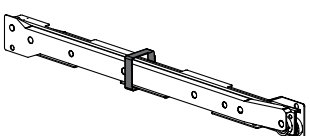
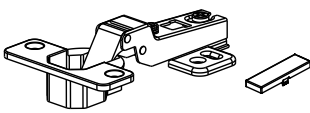
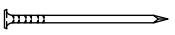
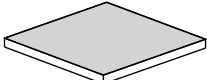

- Enlist help from a friend or family member as most items require two people for proper assembly.
- Choose a spacious, open area near where the piece will be located once assembled. It is easier to move parts than to relocate the furniture after it is fully assembled.
- Do not throw away packaging material until assembly is complete.
- Assemble the item on a soft surface, such as cardboard or an old blanket in order to protect the finish from possible dents or scratches.
- Lay out the parts in order and count them twice. In case any parts are missing or damaged, document the problem with pictures and contact support so we can make it right.
- Solid wood furniture may present imperfections such as wood knots, minor splits or cracks which are a natural aspect of the material. Whenever stability of the furniture is not compromised, we recommend customers perform cosmetic touch-ups with wax crayon fillers sold at all major hardware stores.
- It is best to use the tools provided in the box, such as a hex key, because they may be specially sized for the piece of furniture.
- We do not recommend the use of power drills as they can damage your furniture if not used correctly.
- Use a carpenter's square or hardcover book to check angles when assembling drawers and doors. If they are not at 90 degrees, they will not close properly.
- If you have any problems, we are here to help. Just go to grainwoodfurniture.com/help.
- See grainwoodfurniture.com/care-guide for suggestions that will help your furniture last for years.

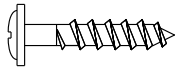
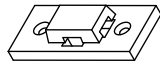



grainwoodfurniture.com/assembly-troubleshooting

Enjoy your 100% solid wood furniture!

HARDWARE LIST

A1	 4,0x30	50 + 3
A4	 3,5x14	8 + 1
A9	 3,5x16	41 + 3
A16	 4,0x40	9 + 1
A18	 4,0x25	4 + 1
A25	 M4x25	7 + 1
B31	 6,0x10	20 + 1
C2	 8,0x25	59 + 3
D4	 metal	16 + 1
D10		2
D21		4 + 1
D27		5
E21		2
E22		2
	385mm - 15 1/4"	
F10		9
G1	 10x10	53
G12	 30x30	6
H4		7

ANTI-TIPPING RESTRAINT KIT		
A47	 3,0x20	2 + 1
F8		2
F15	 250 - 9 3/4"	1

ATTENTION

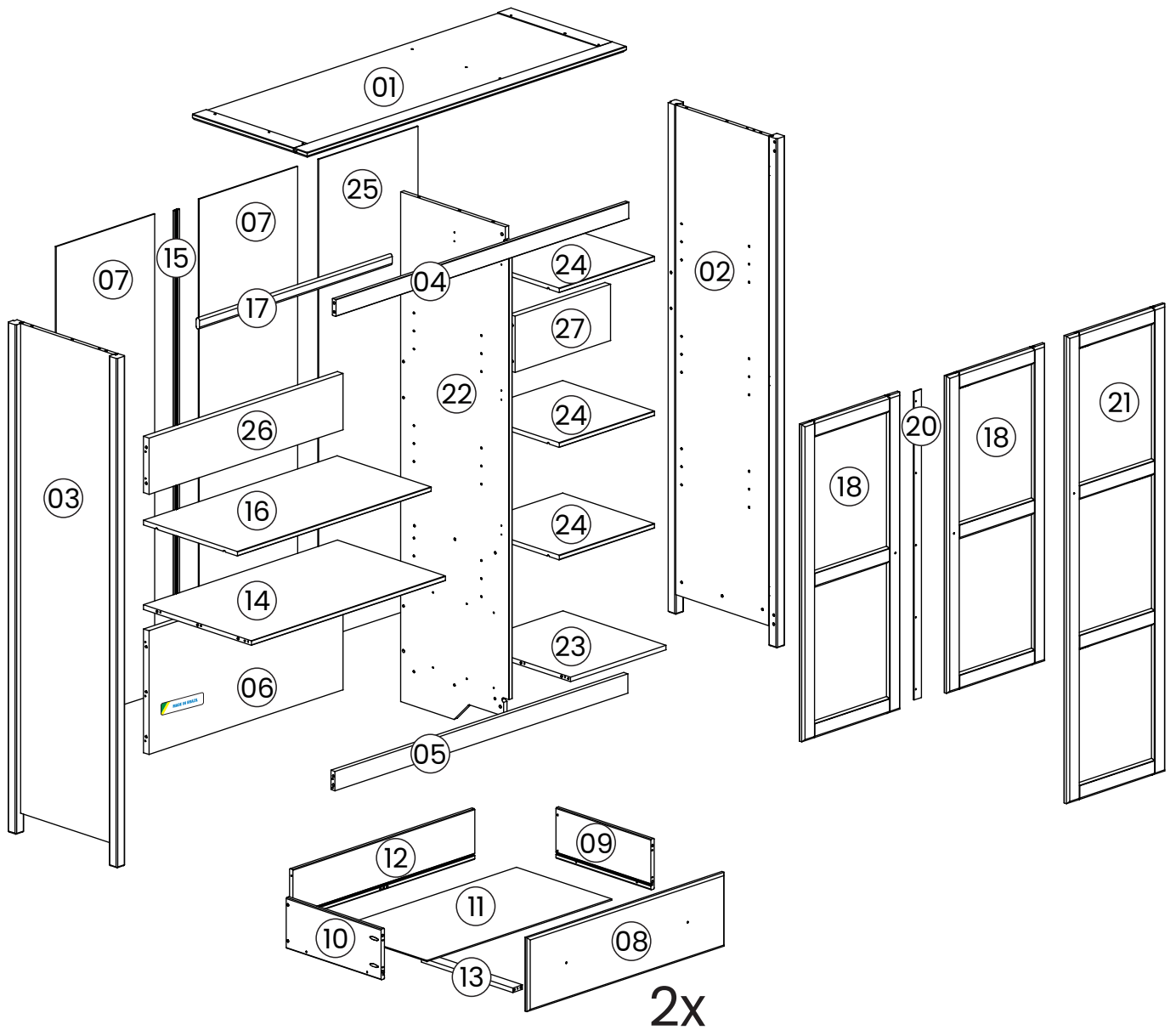
Before starting assembly please verify the hardware set is complete.

For missing hardware please contact us at grainwoodfurniture.com/help

WARNING:

CHOKING HAZARD

Small parts, not for children.
To be assembled by an adult.

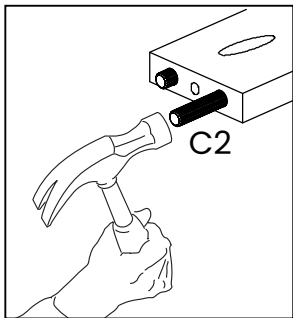
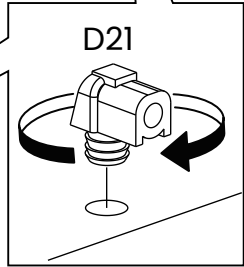
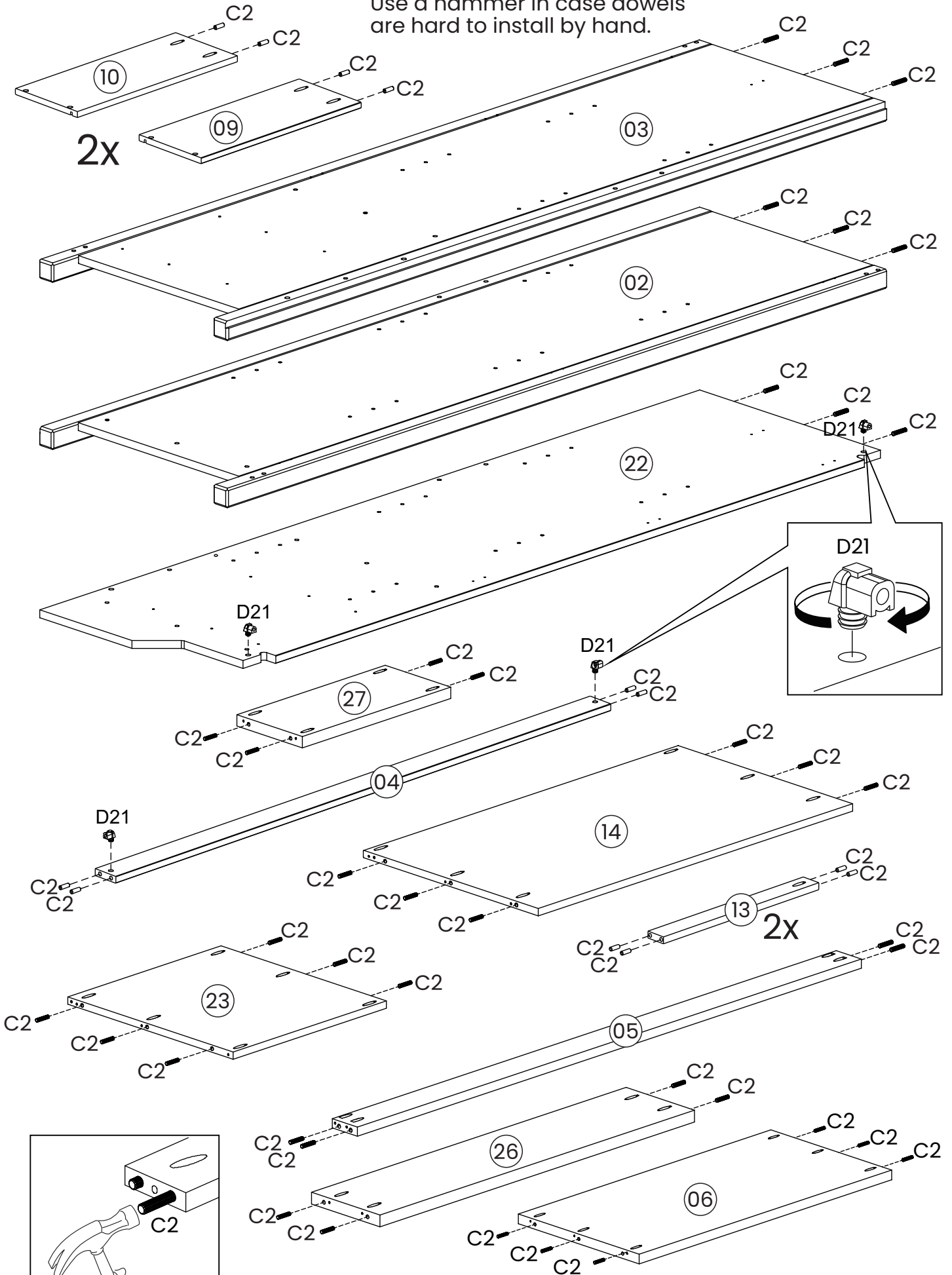




BOX A - 1 of 2		
Part #	Description	Qty.
01	Top	1
02	Right side	1
03	Left side	1
04	Upper crosspiece	1
05	Lower crosspiece	1
07	Back panel	2
15	Profile "H"	1
20	Door stop	1
21	Right door - tall	1
22	Division	1
25	Back panel	1

BOX B - 2 of 2		
Part #	Description	Qty.
06	Rear panel	1
08	Drawer front	2
09	Drawer right side	2
10	Drawer left side	2
11	Drawer bottom	2
12	Drawer back	2
13	Drawer bottom support	2
14	Fixed shelf	1
16	Wide shelf (adjustable)	1
17	Hanging bar	1
18	Door - short	2
23	Base short	1
24	Narrow shelf (adjustable)	3
26	Long stabilizer	1
27	Short stabilizer	1
HW	Hardware	1

1)

Tip:
Use a hammer in case dowels
are hard to install by hand.

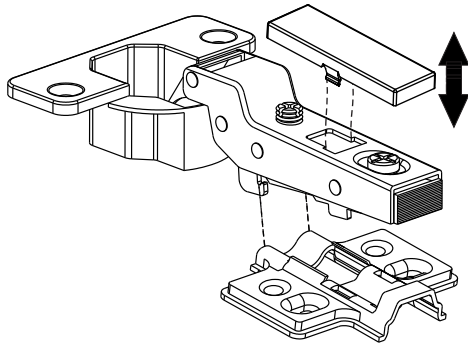


C2		59	D21		4
----	---	----	-----	---	---

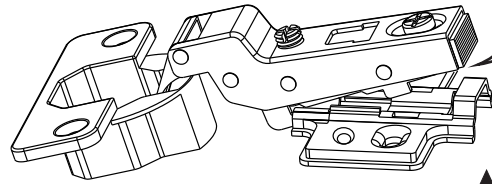
8,0x25

2)

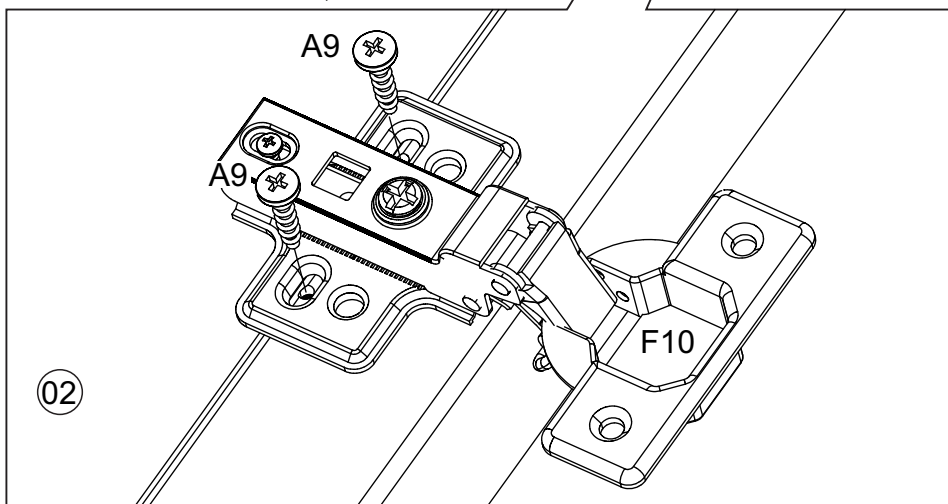
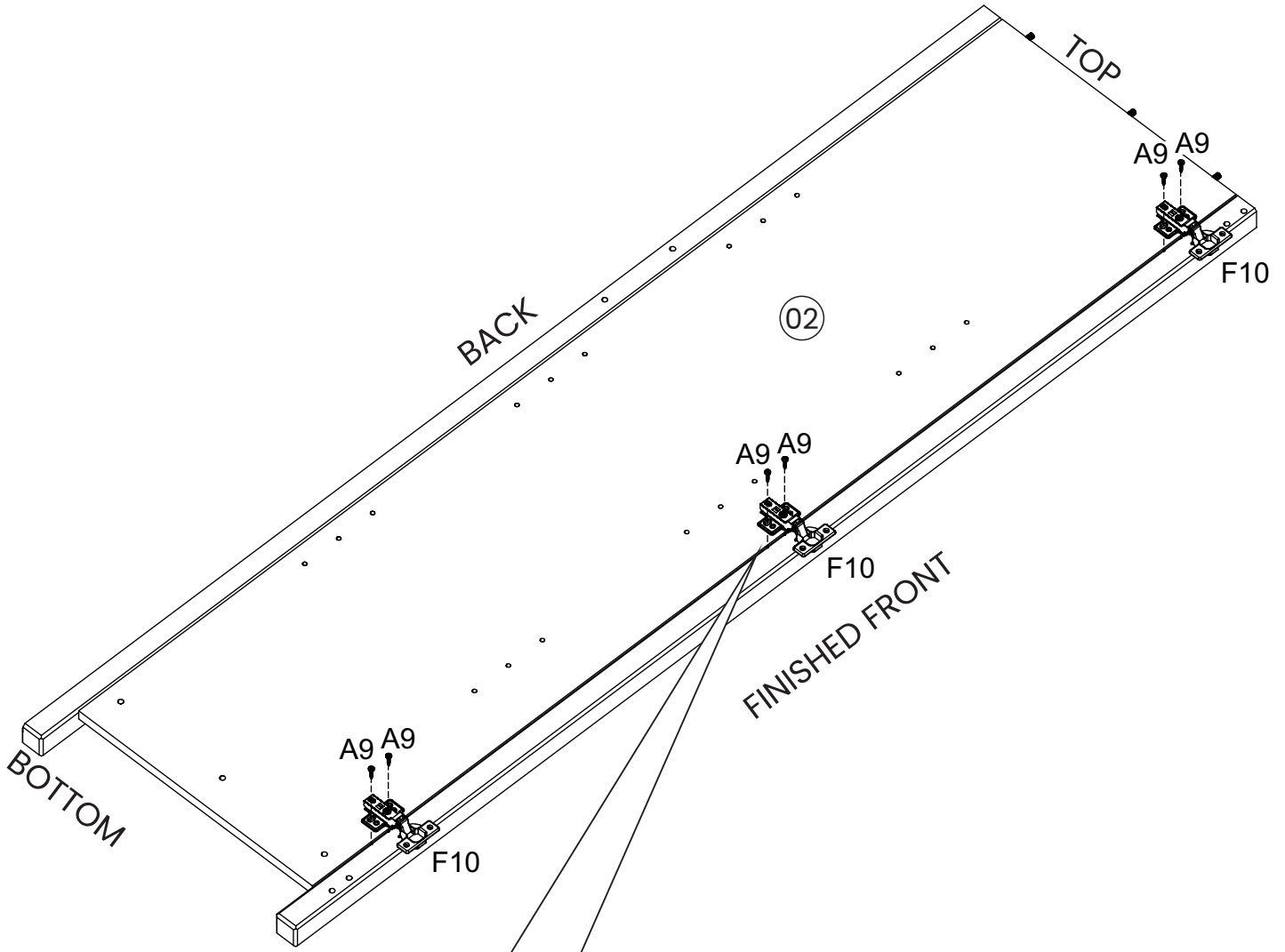
Attach hinge (F10) to hinge plate if it comes separated.
Push hinge against plate until it clicks.





F10

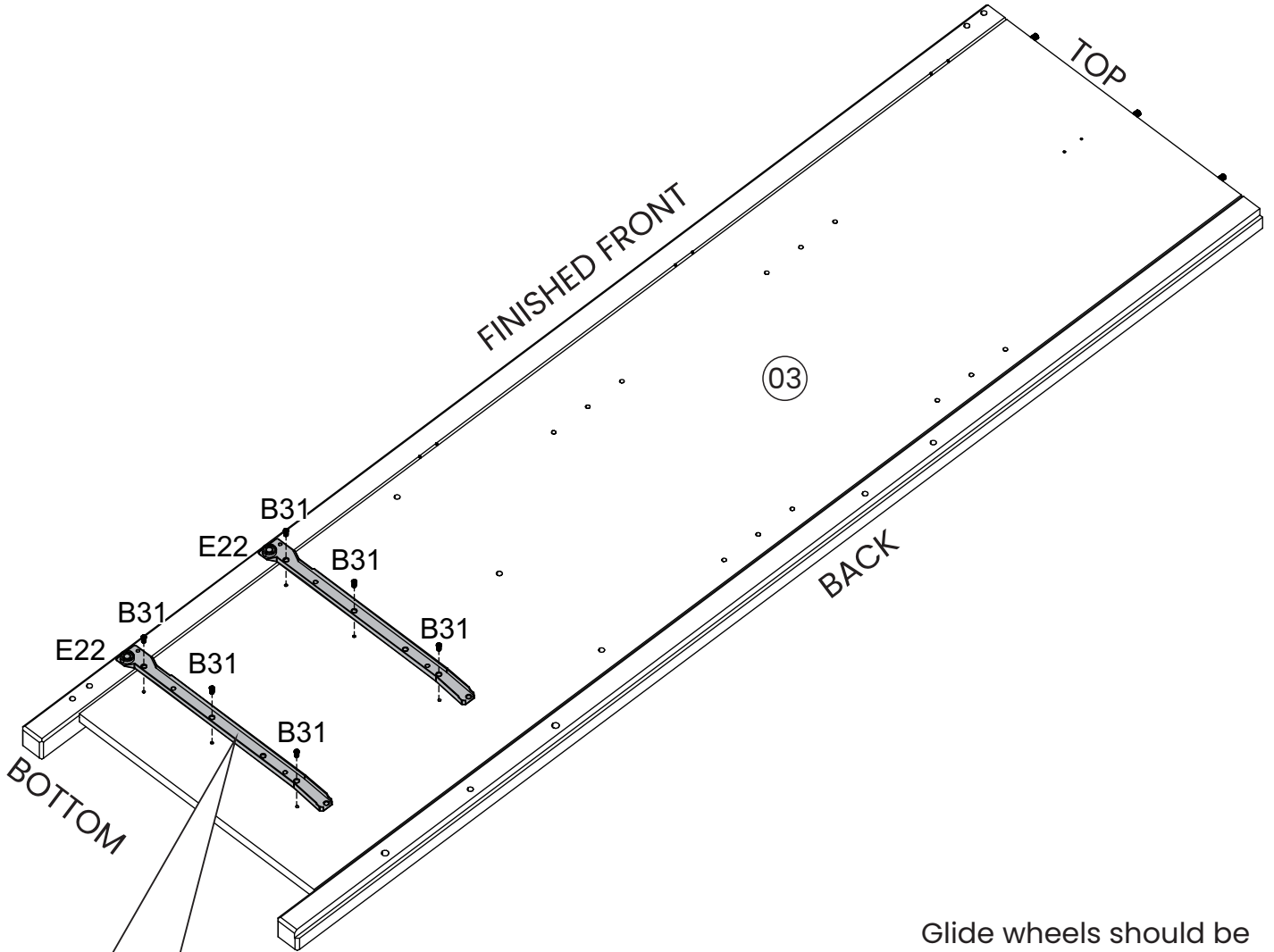
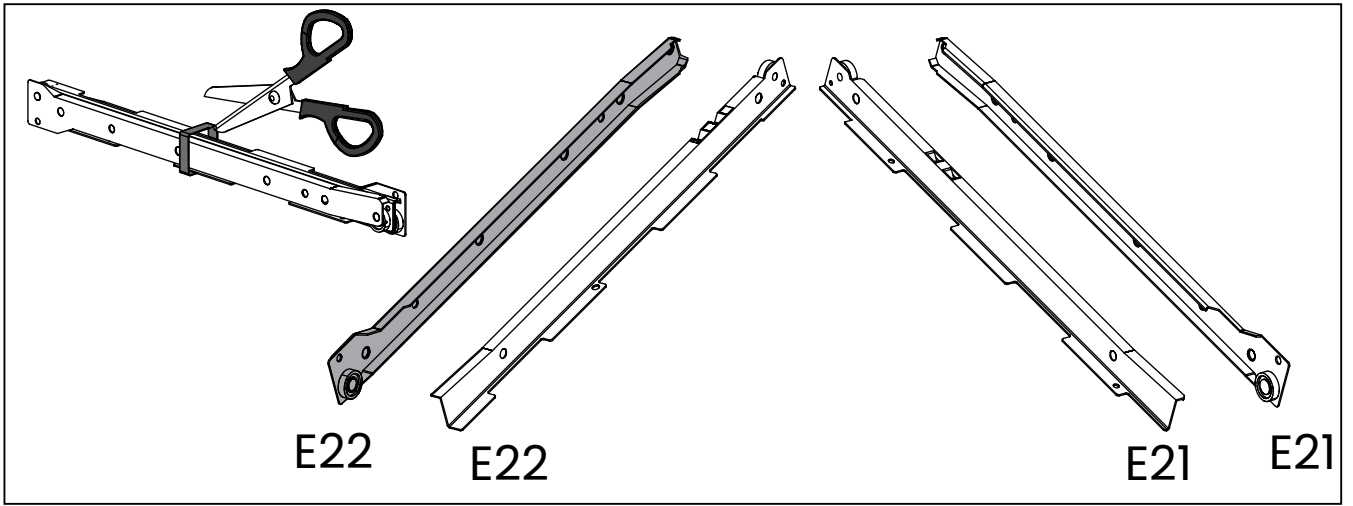


click!

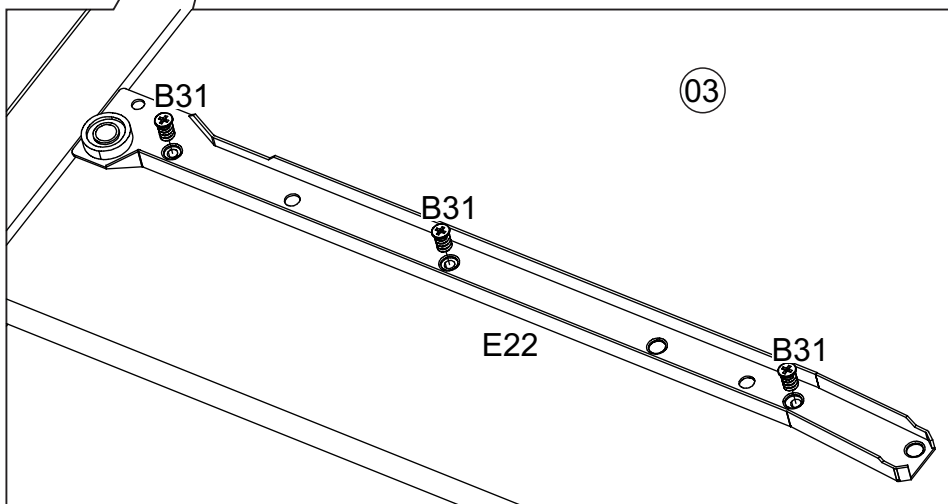



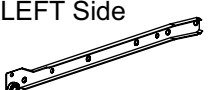
A9	 3,5x16	6
F10		3

3)



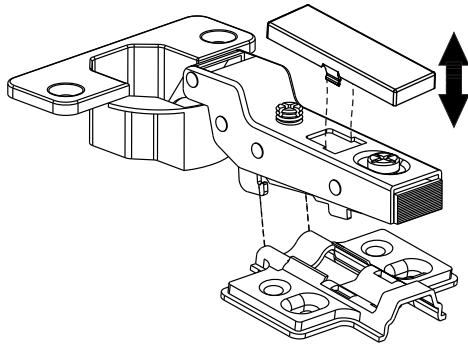
Glide wheels should be positioned towards the front and bottom of the side panel.



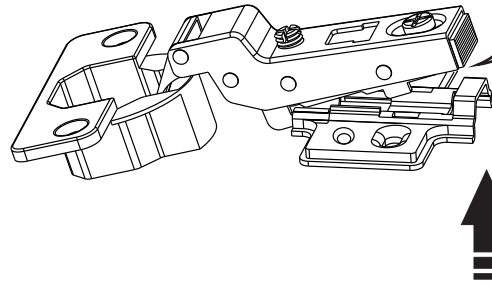
B31	 6,0x10	6
E22	LEFT Side 	2

4)

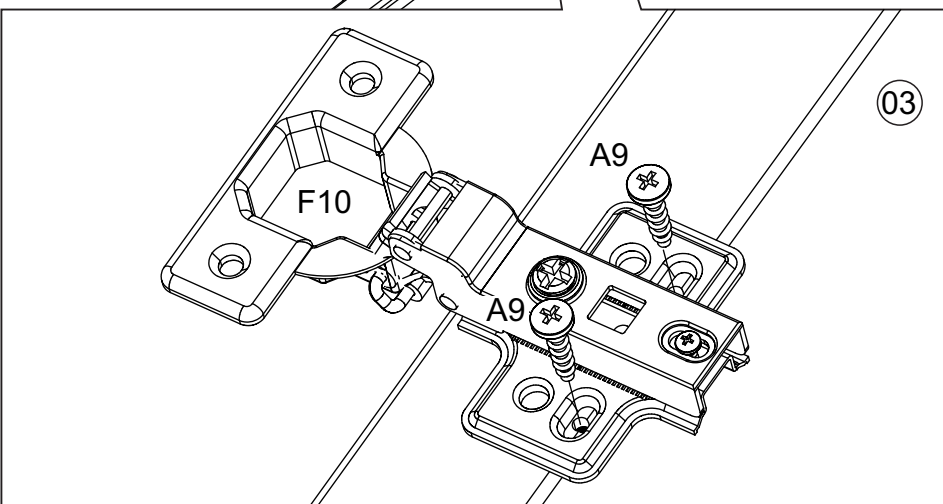
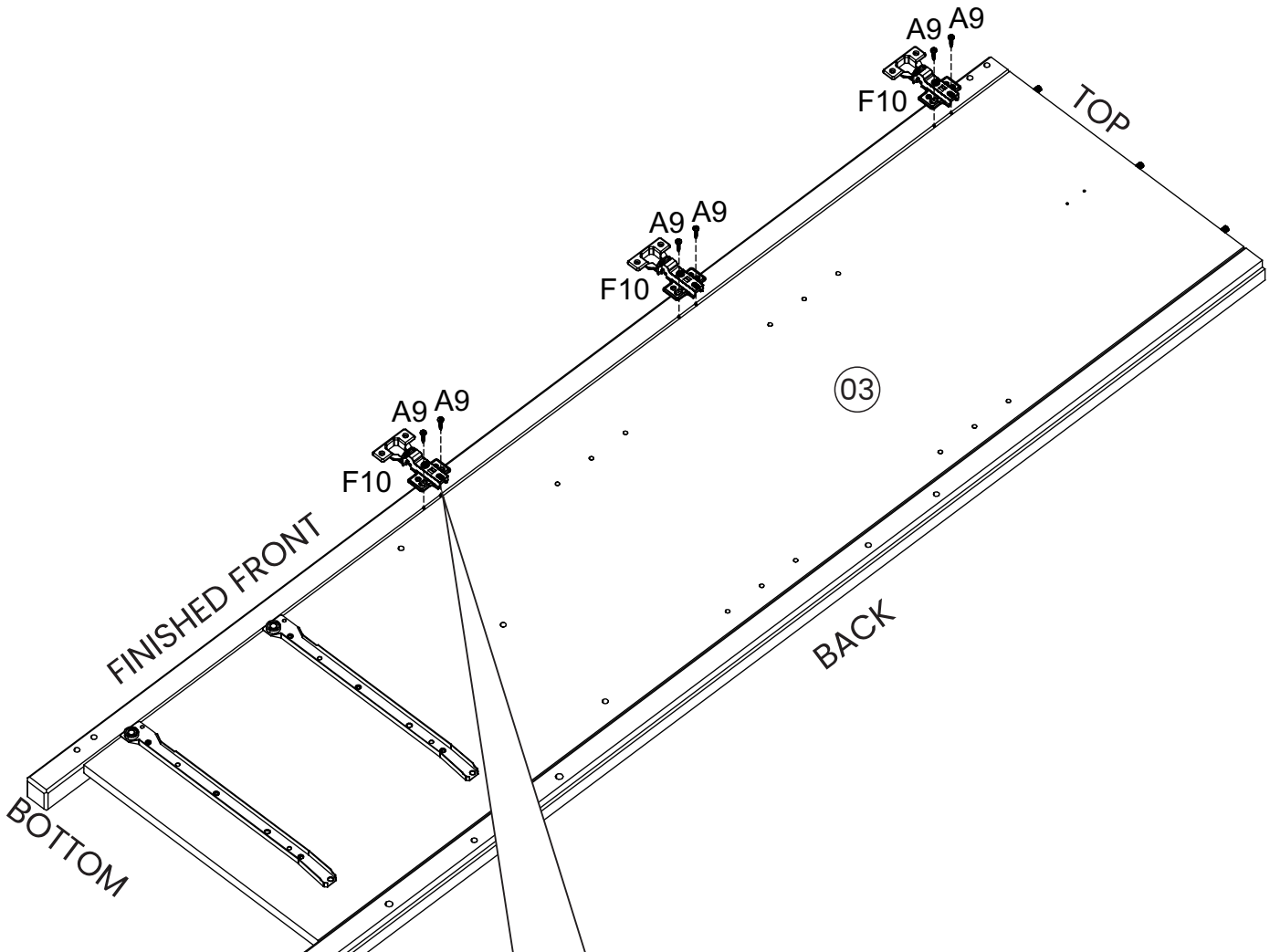
Attach hinge (F10) to hinge plate if it comes separated.
Push hinge against plate until it clicks.

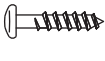



F10

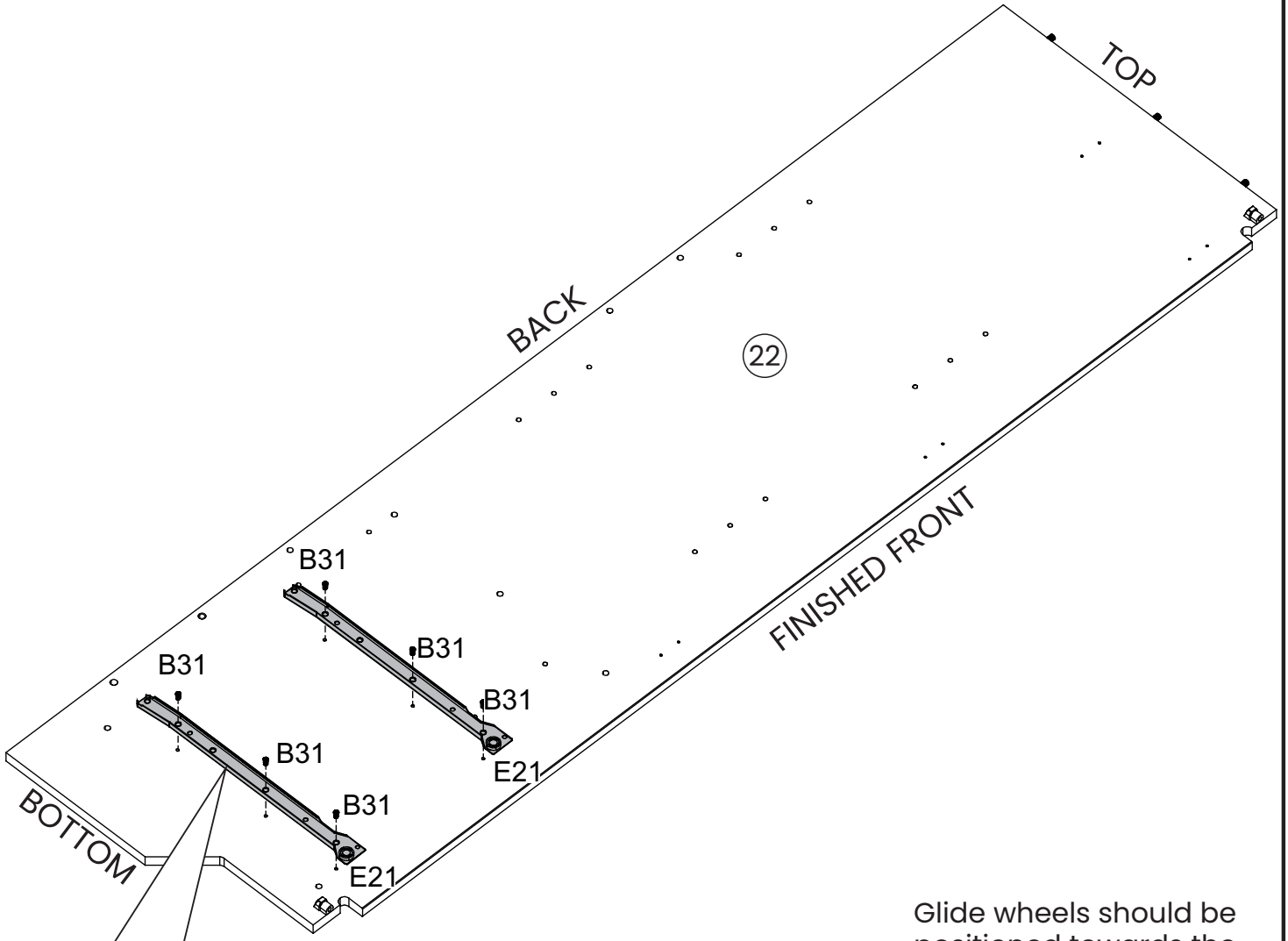
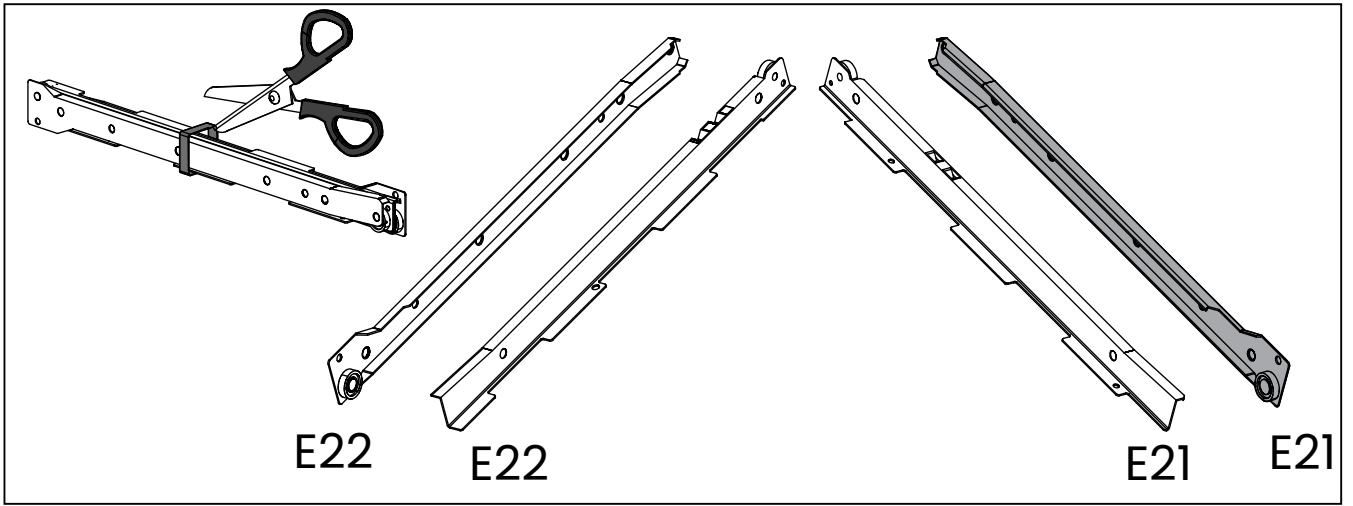


click!

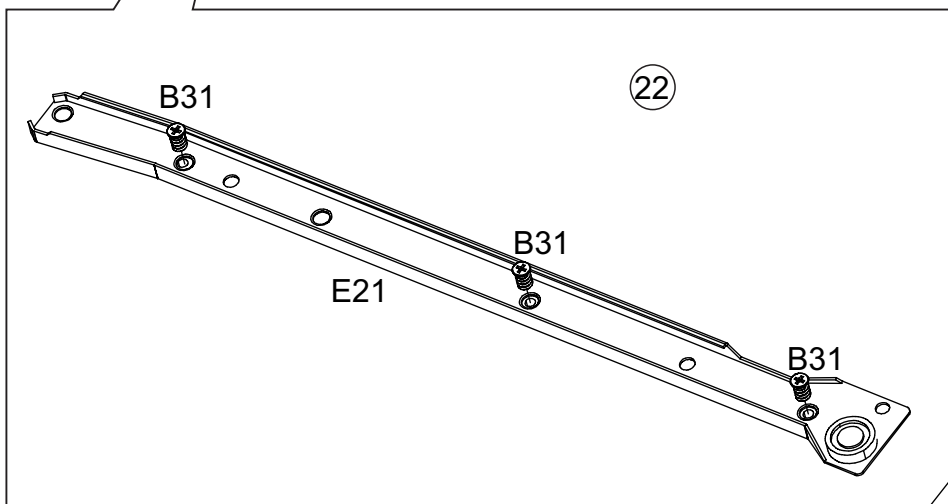




A9	 3,5x16	6
F10		3

5)



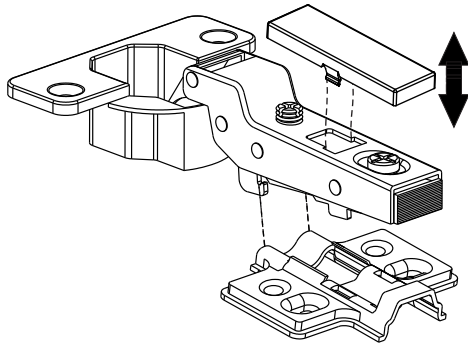
Glide wheels should be positioned towards the front and bottom of the division panel.



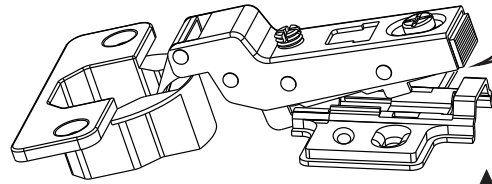
B31	 6,0x10	6
E21	 RIGHT Side	2

6)

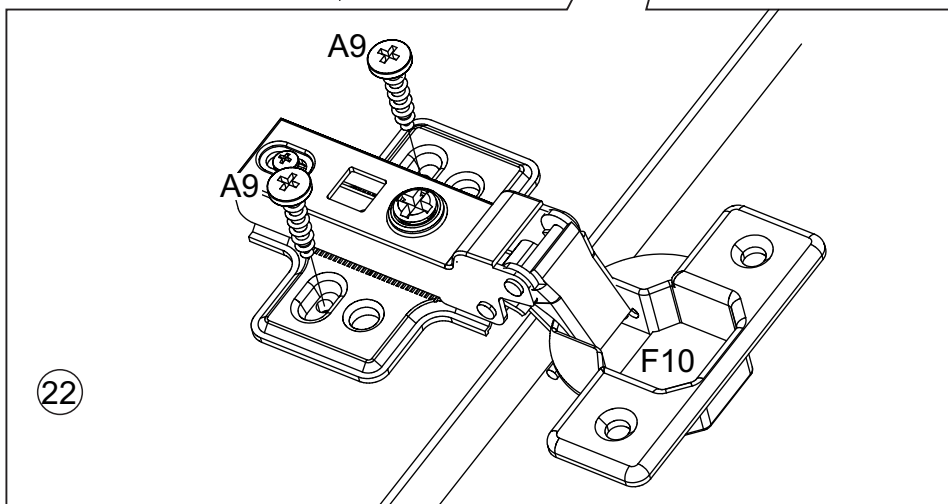
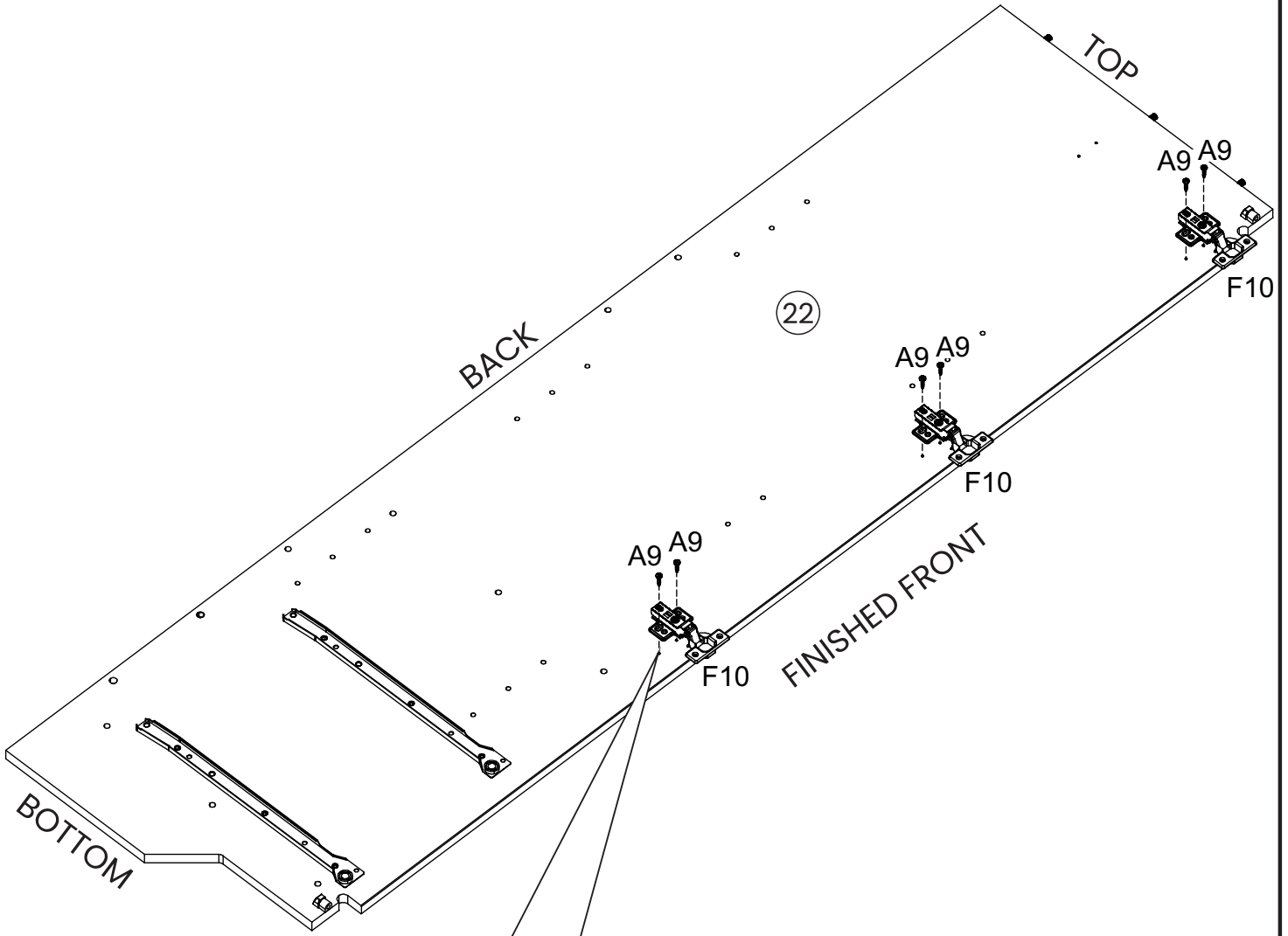
Attach hinge (F10) to hinge plate if it comes separated.
Push hinge against plate until it clicks.

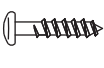



F10

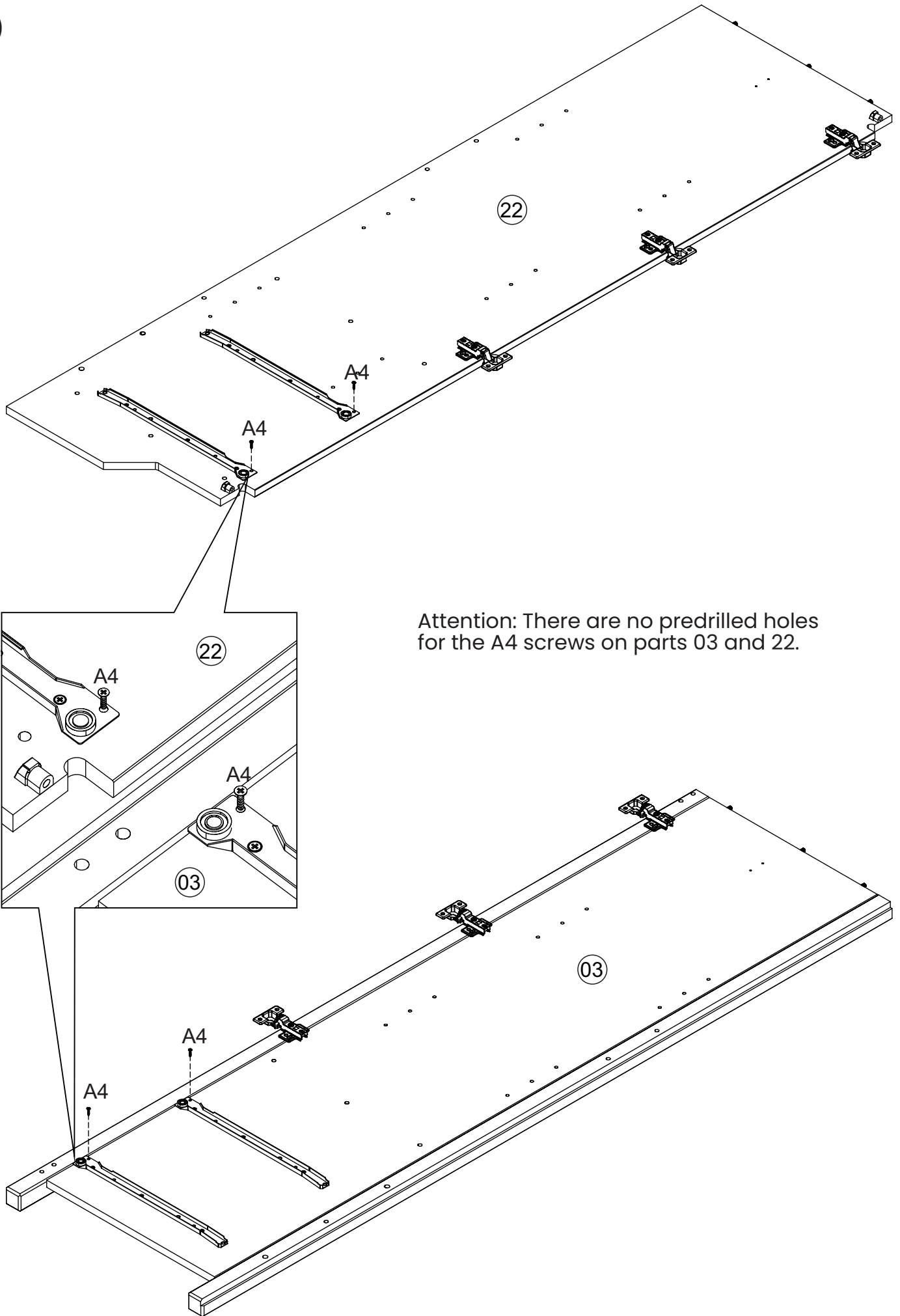


click!



A9	 3,5x16	6
F10		3

7)

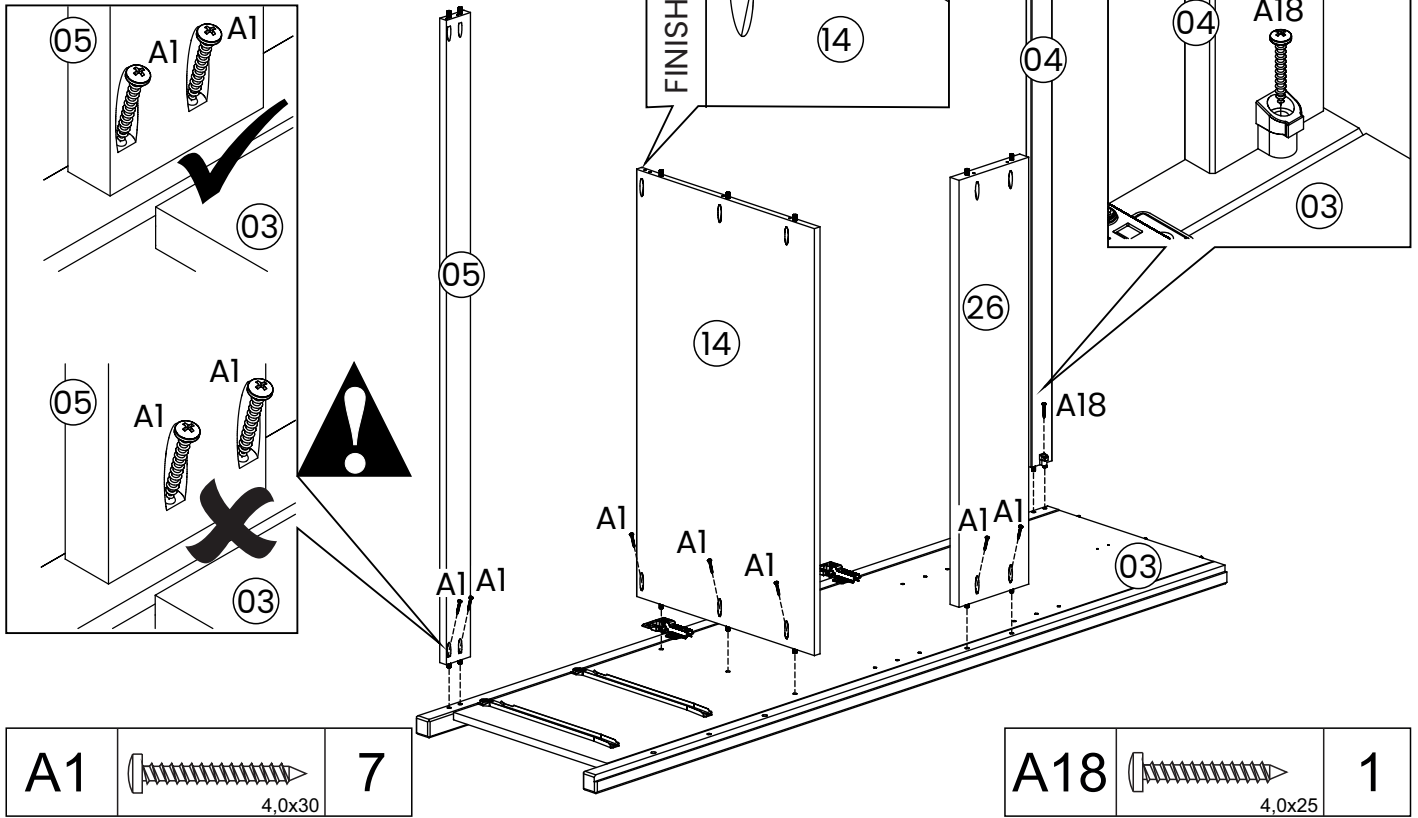


Attention: There are no predrilled holes for the A4 screws on parts 03 and 22.

A4		4
		3,5x14

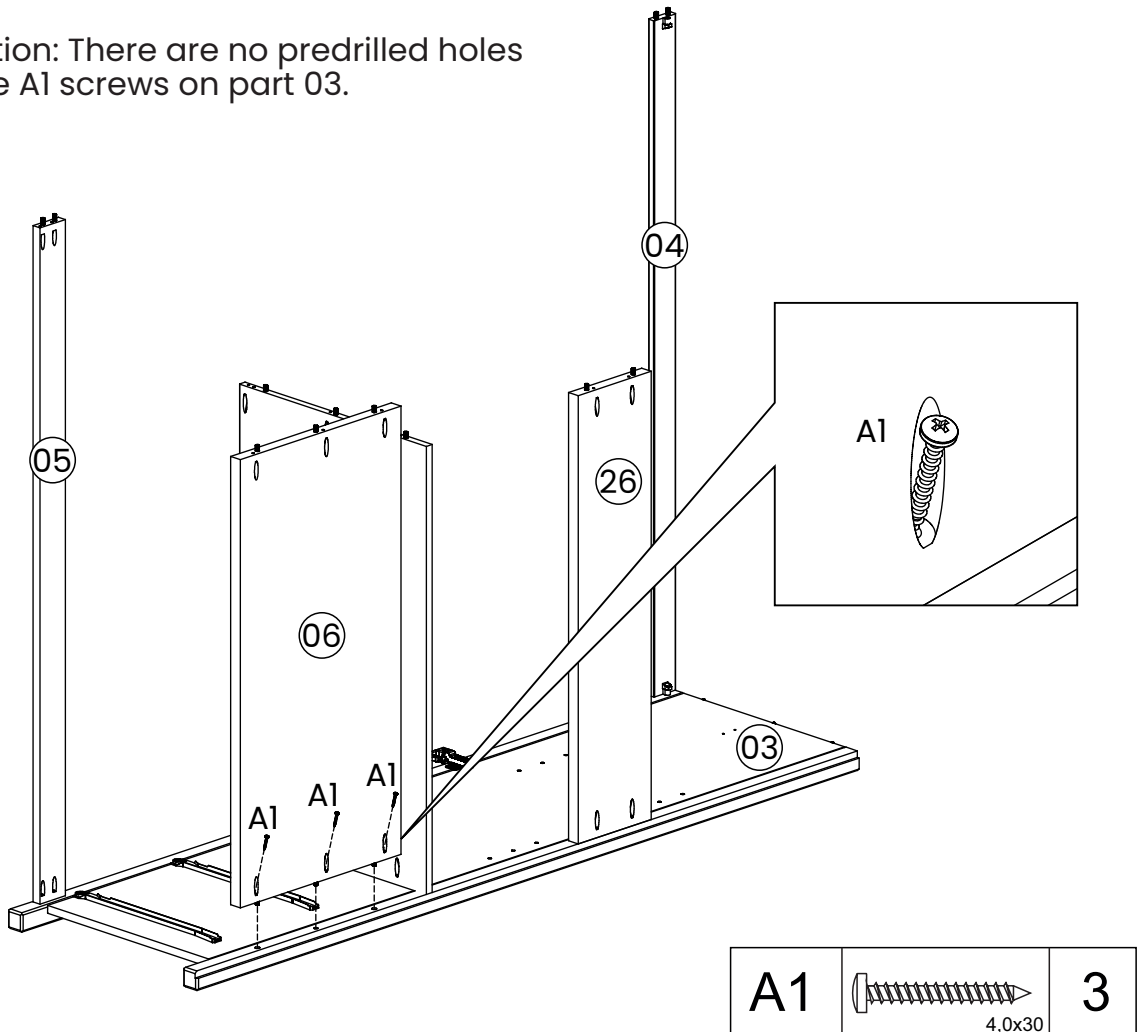
8)

Attention: There are no predrilled holes for the A1 and A18 screws on part 03.



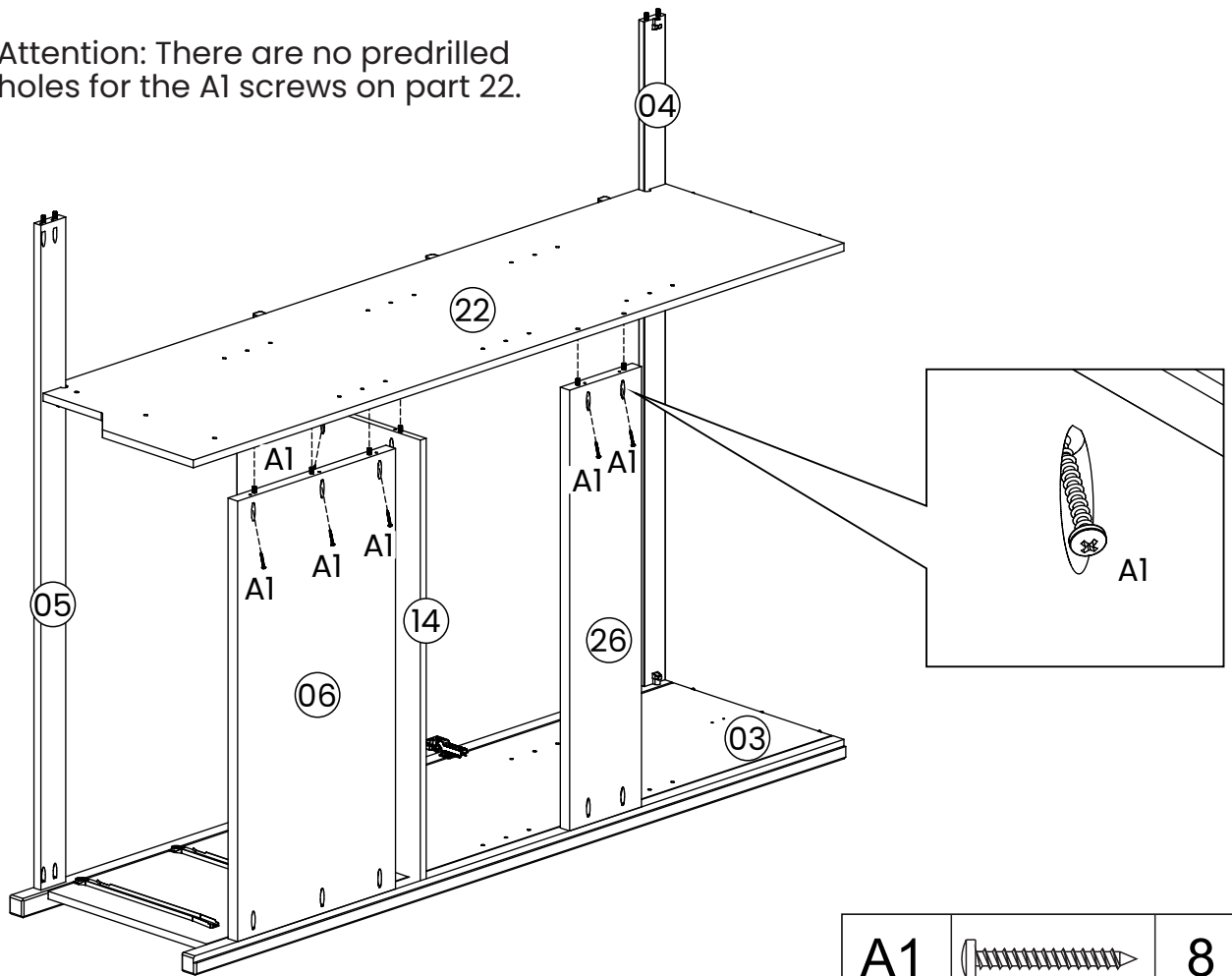
9)

Attention: There are no predrilled holes for the A1 screws on part 03.



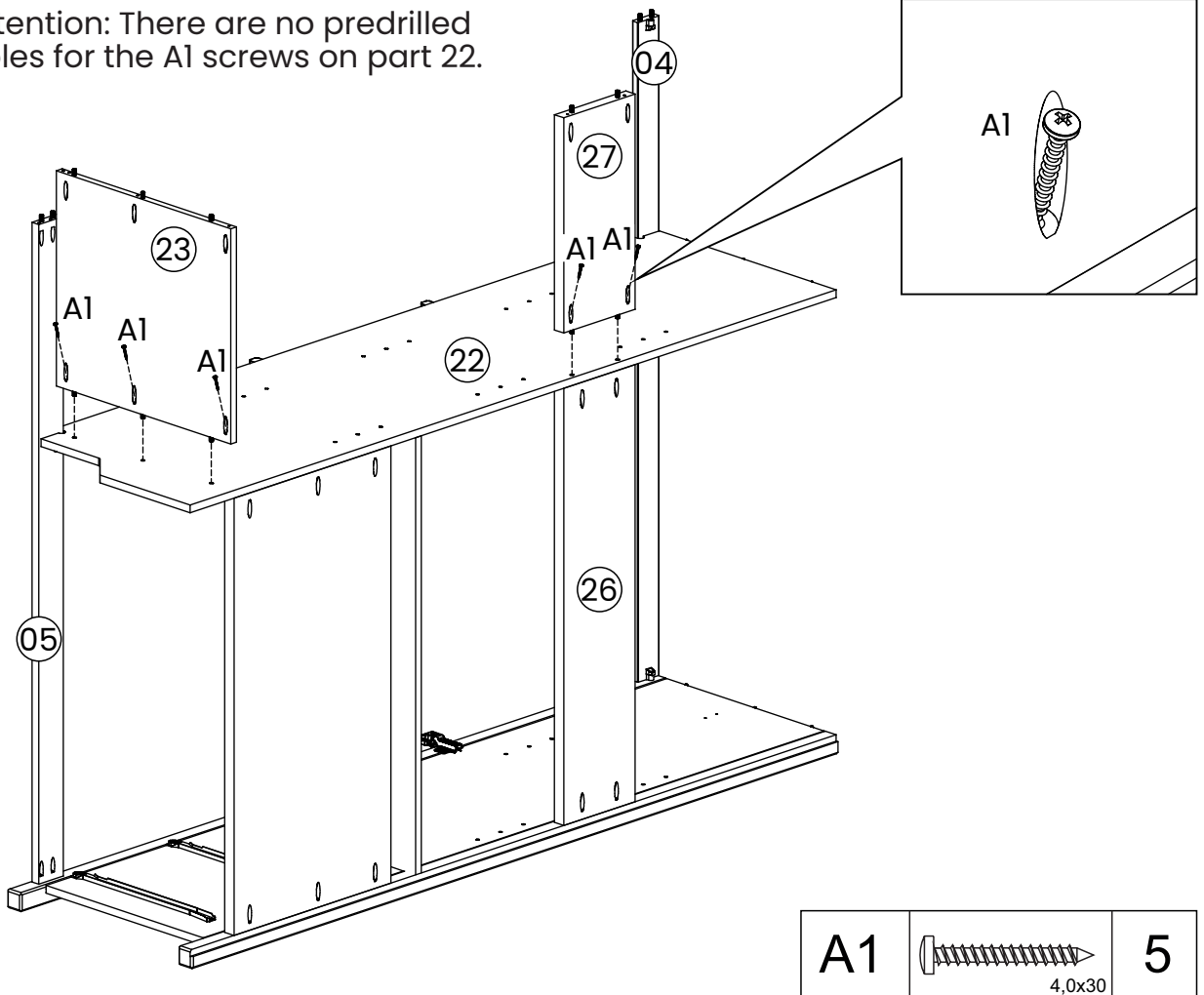
10)

Attention: There are no predrilled holes for the A1 screws on part 22.

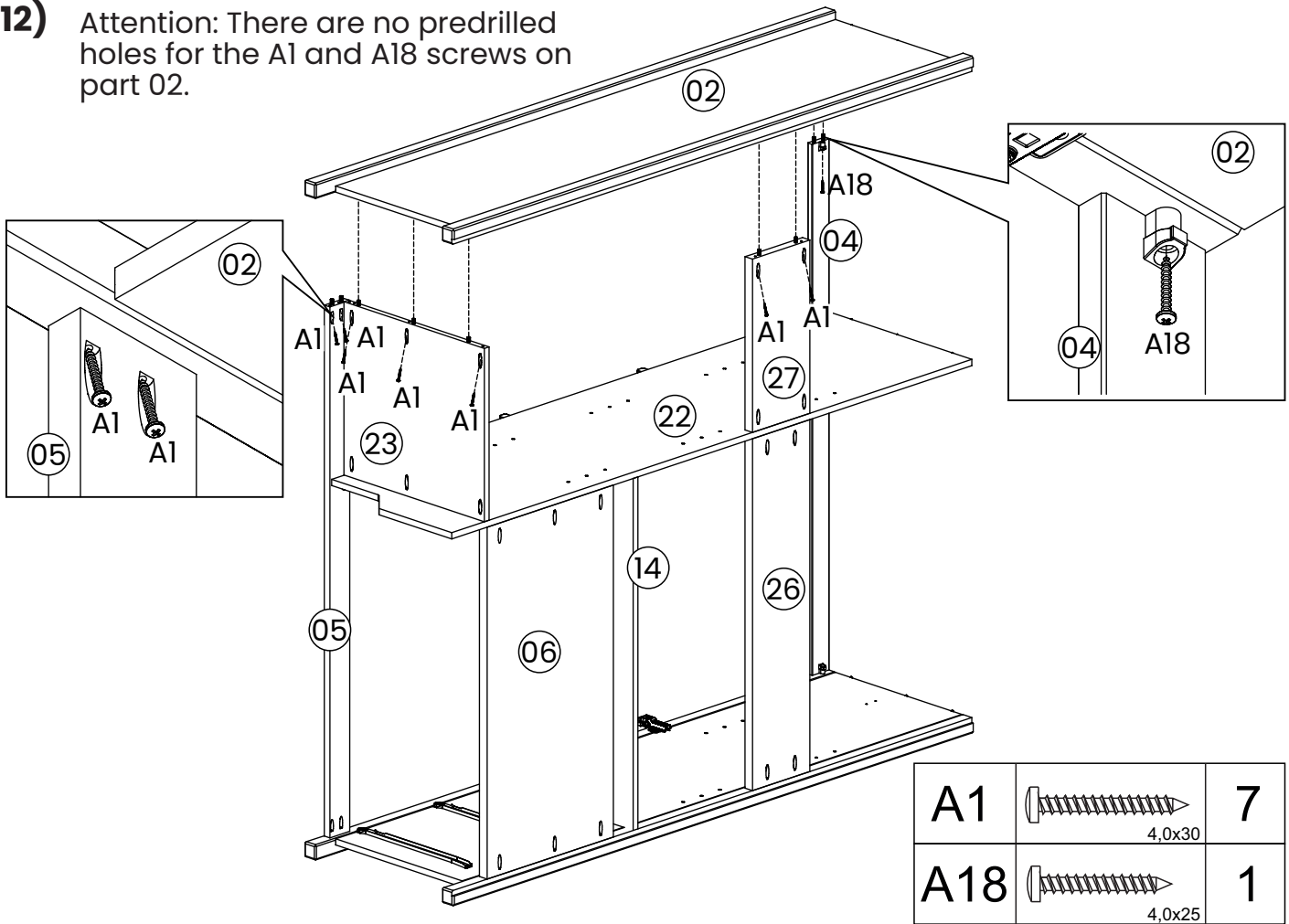


11)

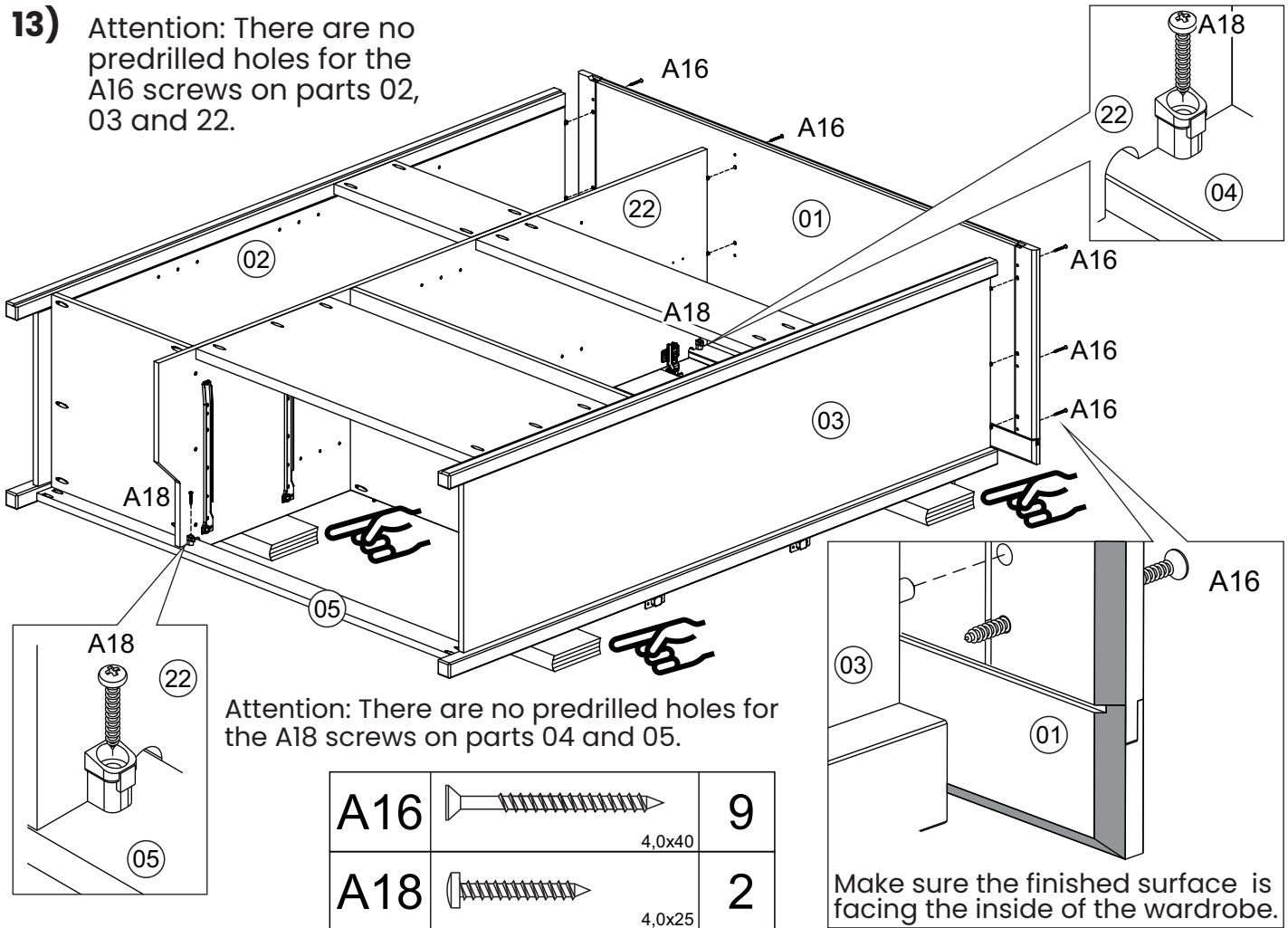
Attention: There are no predrilled holes for the A1 screws on part 22.



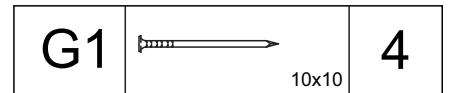
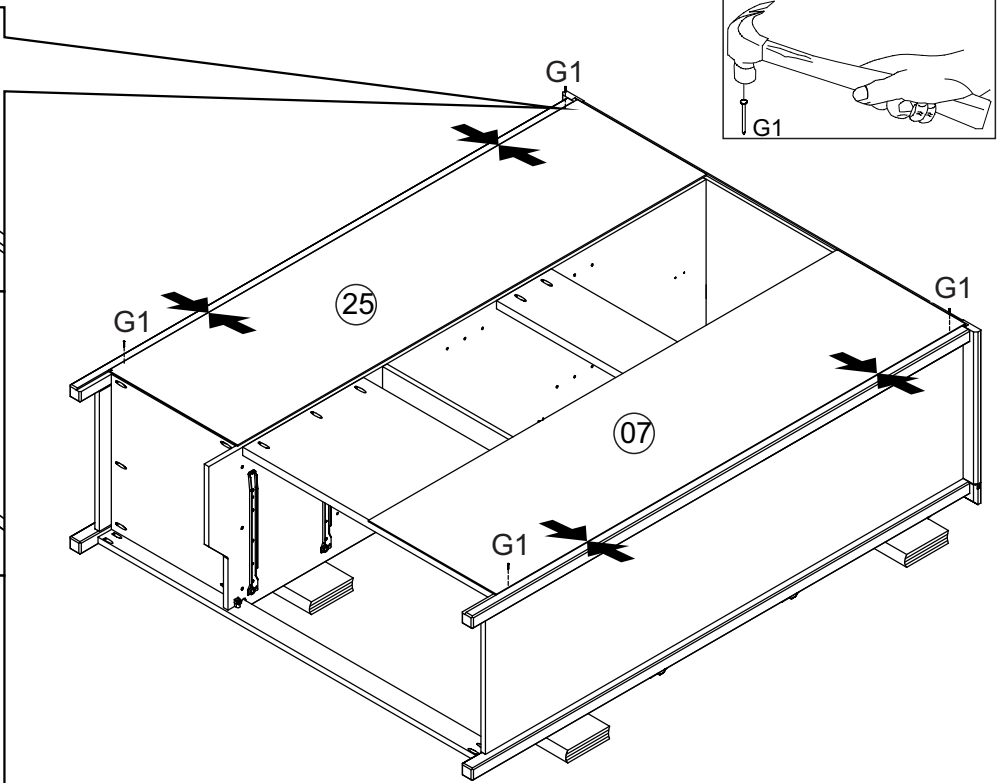
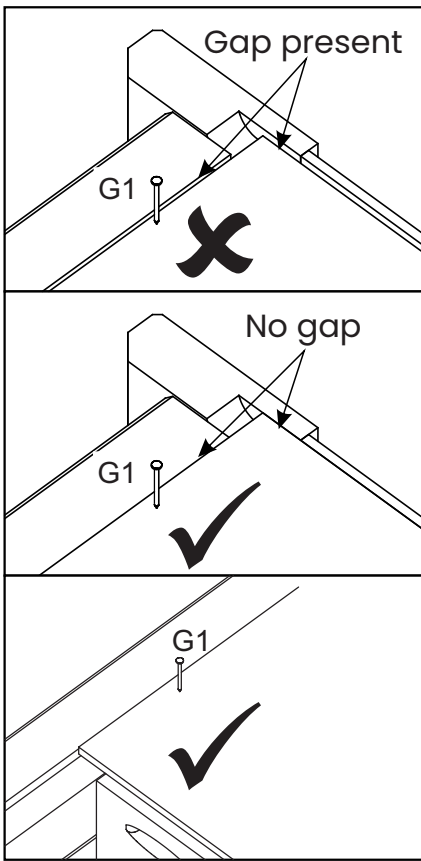
12) Attention: There are no predrilled holes for the A1 and A18 screws on part 02.



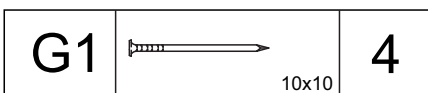
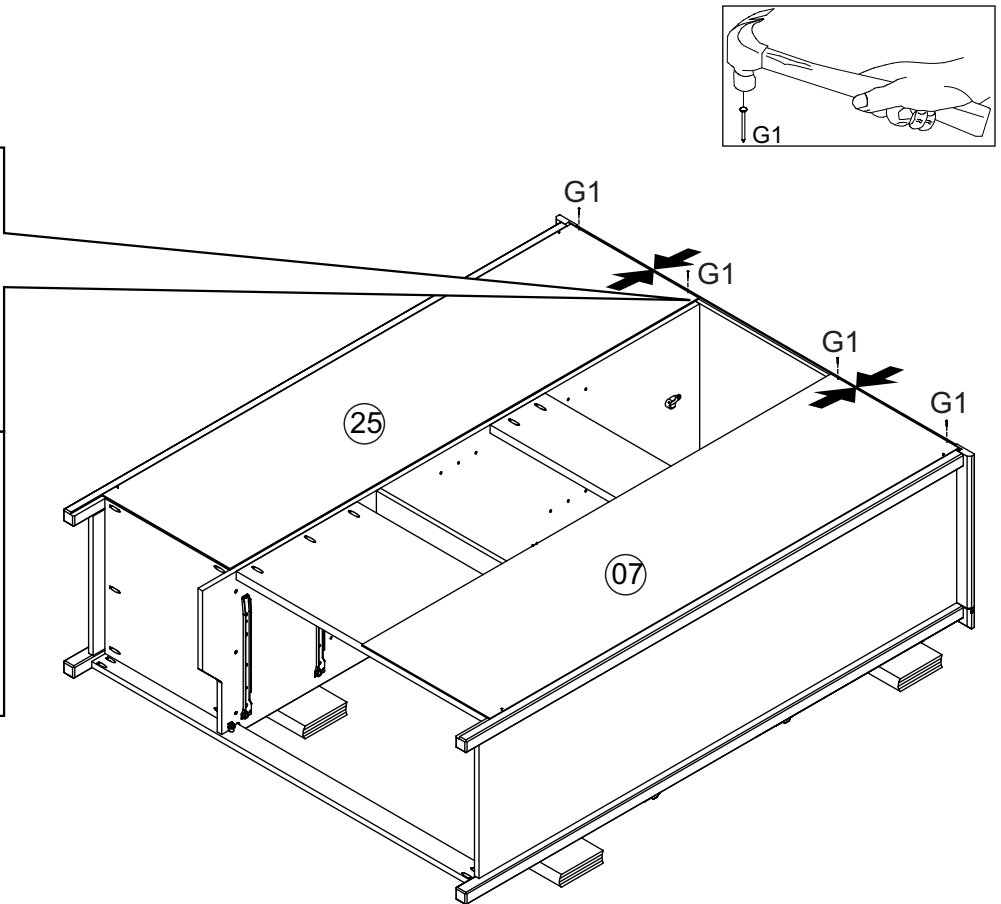
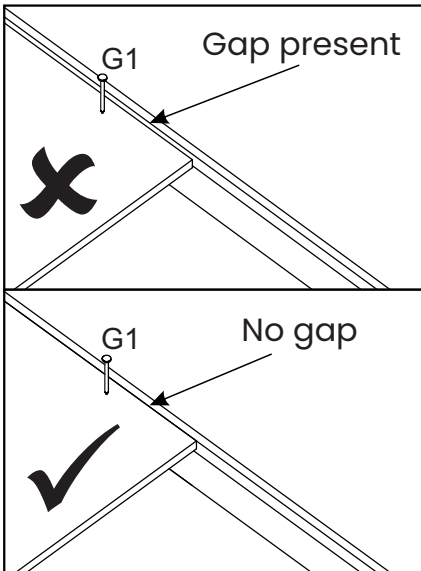
13) Attention: There are no predrilled holes for the A16 screws on parts 02, 03 and 22.



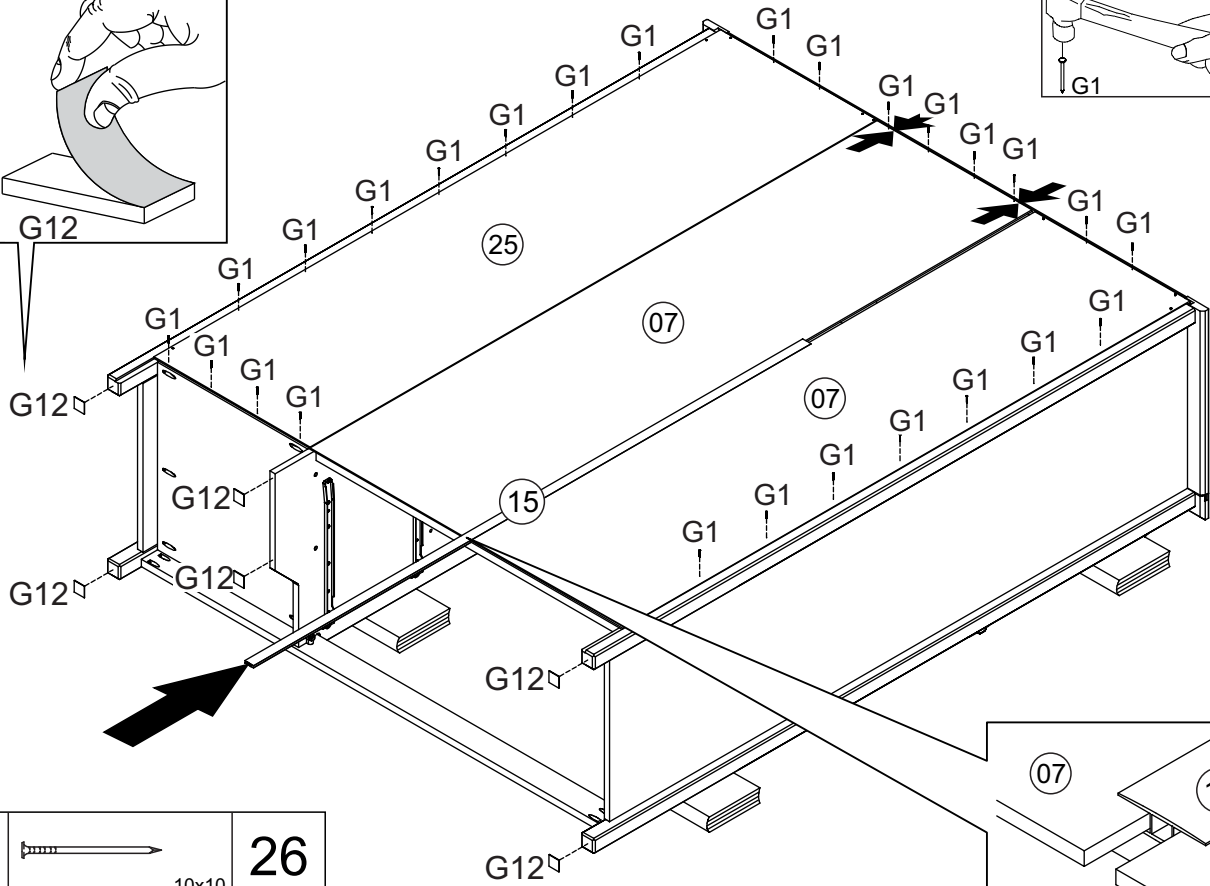
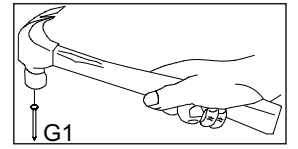
14) Make sure back panels are perfectly aligned with side panels and top and there are no gaps.


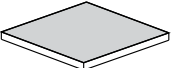


15)

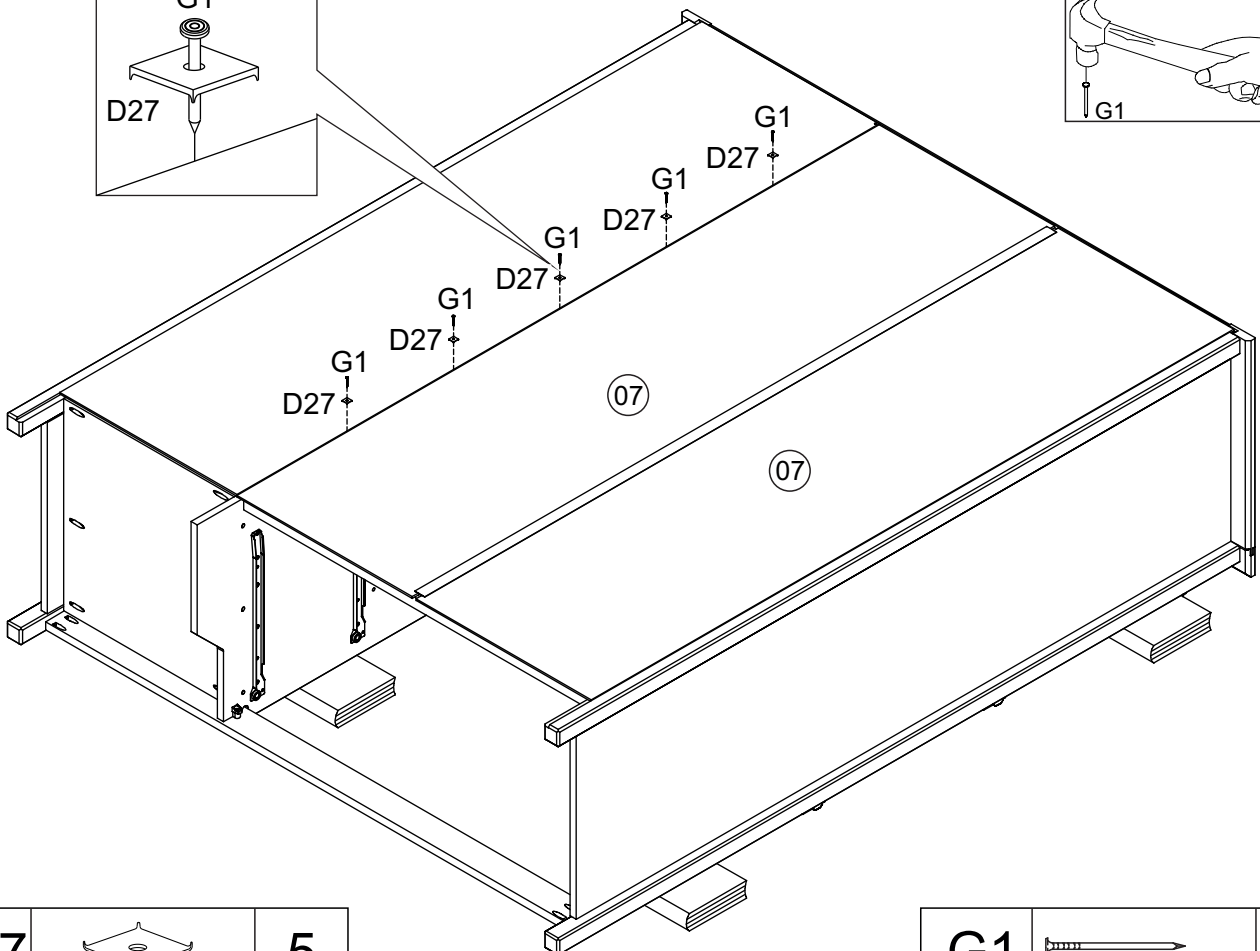
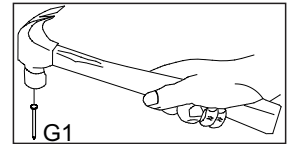
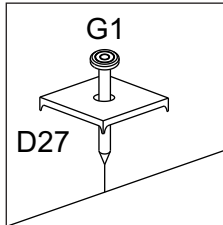



16)




G1		26
G12		6

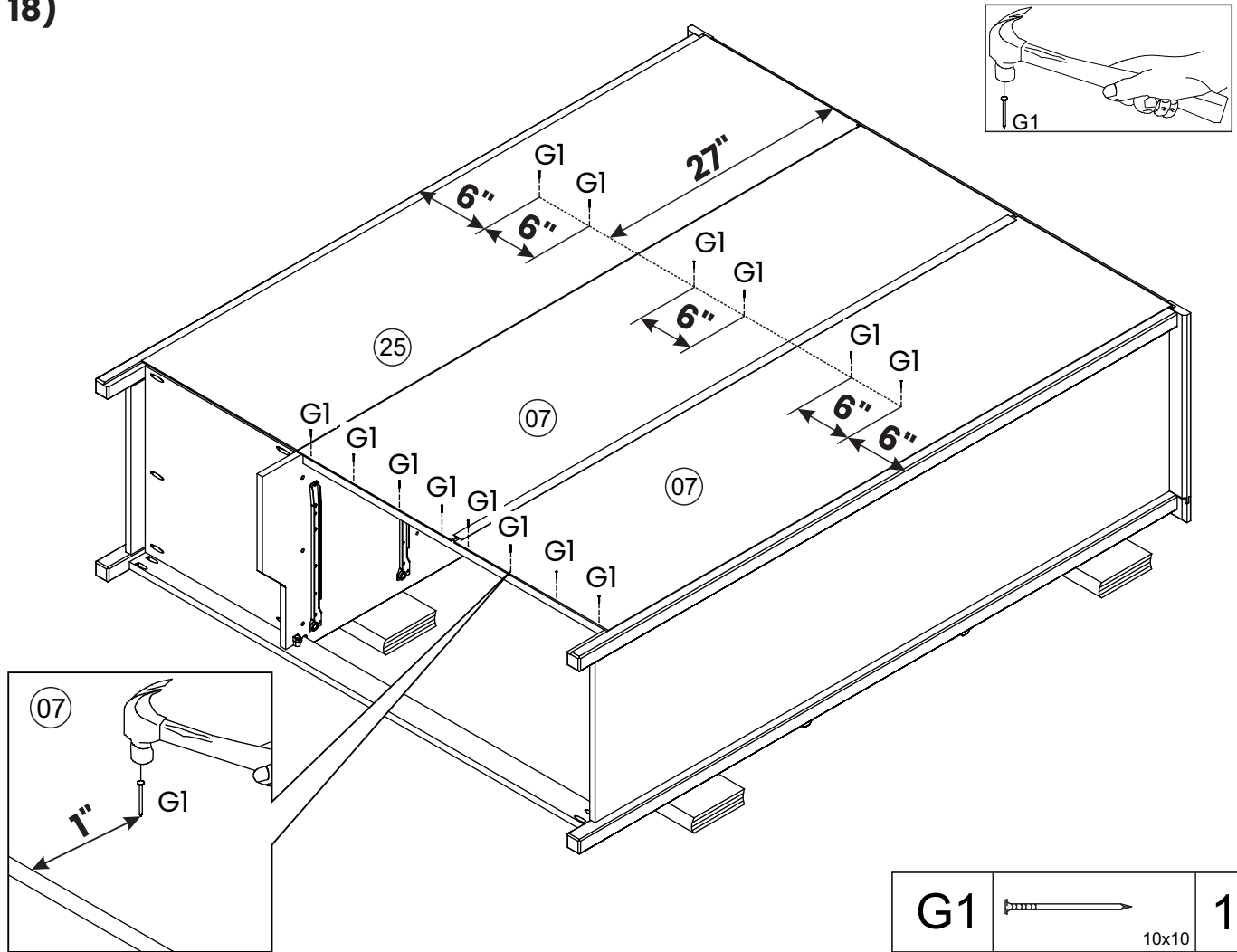
17)



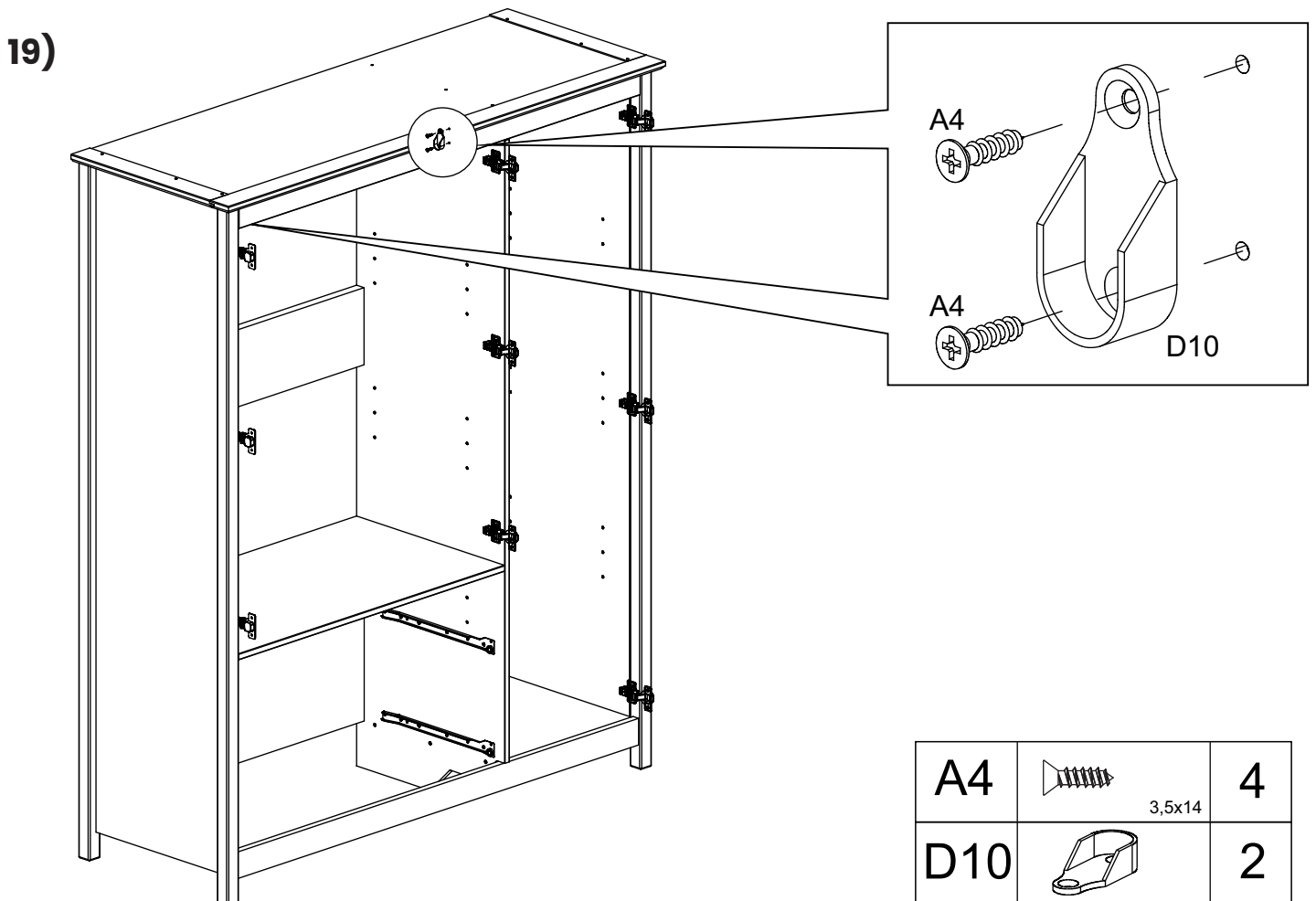
D27		5
-----	---	---

G1		5
----	---	---

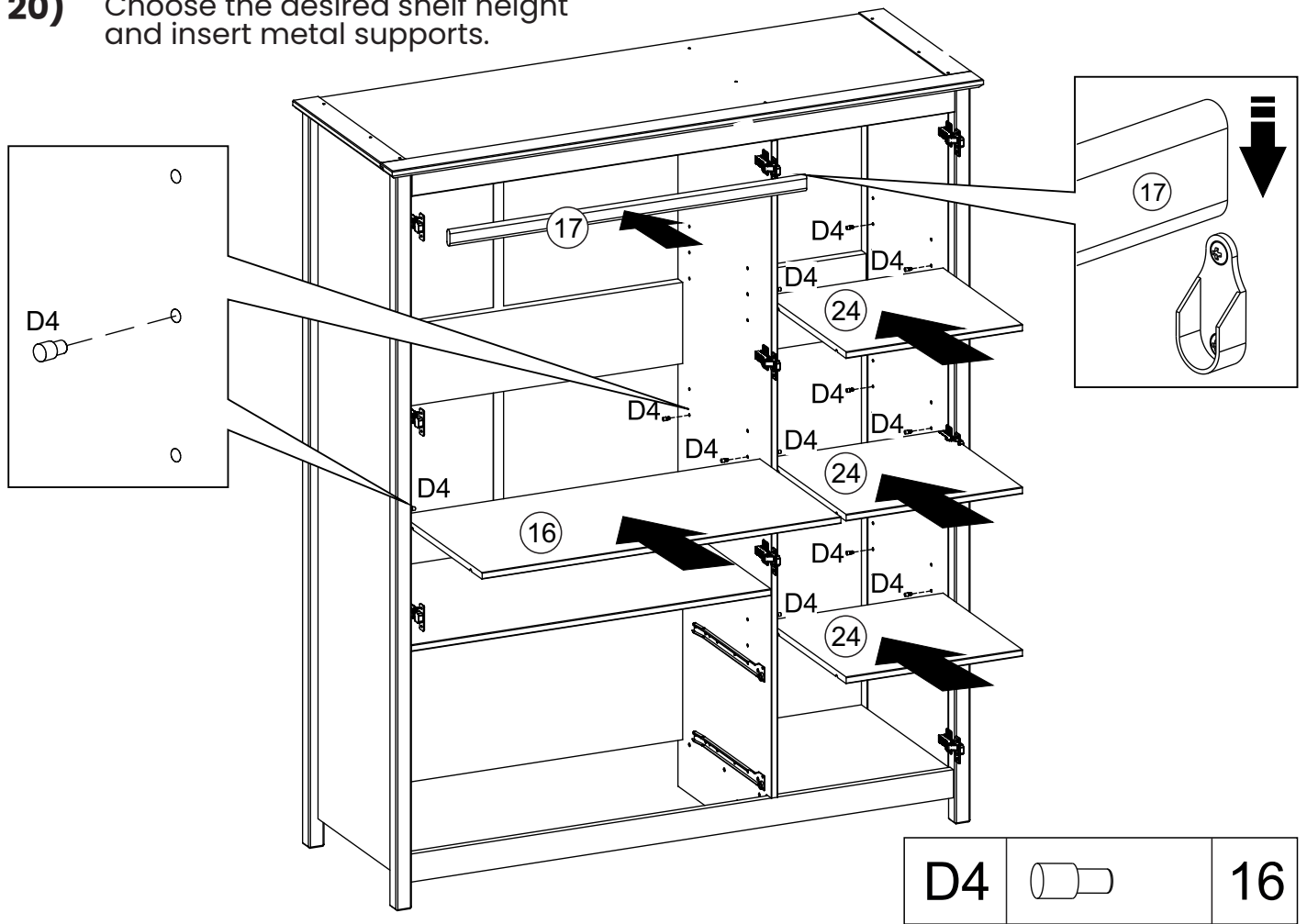
18)



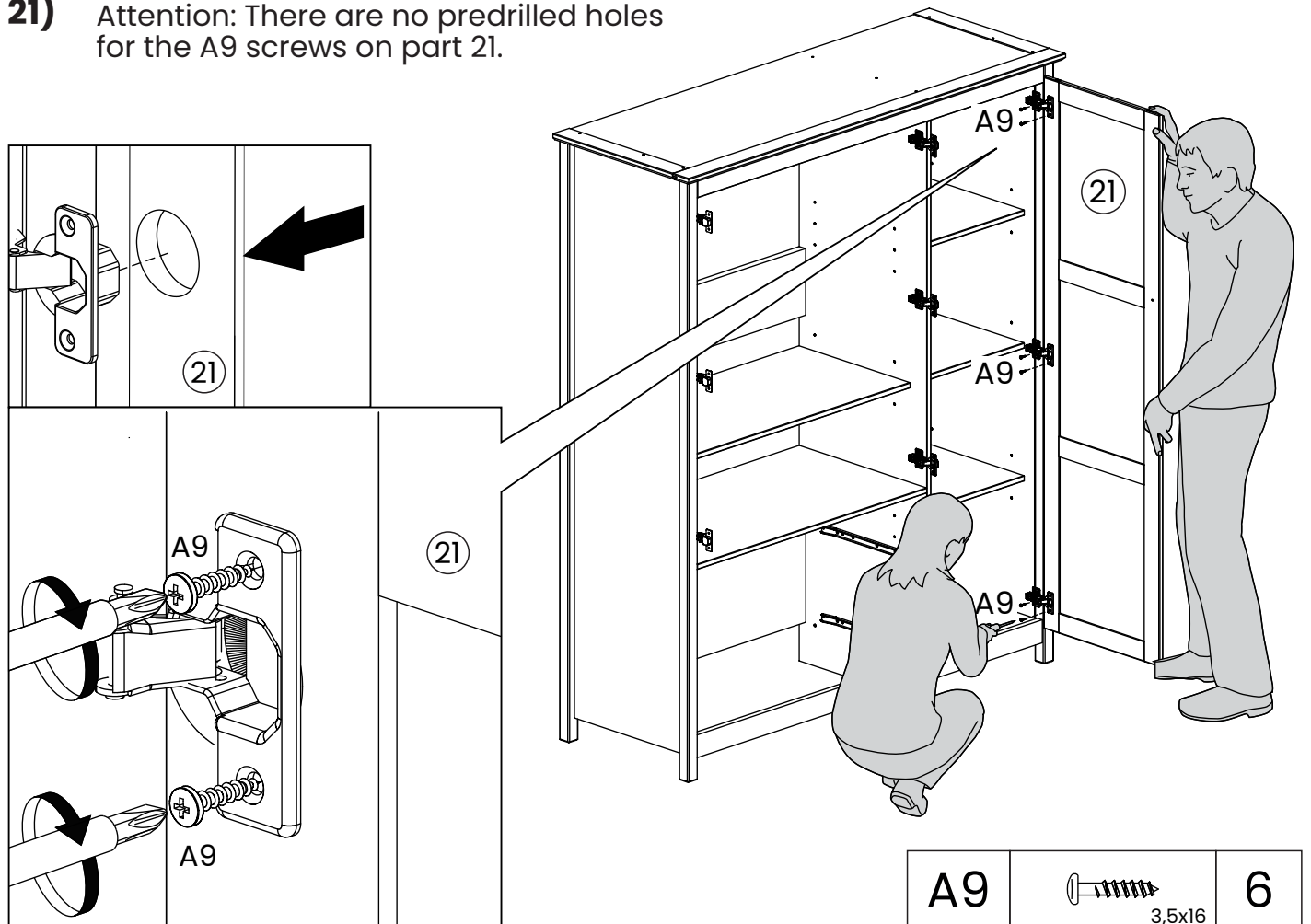
19)



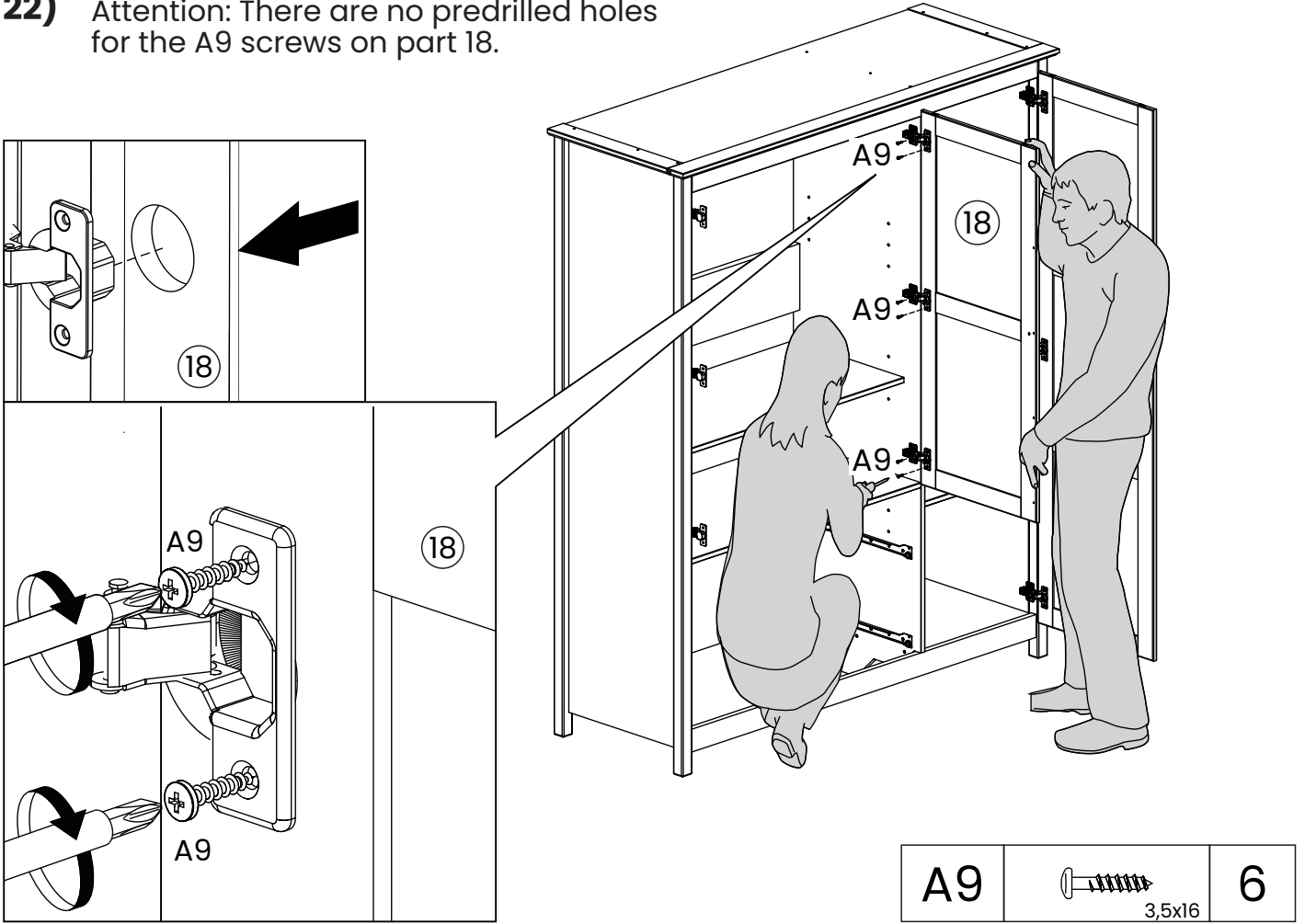
20) Choose the desired shelf height and insert metal supports.



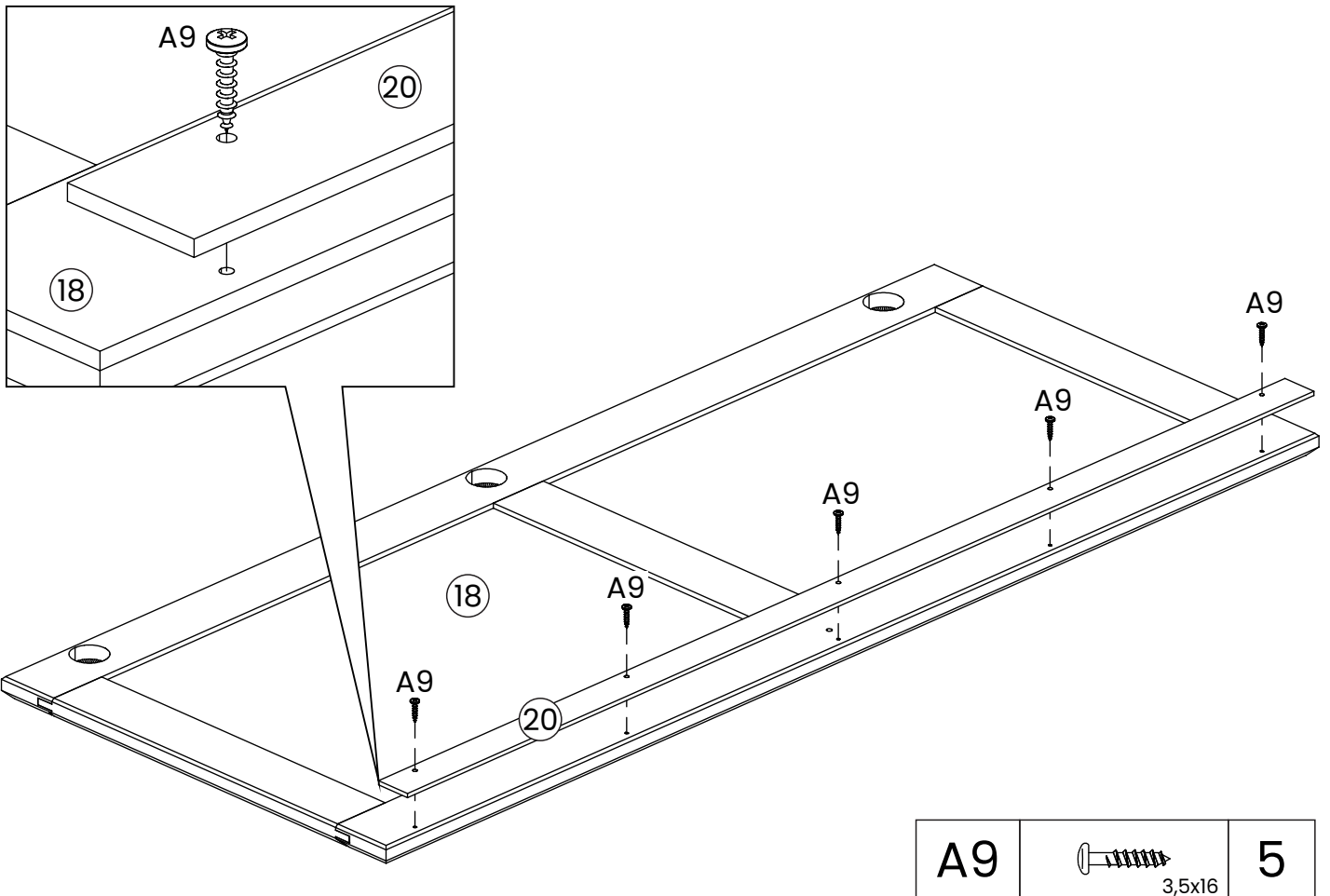
21) Attention: There are no predrilled holes for the A9 screws on part 21.



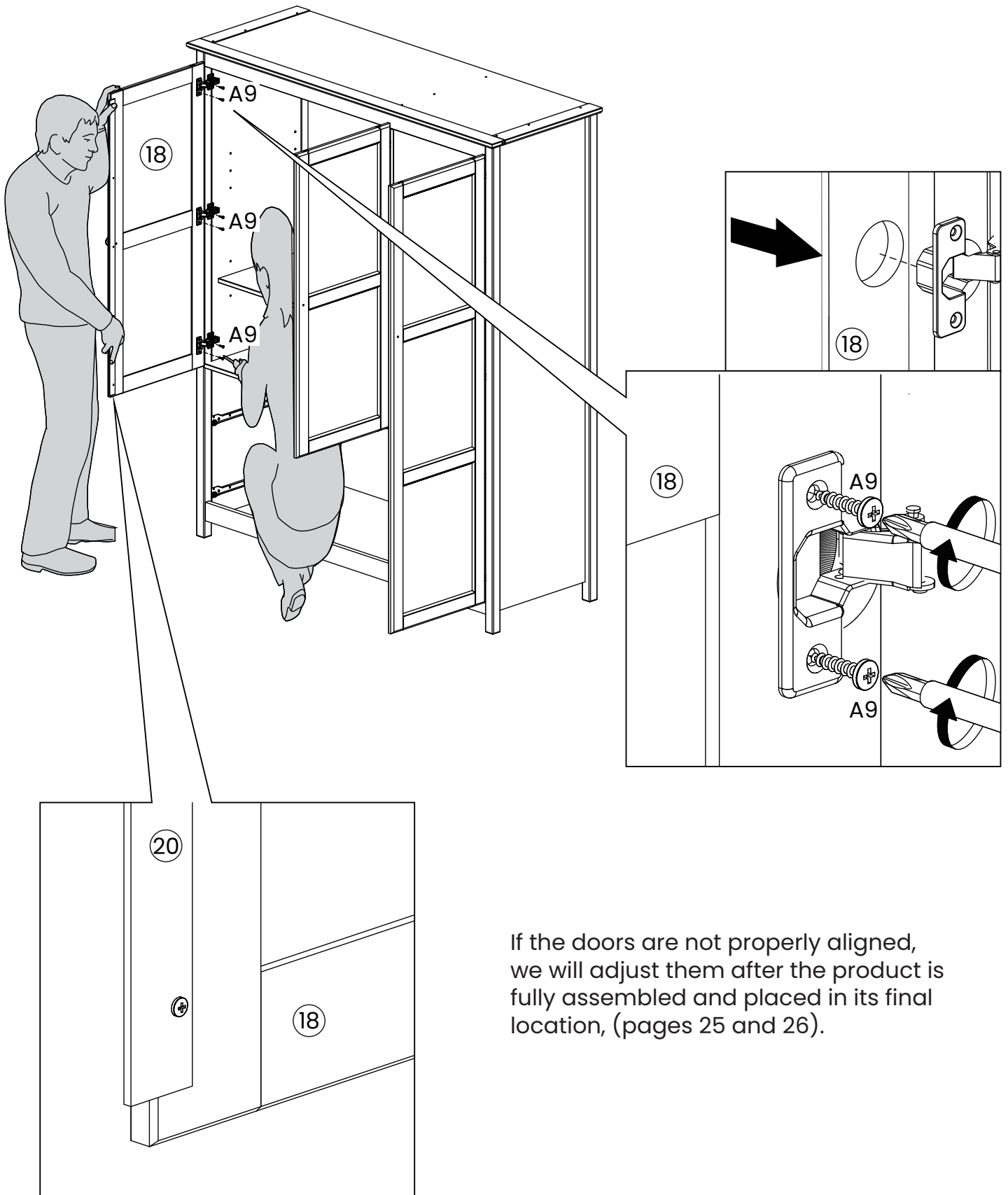
22) Attention: There are no predrilled holes for the A9 screws on part 18.



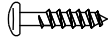
23)



24) Attention: There are no predrilled holes for the A9 screws on part 18.



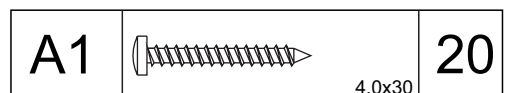
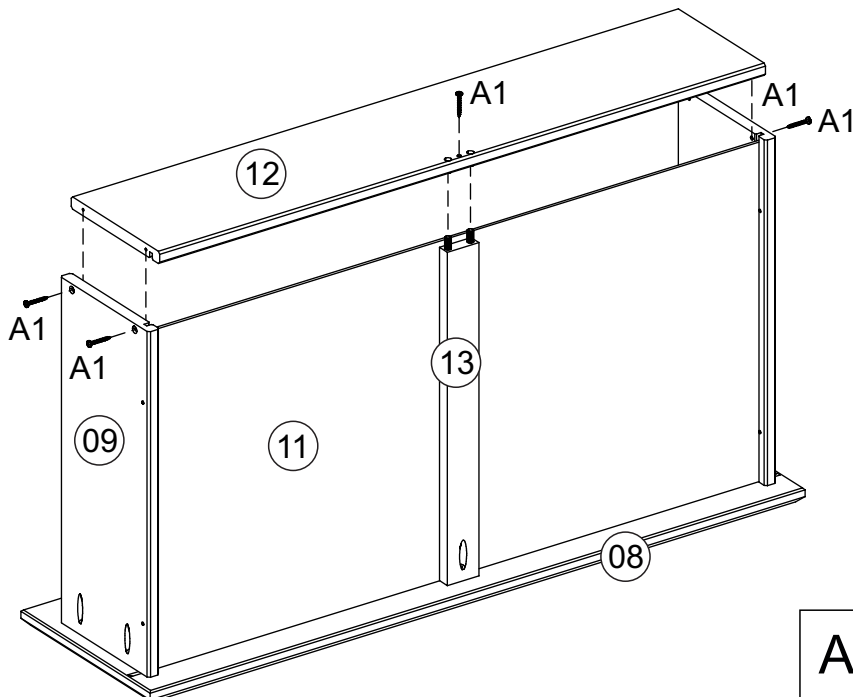
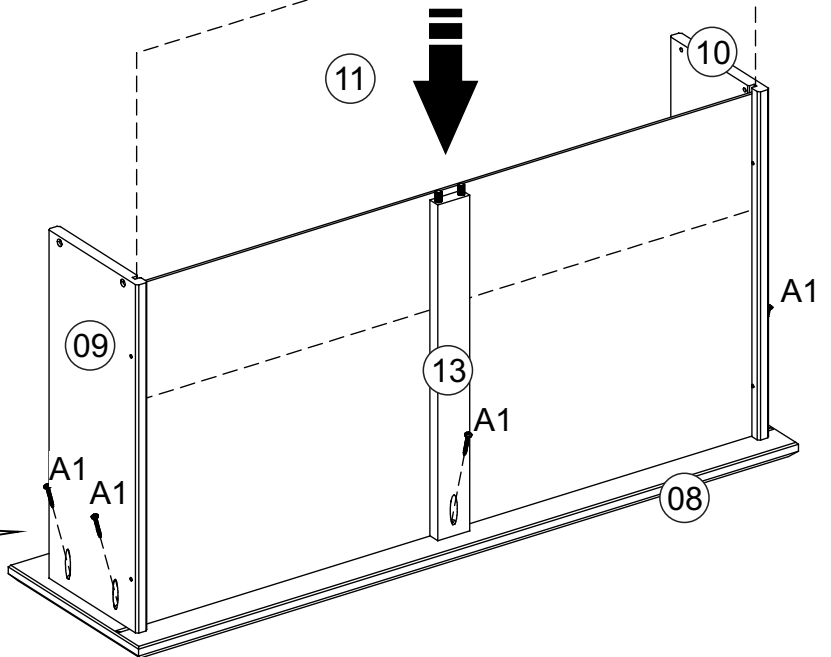
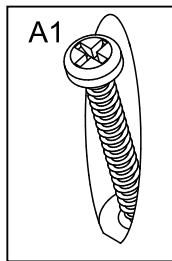
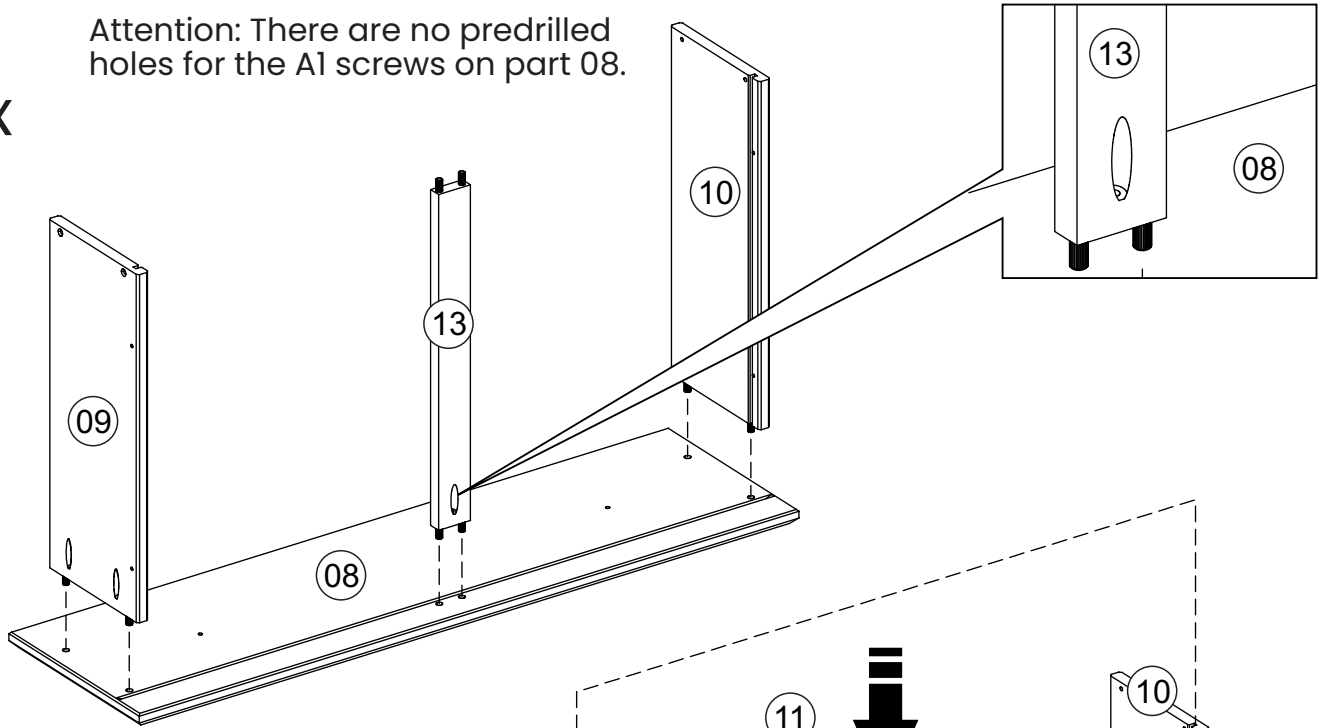
If the doors are not properly aligned, we will adjust them after the product is fully assembled and placed in its final location, (pages 25 and 26).

A9	 3,5x16	6
----	---	---

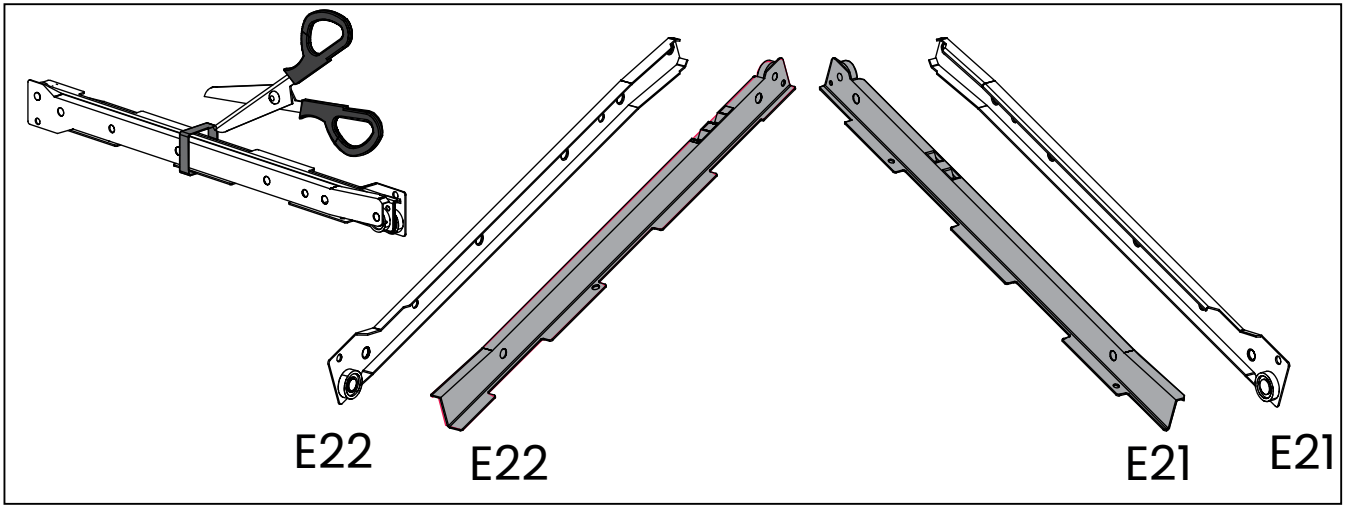
25)

2x

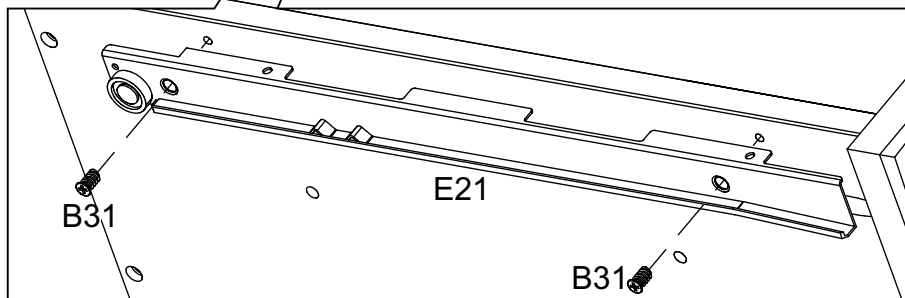
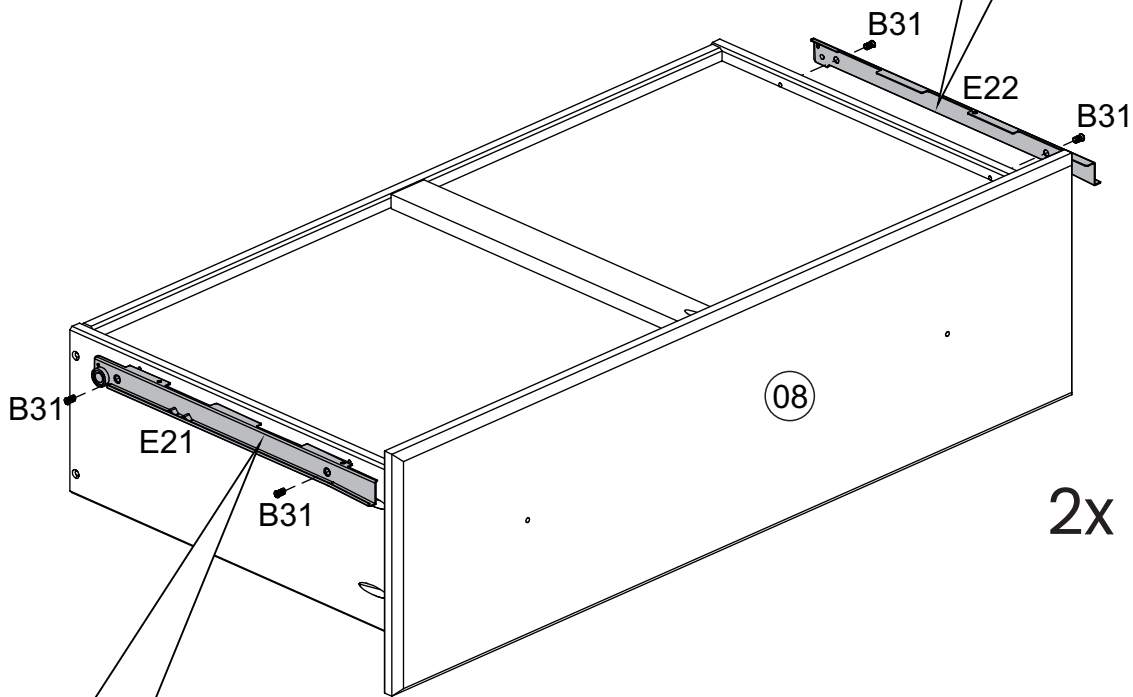
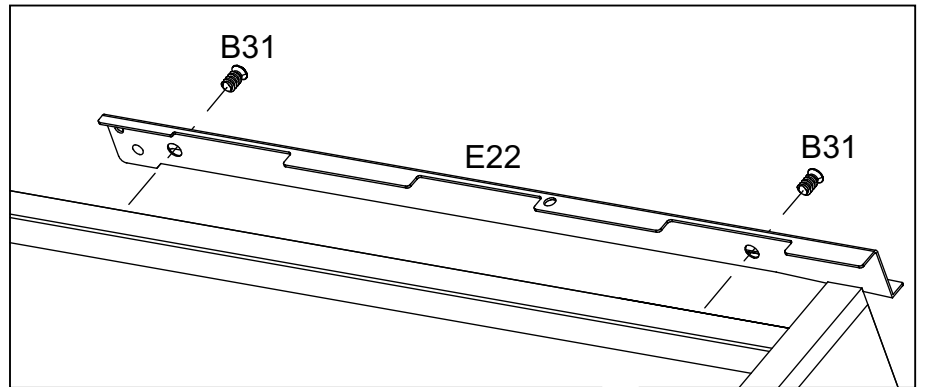
Attention: There are no predrilled holes for the A1 screws on part 08.

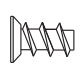




26)

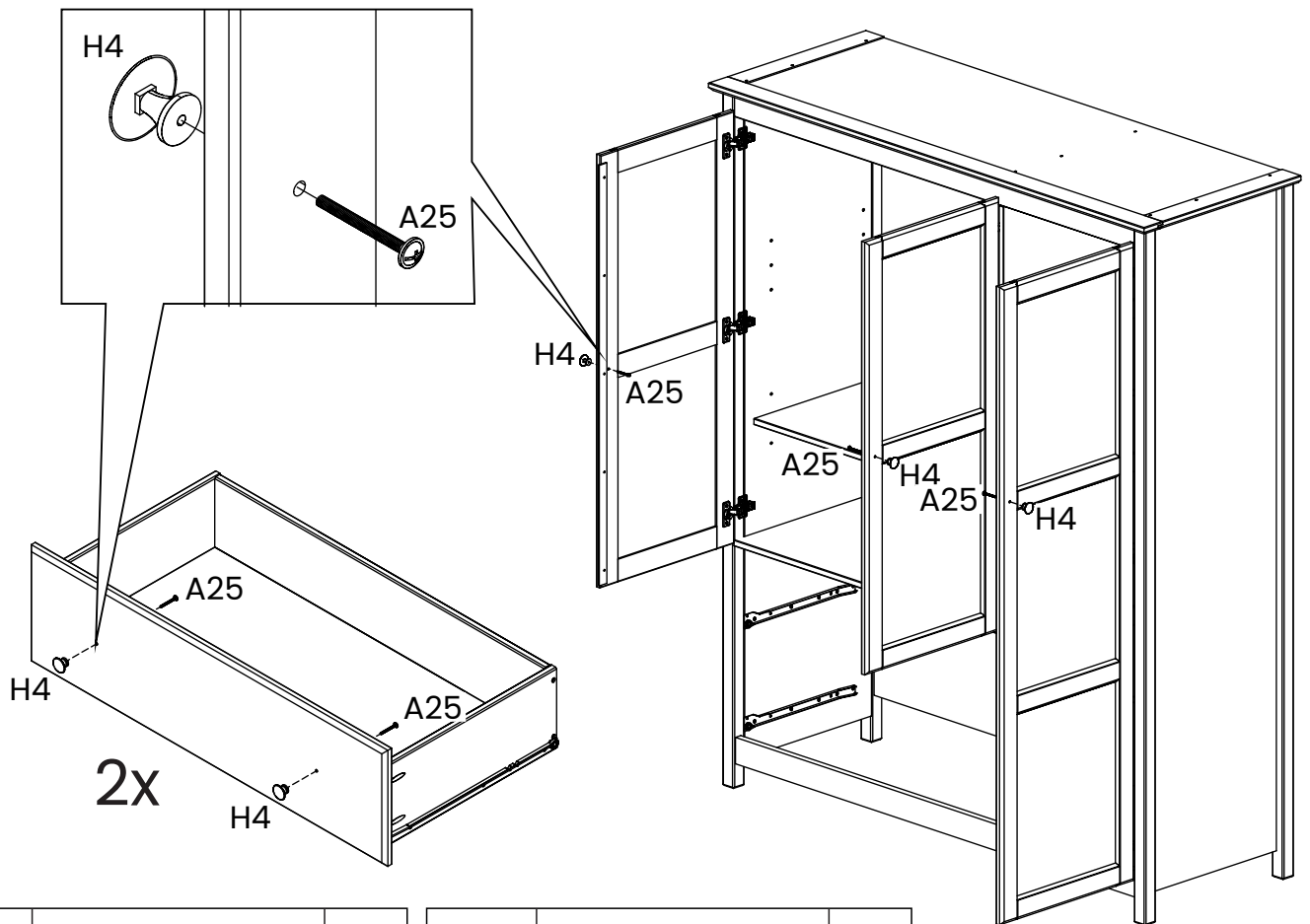


Flip the assembled drawer upside down to install glides.



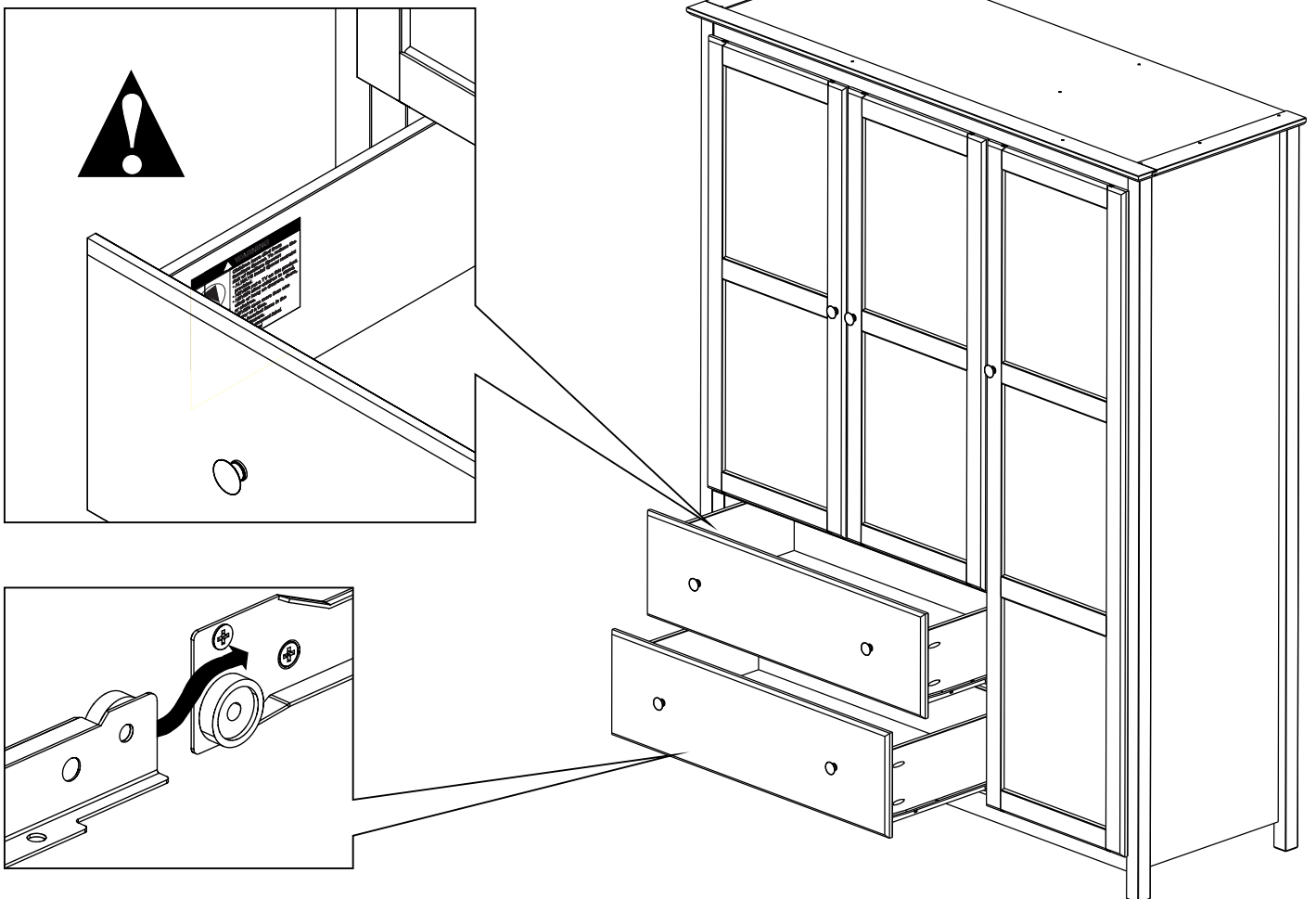
B31	 6,0x10	8	E21	 Drawer RIGHT	2	E22	 Drawer LEFT	2
------------	---	----------	------------	---	----------	------------	--	----------

27)



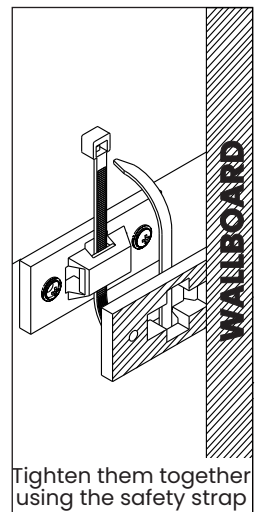
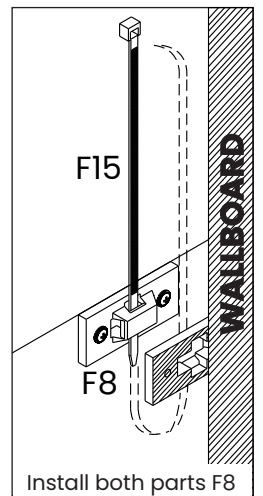
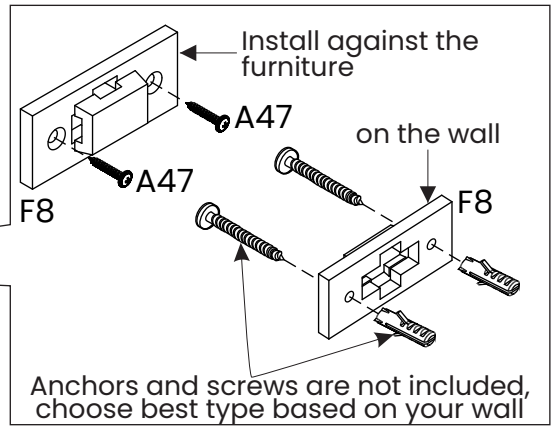
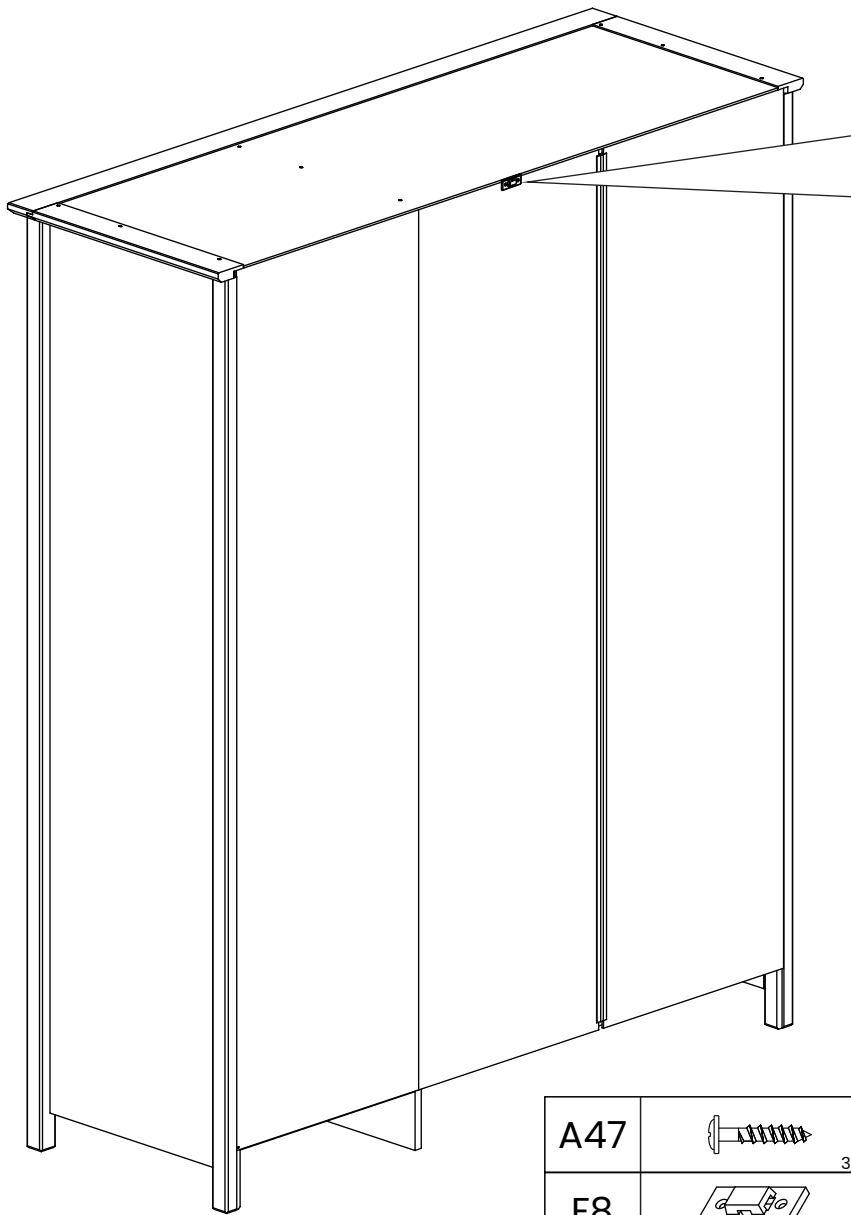
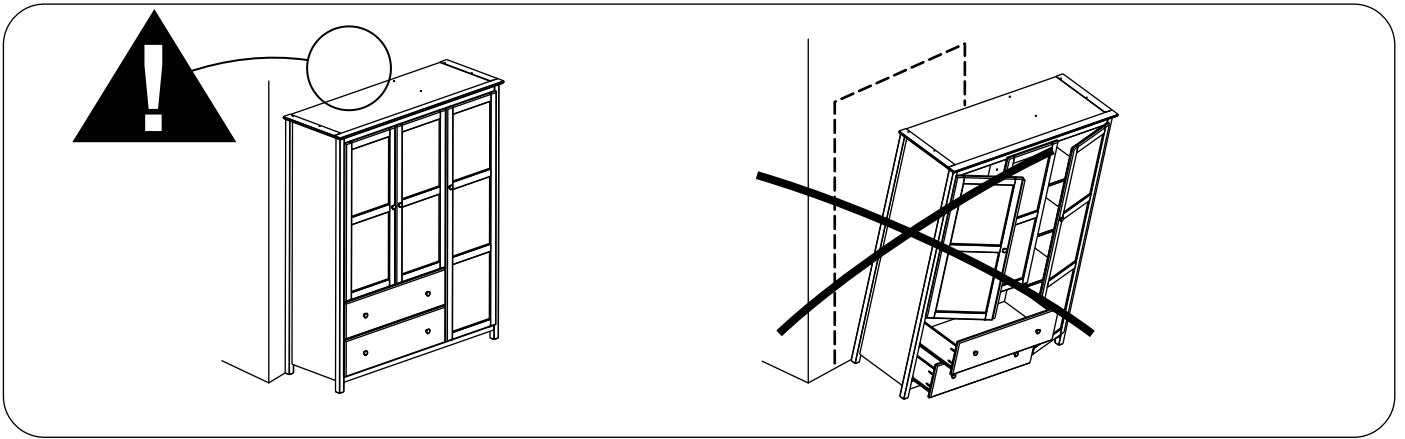
A25		M4x25	7	H4		7
-----	---	-------	---	----	---	---

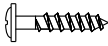
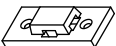

Place the labeled drawer in the top position



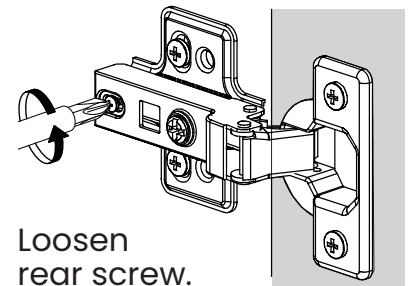
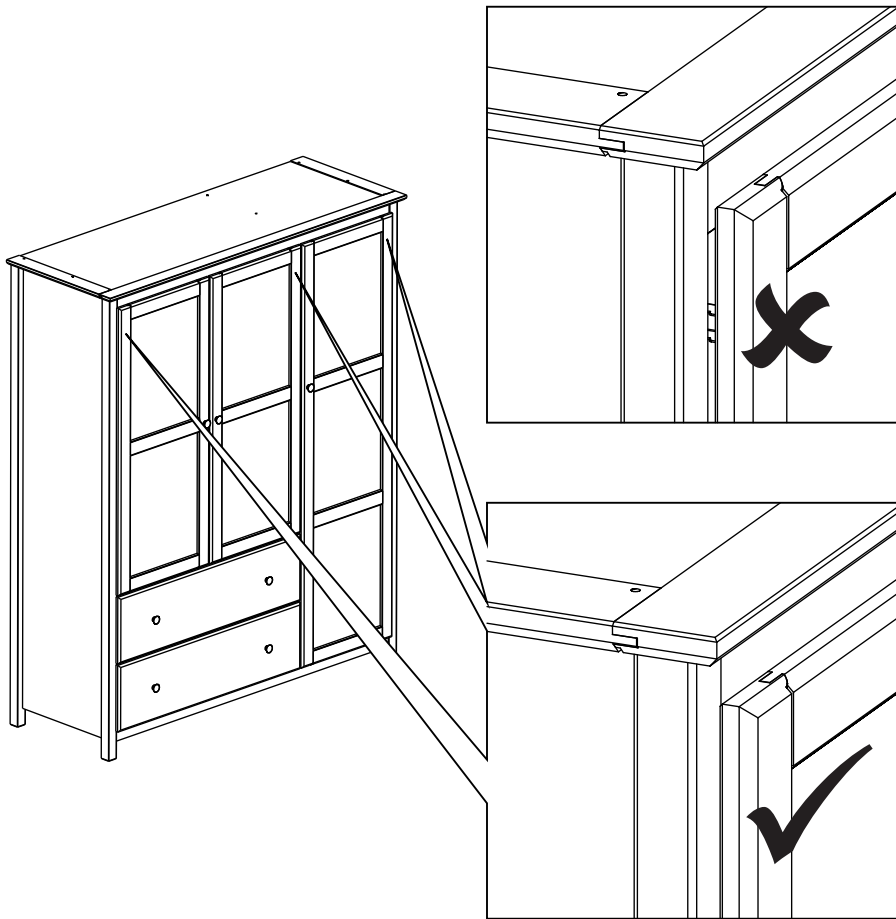
28)

ANTI-TIPPING RESTRAINT KIT

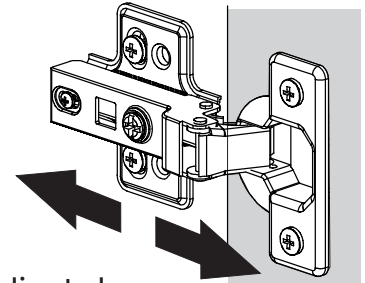


A47		2
F8		2
F15		1

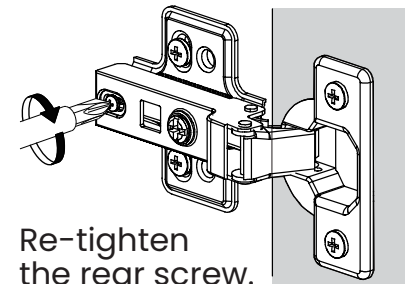
Removing the Gap Between the Door and the Frame



Loosen rear screw.

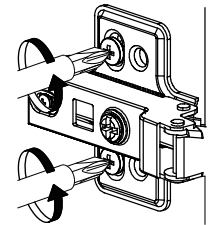
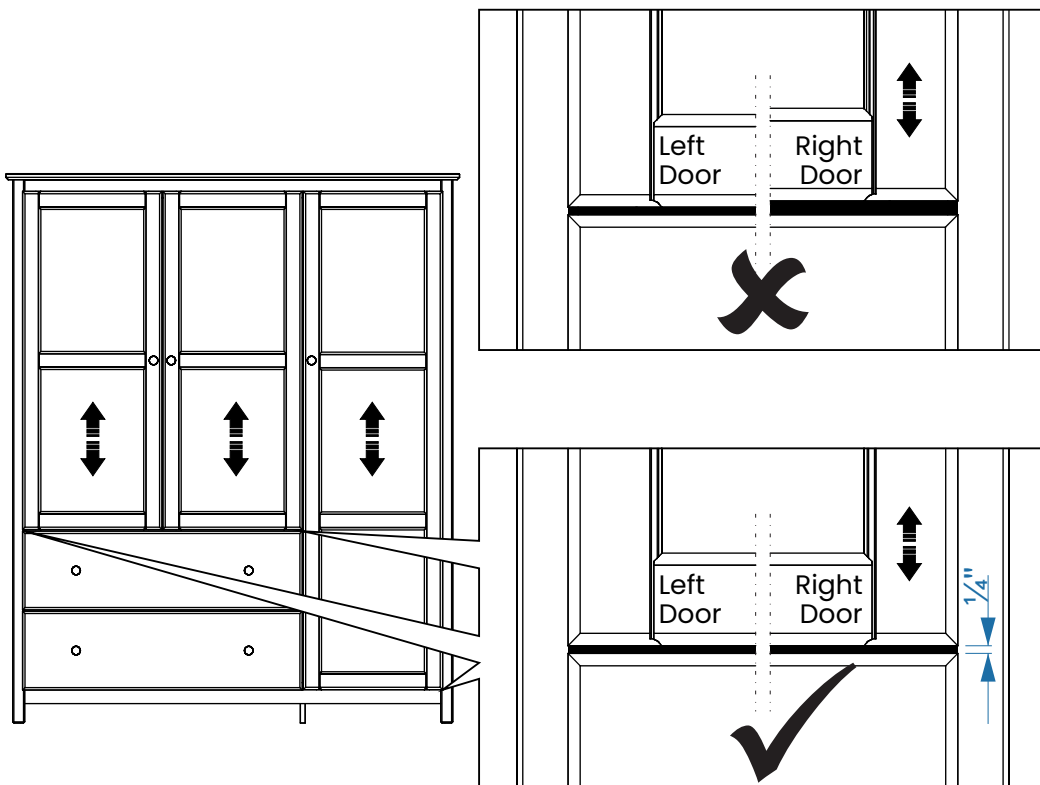


Adjust door forwards or backwards.

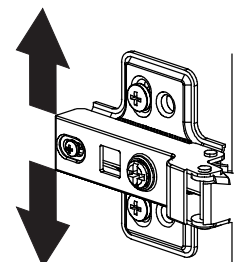


Re-tighten the rear screw.

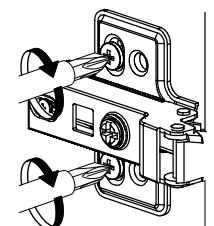
Adjusting the Space Between the Door and the Drawer



Loosen top and bottom screw on all hinges.

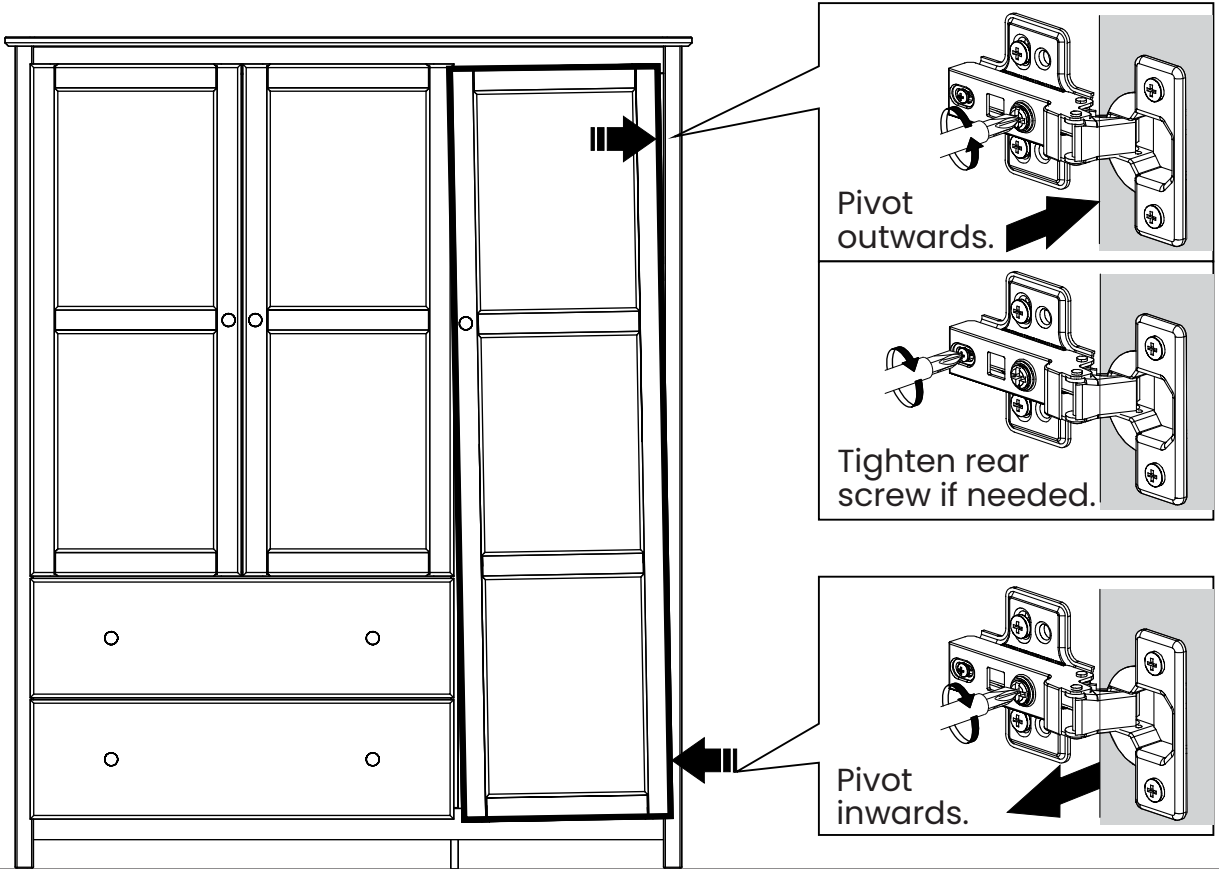


Adjust the door height.



Re-tighten the screws on all hinges.

Aligning Crooked Doors



Aligning Crooked Doors

