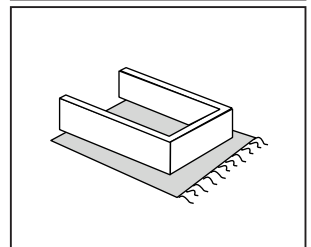
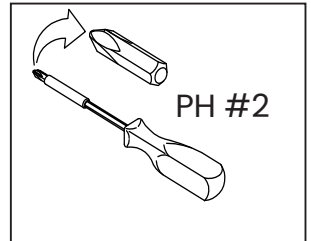
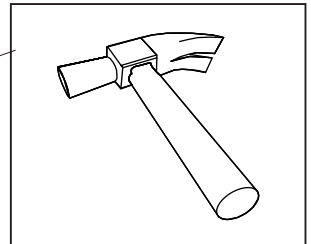
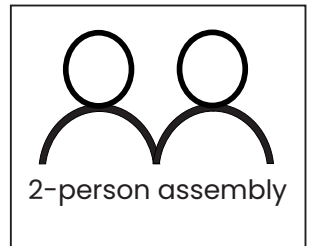
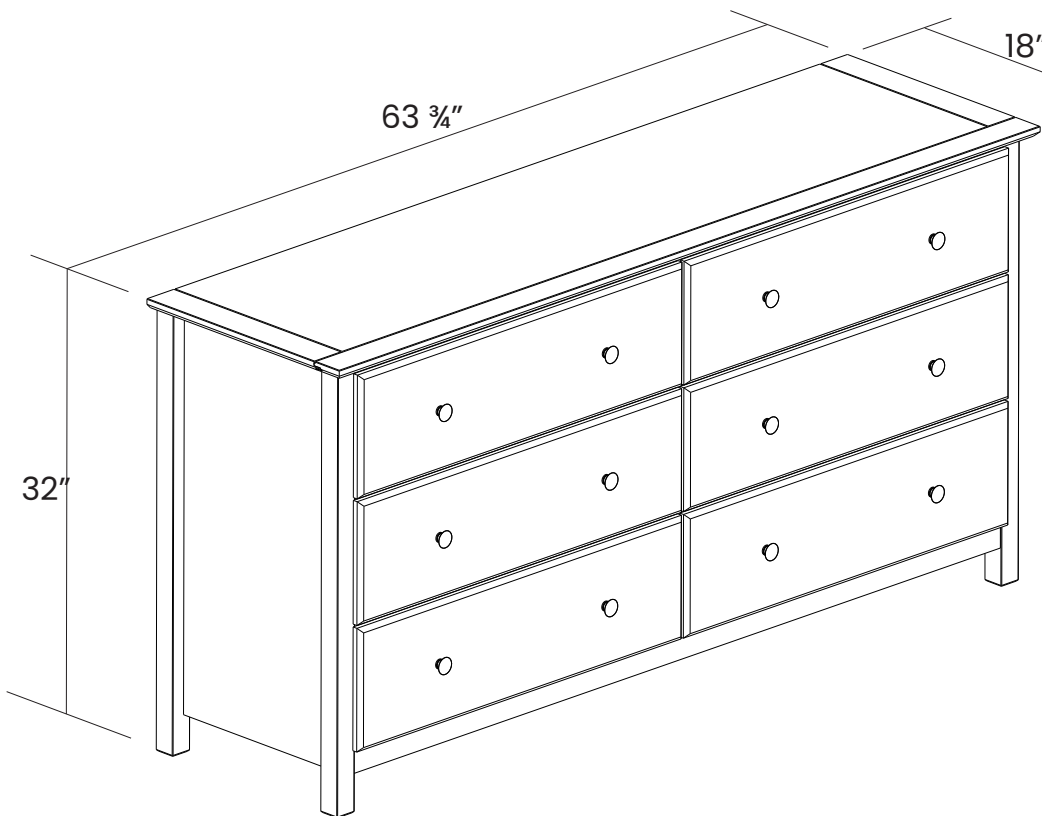


Assembly Instructions



Model #	Finish
SHS0501	Cherry
SHS0502	Espresso
SHS0504	Walnut

Thank you for choosing Grain Wood Furniture, it is an honor to be in your home! If you have any questions, feedback, or need replacement parts please contact us at: grainwoodfurniture.com/help or support@grainwoodfurniture.com

Shaker Collection
6-Drawer Dresser

GrainWood
FURNITURE.COM

PLEASE READ BELOW BEFORE BEGINNING ASSEMBLY



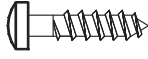
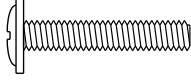


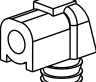
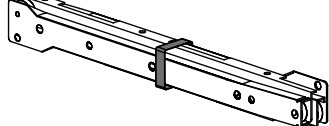
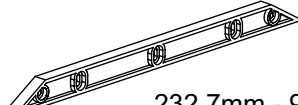
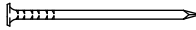
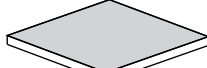

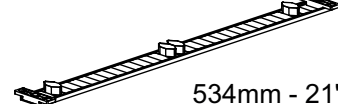
- Enlist help from a friend or family member as most items require two people for proper assembly.
- Choose a spacious, open area near where the piece will be located once assembled. It is easier to move parts than to relocate the furniture after it is fully assembled.
- Do not throw away packaging material until assembly is complete.
- Assemble the item on a soft surface, such as cardboard or an old blanket in order to protect the finish from possible dents or scratches.
- Lay out the parts in order and count them twice. In case any parts are missing or damaged, document the problem with pictures and contact support so we can make it right.
- Solid wood furniture may present imperfections such as wood knots, minor splits or cracks which are a natural aspect of the material. Whenever stability of the furniture is not compromised, we recommend customers perform cosmetic touch-ups with wax crayon fillers sold at all major hardware stores.
- It is best to use the tools provided in the box, such as a hex key, because they may be specially sized for the piece of furniture.
- We do not recommend the use of power drills as they can damage your furniture if not used correctly.
- Use a carpenter's square or hardcover book to check angles when assembling drawers and doors. If they are not at 90 degrees, they will not close properly.
- If you have any problems, we are here to help. Just go to grainwoodfurniture.com/help.
- See grainwoodfurniture.com/care-guide for suggestions that will help your furniture last for years.

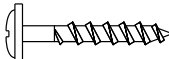
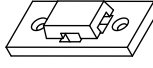
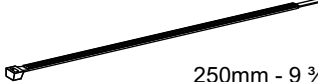


grainwoodfurniture.com/assembly-troubleshooting

Enjoy your 100% solid wood furniture!

HARDWARE LIST

A1	 4,0x30	80 + 4
A4	 3,5x14	27 + 2
A9	 3,5x16	18 + 1
A25	 M4x25	12 + 1
B31	 6,0x10	48 + 3
C2	 8,0x25	80 + 4
D21		1
E13		6
E14		6
E23	 232,7mm - 9 1/4"	6
G1	 10x10	19
G12	 30x30	6
H4		12
I3	 534mm - 21"	02

ANTI-TIPPING RESTRAINT KIT		
A47	 3,0x20	2 + 1
F8		2
F15	 250mm - 9 3/4"	1



ATTENTION

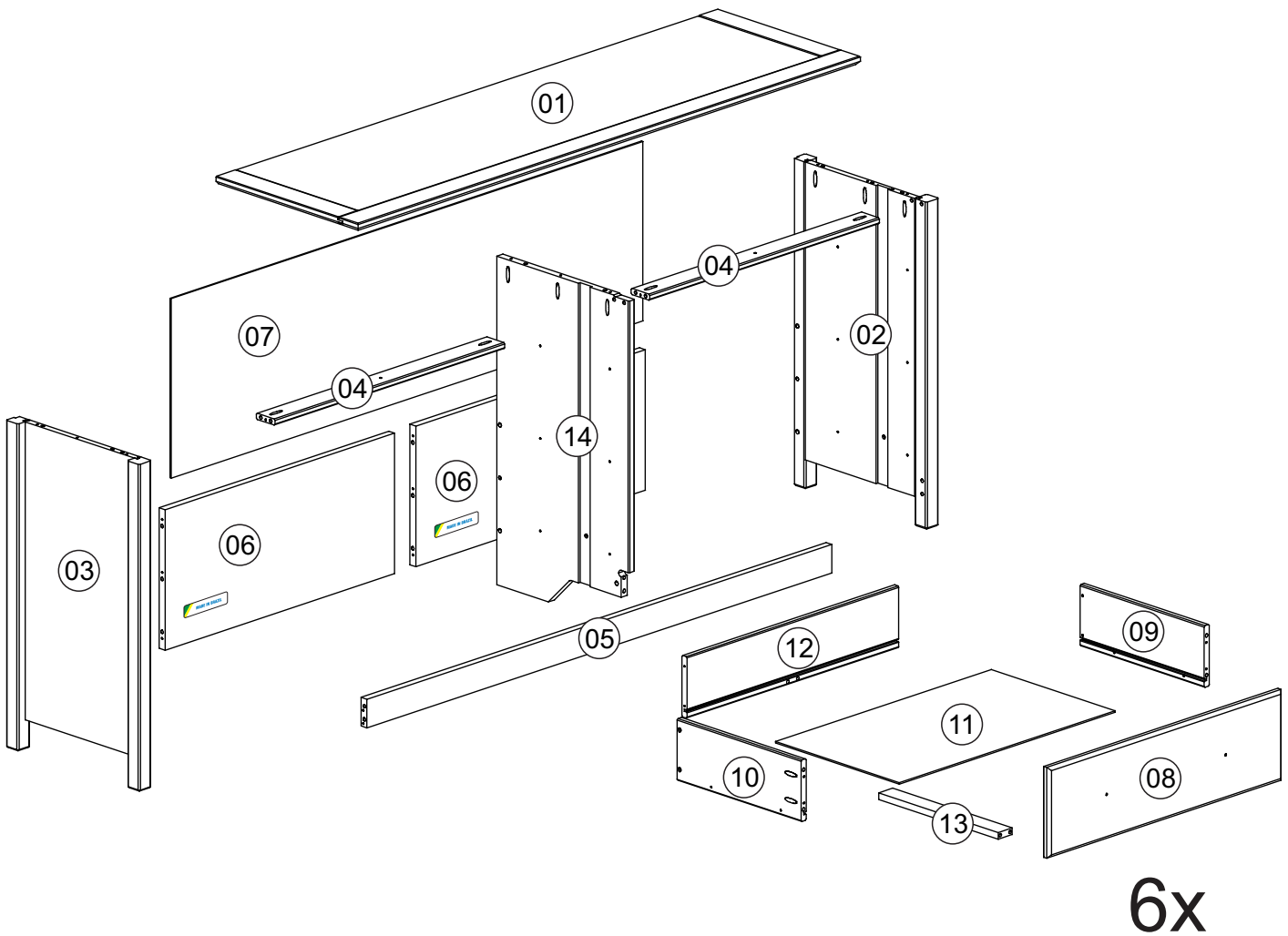
Before starting assembly please verify the hardware set is complete.

For missing hardware please contact us at grainwoodfurniture.com/help

WARNING:

CHOKING HAZARD

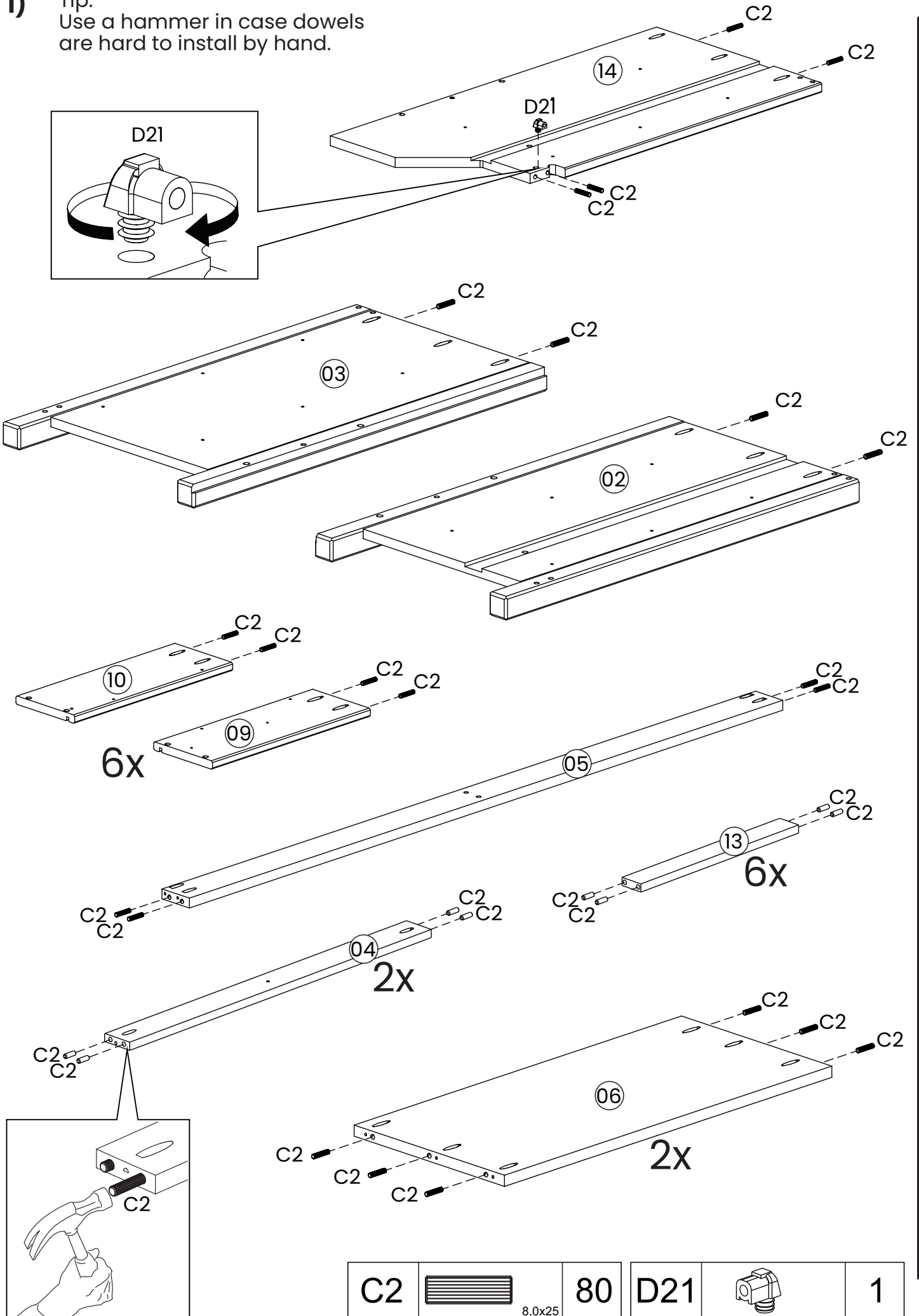
Small parts, not for children.
To be assembled by an adult.





Box A - 1 of 2		
Part #	Description	Qty.
01	Top	1
05	Lower crosspiece	1
07	Back panel	1
08	Drawer front	6
11	Drawer bottom	6
12	Drawer back	6
13	Drawer bottom support	6

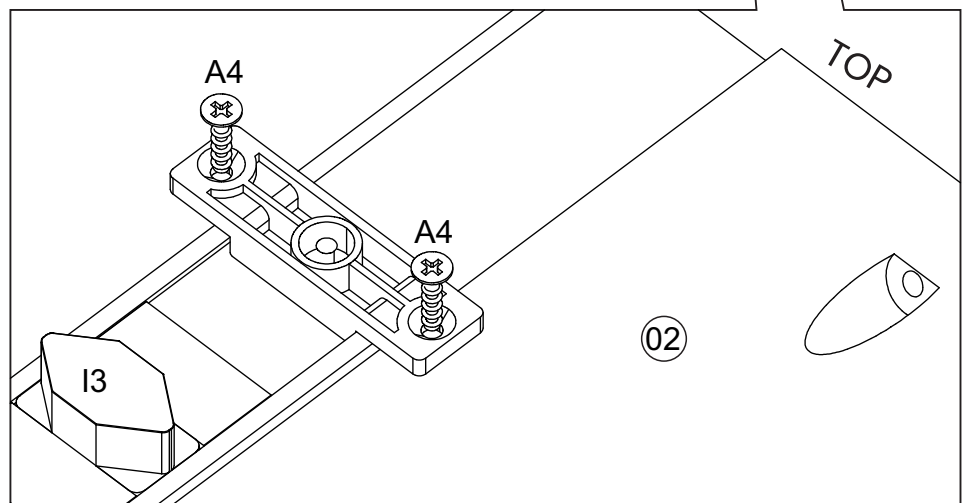
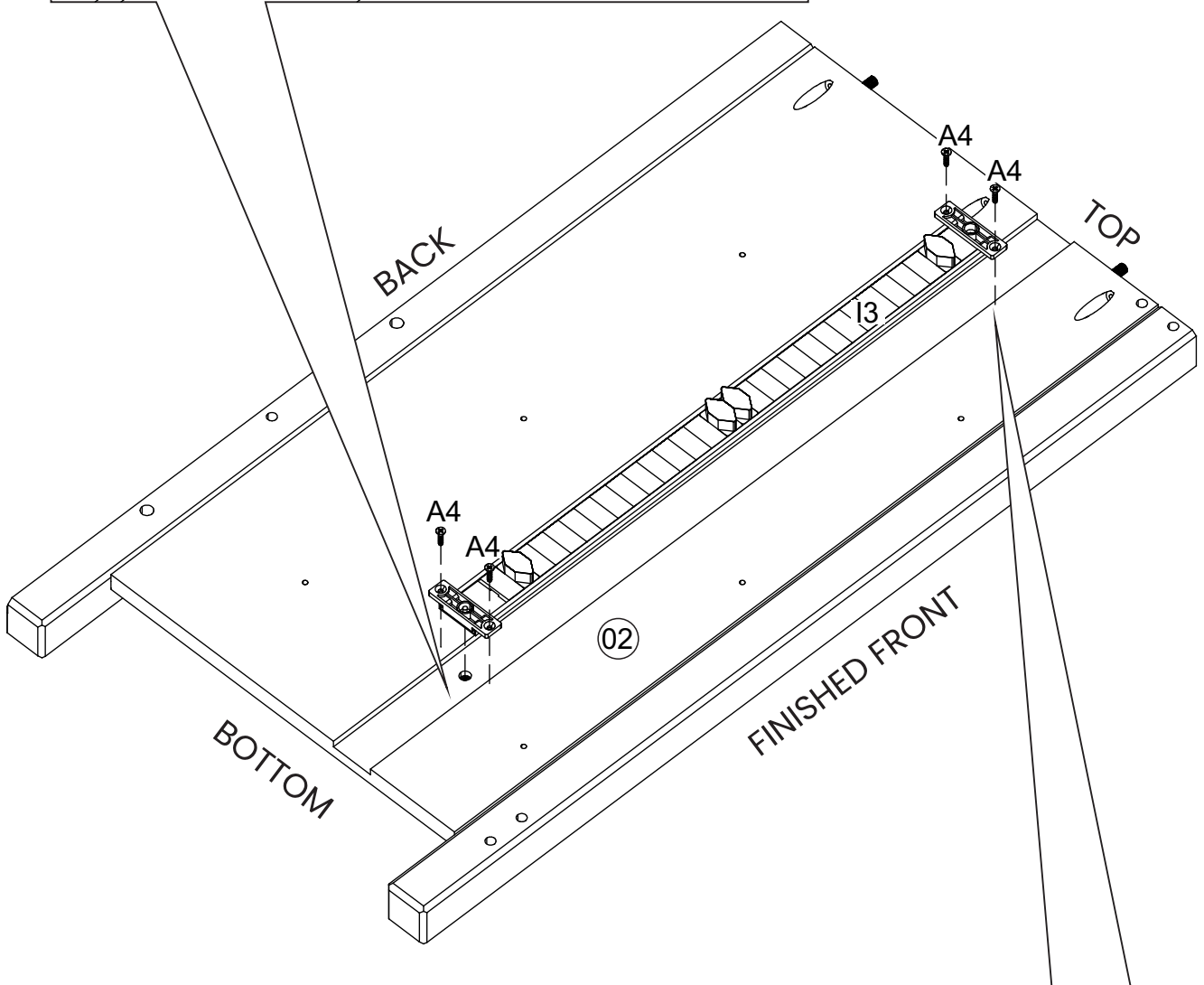
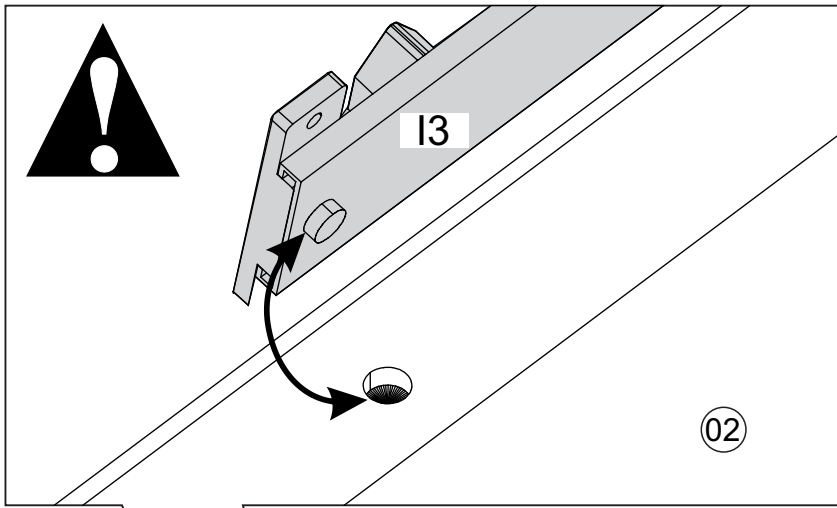
Box B - 2 of 2		
Part #	Description	Qty.
02	Right side	1
03	Left side	1
04	Upper crosspiece	2
06	Rear panel	2
09	Drawer right side	6
10	Drawer left side	6
14	Division	1
HW	Hardware	1



1) Tip:
Use a hammer in case dowels
are hard to install by hand.



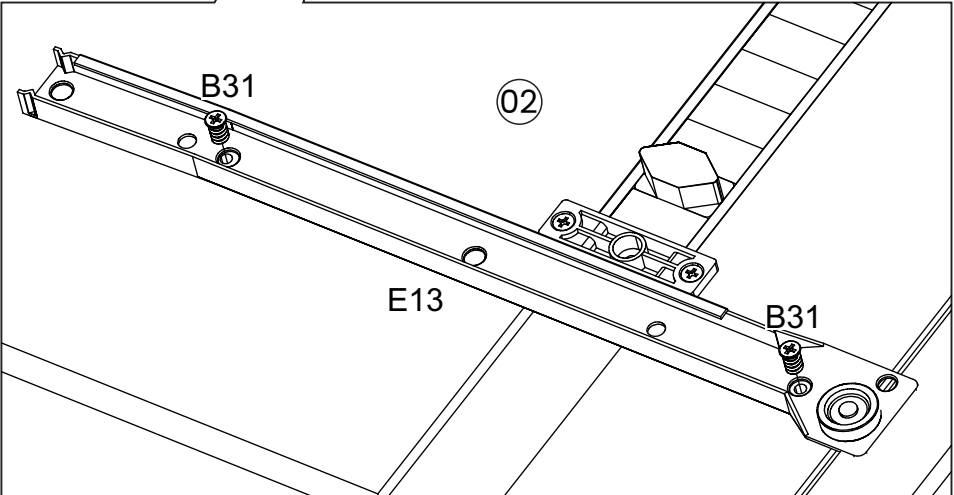
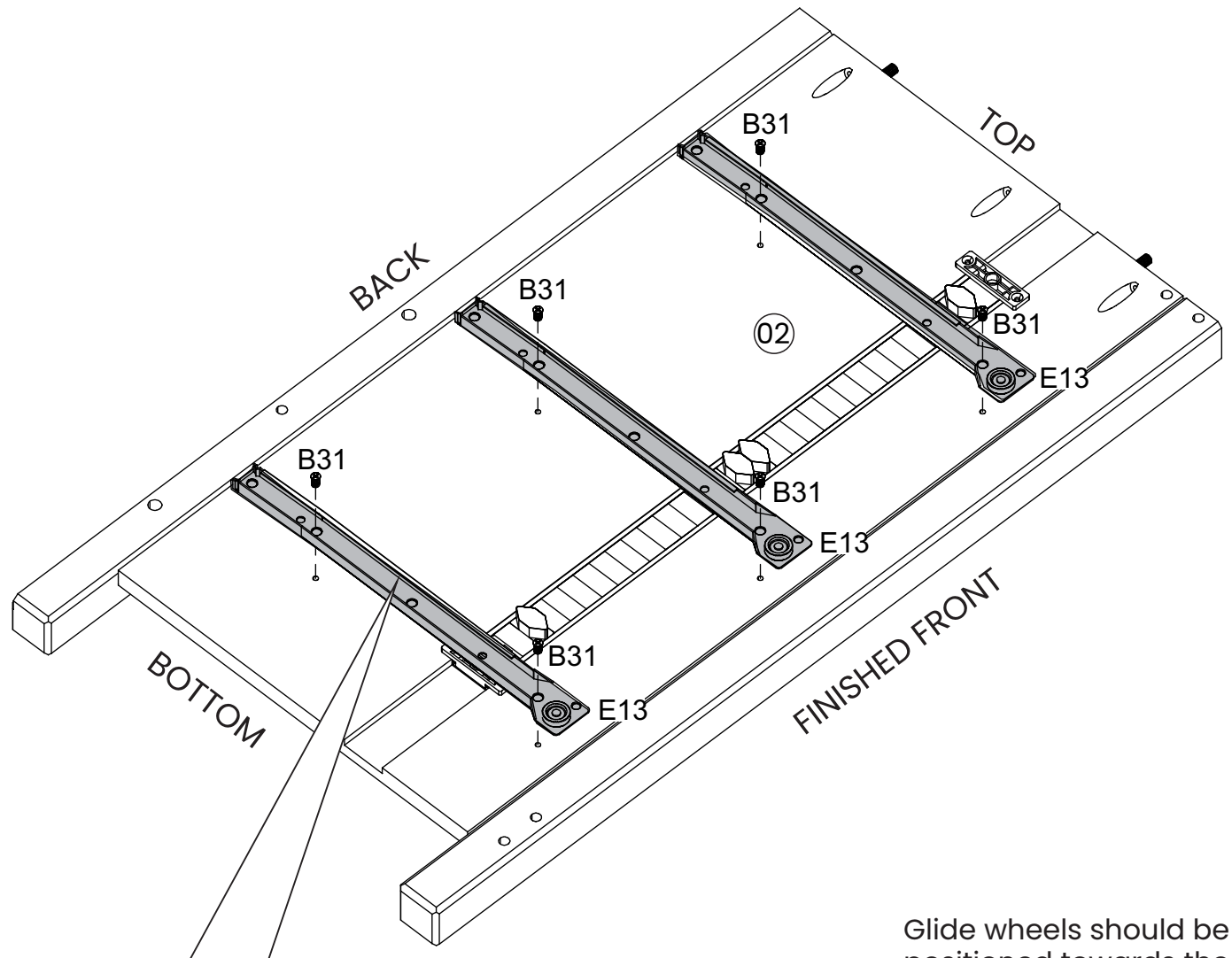
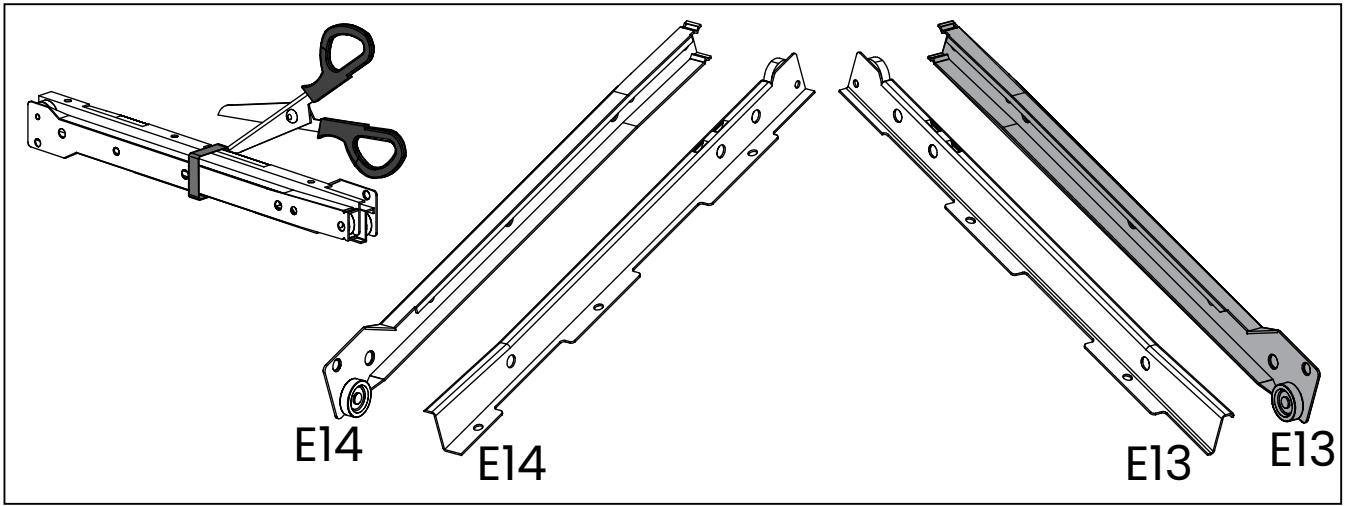
C2		80	D21		1
	8,0x25				

2)



A4	 3,5x14	4
I3		1


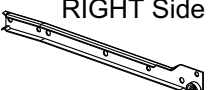
3)



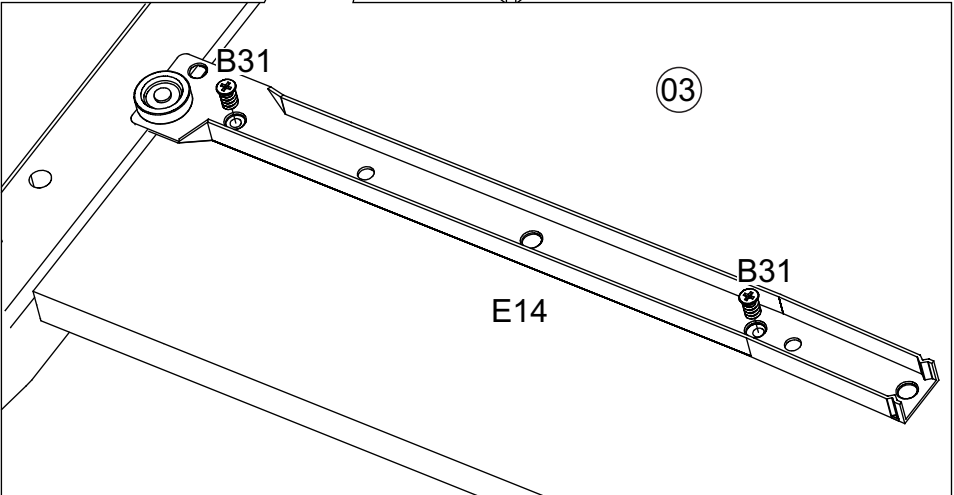
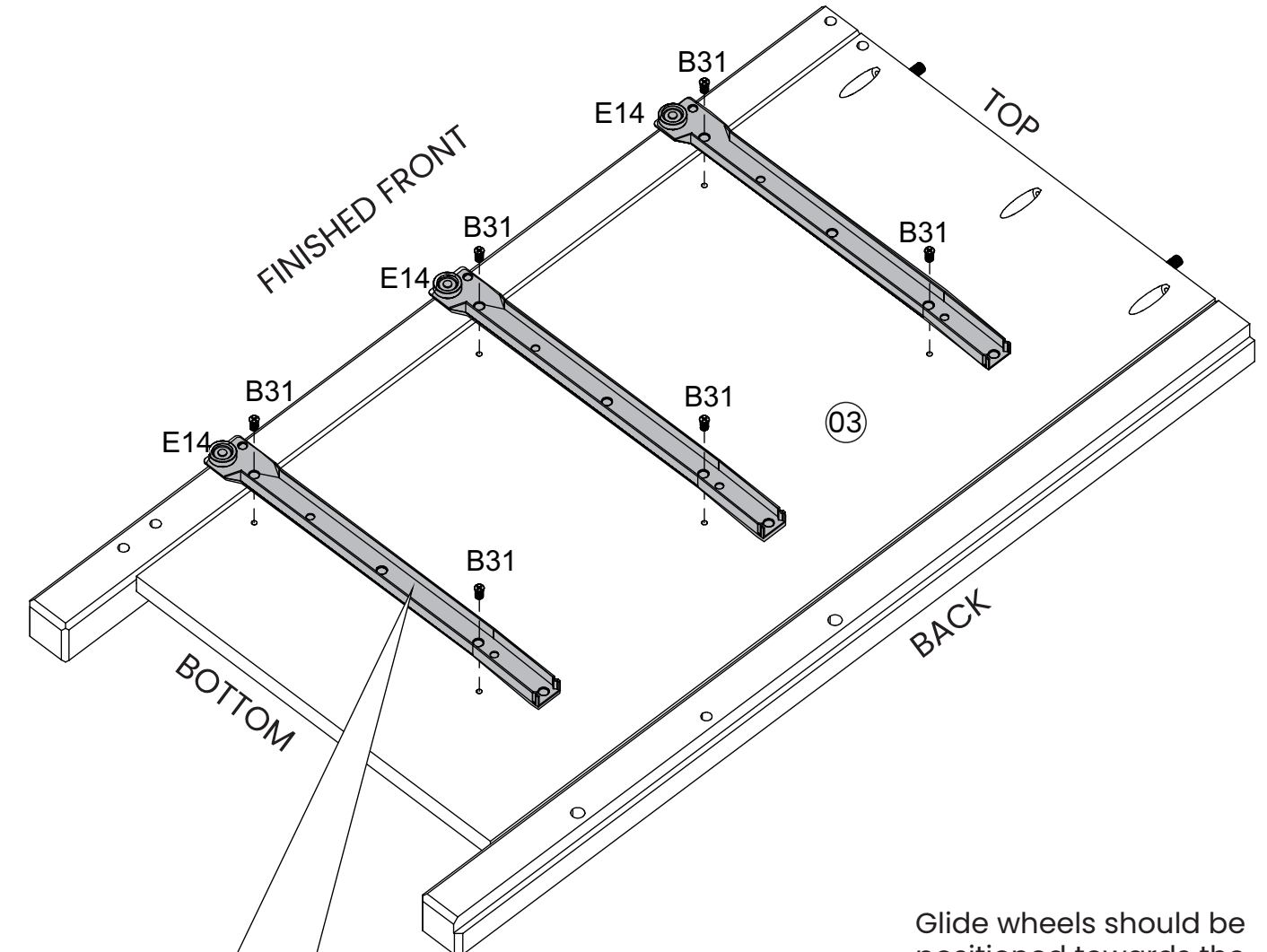
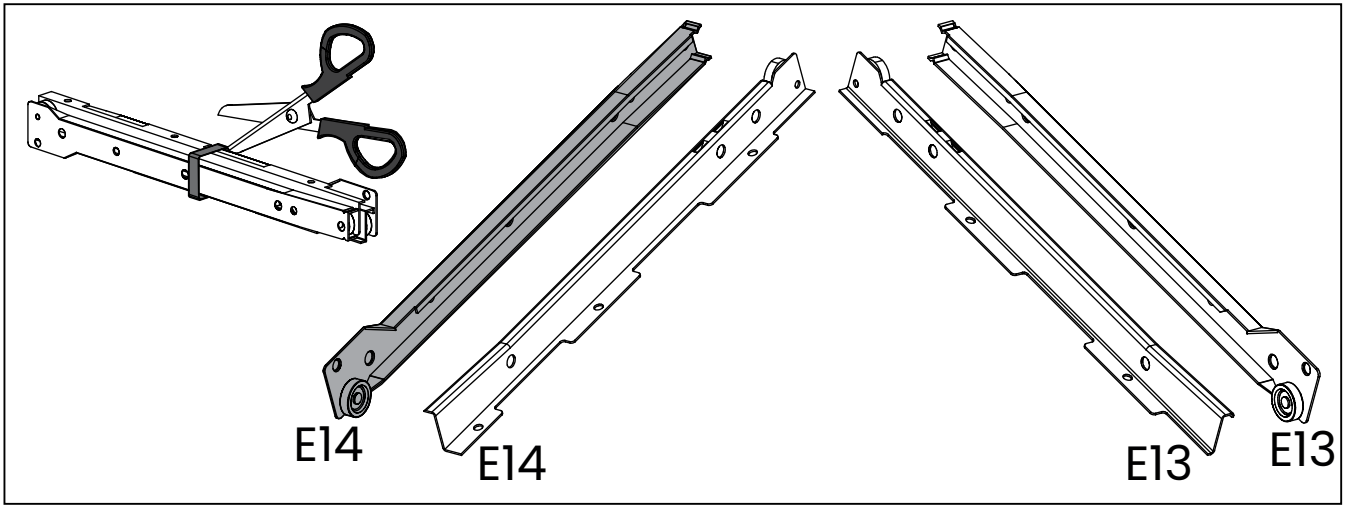
Glide wheels should be positioned towards the front and bottom of the side panel.

Need help?
Scan the QR code.



B31	 6,0x10	6
E13	 RIGHT Side	3


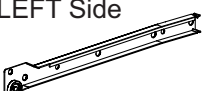
4)



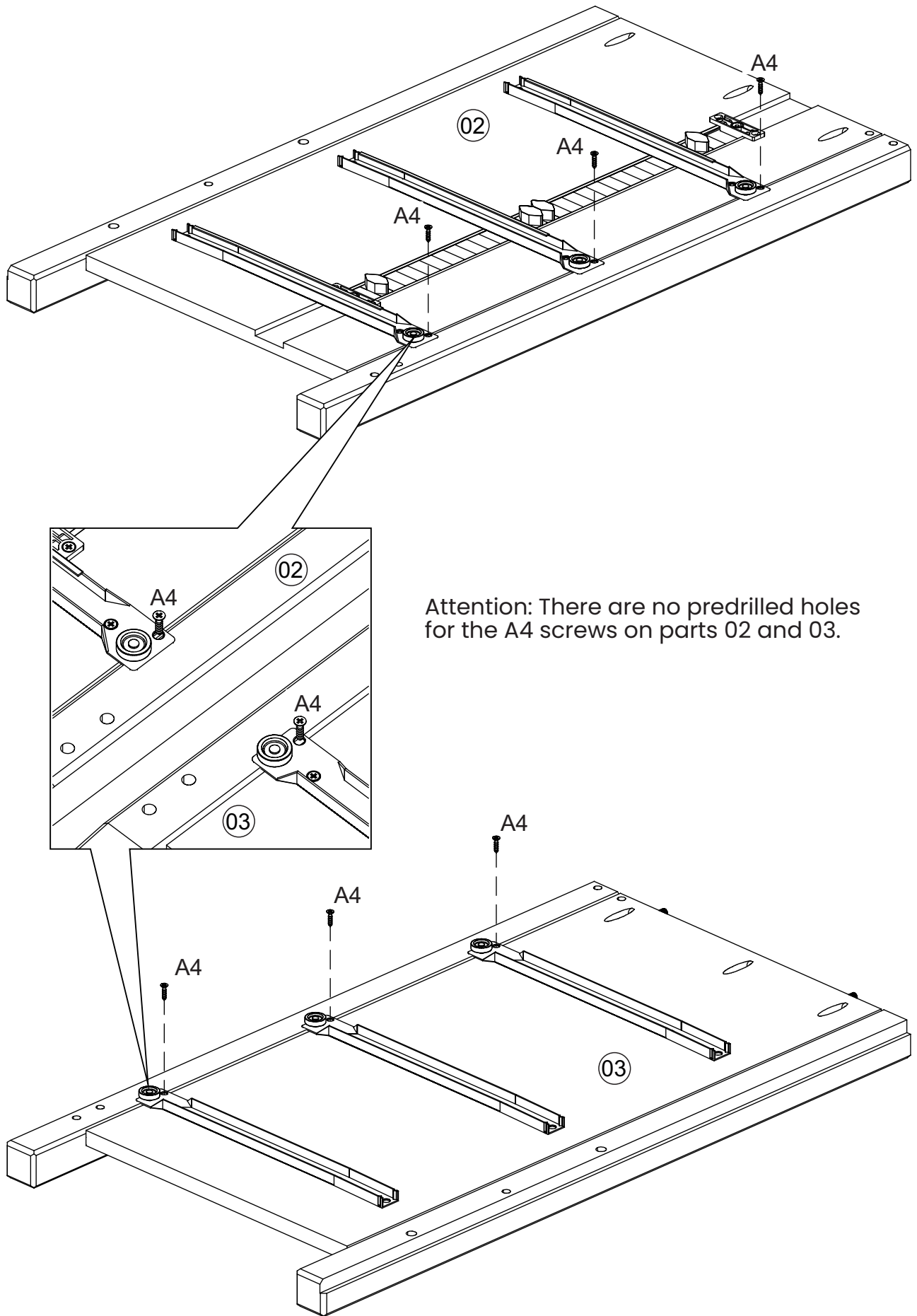
Glide wheels should be positioned towards the front and bottom of the side panel.

Need help?
Scan the QR code.



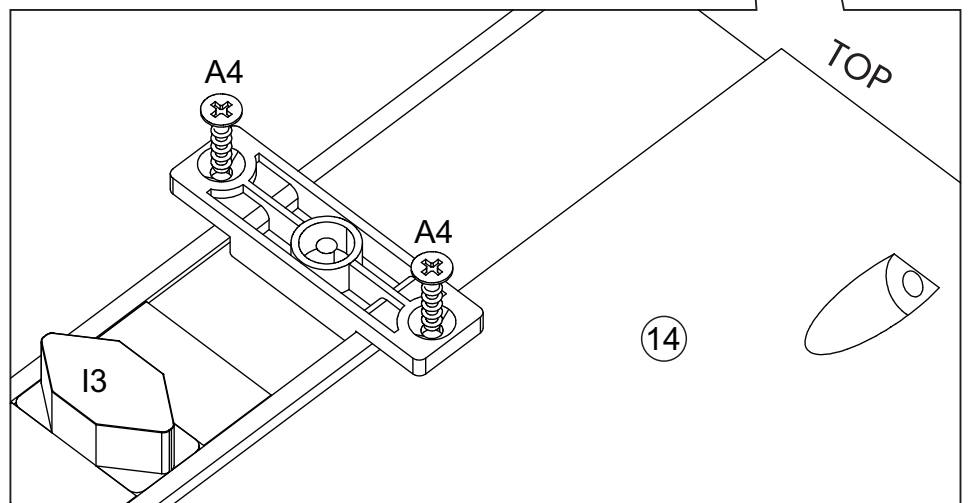
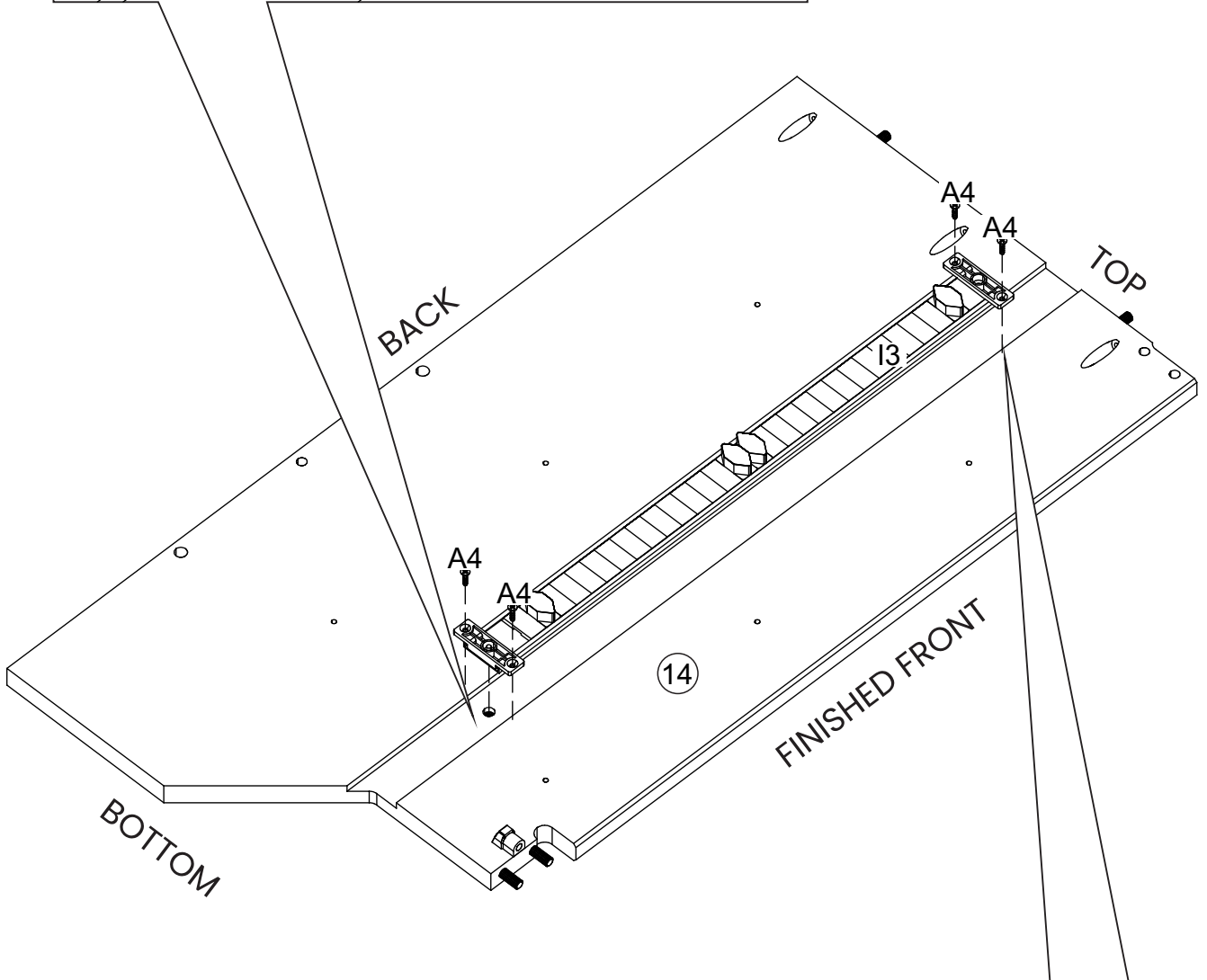
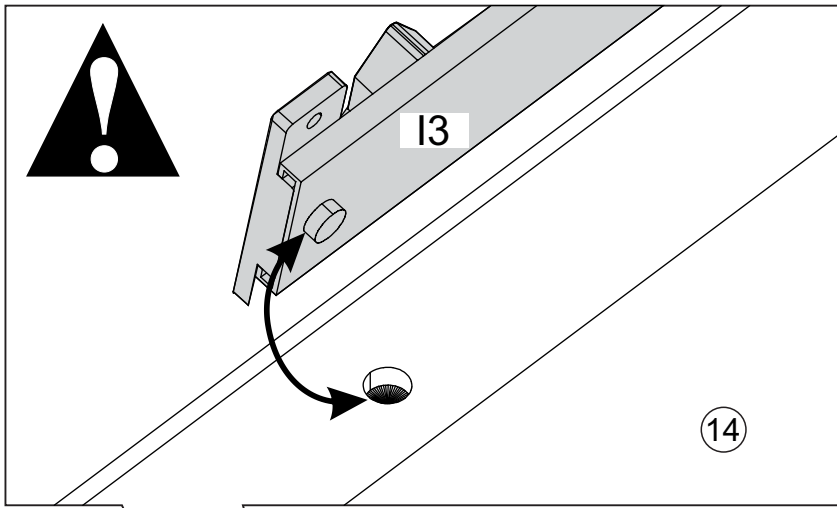
B31	 6,0x10	6
E14	LEFT Side 	3


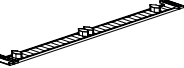
5)



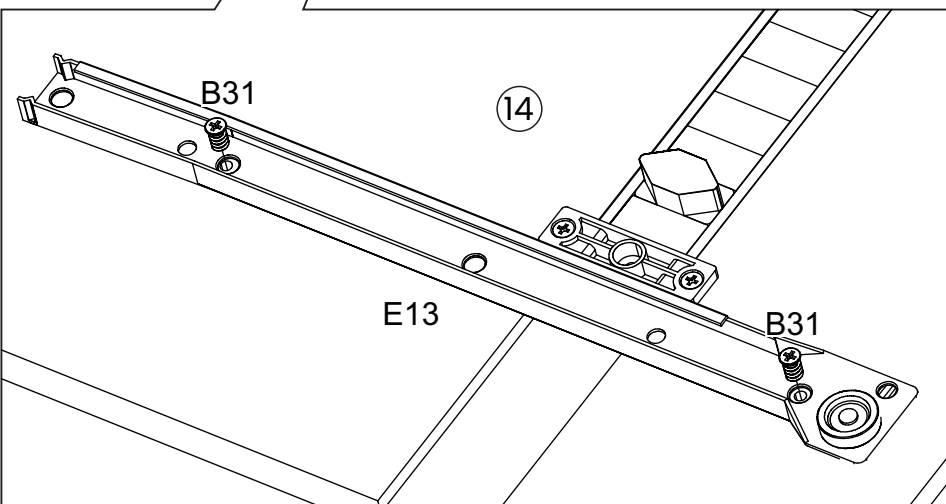
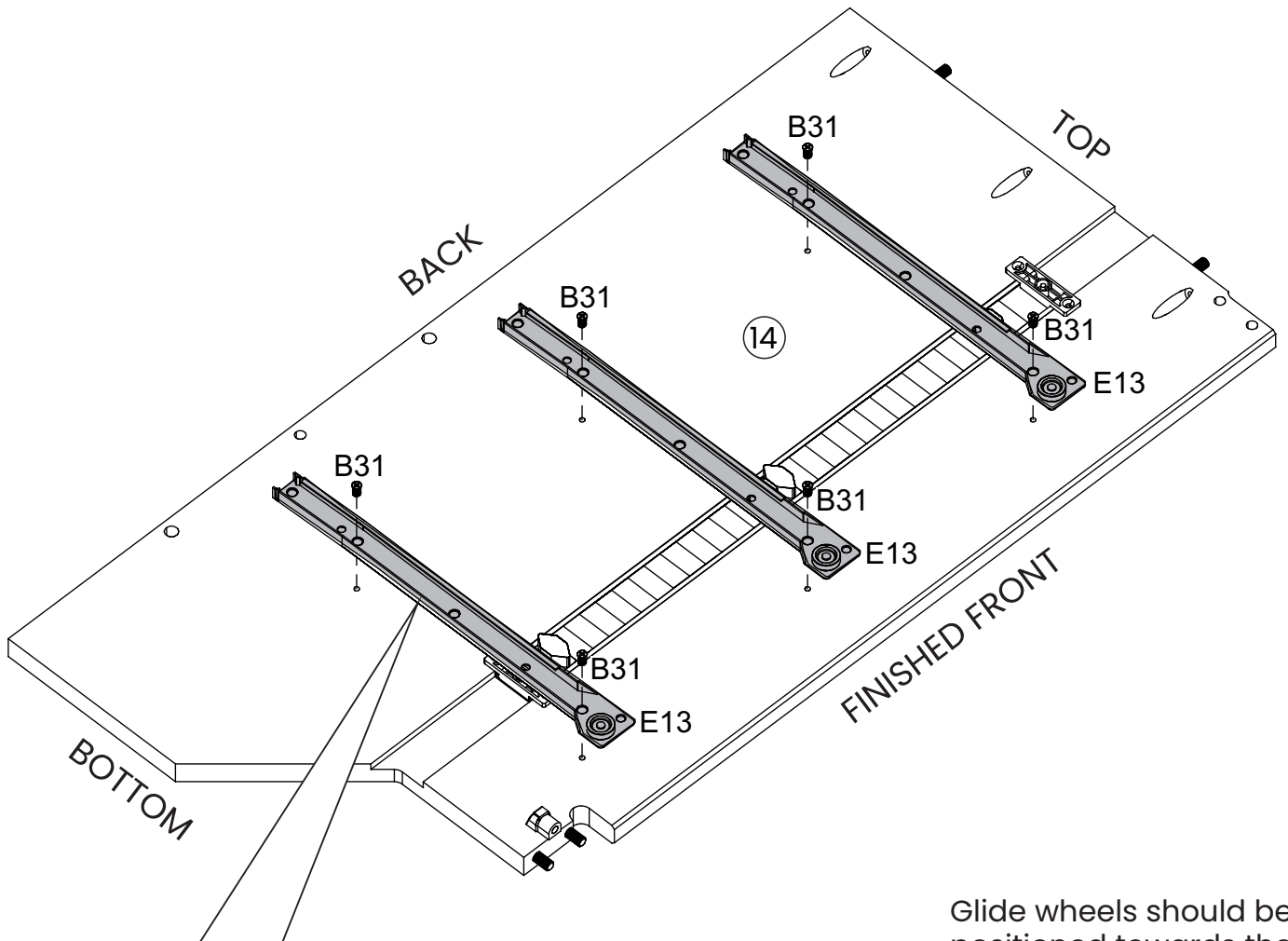
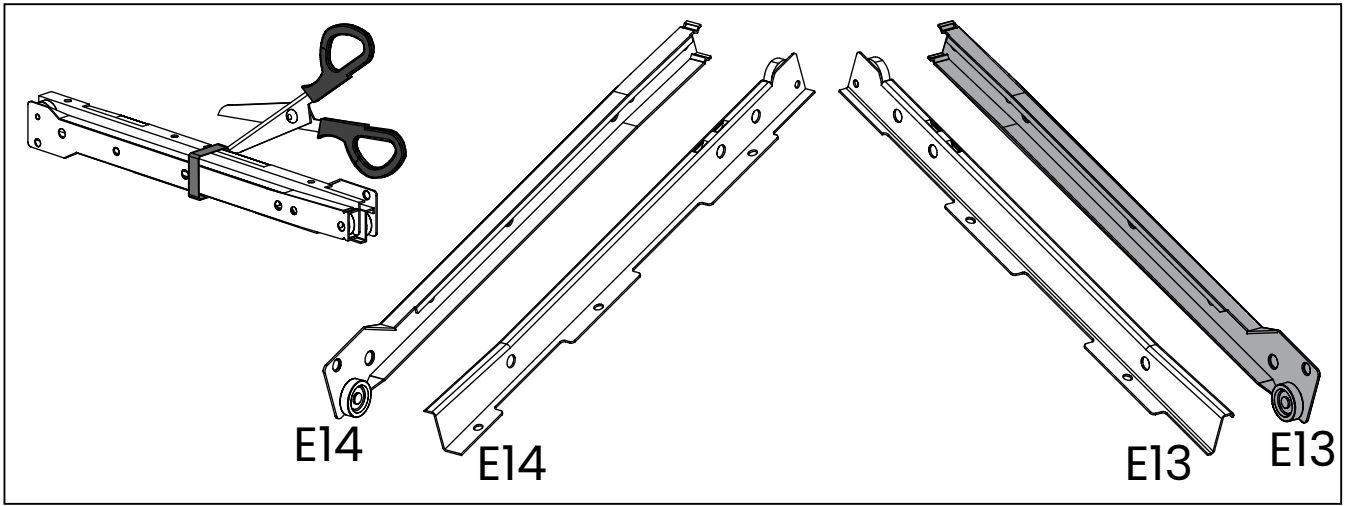
A4		6
		3,5x14

6)



A4	 3,5x14	4
I3		1



7)



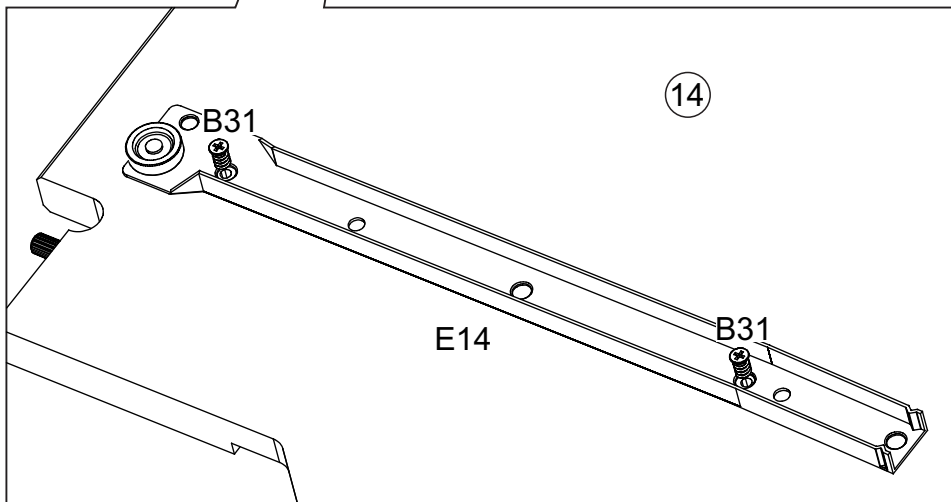
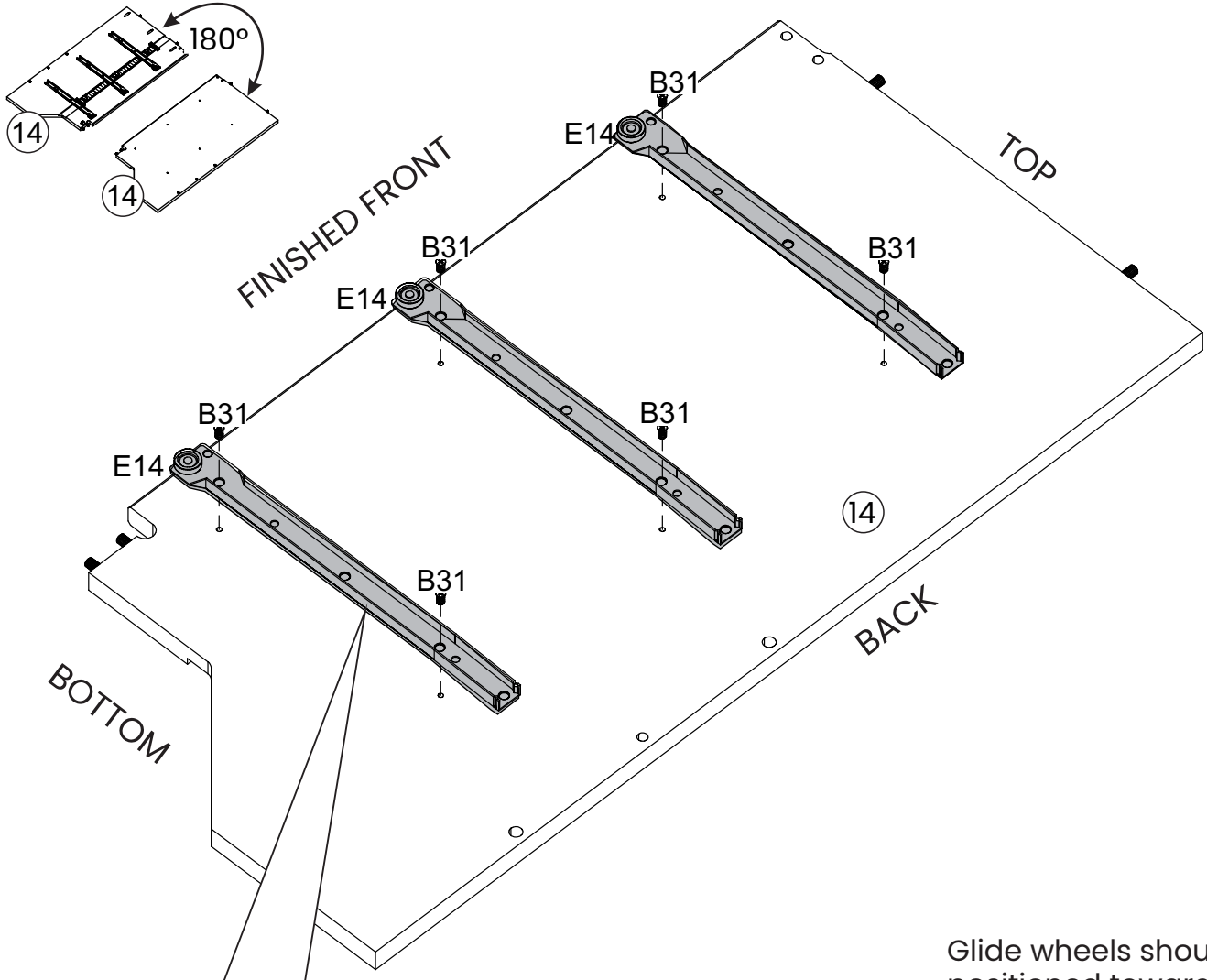
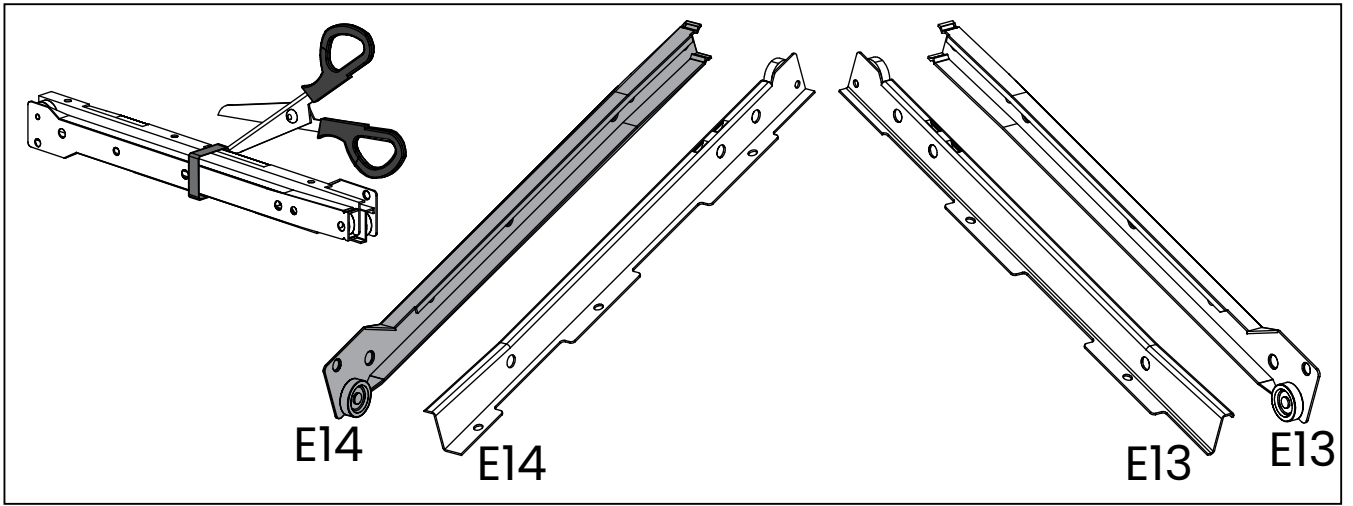
Glide wheels should be positioned towards the front and bottom of the side panel.

Need help?
Scan the QR code.



B31	 6,0x10	6
E13	 RIGHT Side	3


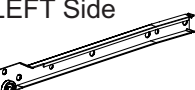
8)



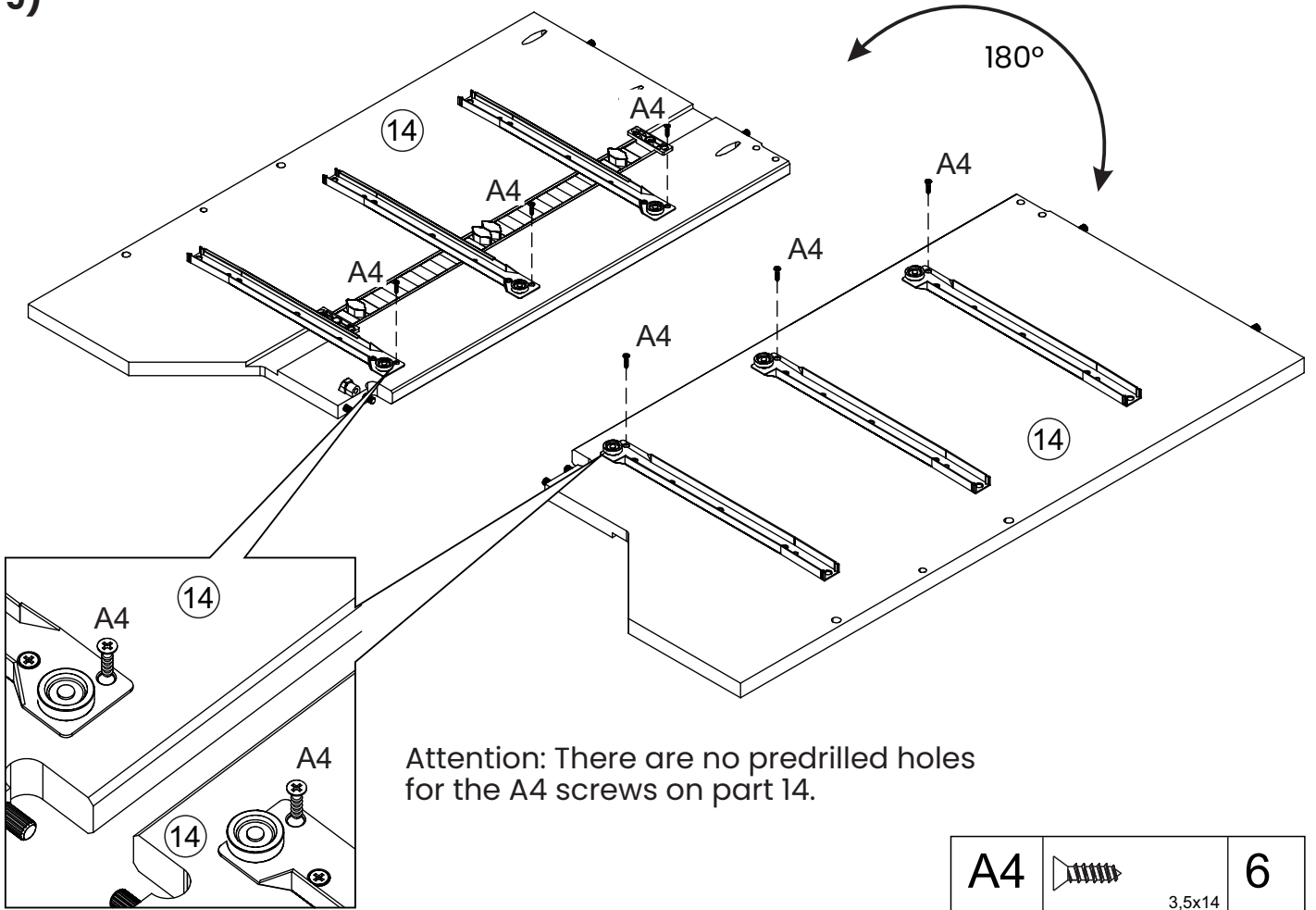
Glide wheels should be positioned towards the front and bottom of the side panel.

Need help?
Scan the QR code.

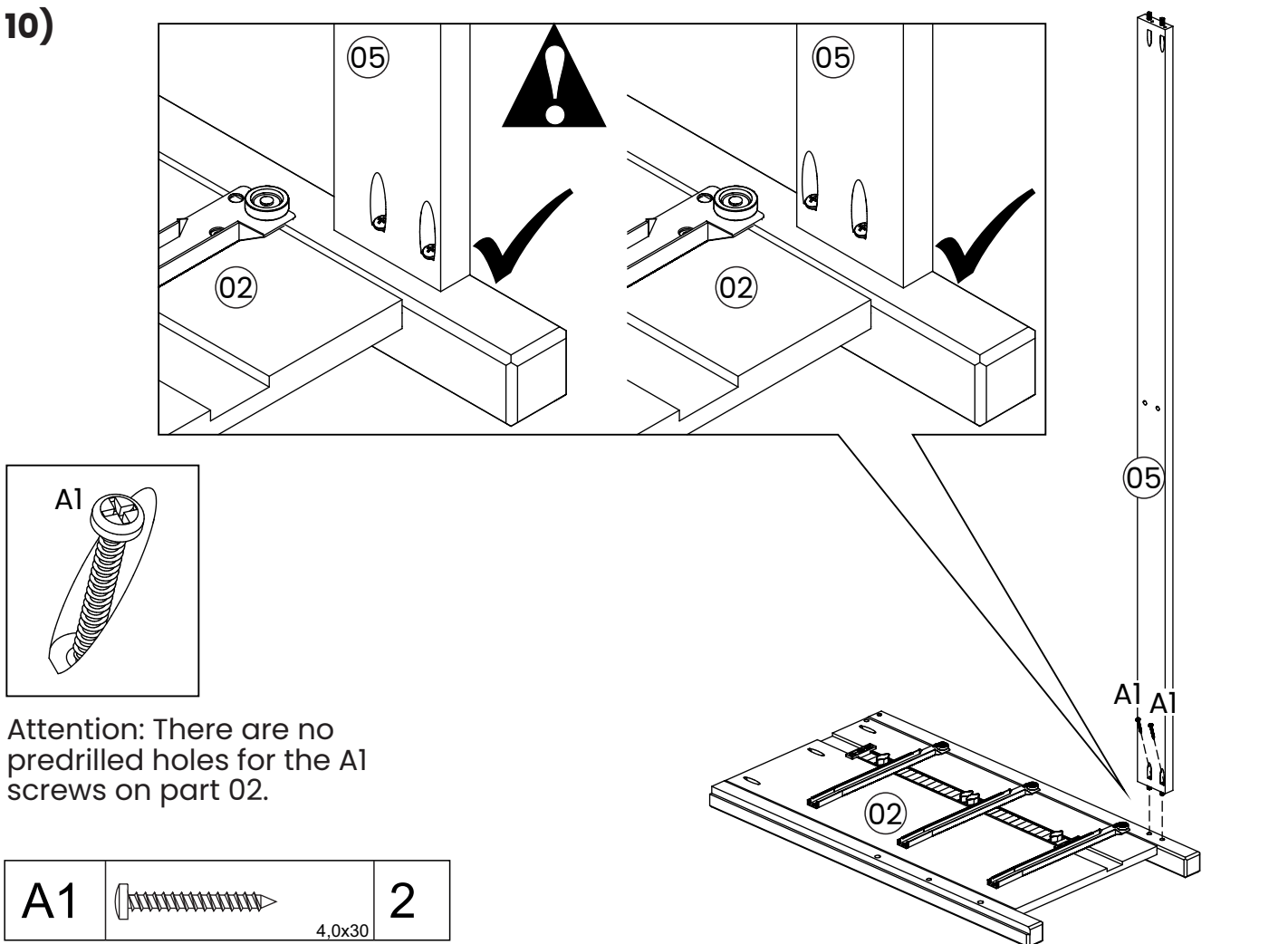


B31	 6.0x10	6
E14	LEFT Side 	3

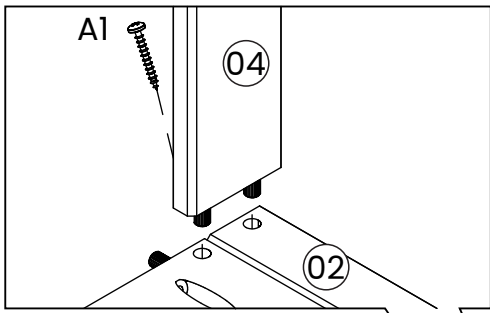
9)



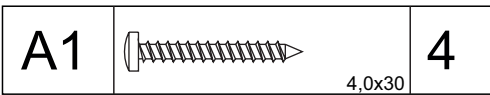
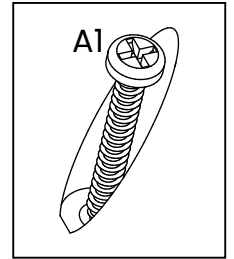
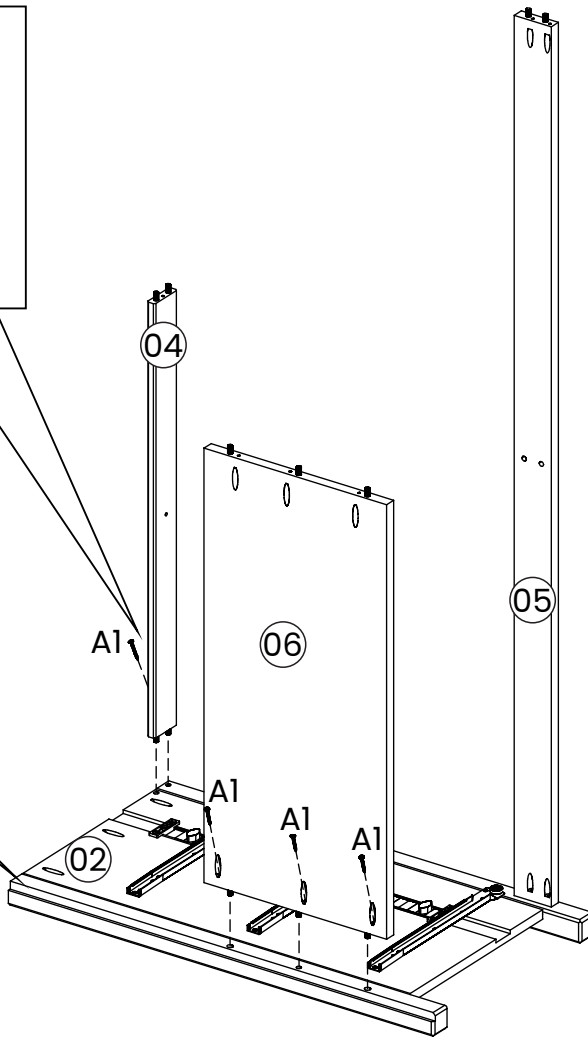
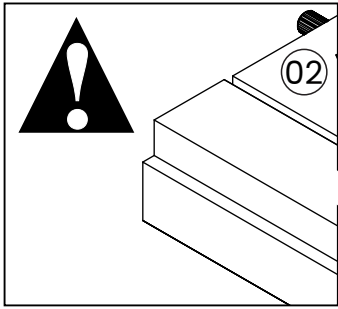
10)



11)

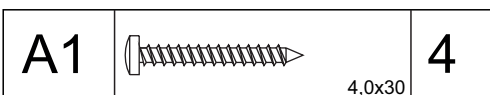
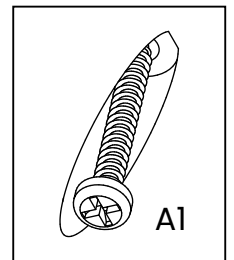
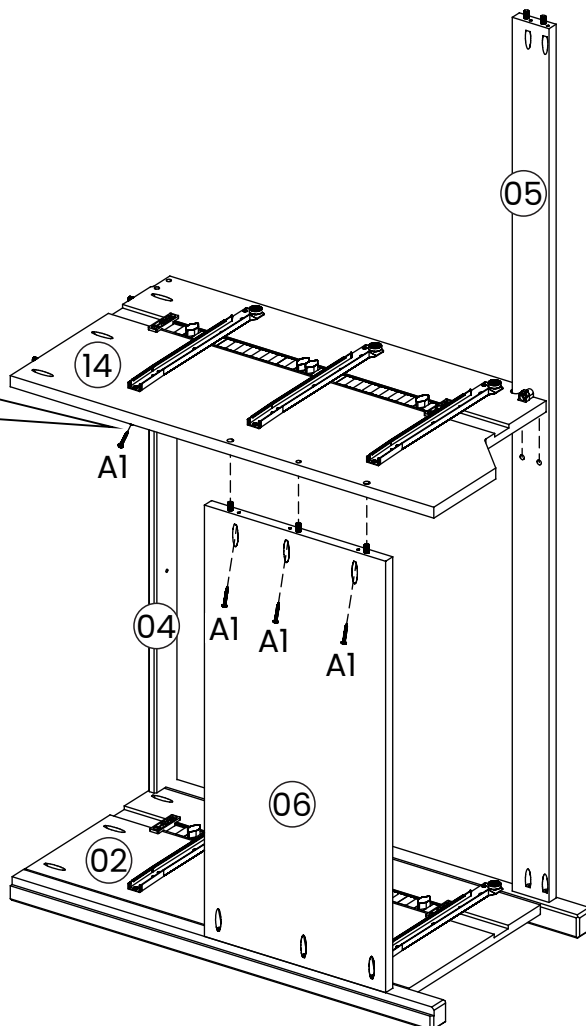
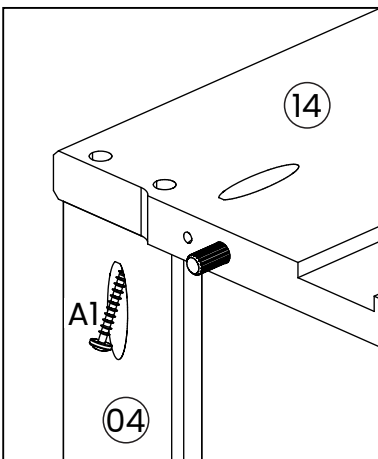


Attention: There are no predrilled holes for the A1 screws on part 02.

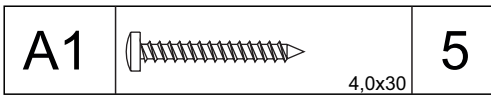
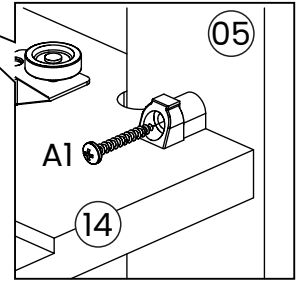
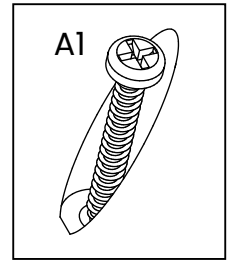
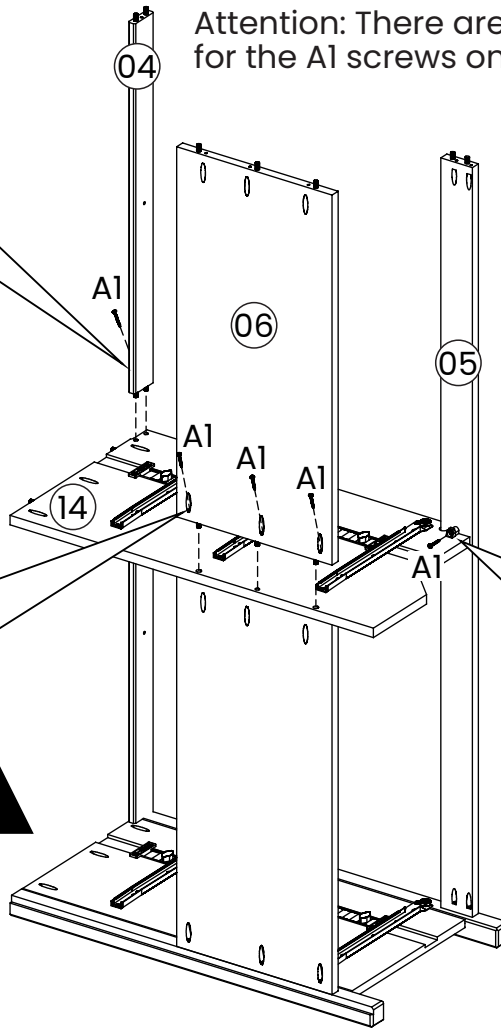
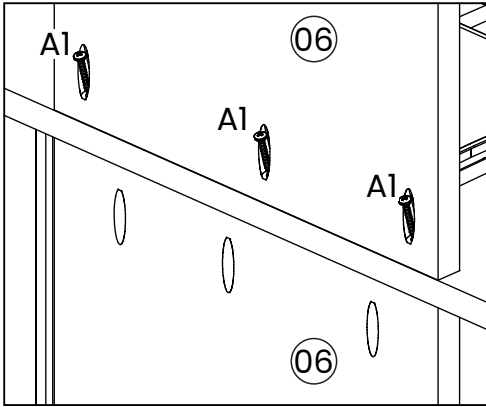
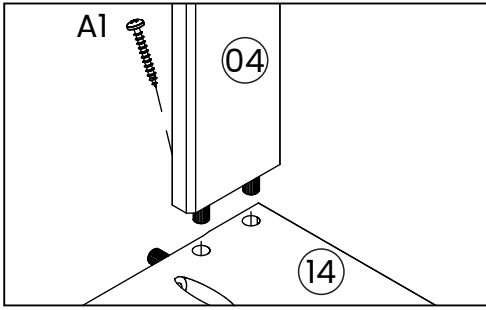


12)

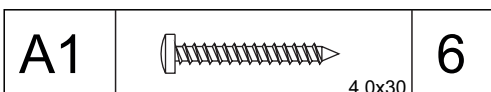
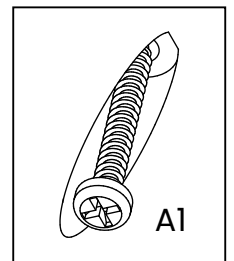
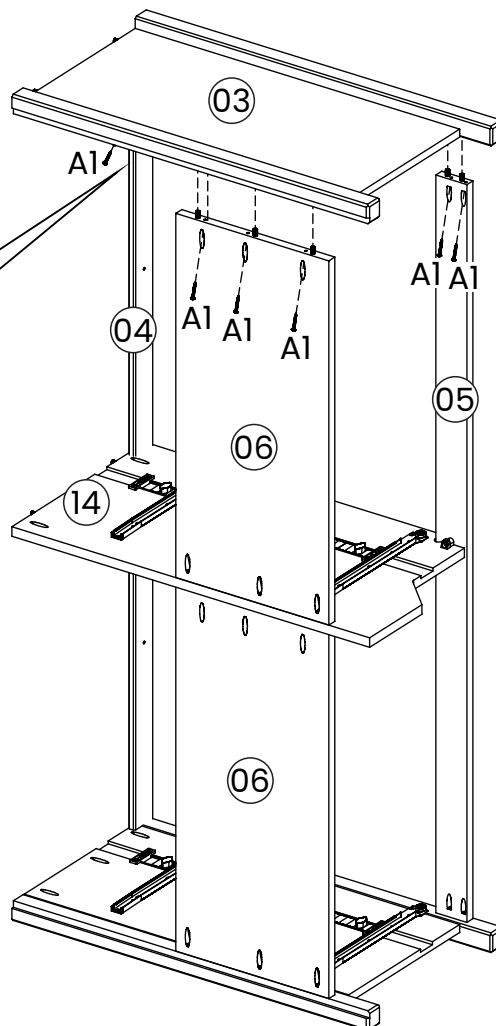
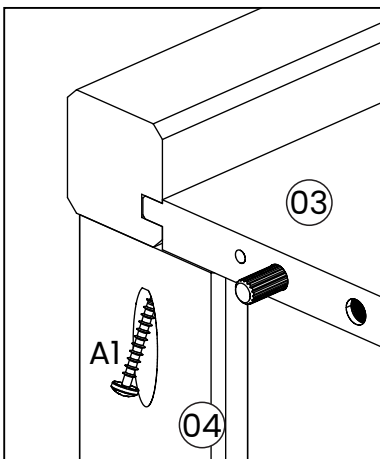
Attention: There are no predrilled holes for the A1 screws on part 14.



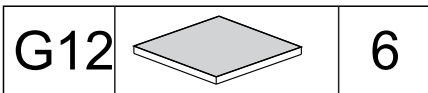
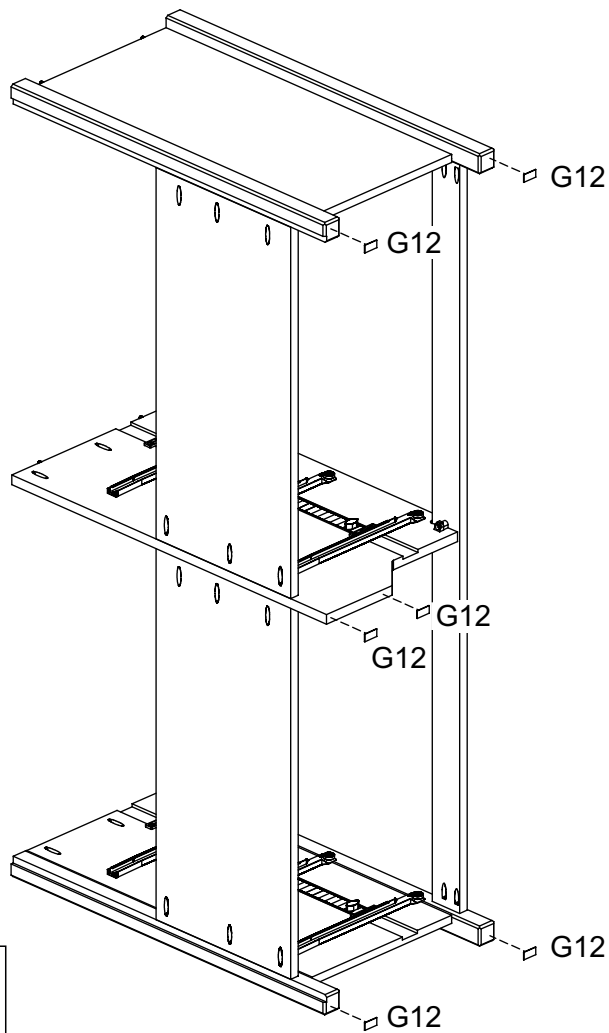
13) Attention: There are no predrilled holes for the A1 screws on parts 05 and 14.



14) Attention: There are no predrilled holes for the A1 screws on part 03.

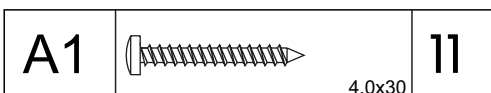
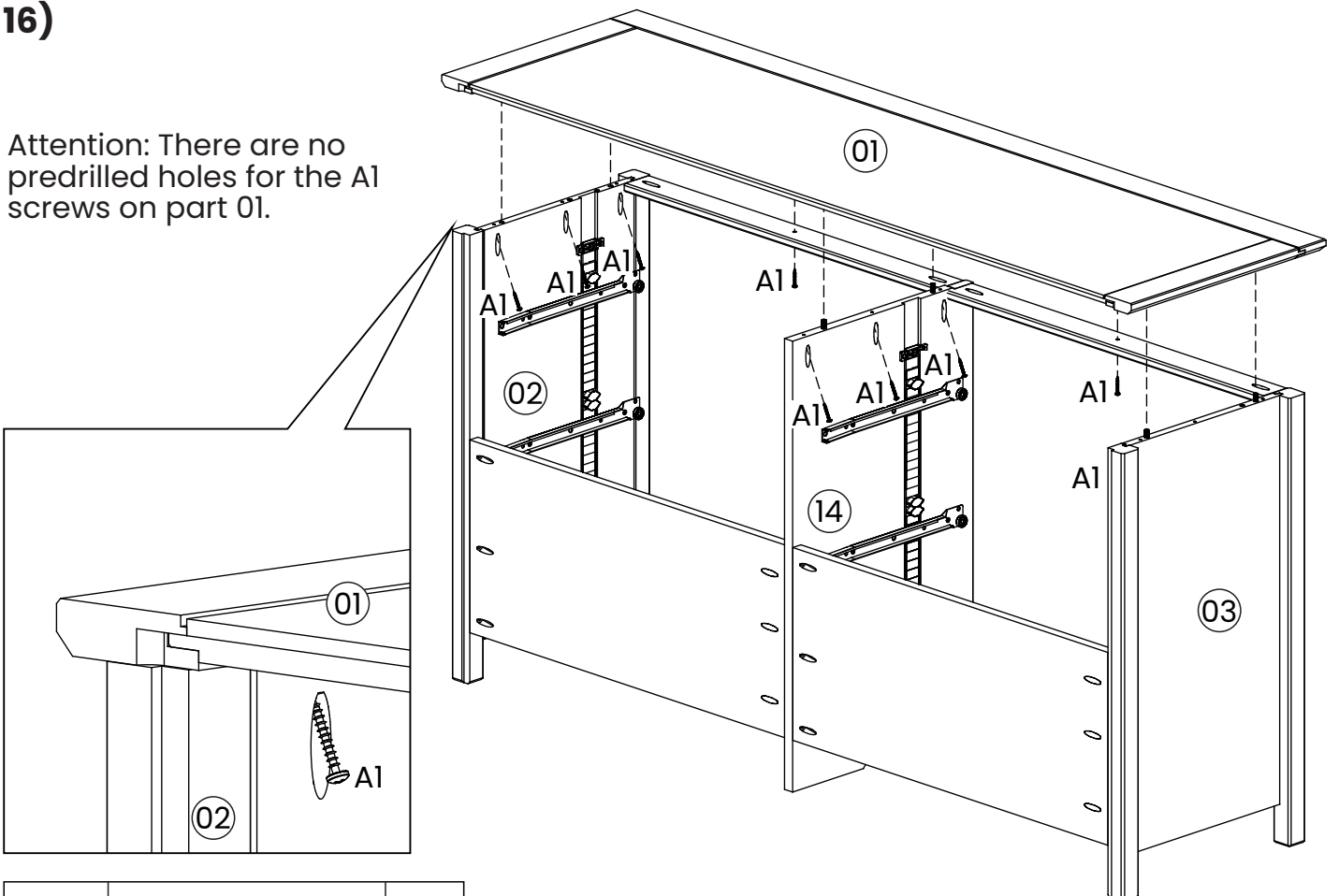


15)

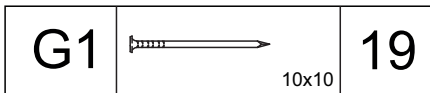
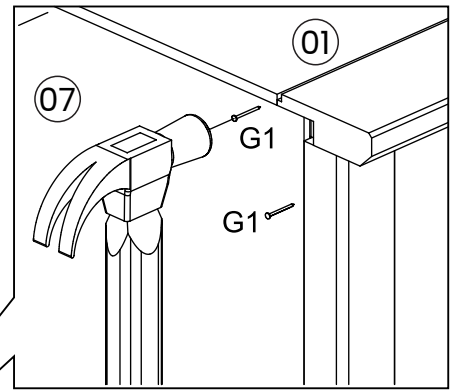
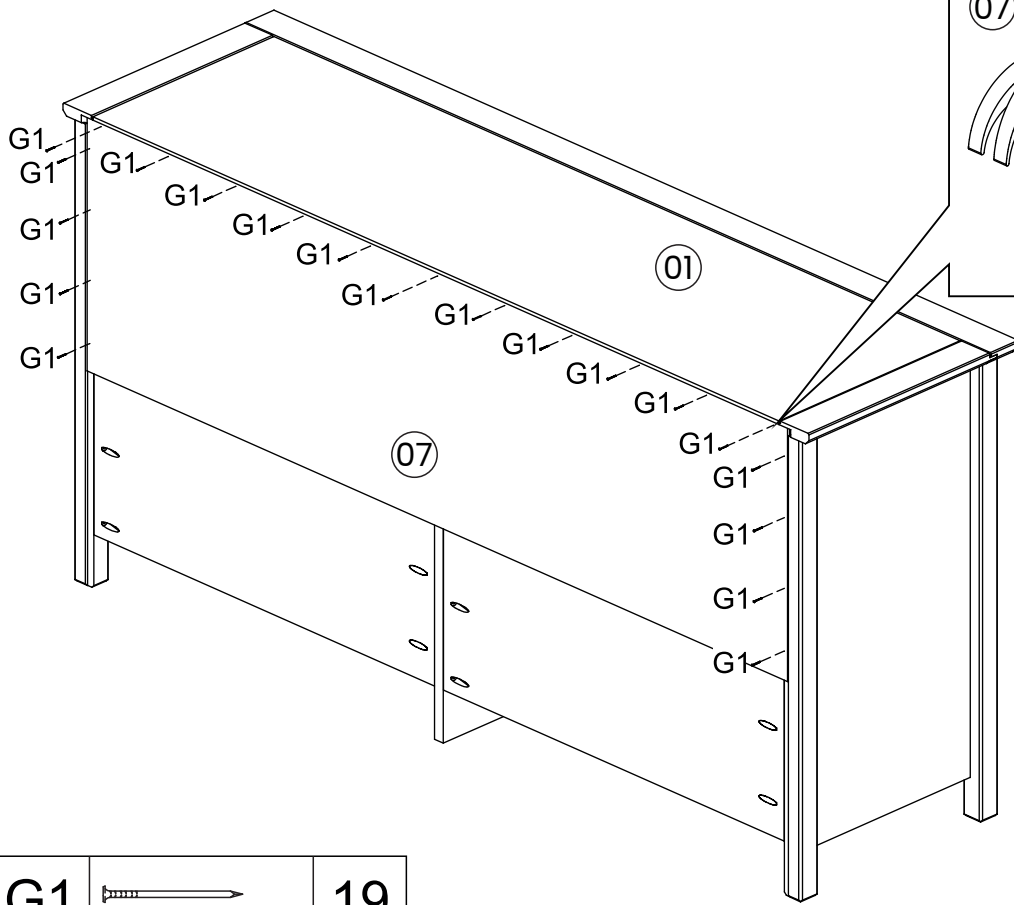


16)

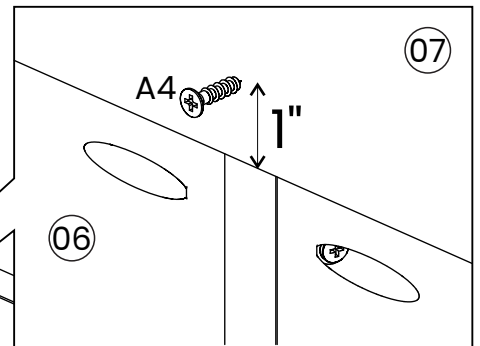
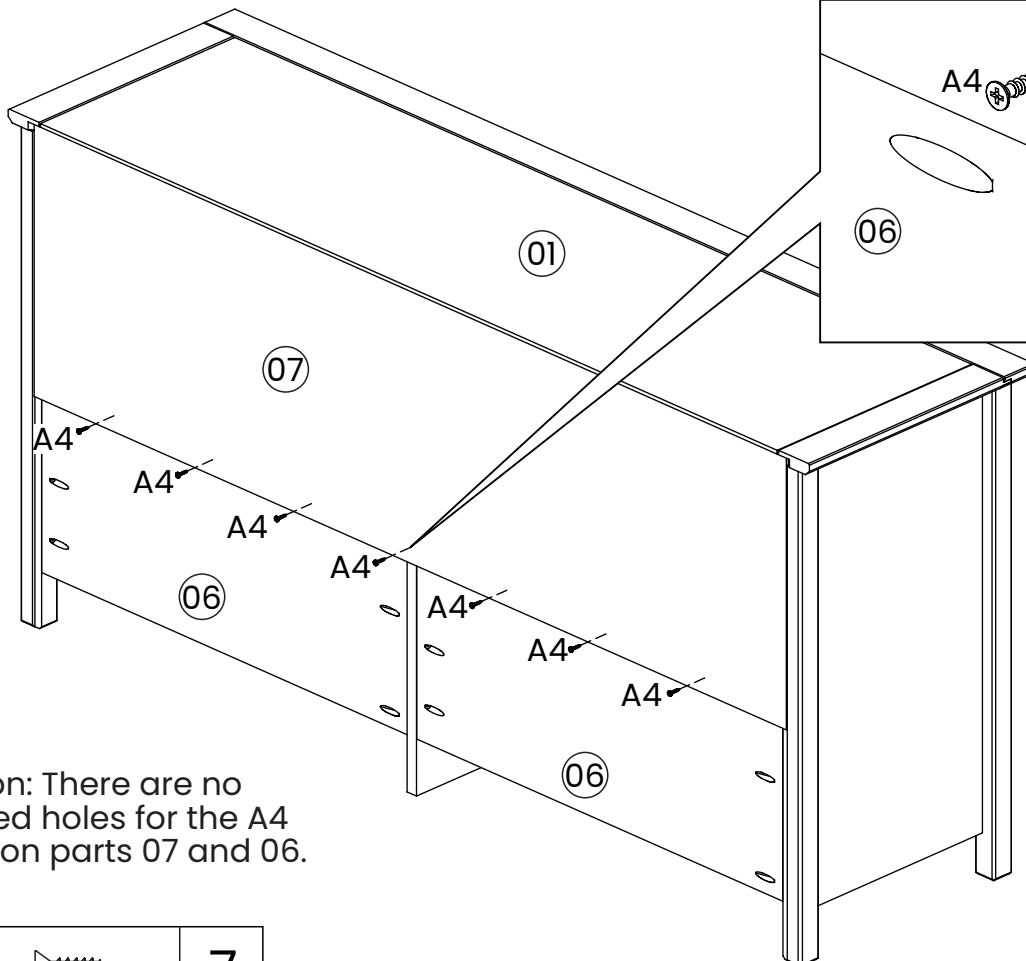
Attention: There are no predrilled holes for the A1 screws on part 01.



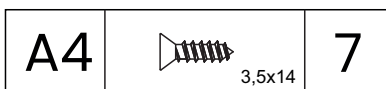
17)



18)

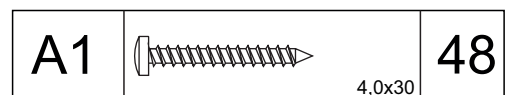
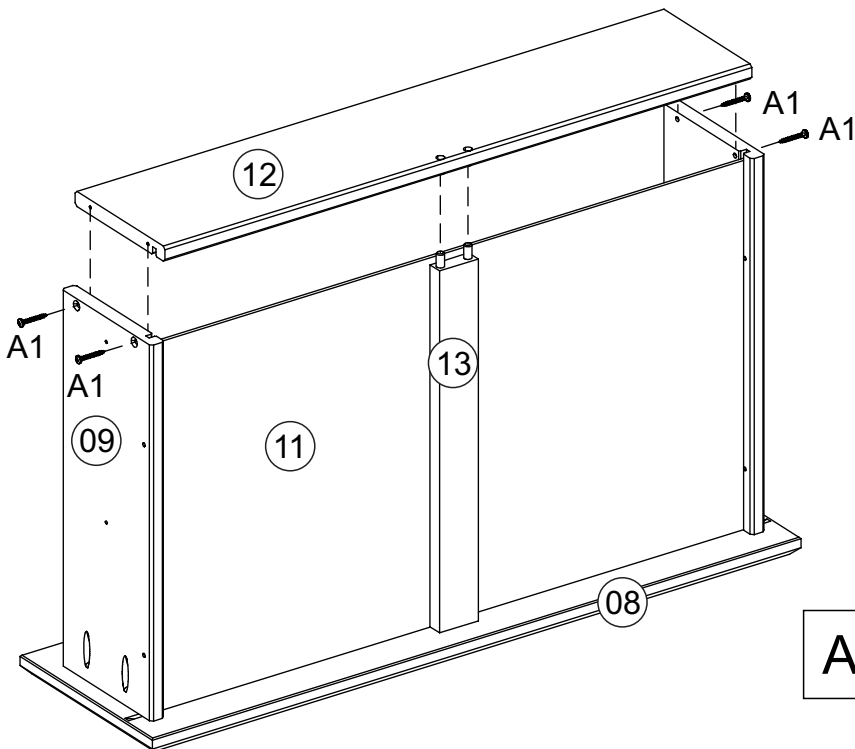
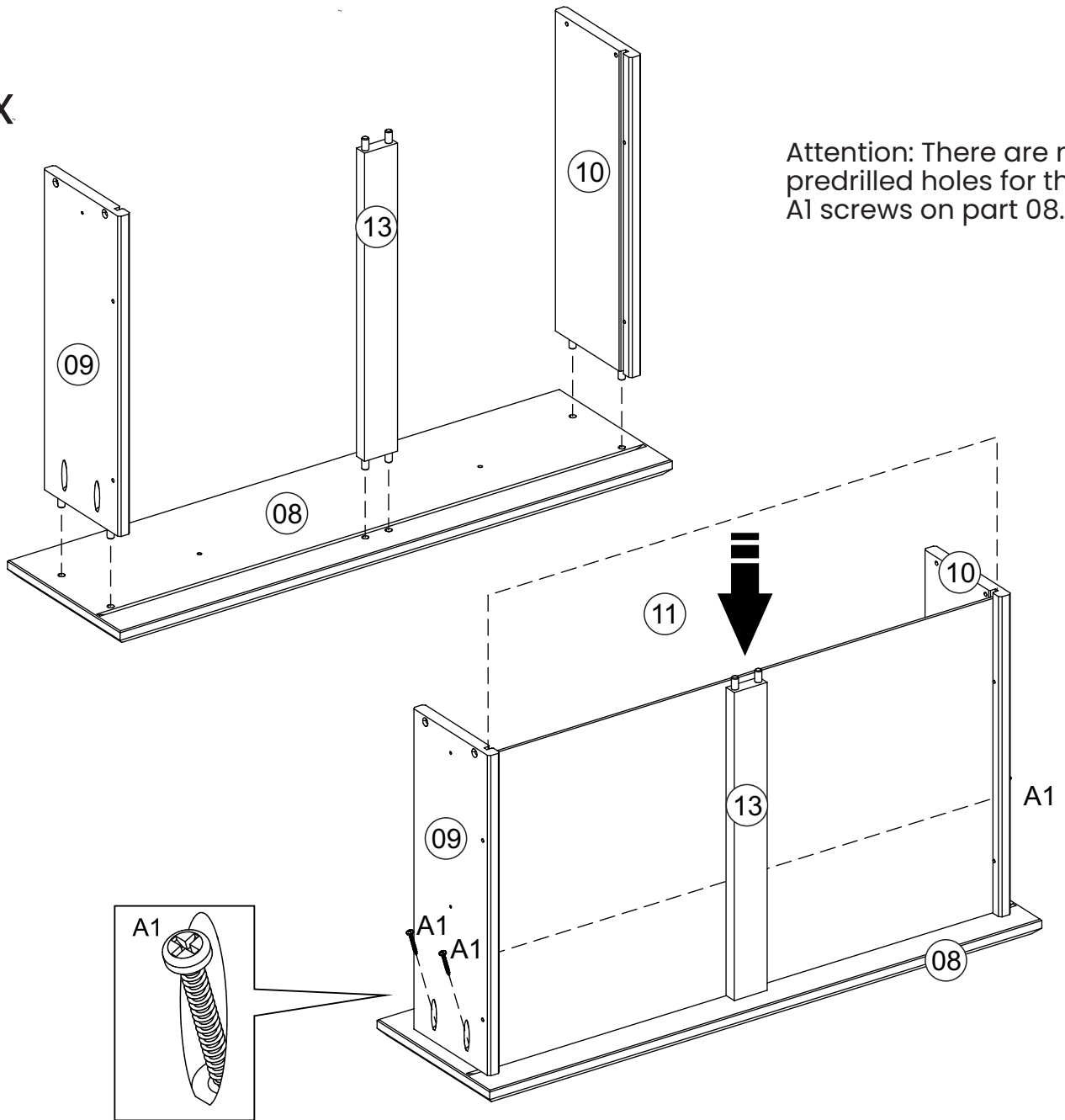


Attention: There are no predrilled holes for the A4 screws on parts 07 and 06.

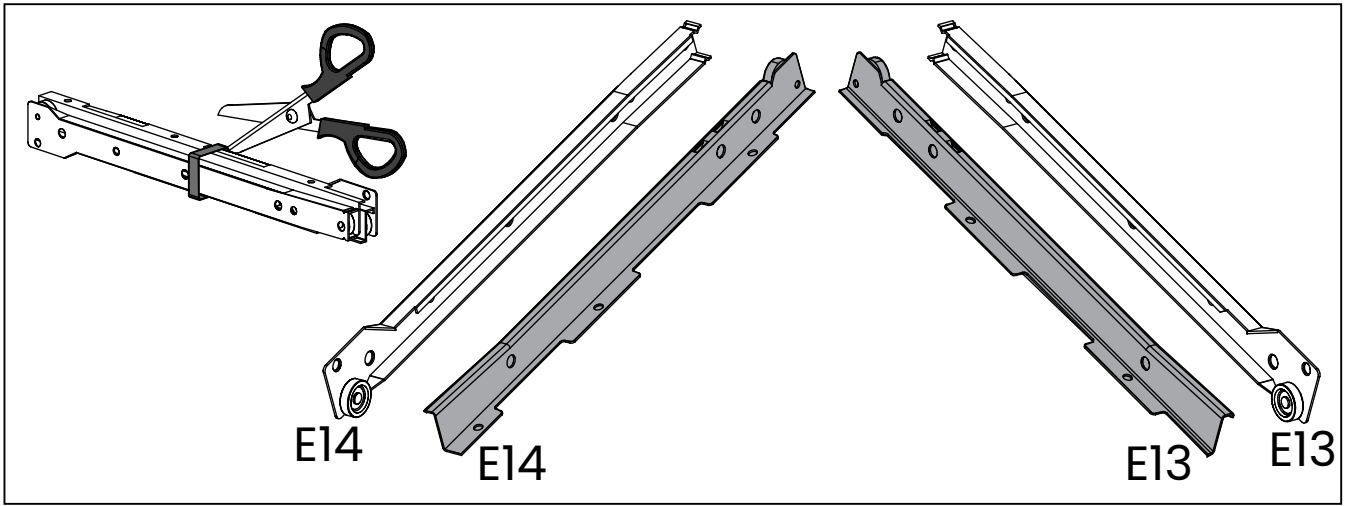


19)

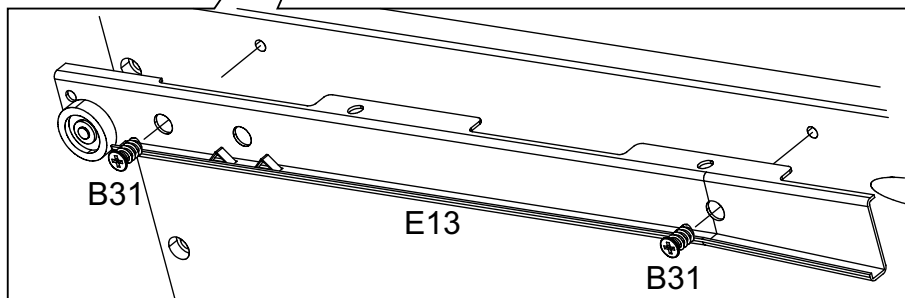
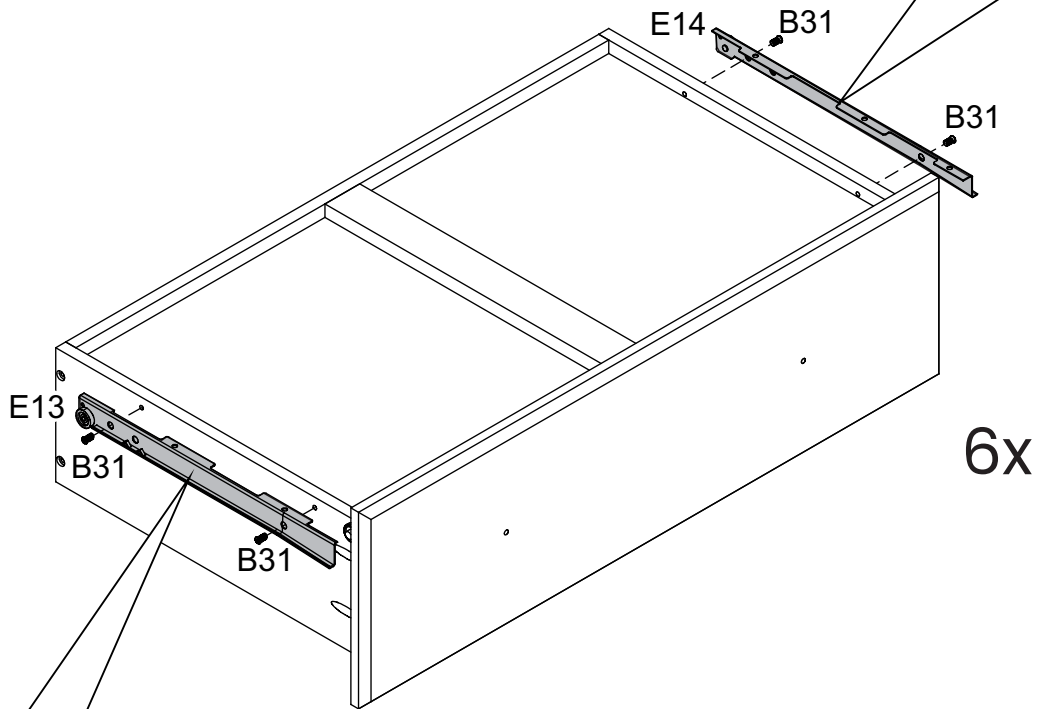
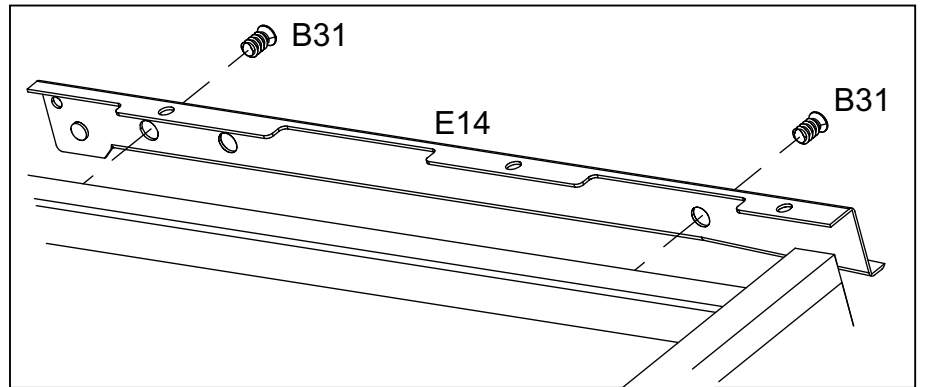
6x



20)




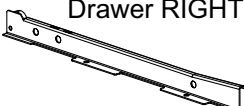
Flip the assembled drawer upside down to install glides.

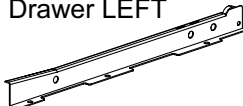


Need help?
Scan the QR code.



B31		24
6,0x10		

E13	Drawer RIGHT 	6
-----	---	---

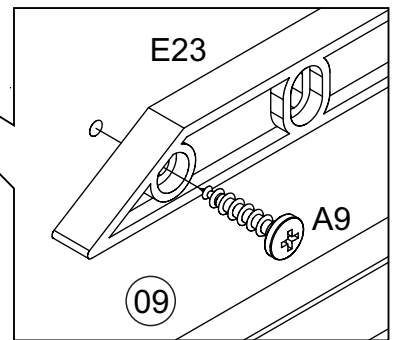
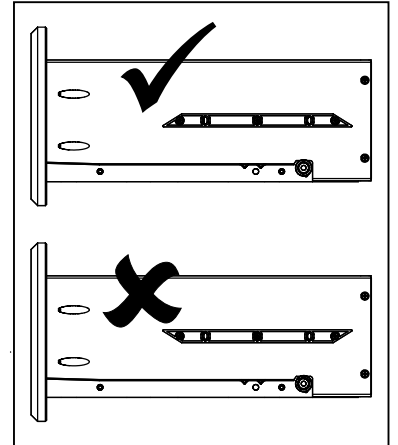
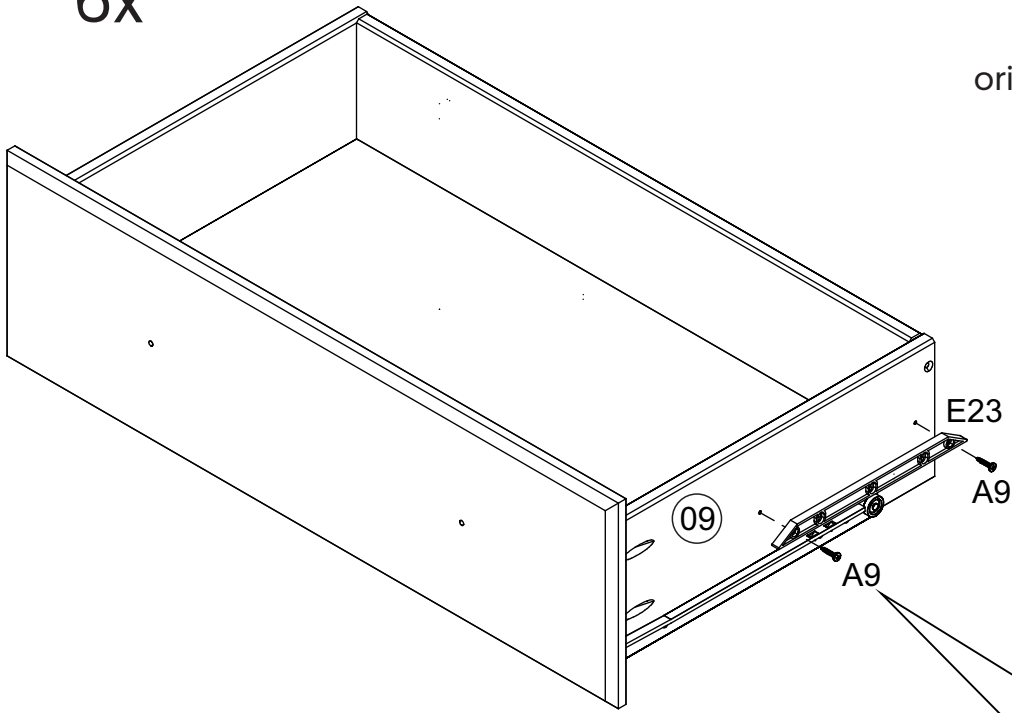
E14	Drawer LEFT 	6
-----	--	---

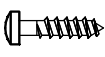
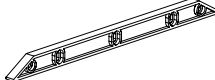
21)

6x

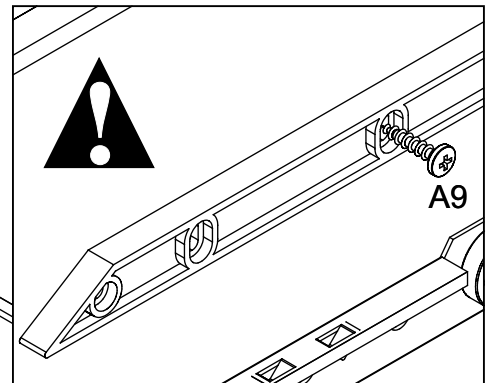
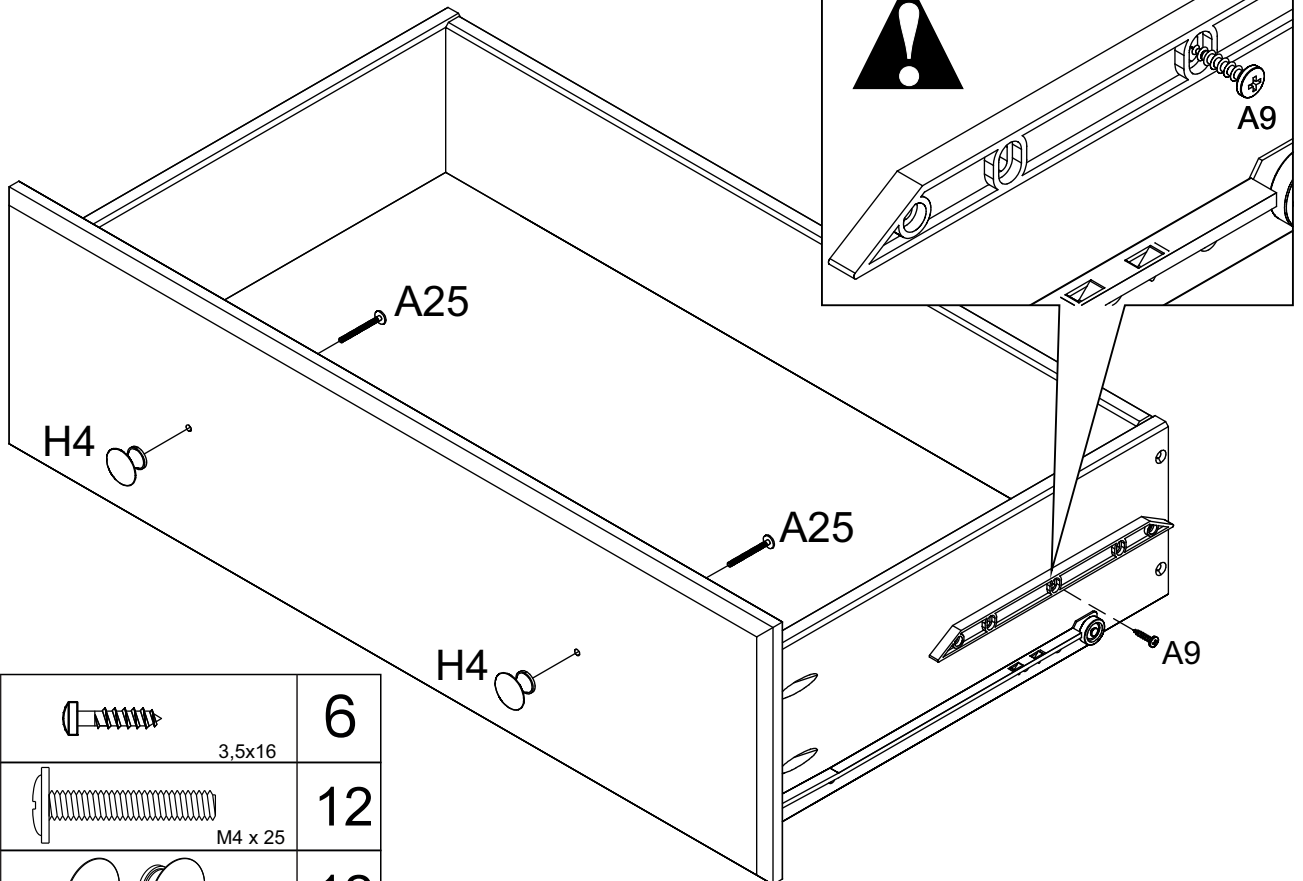


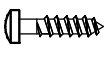
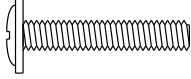

Observe the correct orientation as shown below.



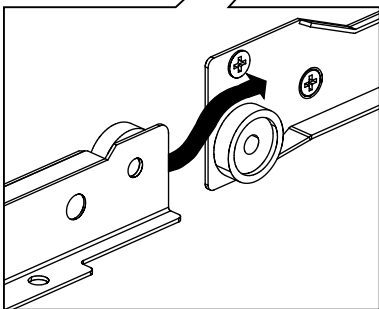
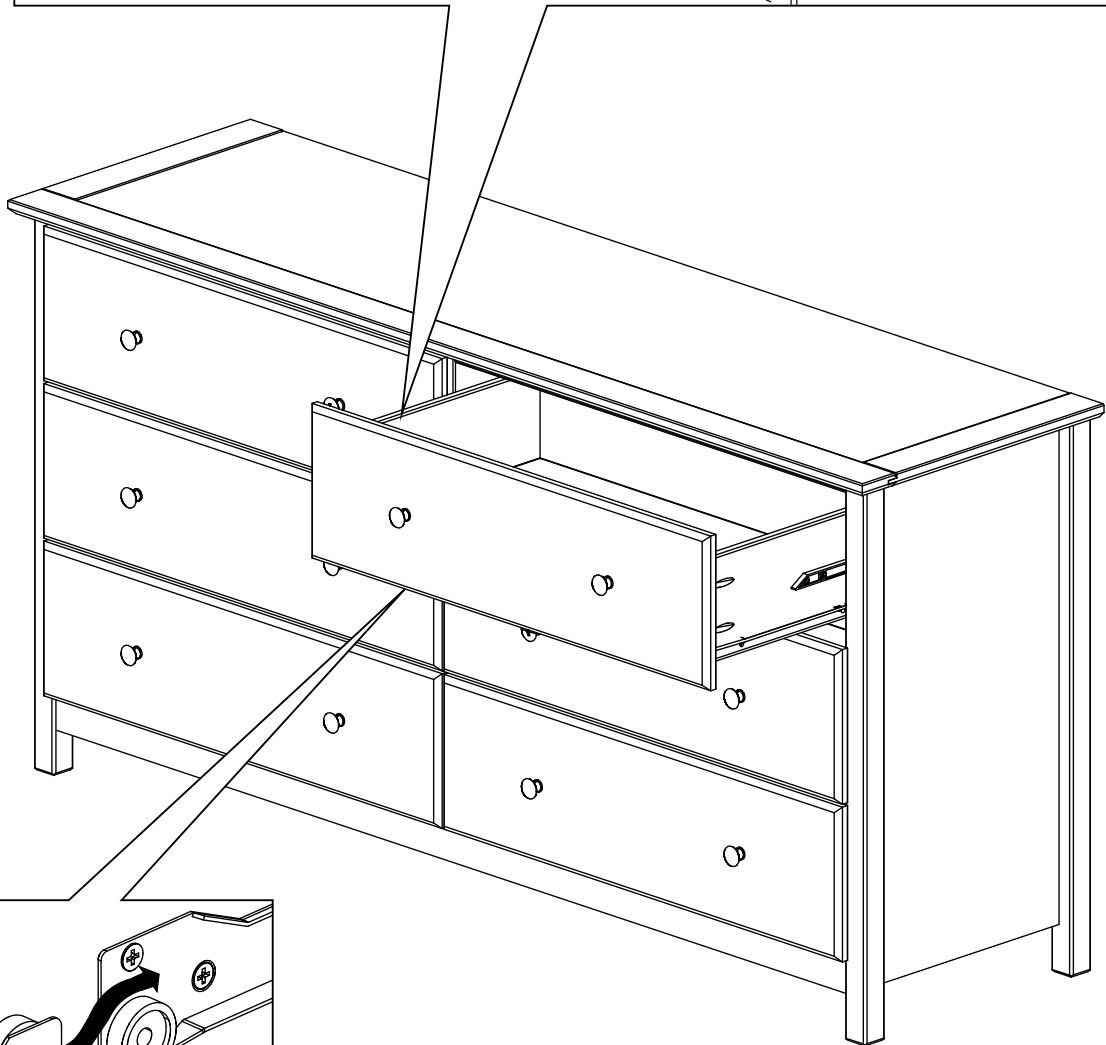
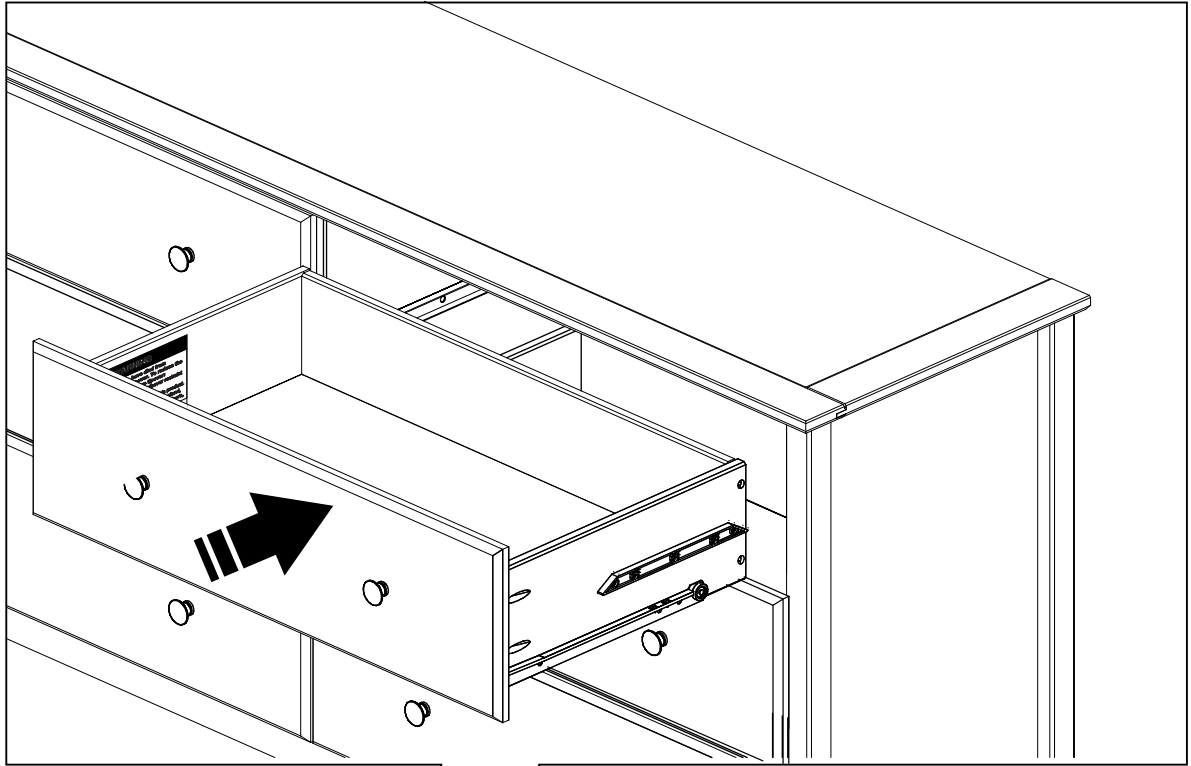
A9	 3,5x16	12	E23		6
----	---	----	-----	--	---

22) 6x



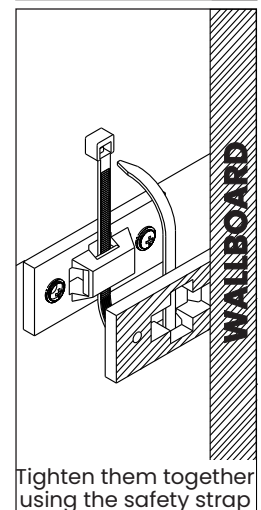
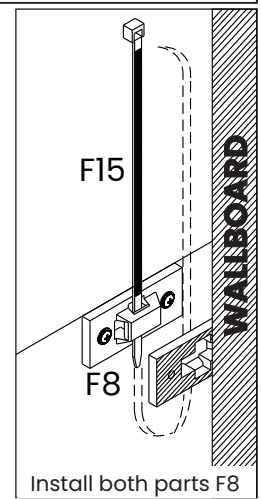
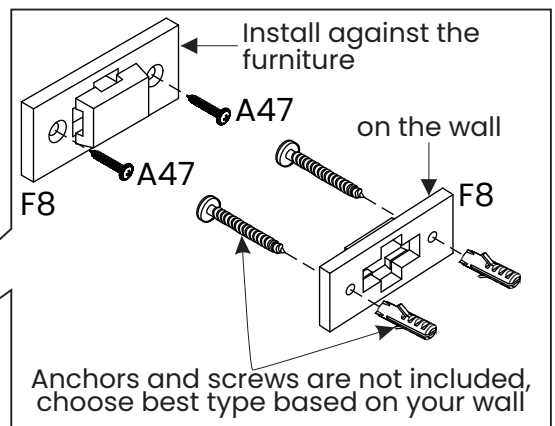
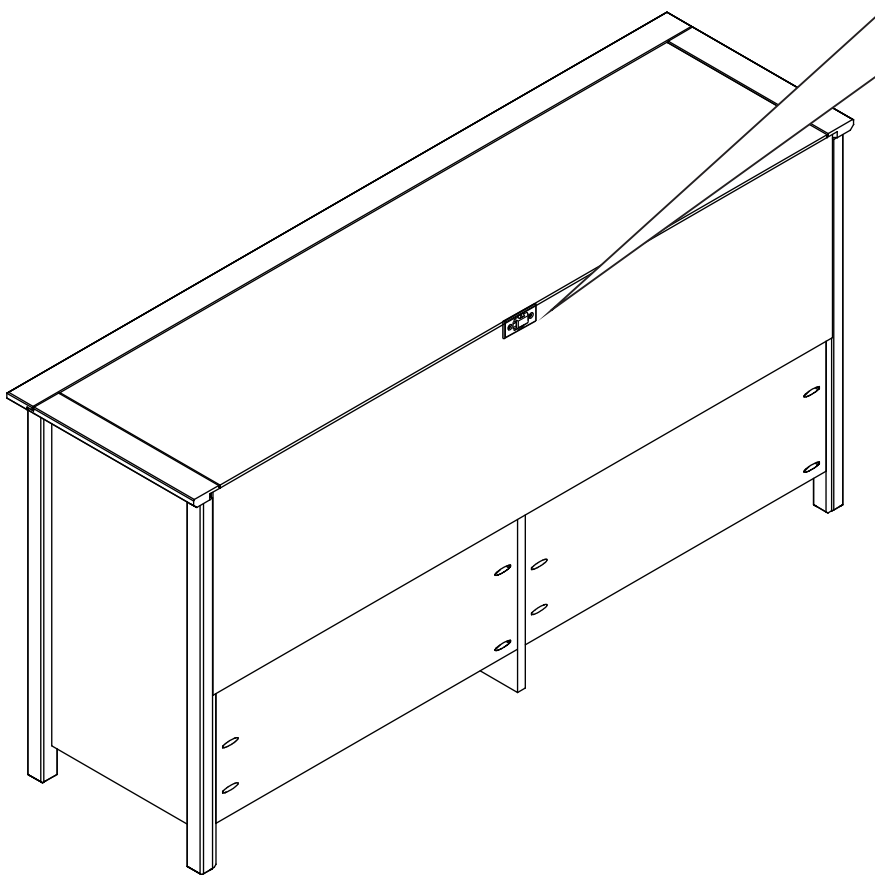
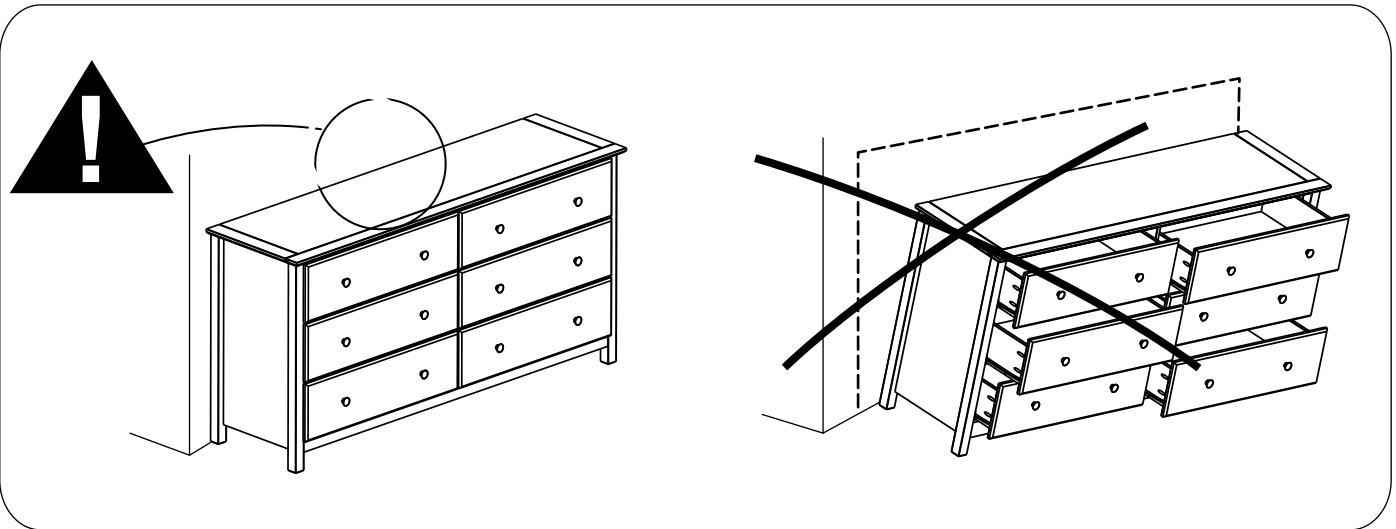
A9	 3,5x16	6
A25	 M4 x 25	12
H4		12

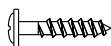
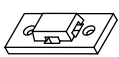

23) Place the labeled drawer in the top position



24)

ANTI-TIPPING RESTRAINT KIT



A47	 3,0x20	2
F8		2
F15		1