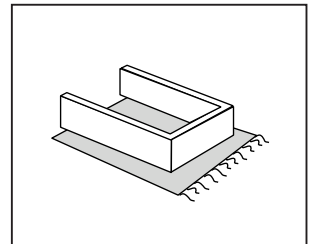
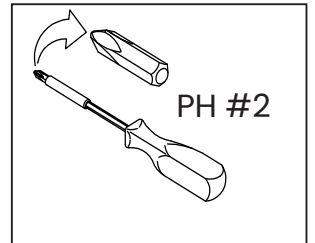
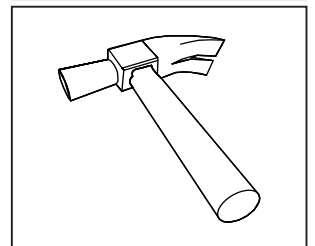
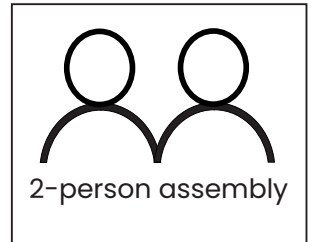
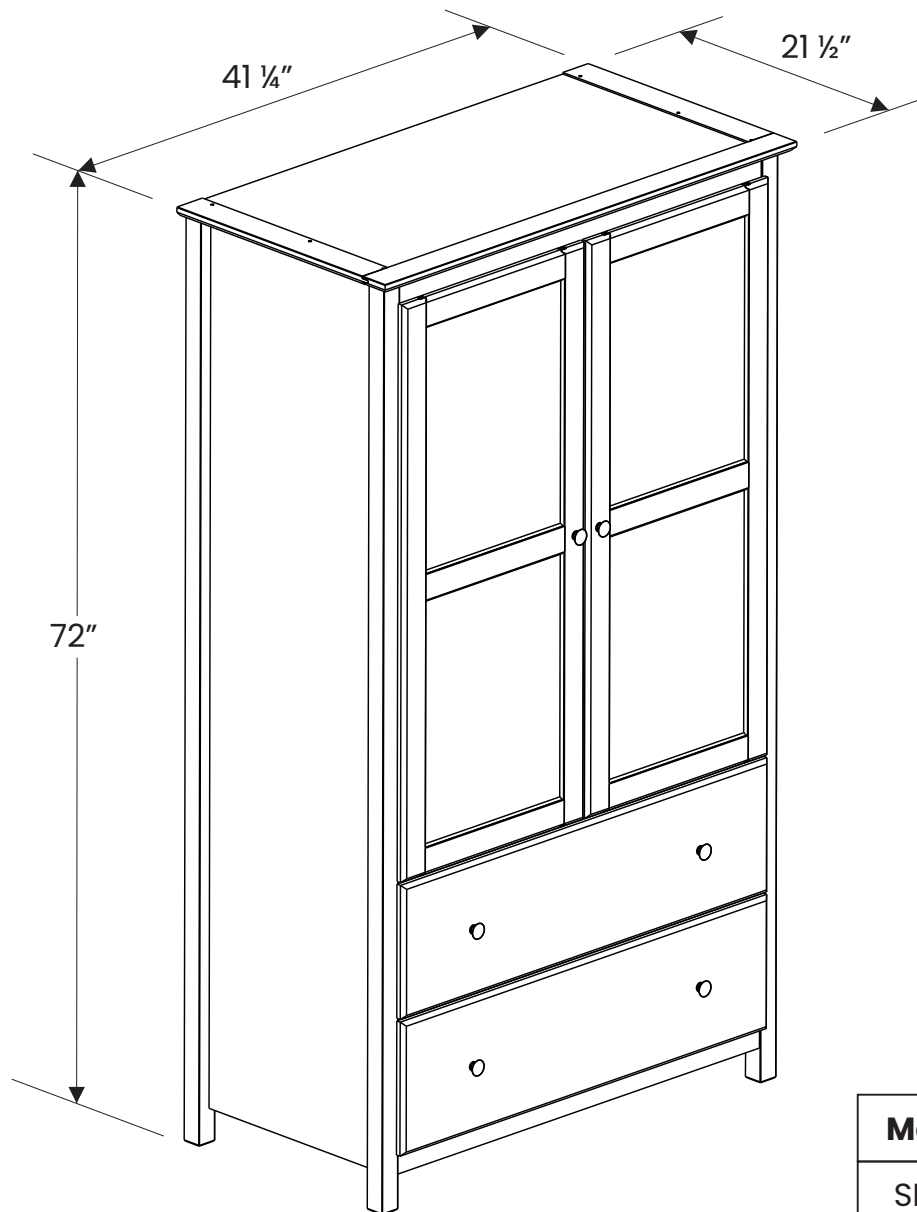


Assembly Instructions



Model #	Finish
SH0801	Cherry
SH0802	Espresso
SH0804	Walnut

Thank you for choosing Grain Wood Furniture, it is an honor to be in your home!
If you have any questions, feedback, or need replacement parts please contact us at:
grainwoodfurniture.com/help or support@grainwoodfurniture.com

Shaker Collection
2-Door Wardrobe



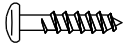

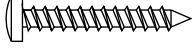



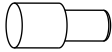

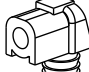
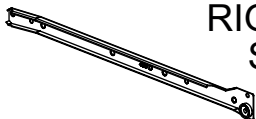
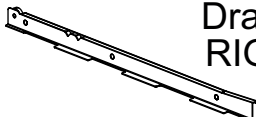
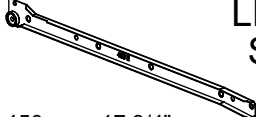

GrainWood
FURNITURE.COM





PLEASE READ BELOW BEFORE BEGINNING ASSEMBLY


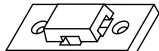

- Enlist help from a friend or family member as most items require two people for proper assembly.
- Choose a spacious, open area near where the piece will be located once assembled. It is easier to move parts than to relocate the furniture after it is fully assembled.
- Do not throw away packaging material until assembly is complete.
- Assemble the item on a soft surface, such as cardboard or an old blanket in order to protect the finish from possible dents or scratches.
- Lay out the parts in order and count them twice. In case any parts are missing or damaged, document the problem with pictures and contact support so we can make it right.
- Solid wood furniture may present imperfections such as wood knots, minor splits or cracks which are a natural aspect of the material. Whenever stability of the furniture is not compromised, we recommend customers perform cosmetic touch-ups with wax crayon fillers sold at all major hardware stores.
- It is best to use the tools provided in the box, such as a hex key, because they may be specially sized for the piece of furniture.
- We do not recommend the use of power drills as they can damage your furniture if not used correctly.
- Use a carpenter's square or hardcover book to check angles when assembling drawers and doors. If they are not at 90 degrees, they will not close properly.
- If you have any problems, we are here to help. Just go to grainwoodfurniture.com/help.
- See grainwoodfurniture.com/care-guide for suggestions that will help your furniture last for years.

Enjoy your 100% solid wood furniture!

HARDWARE LIST

A1	 4,0x30	34 + 2
A4	 3,5x14	8 + 1
A9	 3,5x16	41 + 2
A16	 4,0x40	6 + 1
A18	 4,0x25	2 + 1
A25	 M4x25	6 + 1
B31	 6,0x10	20 + 1
C2	 8,0x25	44 + 2
D4	 metal	4 + 1
D10		2
D21		2 + 1
E17	 RIGHT Side 450mm - 17 3/4"	2
E17	 Drawer RIGHT 450mm - 17 3/4"	2
E18	 LEFT Side 450mm - 17 3/4"	2
E18	 Drawer LEFT 450mm - 17 3/4"	2

F10		6
G1	 10x10	30 + 2
G11		4
H4		6

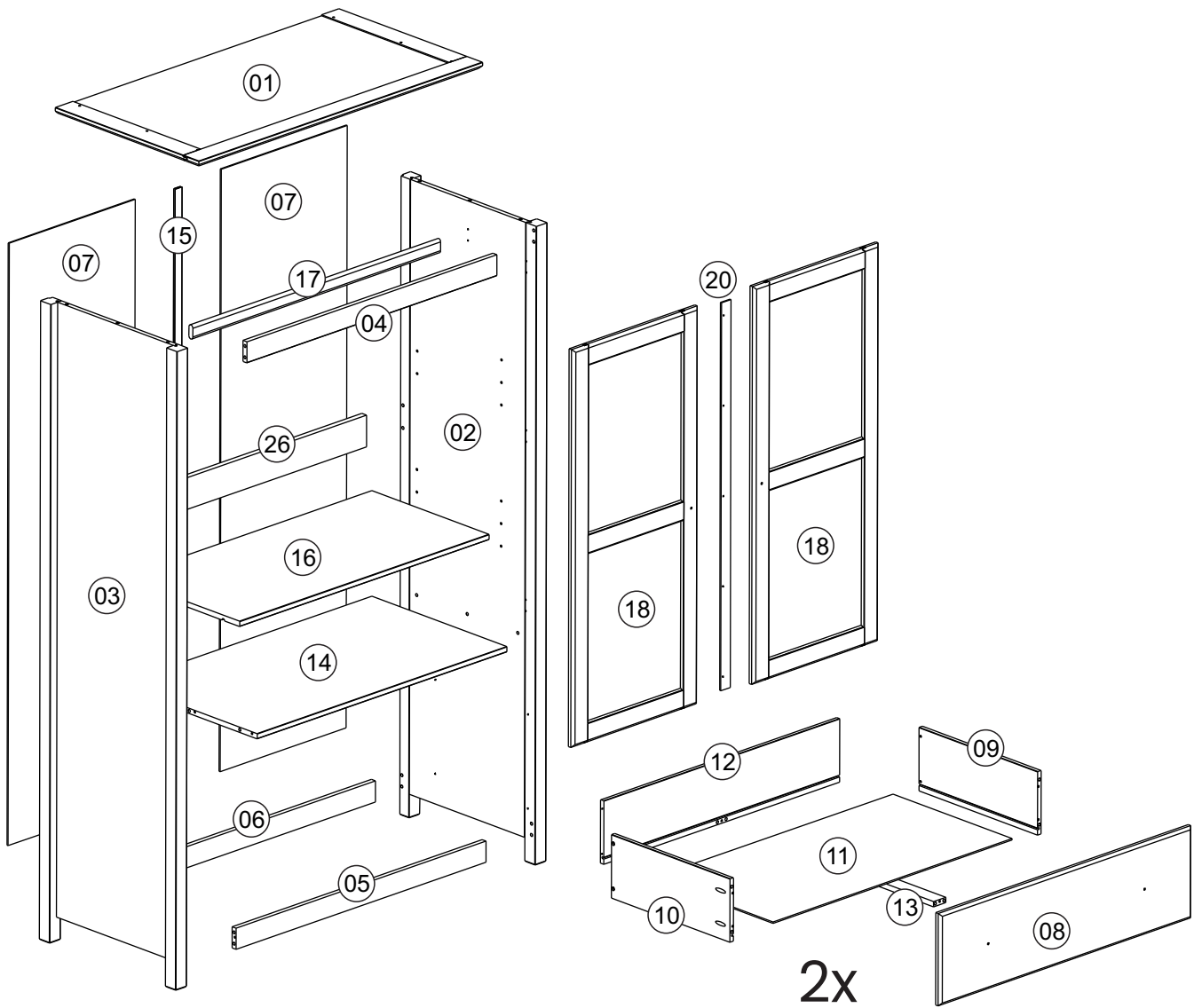
ANTI-TIPPING RESTRAINT KIT		
A8	 3,0x20	2 + 1
F8		2
F9		1

ATTENTION

Before starting assembly please verify the hardware set is complete.

For missing hardware please contact us at grainwoodfurniture.com/help

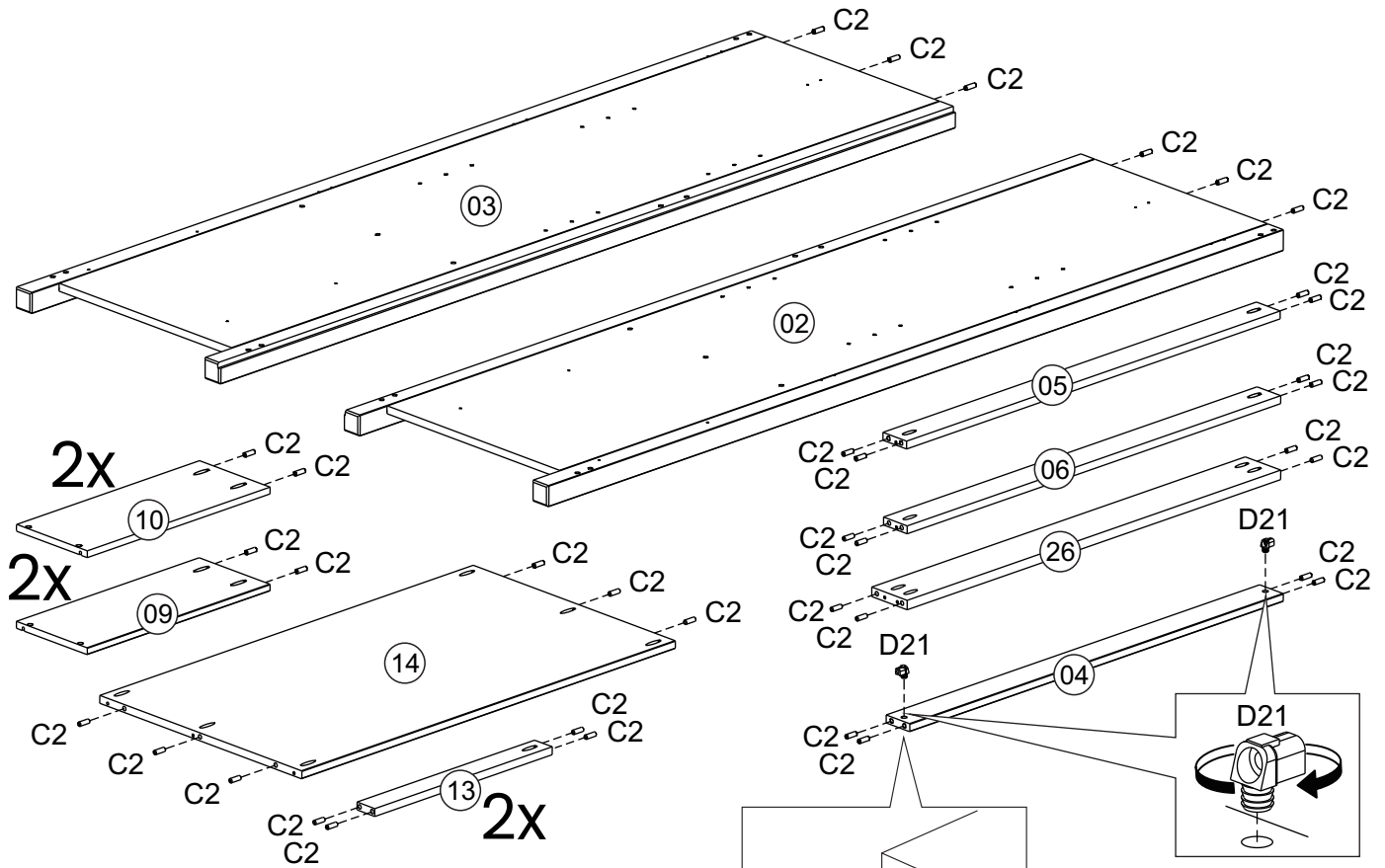
WARNING:
CHOKING HAZARD
Small parts, not for children.
To be assembled by an adult.





BOX A - 1 of 2		
Part #	Description	Qty.
01	Top	1
02	Right side	1
03	Left side	1
07	Back panel	2
15	Profile "H"	1
20	Door stop	1

BOX B - 2 of 2		
Part #	Description	Qty.
04	Upper crosspiece	1
05	Lower crosspiece	1
06	Rear crosspiece	1
08	Drawer front	2
09	Drawer right side	2
10	Drawer left side	2
11	Drawer bottom	2
12	Drawer back	2
13	Drawer bottom support	2
14	Fixed shelf	1
16	Wide shelf (adjustable)	1
17	Hanging bar	1
18	Door - short	2
26	Long stabilizer	1
HW	Hardware	1

1)

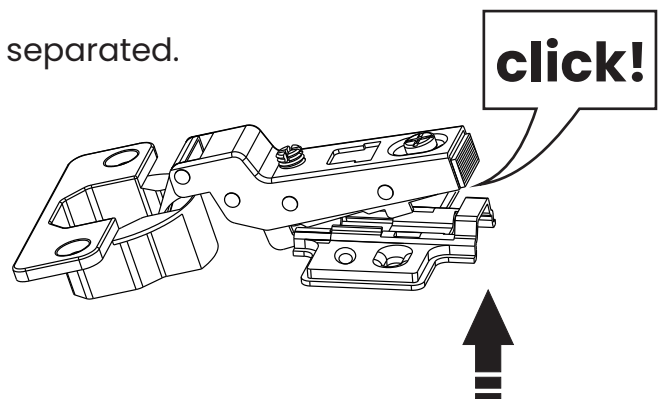
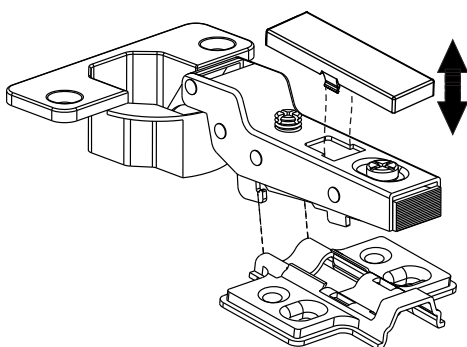


C2	 8,0x25	44
D21		2

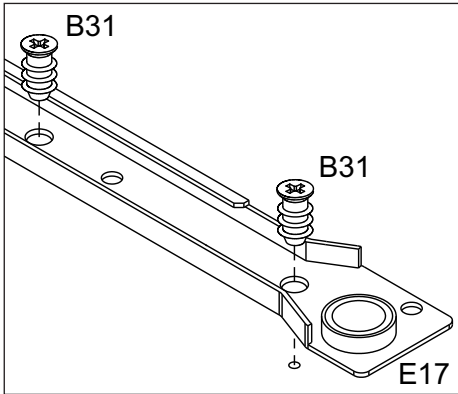
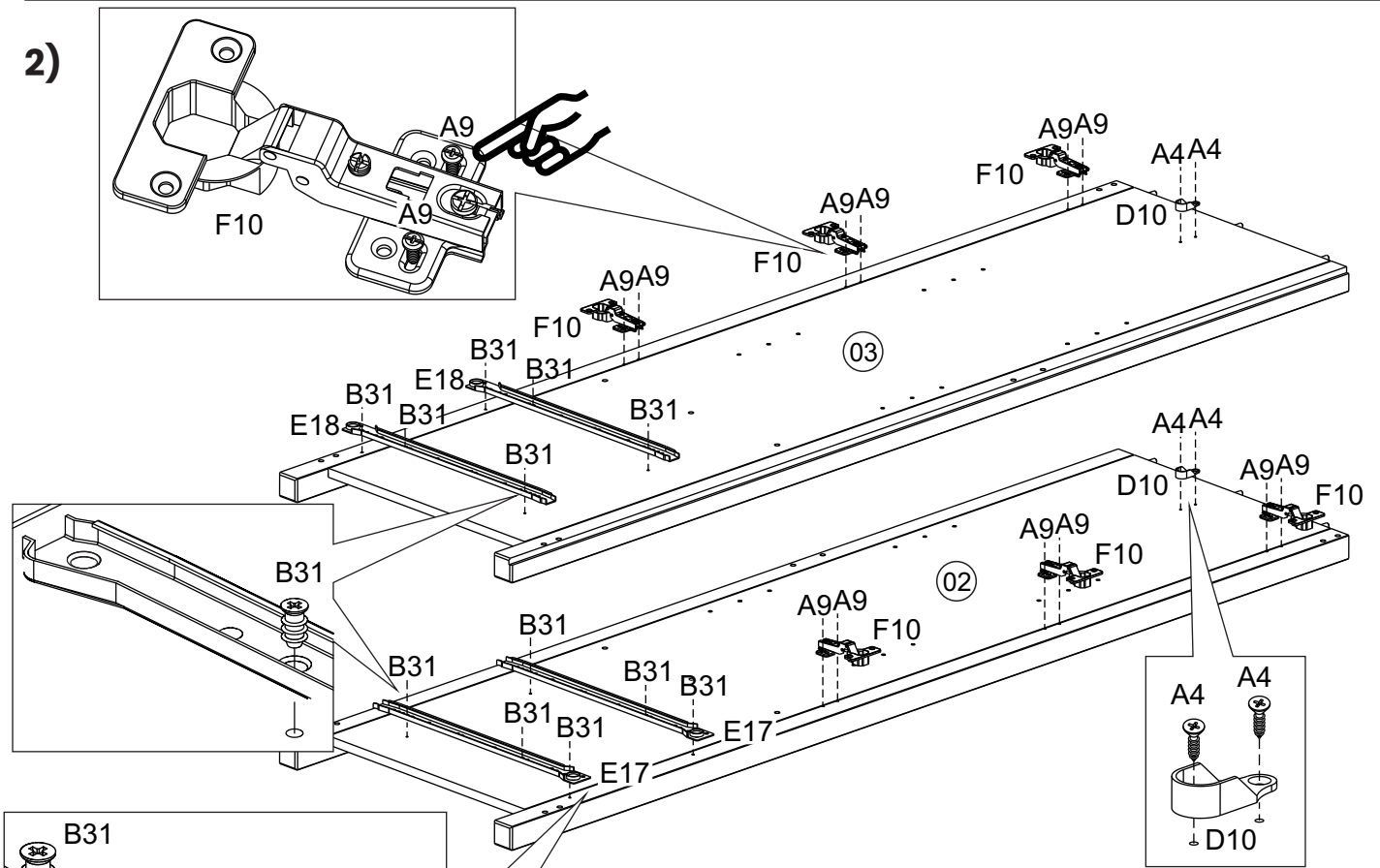
Tip :
Use a hammer in case dowels
are hard to install by hand.

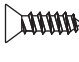




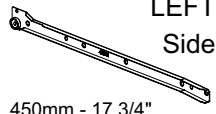

ATTENTION PLEASE!

Attach hinge (F10) to hinge plate if it comes separated.
Push hinge against plate until it clicks.

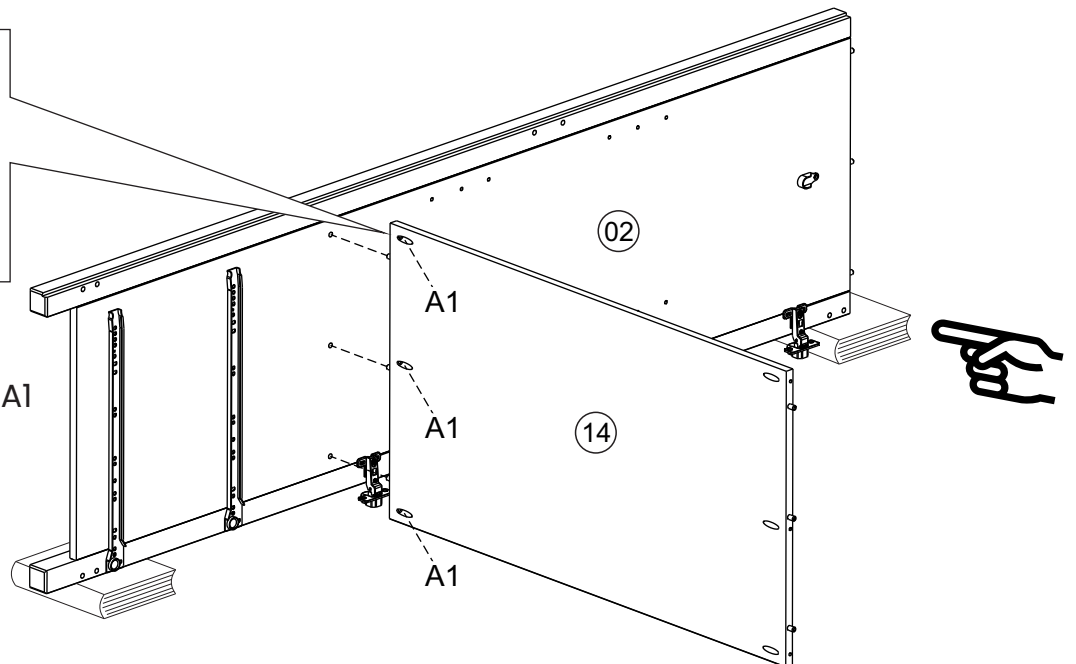
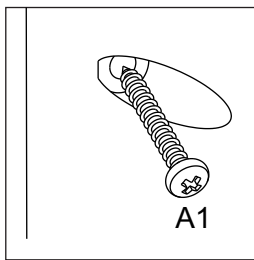


2)




A4		4		
	3,5x14			
A9		12		
	3,5x16			
B31		12		
	6,0x10			
D10		2		
E17		2	RIGHT Side	
	450mm - 17 3/4"			
E18		2	LEFT Side	
	450mm - 17 3/4"			
F10		6		

3)

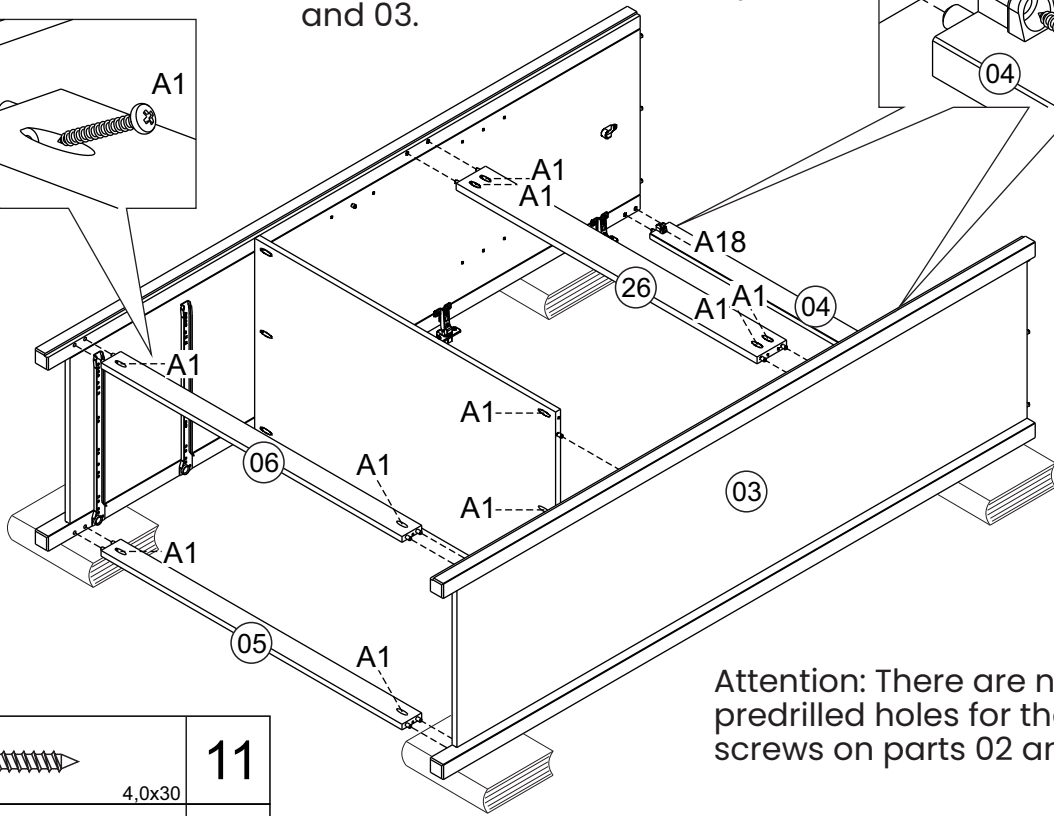
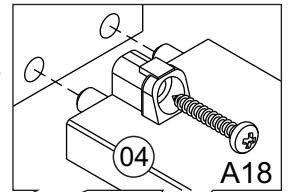
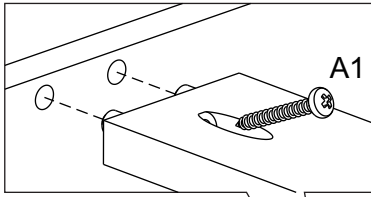


Attention: There are no predrilled holes for the A1 screws on part 02.


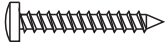
A1		3
	4,0x30	

4)

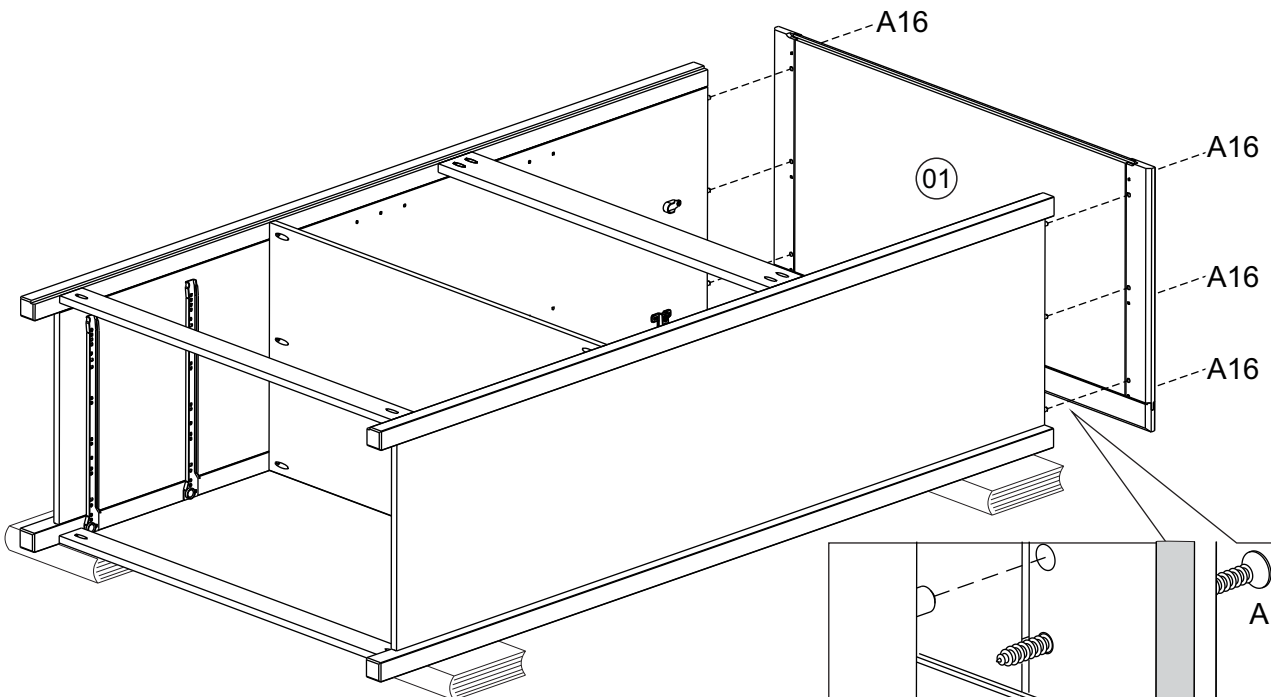
Attention: There are no predrilled holes for the A18 screws on parts 02 and 03.



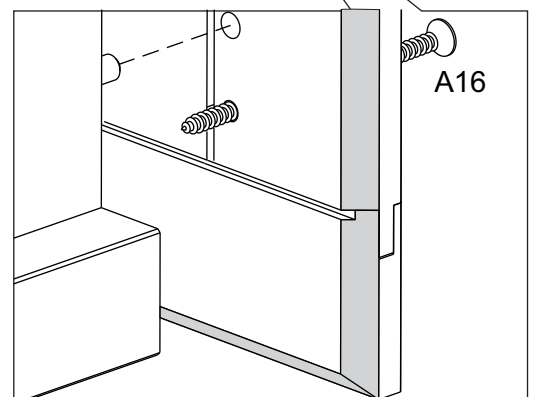
Attention: There are no predrilled holes for the A1 screws on parts 02 and 03.

A1		4,0x30	11
A18		4,0x25	2


5)



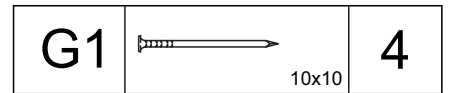
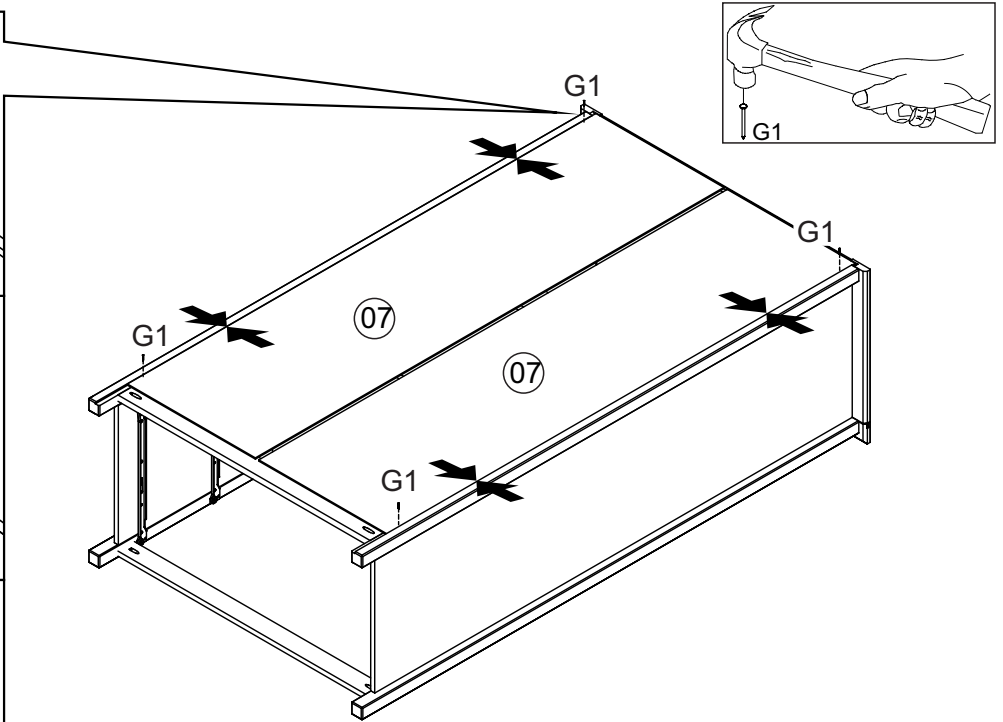
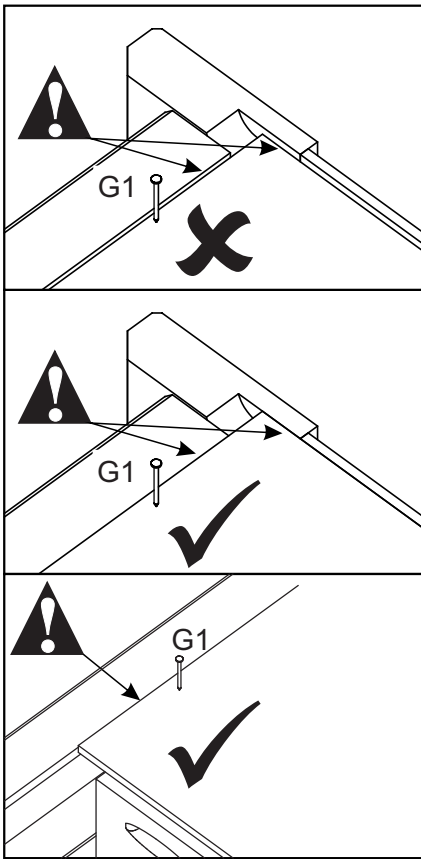
Attention: There are no predrilled holes for the A16 screws on parts 02 and 03.



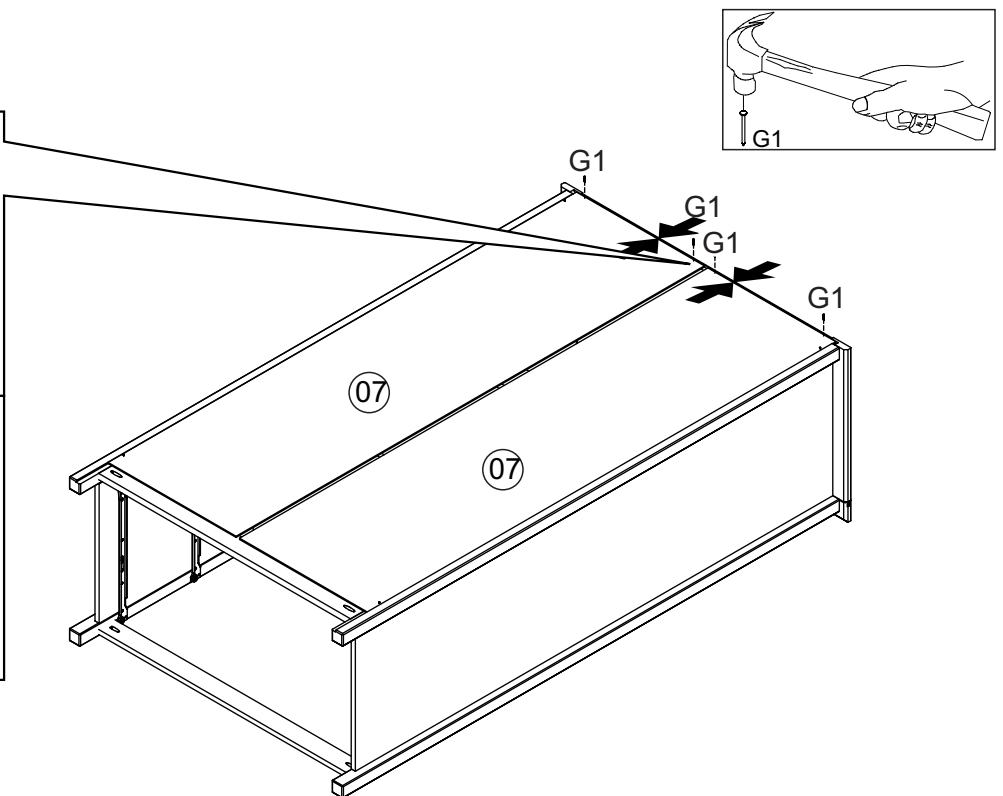
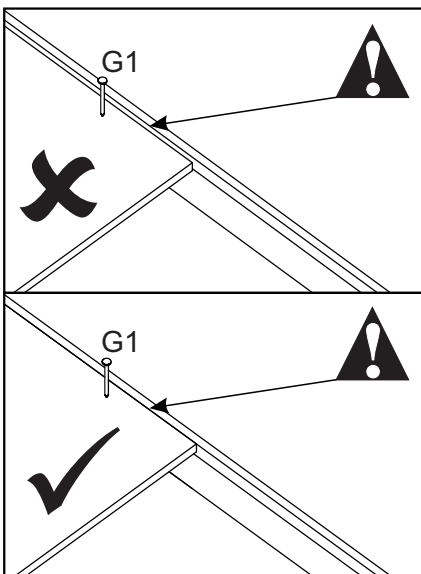
ATTENTION
Make sure the finished surface is facing the inside of the wardrobe.

A16		4,0x40	6
-----	---	--------	---

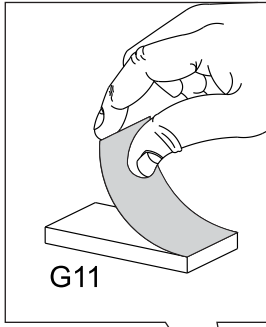
6) Make sure back panels are perfectly aligned with side panels and top and there are NO gaps.



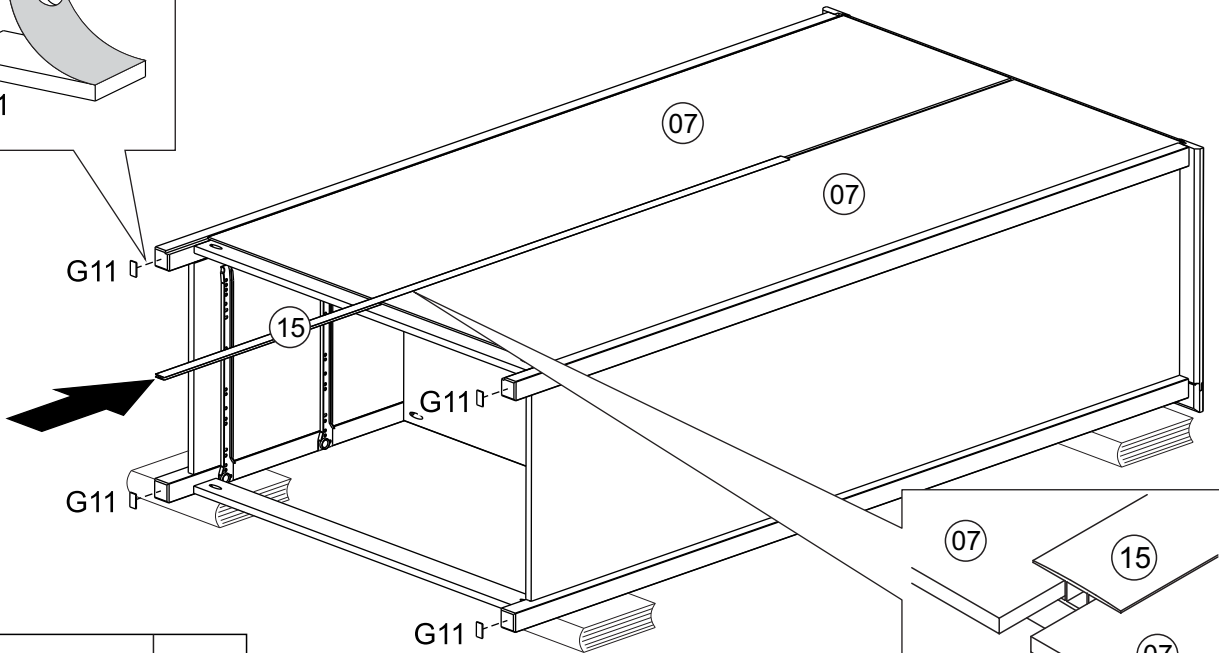
7)



8)



G11



G11

15

G11

07

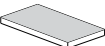
07

G11

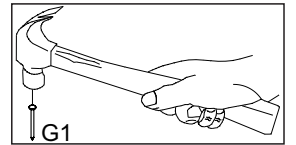
07

15

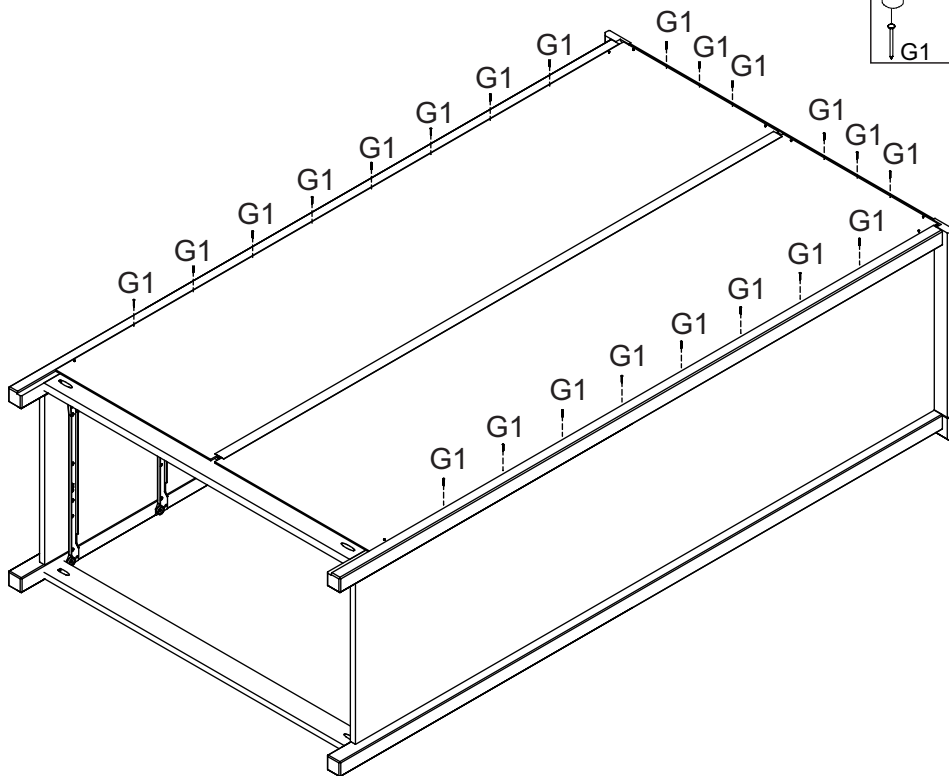
07

G11		4
-----	--	---

9)



G1

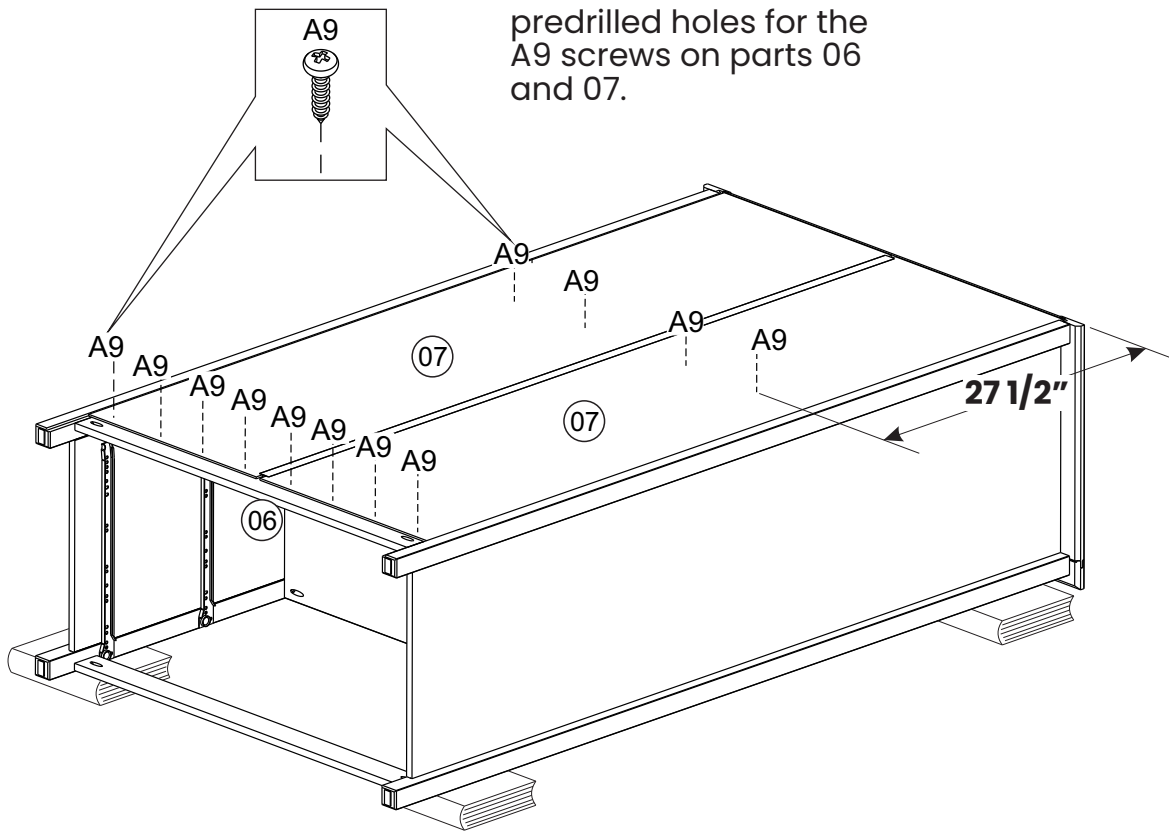



G1		22
----	---	----

10x10

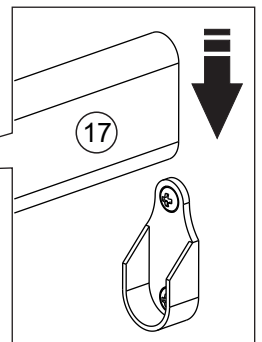
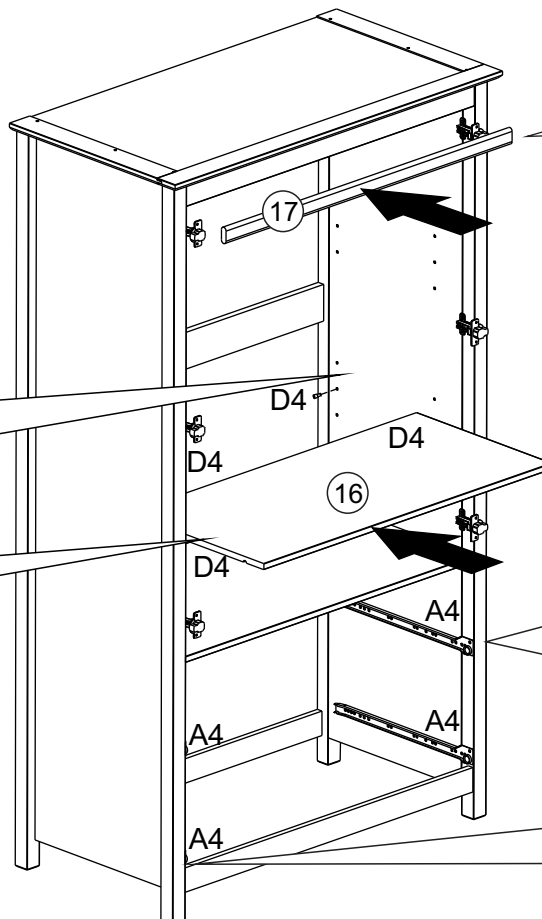
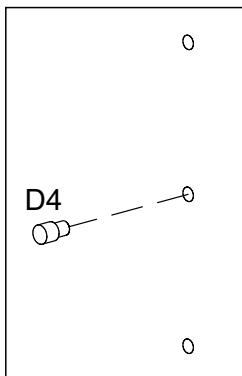
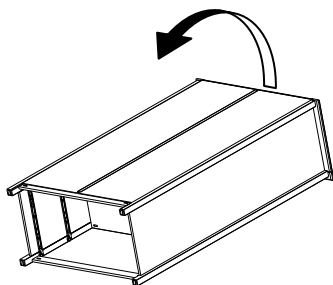
10)

Attention: There are no predrilled holes for the A9 screws on parts 06 and 07.





A9		12
	3,5x16	

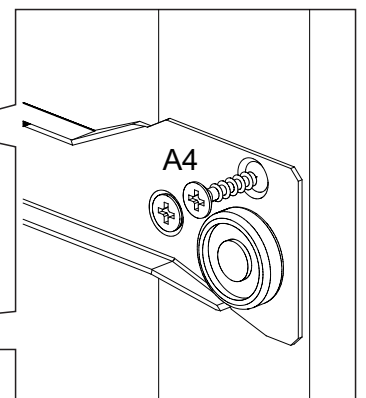
11)



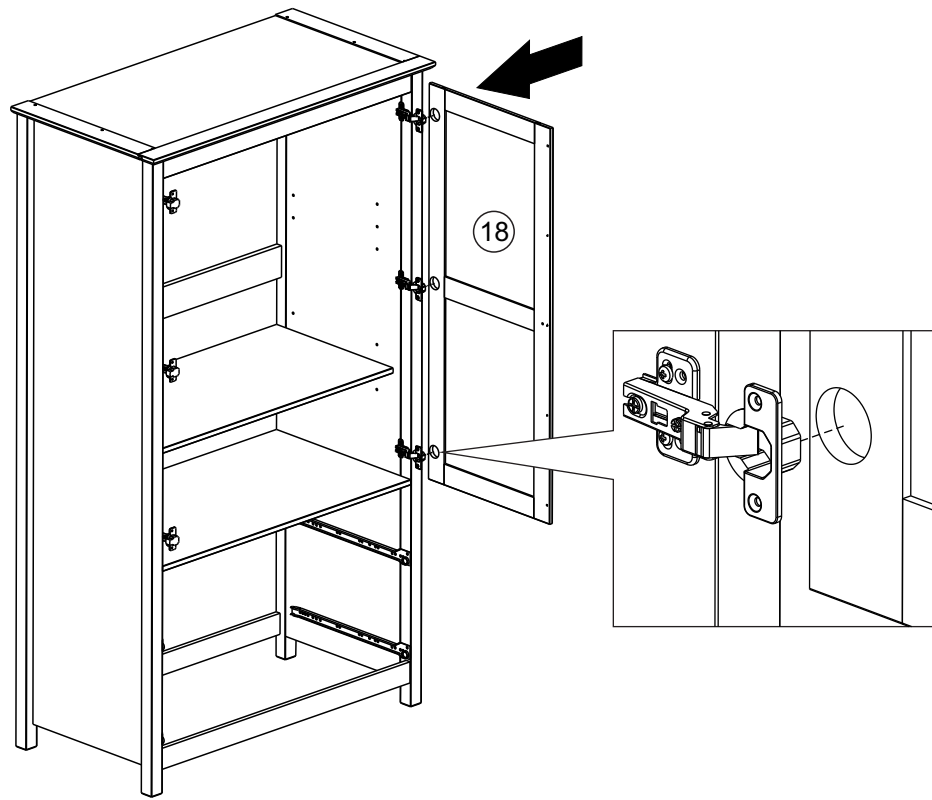
Attention: There are no predrilled holes for the A4 screws on parts 02 and 03.

Choose the desired shelf height and insert metal supports.

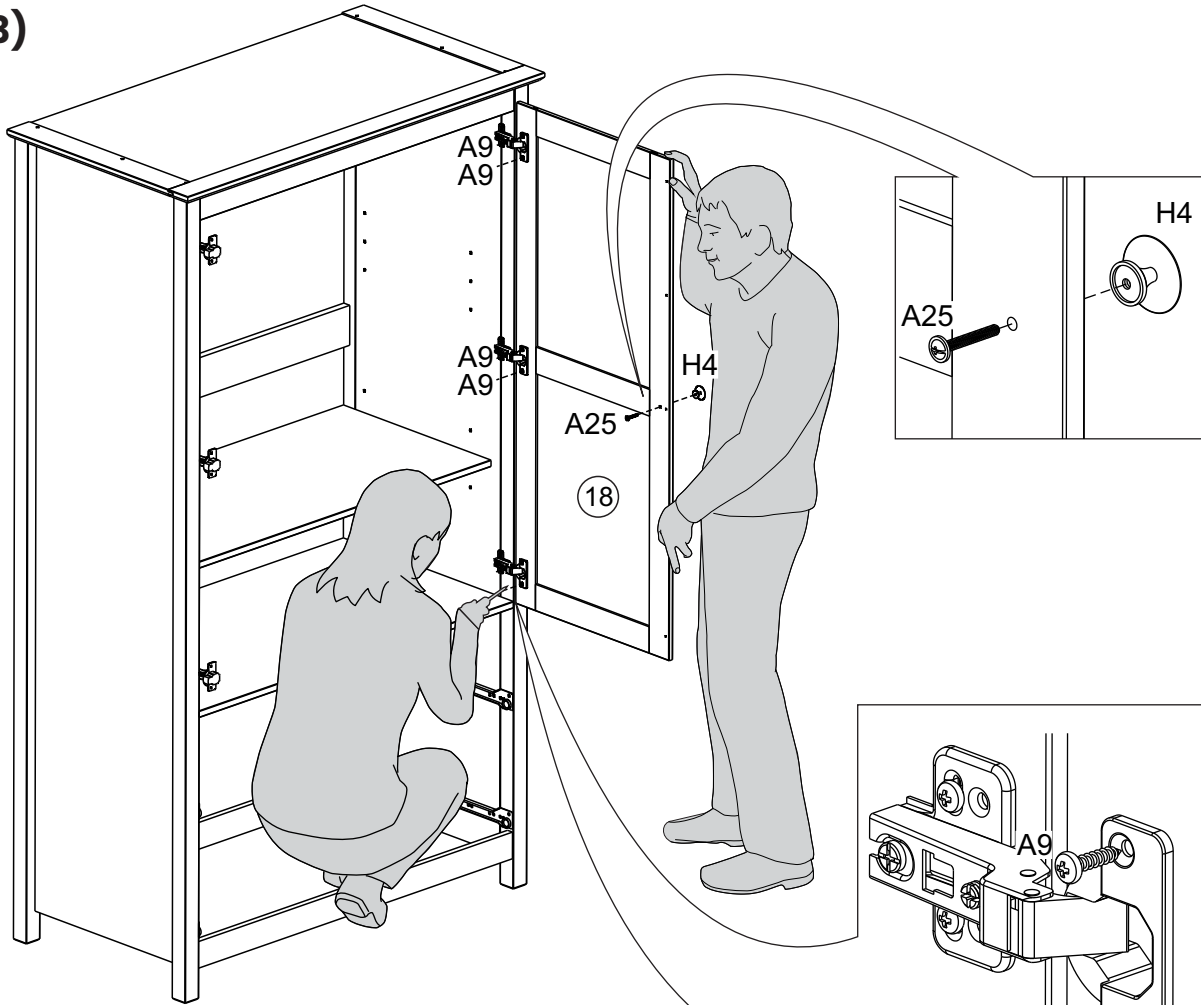
A4		4
	3,5x14	
D4		4
	metal	

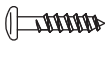

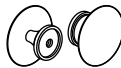


12)

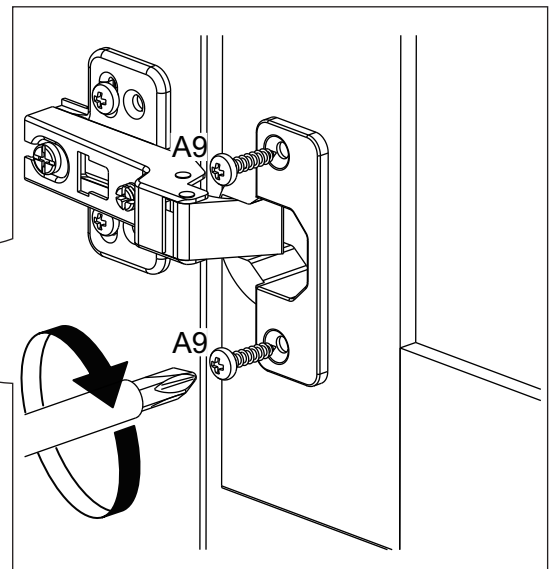


13)

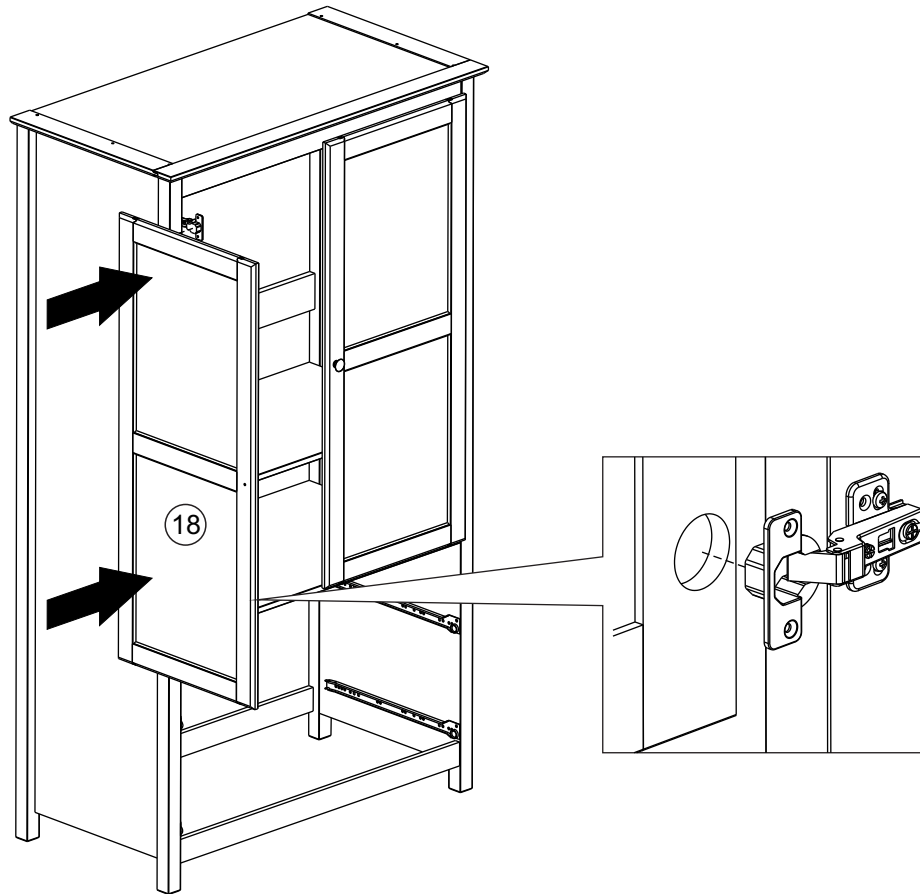


A9	 3,5x16	6
A25	 M4x25	1
H4		1

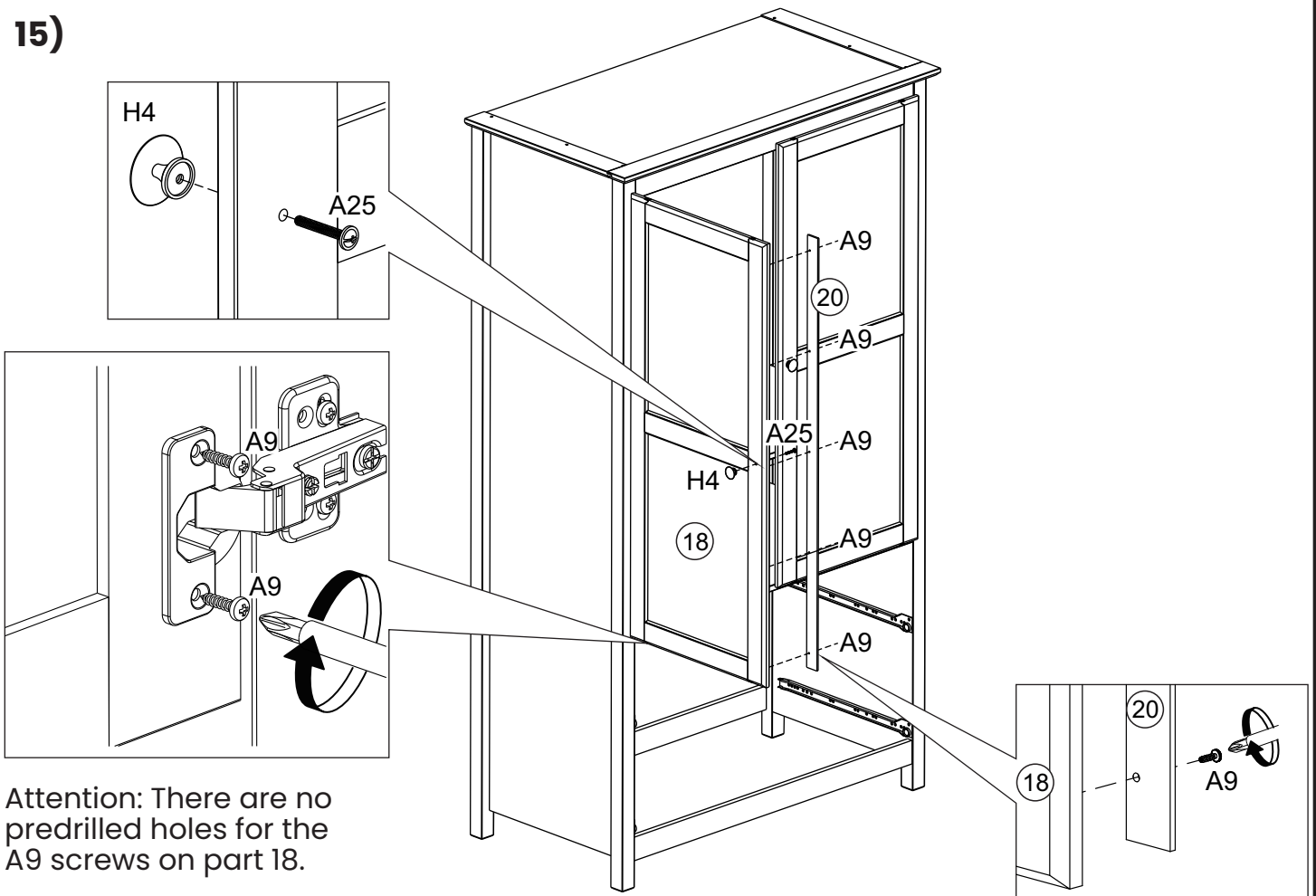
Attention: There are no predrilled holes for the A9 screws on part 18.






14)



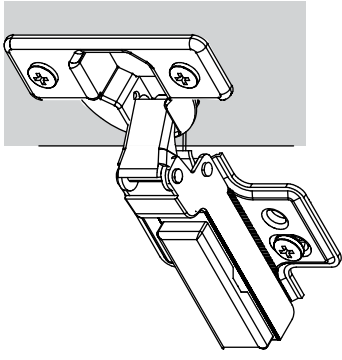
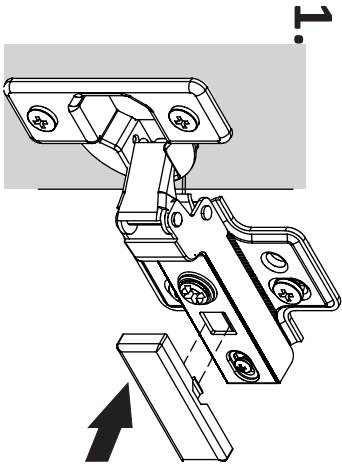
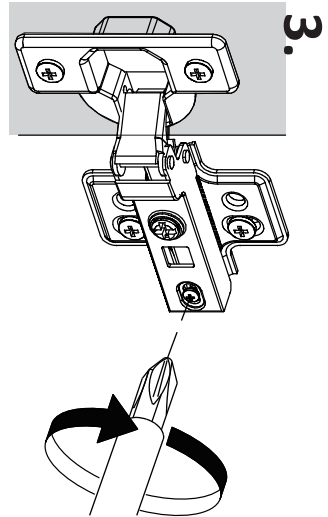
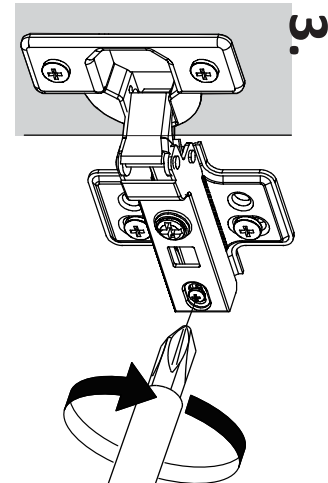
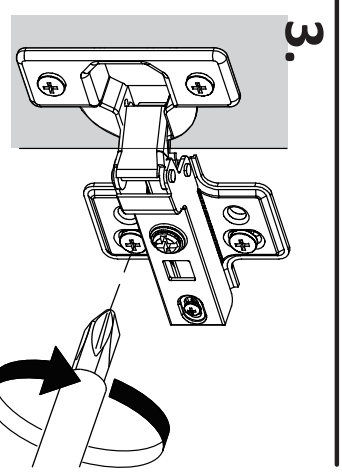
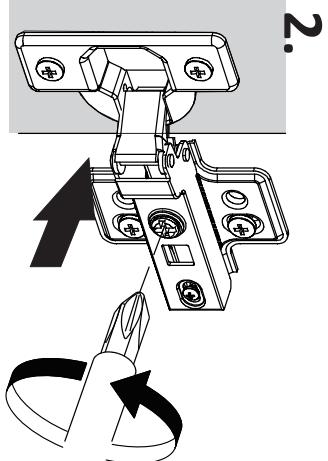
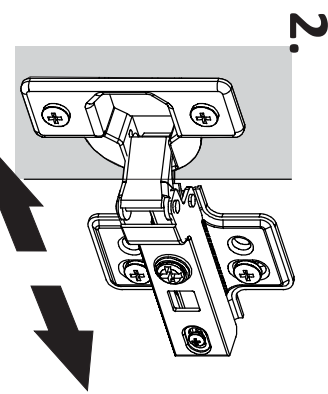
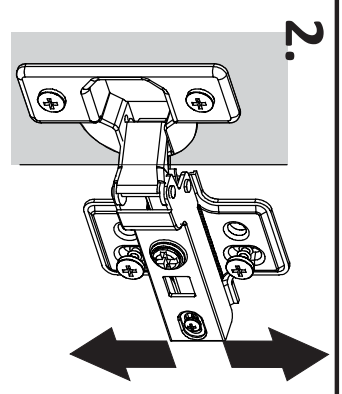
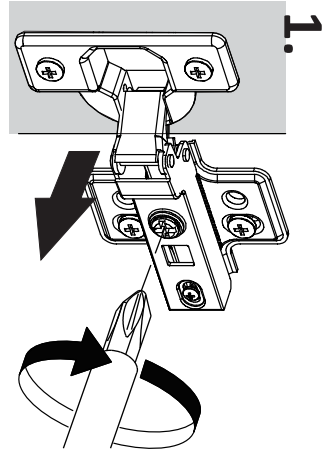
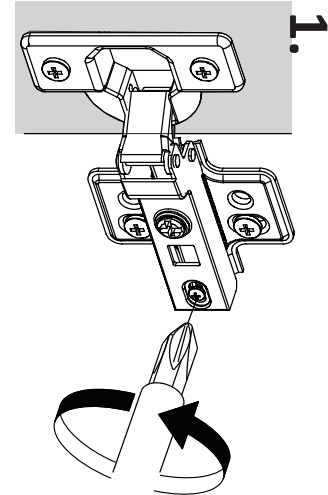
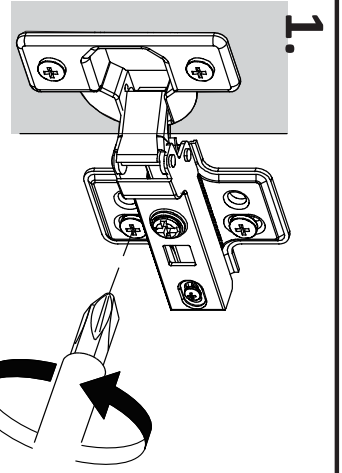
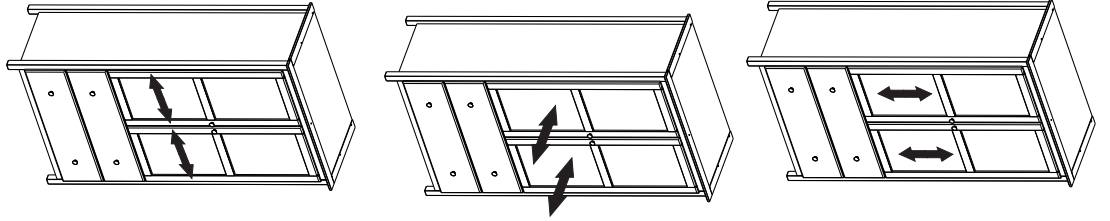
15)



Attention: There are no predrilled holes for the A9 screws on part 18.

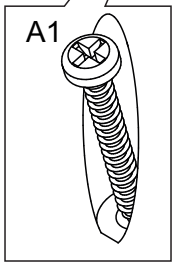
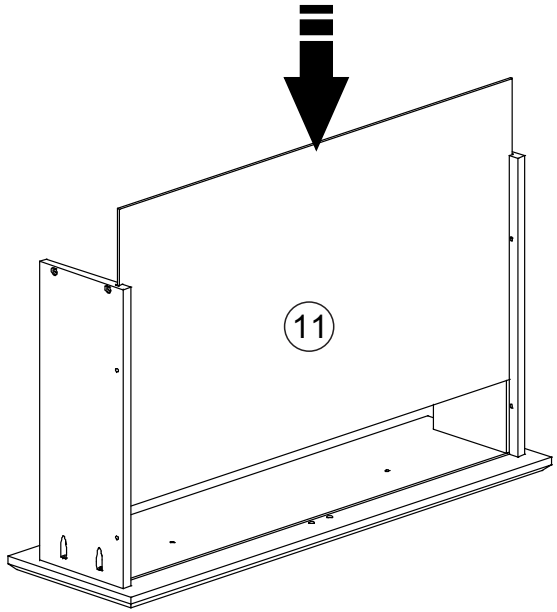
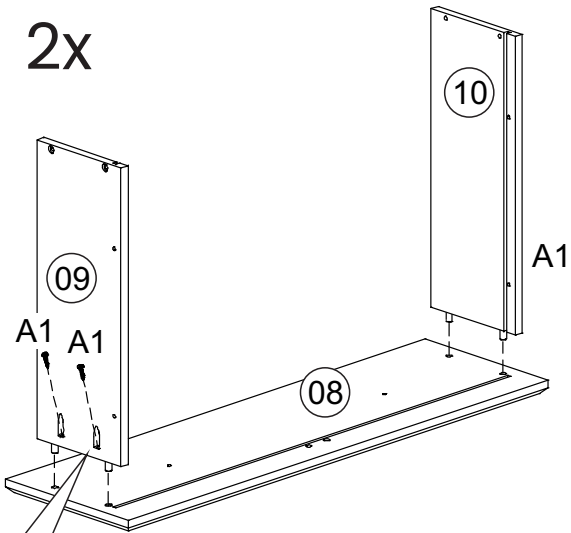
A9	 3,5x16	11	A25	 M4x25	1	H4		1
----	---	----	-----	--	---	----	---	---

16)

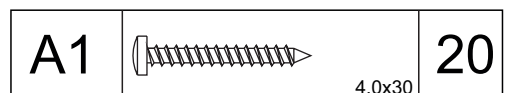
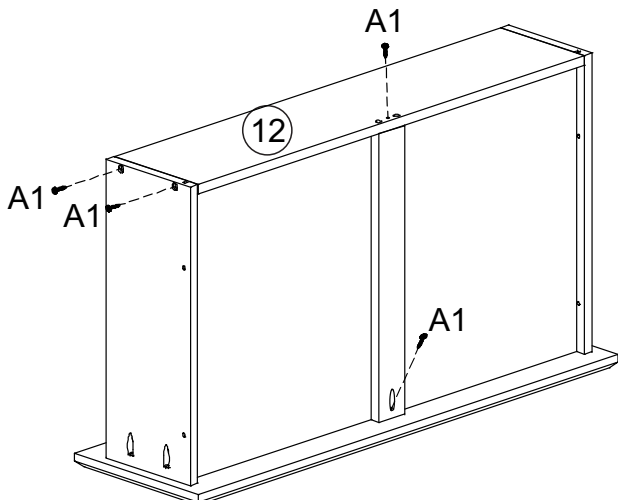
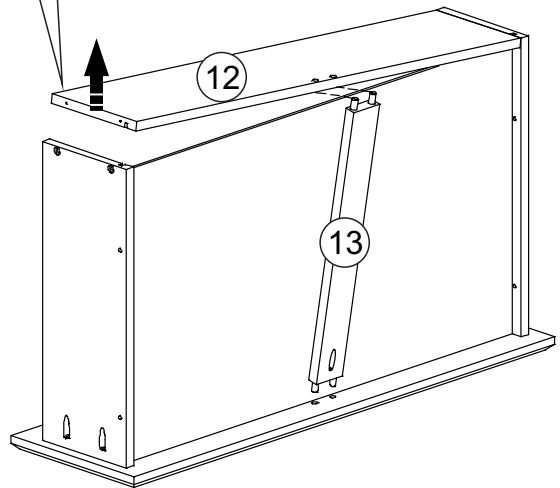
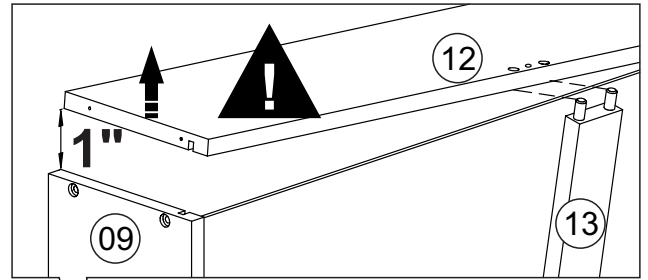
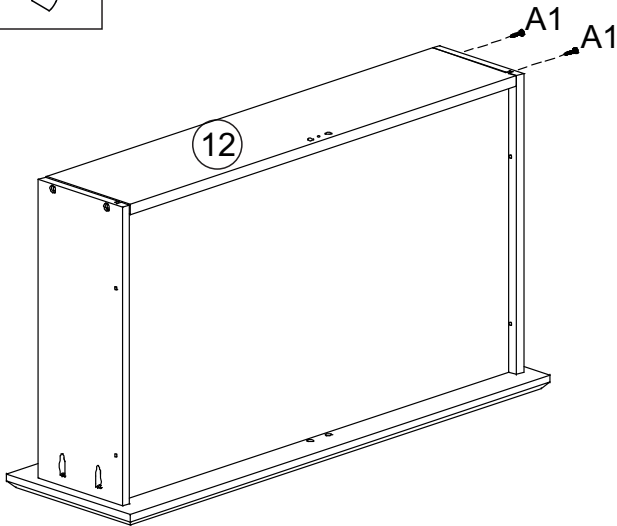


17)

2x

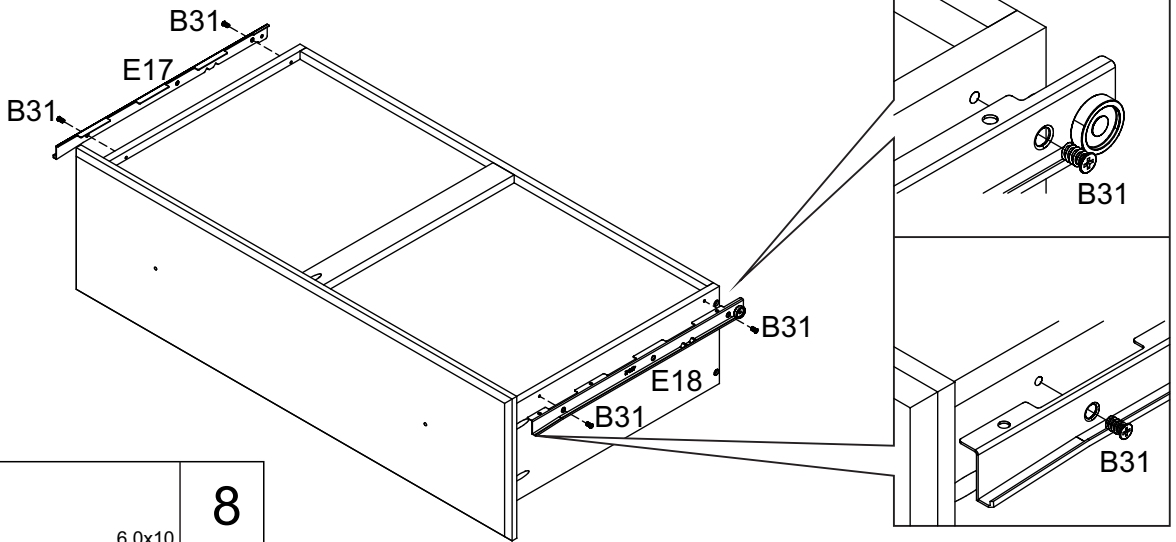


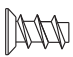
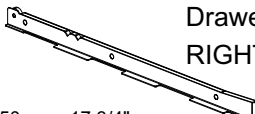
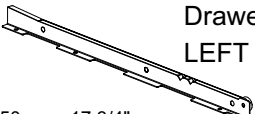
Attention: There are no predrilled holes for the A1 screws on part 08.



18) Flip the assembled drawer upside down to install glides.

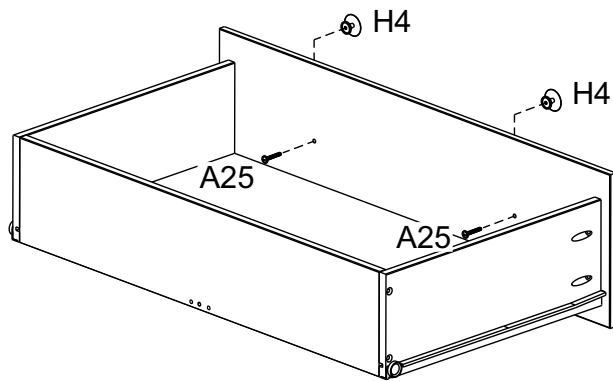
2x





B31		6,0x10	8
E17		Drawer RIGHT	2
E18		Drawer LEFT	2

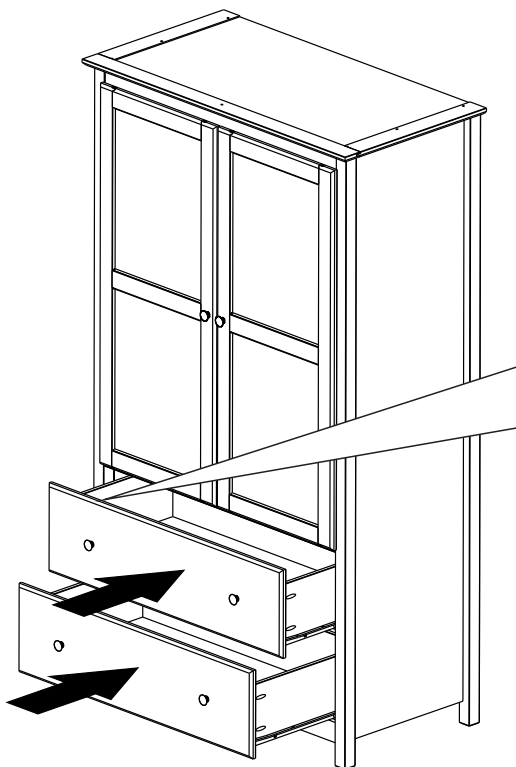
450mm - 17 3/4"

19) 2x

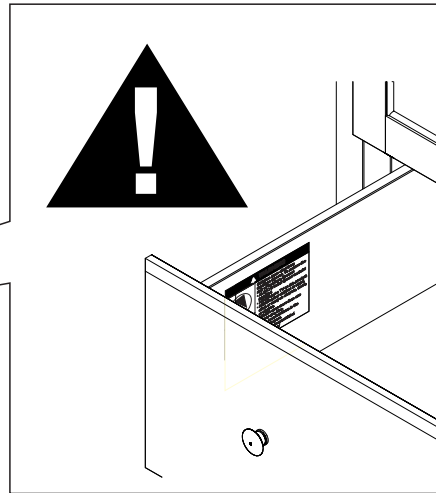


A25		M4x25	4
H4			4

20)

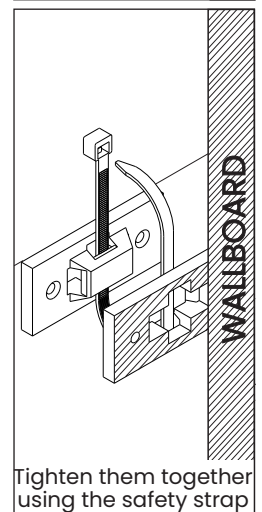
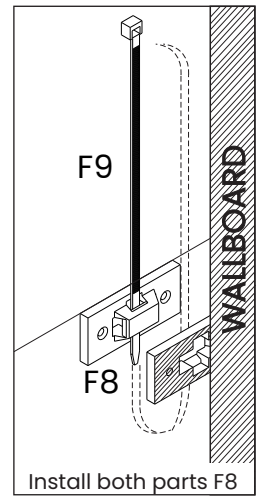
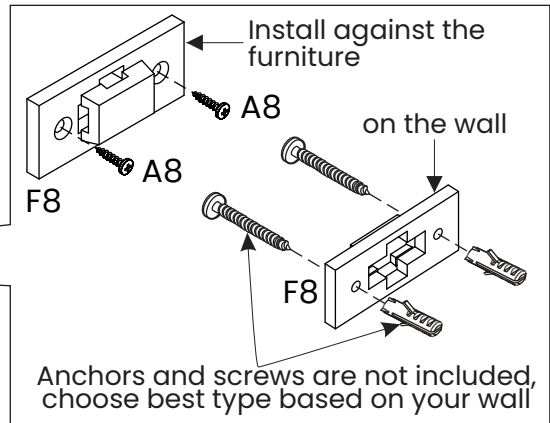
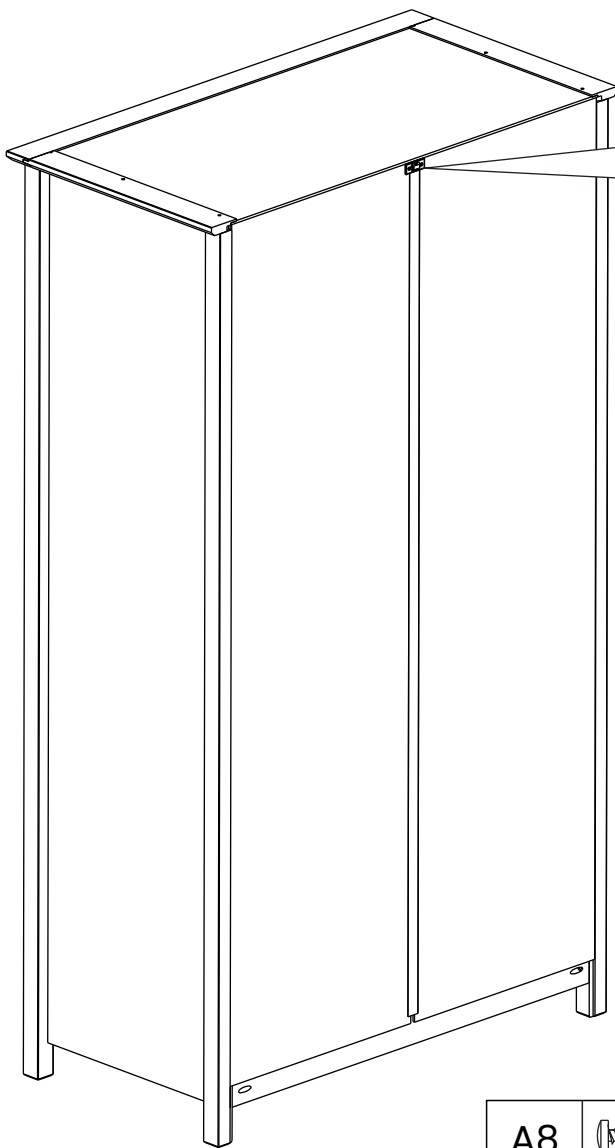
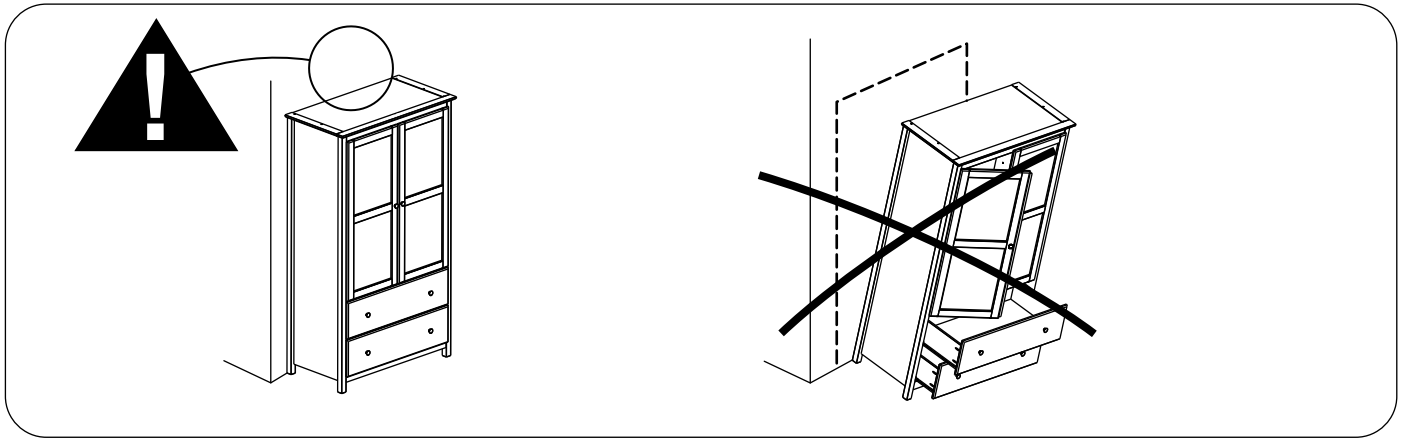



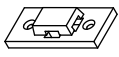

Place the labeled drawer on the top position.



21)

ANTI-TIPPING RESTRAINT KIT



A8	 3,0x20	2
F8		2
F9		1