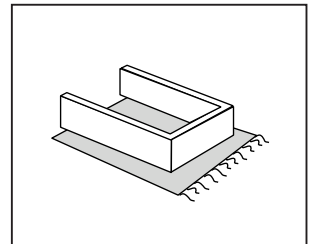
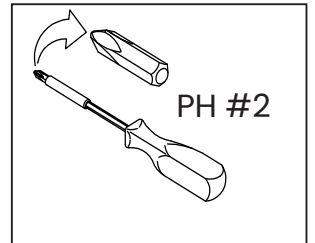
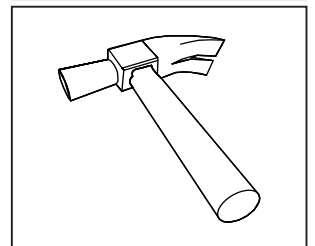
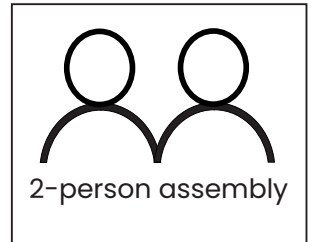
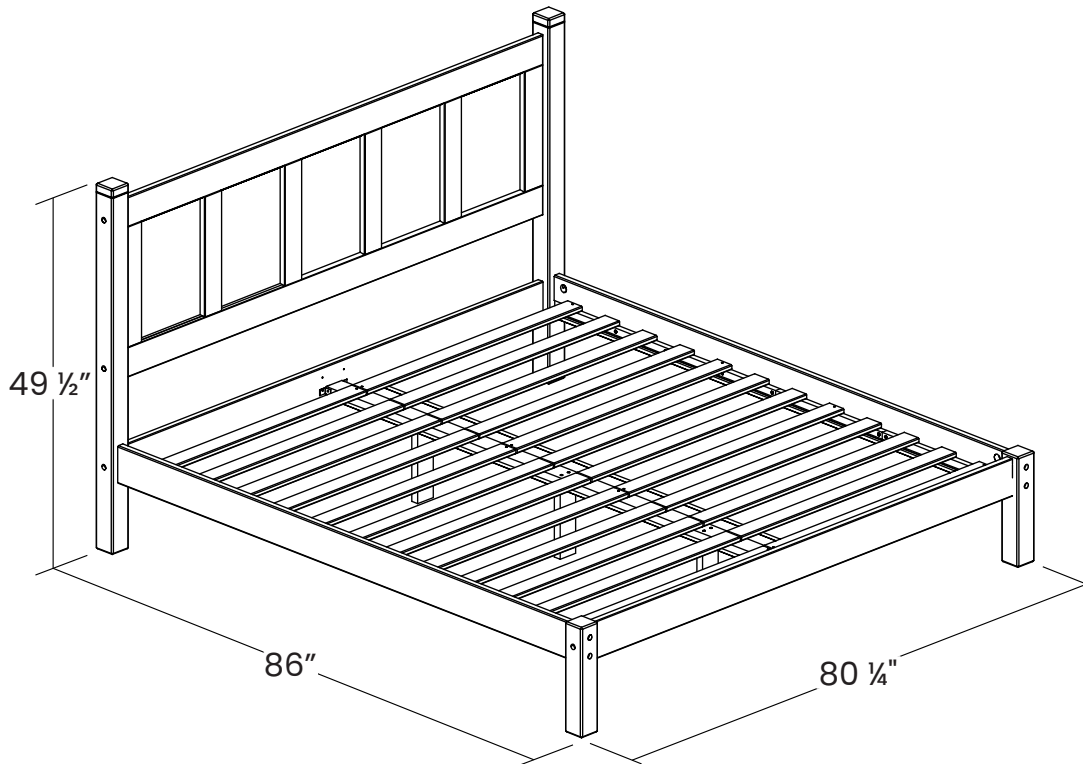


Assembly Instructions



Model #	Finish
SH0601	Cherry
SH0602	Espresso
SH0604	Walnut

Thank you for choosing Grain Wood Furniture, it is an honor to be in your home!
If you have any questions, feedback, or need replacement parts please contact us at:
grainwoodfurniture.com/help or support@grainwoodfurniture.com

Shaker Collection
King Panel Platform Bed

GrainWood
FURNITURE.COM

PLEASE READ BELOW BEFORE BEGINNING ASSEMBLY


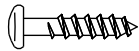
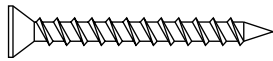

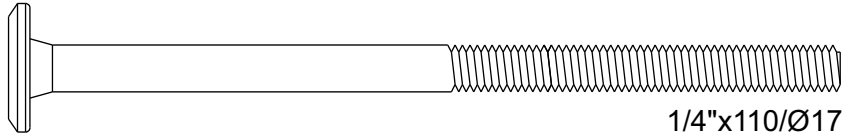
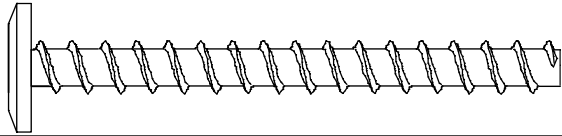
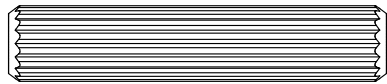
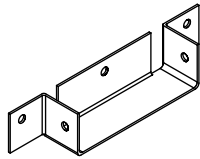
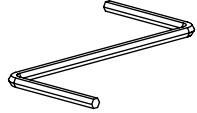
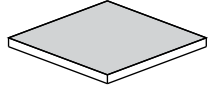
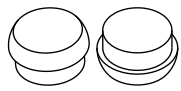
- Enlist help from a friend or family member, as most items require two people for proper assembly.
- Choose a spacious, open area near where the piece will be located once assembled. Moving parts is easier than relocating the fully assembled furniture.
- Only throw away packaging material once assembly is complete.
- Assemble the item on a soft surface, such as cardboard or an old blanket, to protect the finish from possible dents or scratches.
- Lay out the parts in order and count them twice. If any parts are missing or damaged, document the problem with pictures and contact support so we can make it right.
- Solid wood furniture may present imperfections such as wood knots, minor splits, or cracks which are a natural aspect of the material. Whenever the stability of the furniture is not compromised, we recommend customers perform cosmetic touch-ups with wax crayon fillers sold at all major hardware stores.
- It is best to use the tools provided in the box, such as a hex key, because they may be specially sized for the piece of furniture.
- We do not recommend using power drills as they can damage your furniture if not used correctly.
- Use a carpenter's square or hardcover book to check angles when assembling drawers and doors. If they are not at 90 degrees, they will not close properly.
- If you have any problems, we are here to help. Just go to grainwoodfurniture.com/help.
- See grainwoodfurniture.com/care-guide for suggestions that will help your furniture last for years.



grainwoodfurniture.com/assembly-troubleshooting

Enjoy your 100% solid wood furniture!

HARDWARE LIST

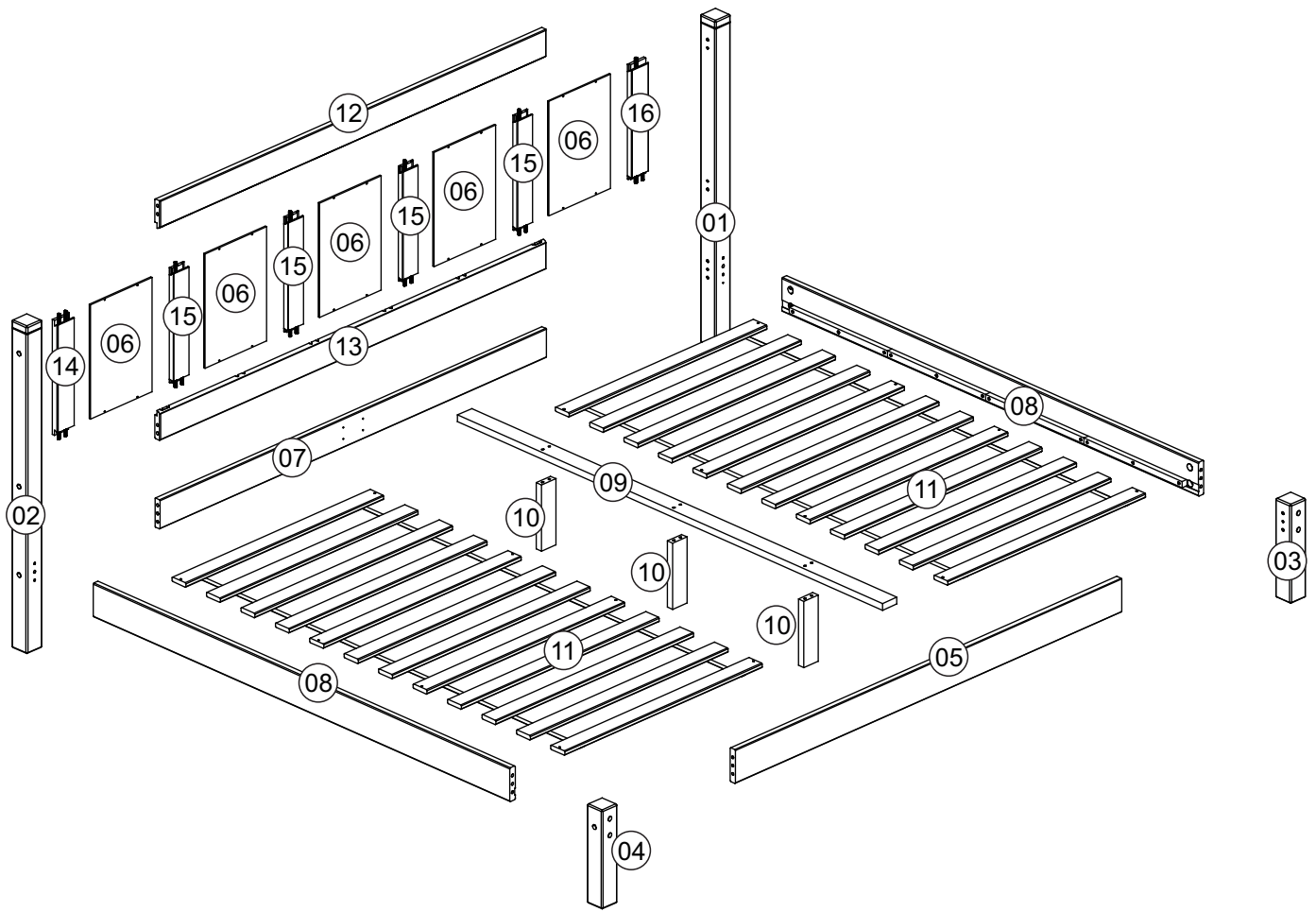
A1	 4,0x30	12 + 1
A9	 3,5x16	30 + 2
A14	 3,5x35	16 + 1
B5	 1/4"	16 + 1
B7	 1/4"x110/Ø17	16
B19	 7,0x70/Ø17	6
C6	 10x50	16 + 1
D43		2
G8		1
G12	 30x30	7
H5		12 + 5

ATTENTION

Before starting assembly please verify the hardware set is complete.

For missing hardware please contact us at grainwoodfurniture.com/help

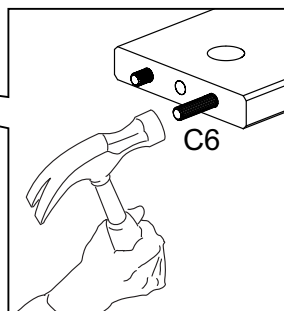
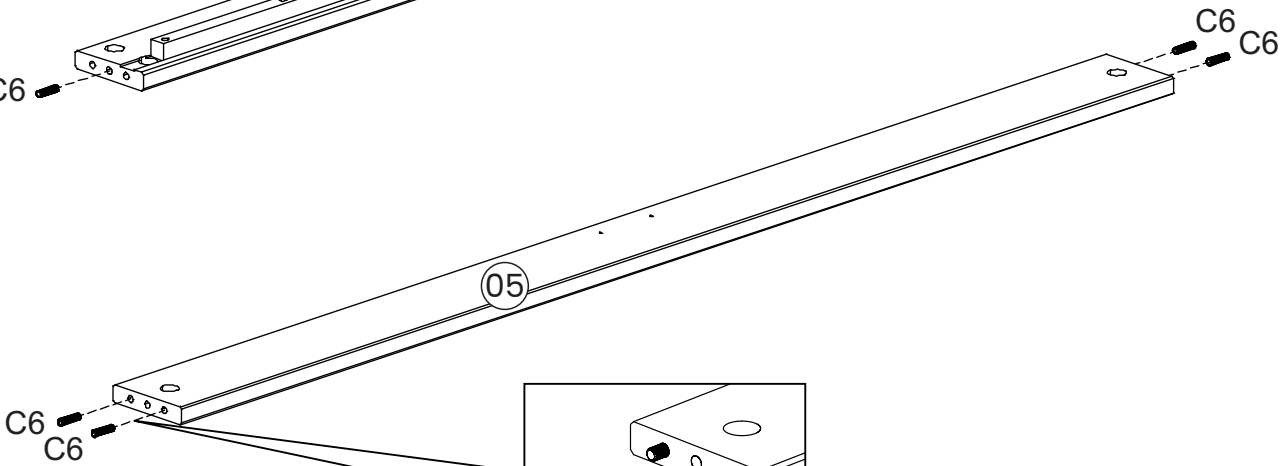
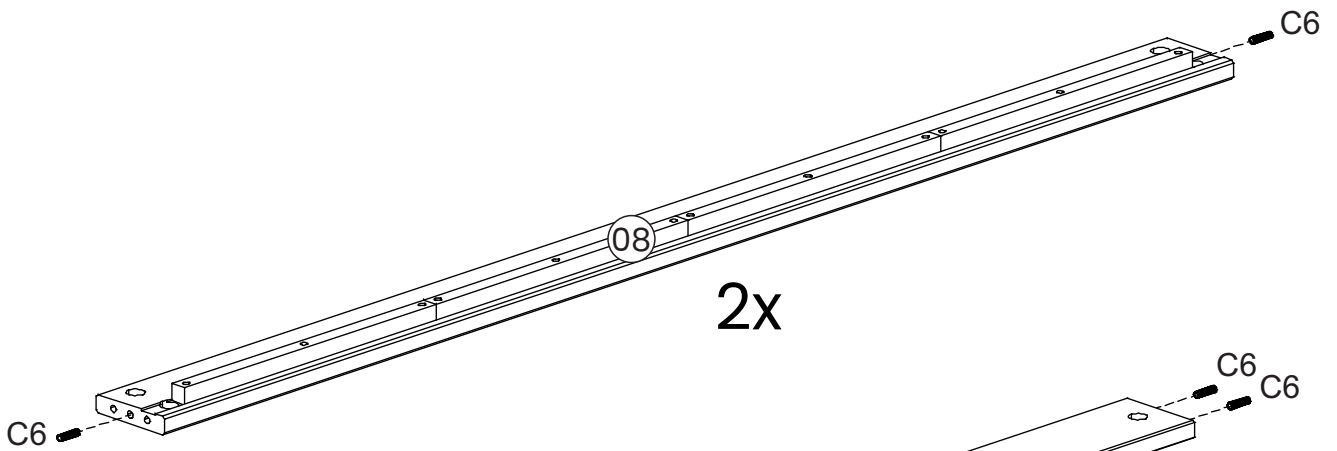
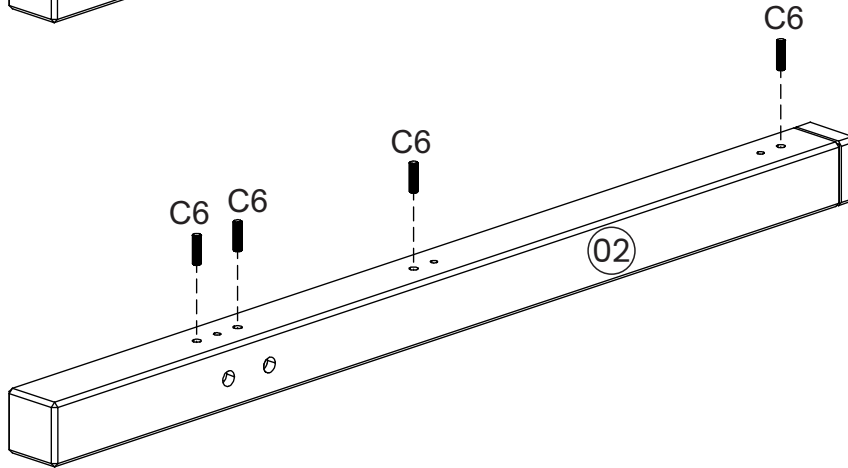
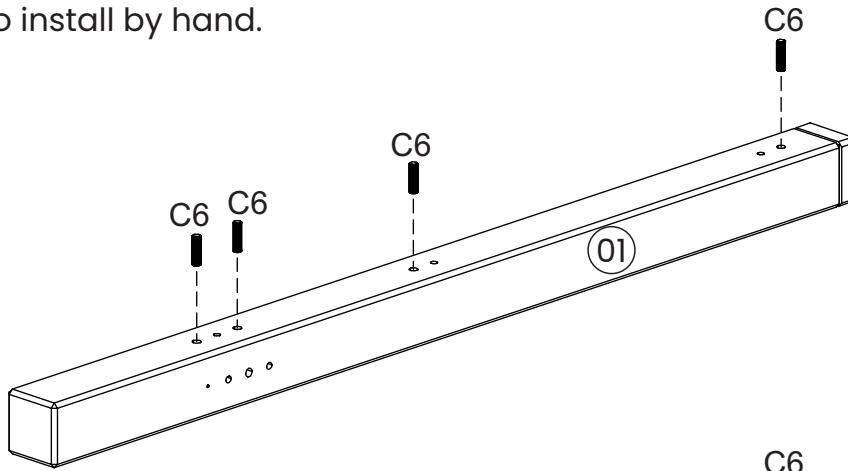
WARNING:
CHOKING HAZARD
Small parts, not for children.
To be assembled by an adult.




BOX A - 1 of 2		
Part #	Description	Qty.
01	Right headboard post	1
02	Left headboard post	1
03	Right footboard post	1
04	Left footboard post	1
10	Center support	3
11	Slat roll	2
HW	Hardware	1

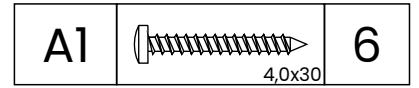
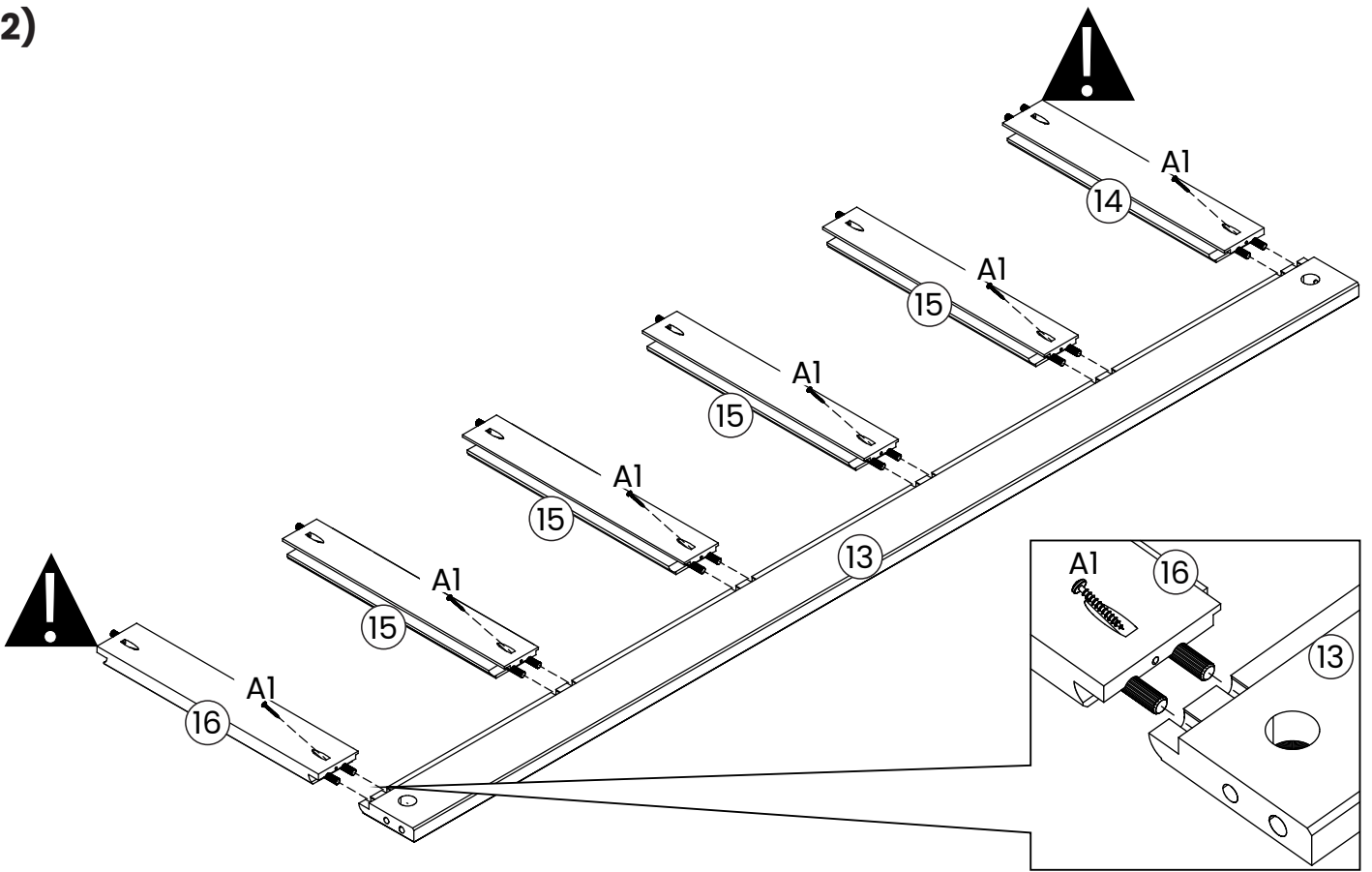
BOX B - 2 of 2		
Part #	Description	Qty.
05	Footboard cross piece	1
06	Headboard panel	5
07	Headboard cross piece	1
08	Side rail	2
09	Center rail	1
12	Headdboard top	1
13	Headboard bottom	1
14	Left headboard mount	1
15	Headboard dividers	4
16	Right headboard mount	1

1) Tip:
Use a hammer in case dowels
are hard to install by hand.

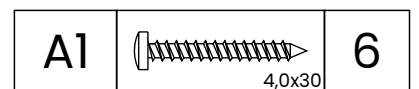
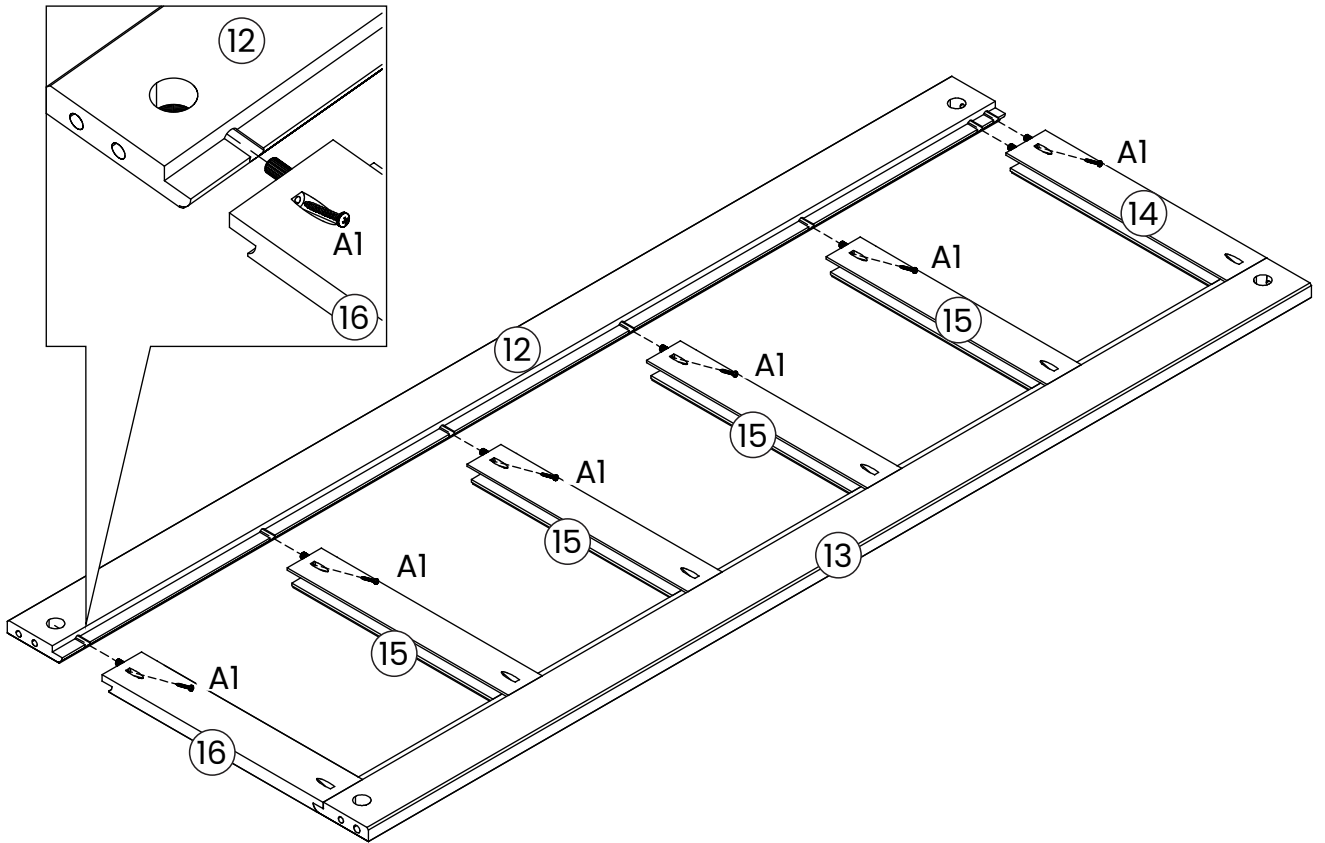


C6		16
	10x50	

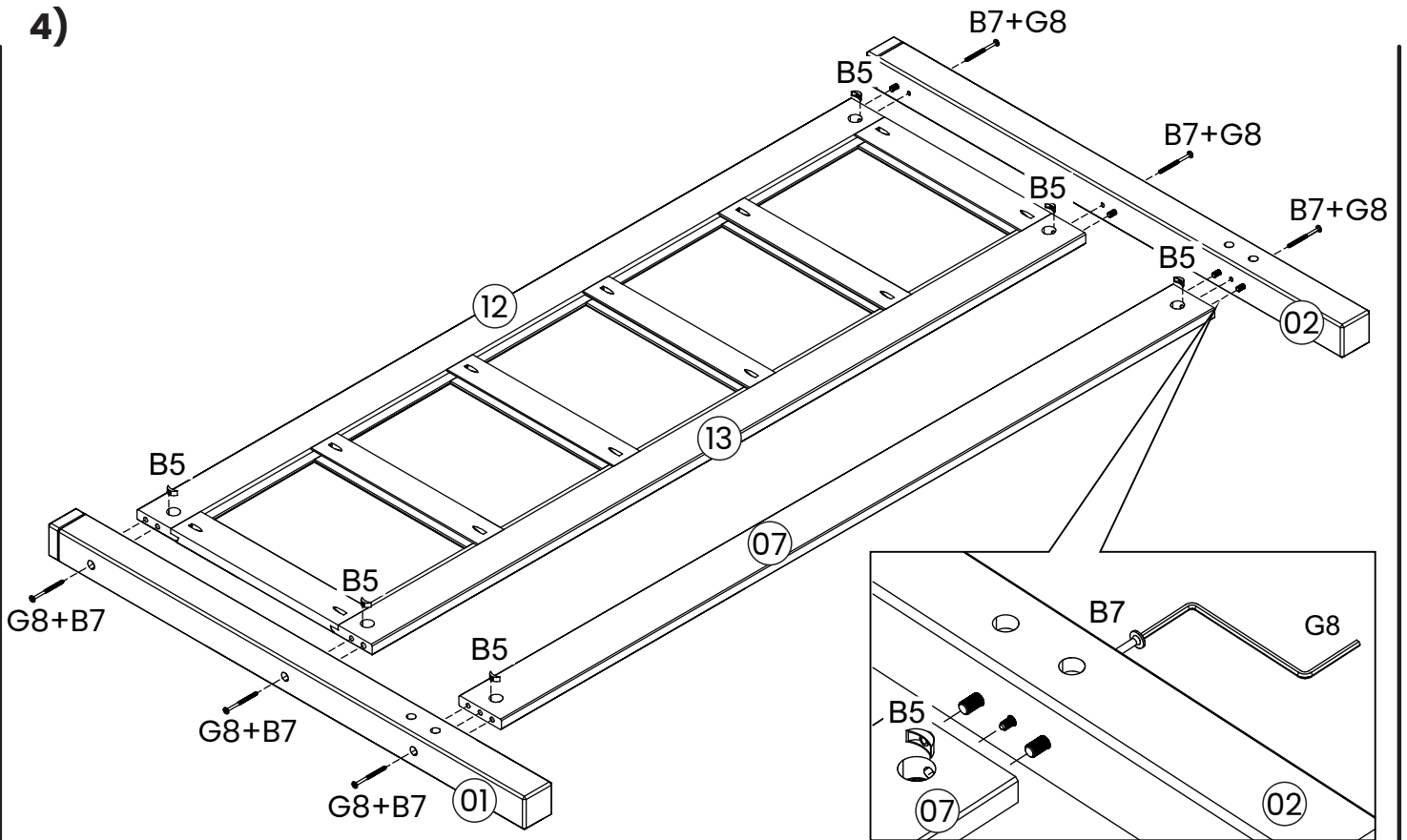
2)






3)



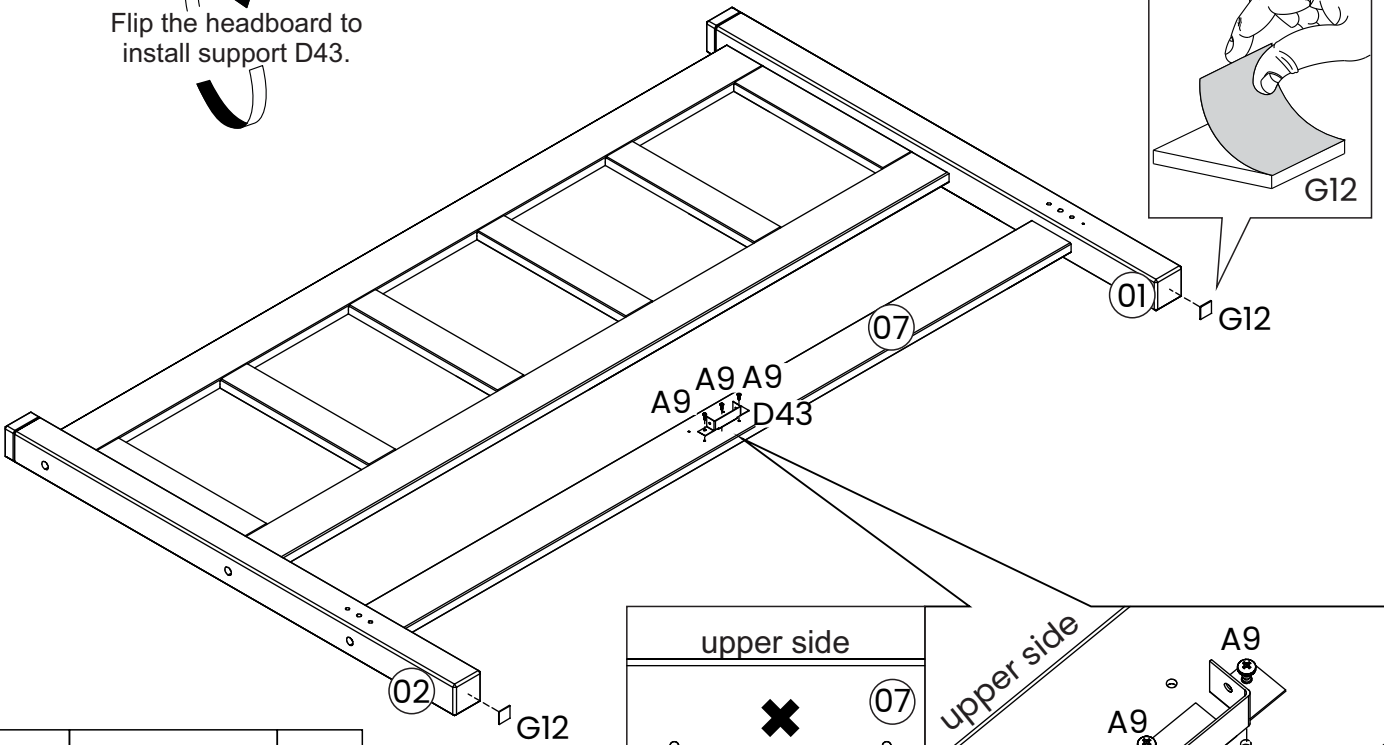
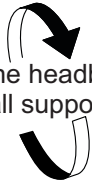
4)

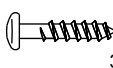
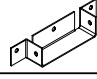
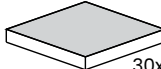


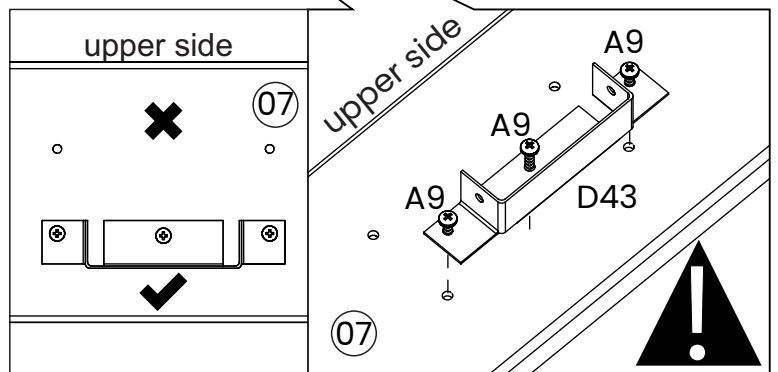
B5		6	B7		6	G8		1
	1/4"			1/4"x110				

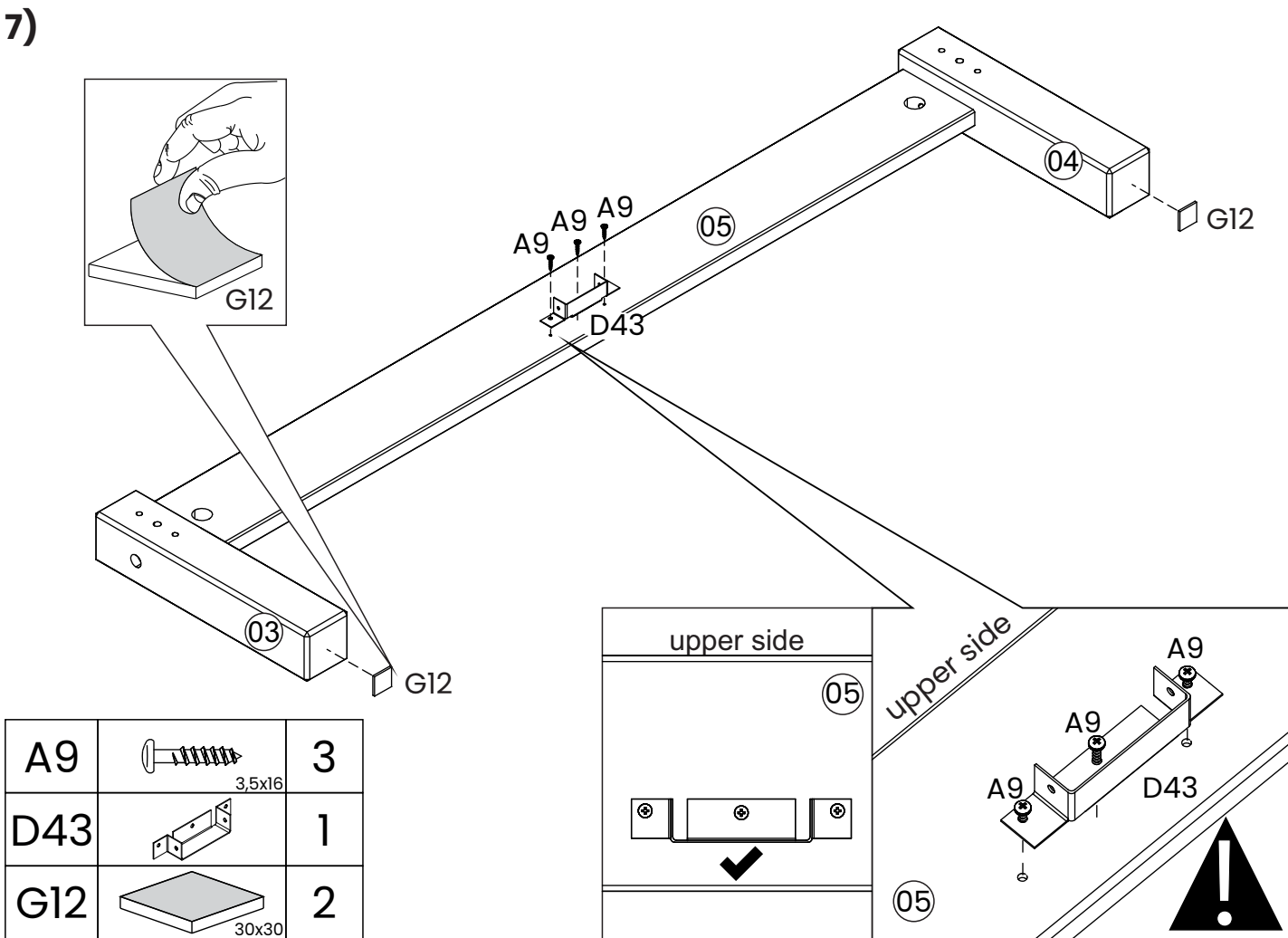
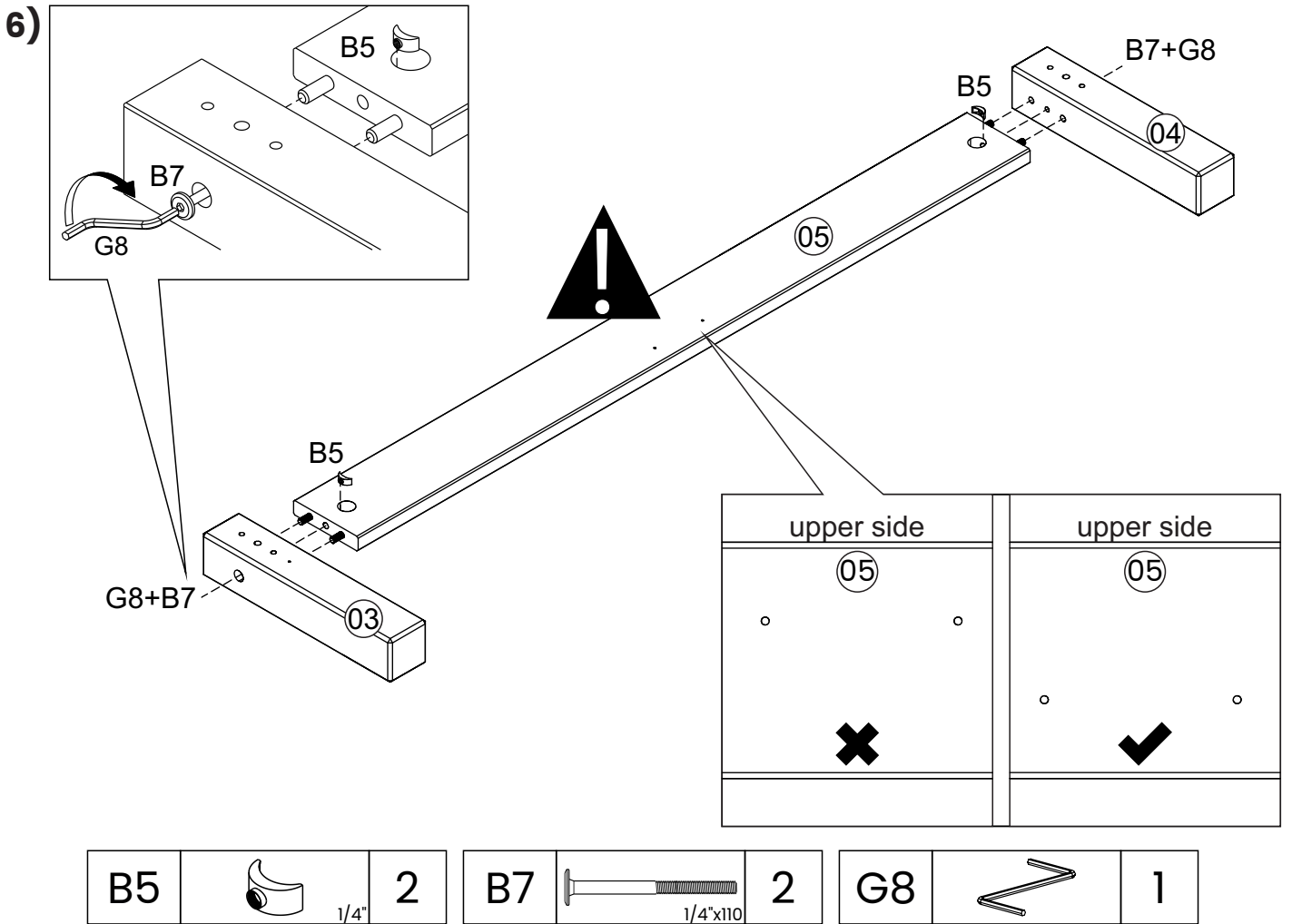
5)

Flip the headboard to install support D43.

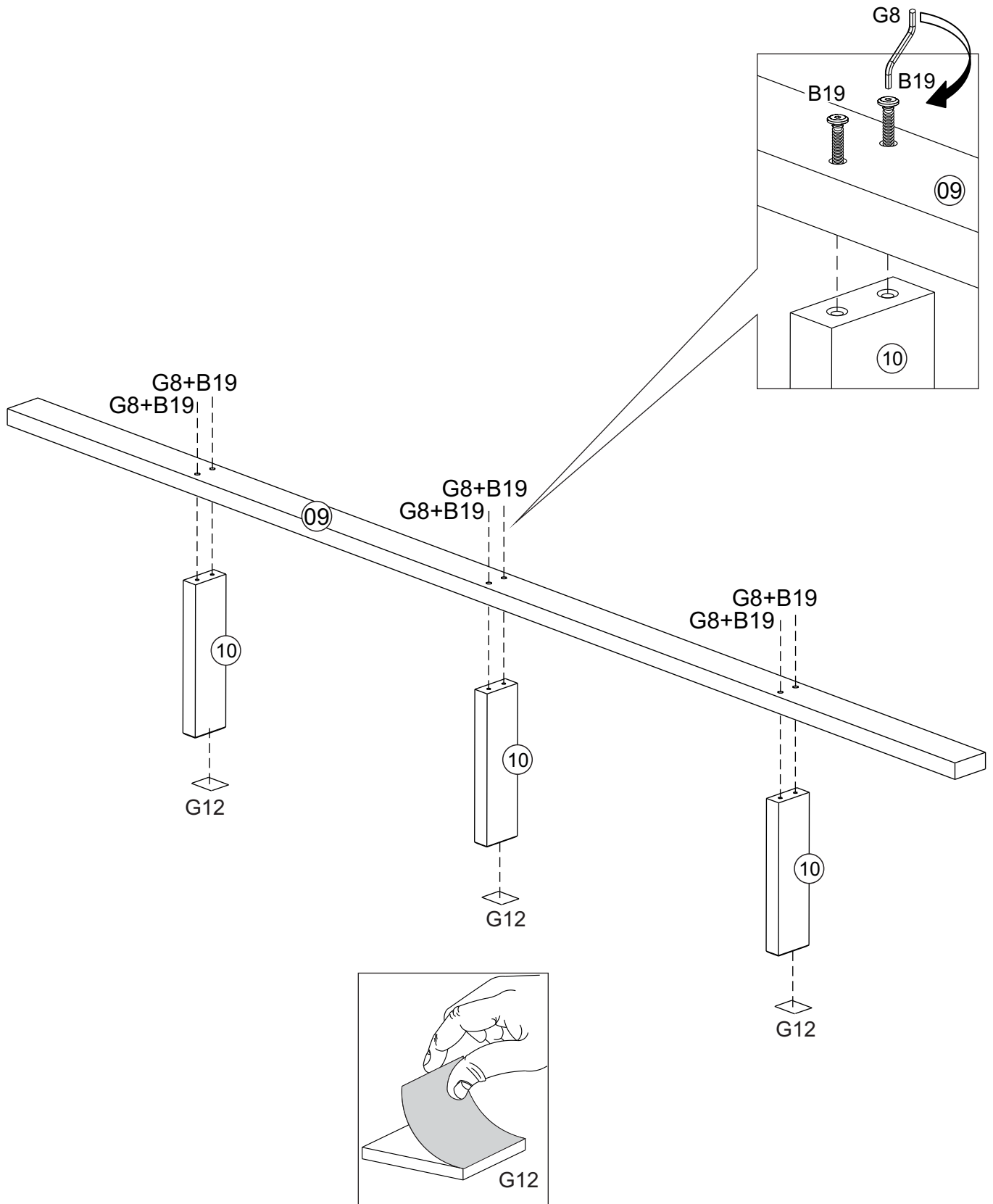


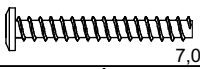


A9		3
D43		1
G12		2
	3.5x16	
	30x30	



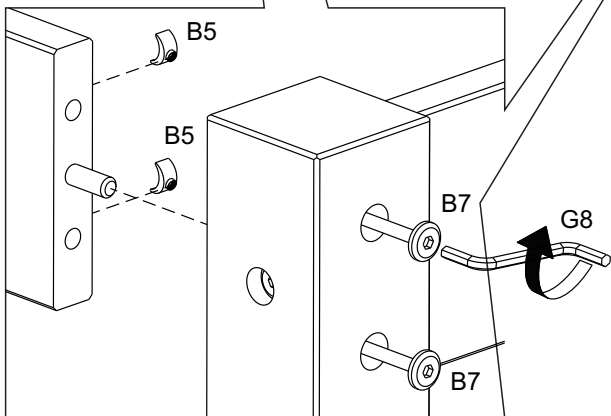
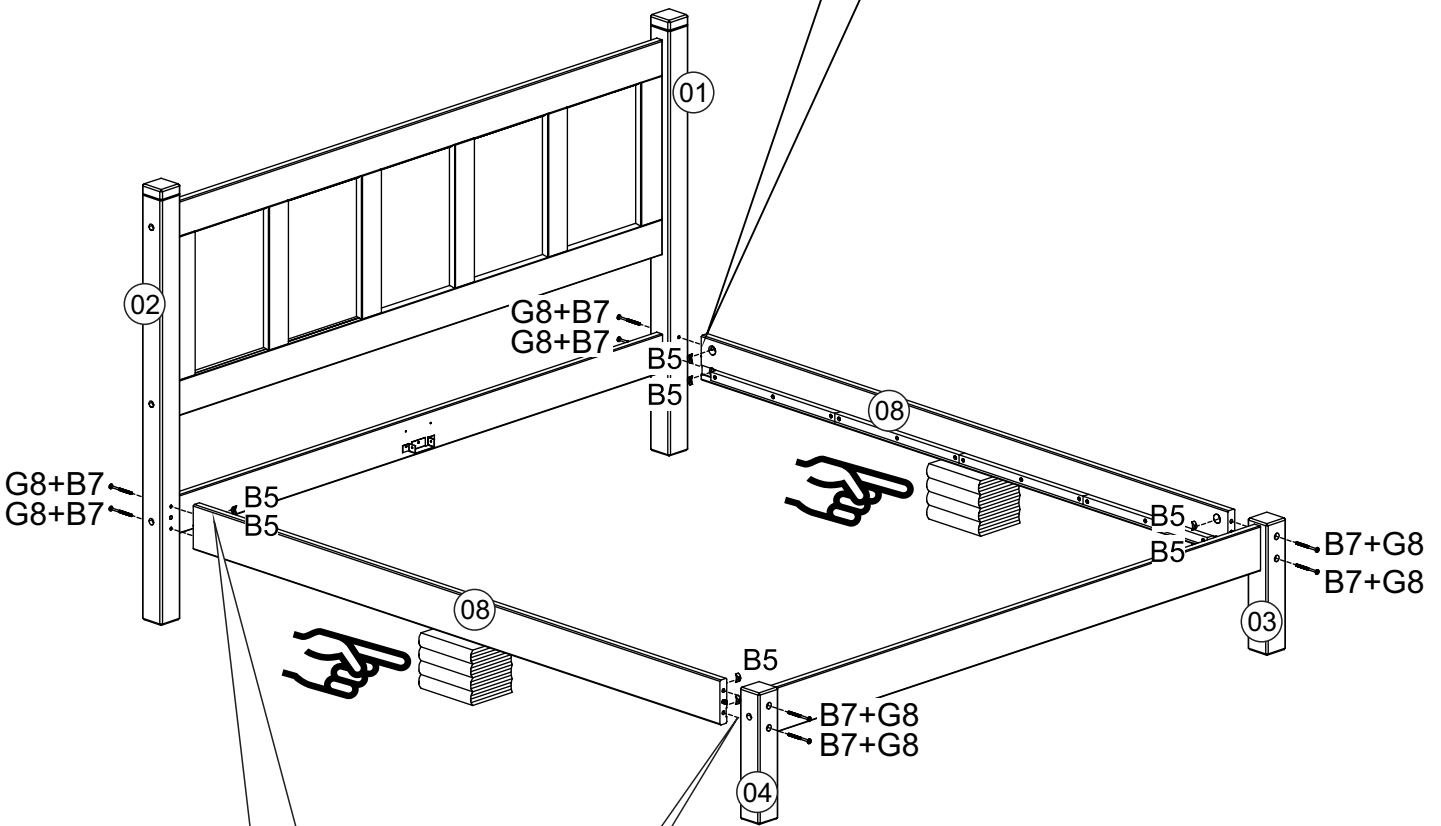
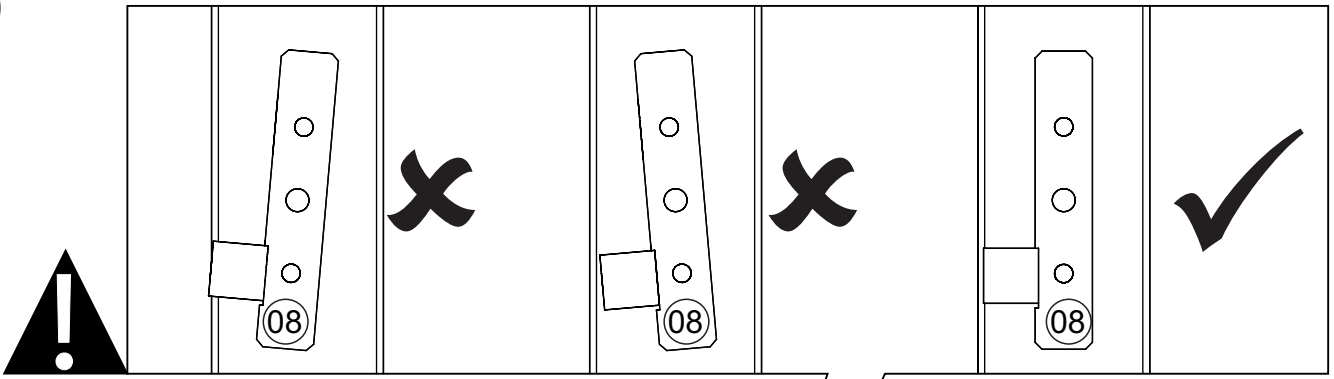



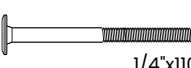

8)

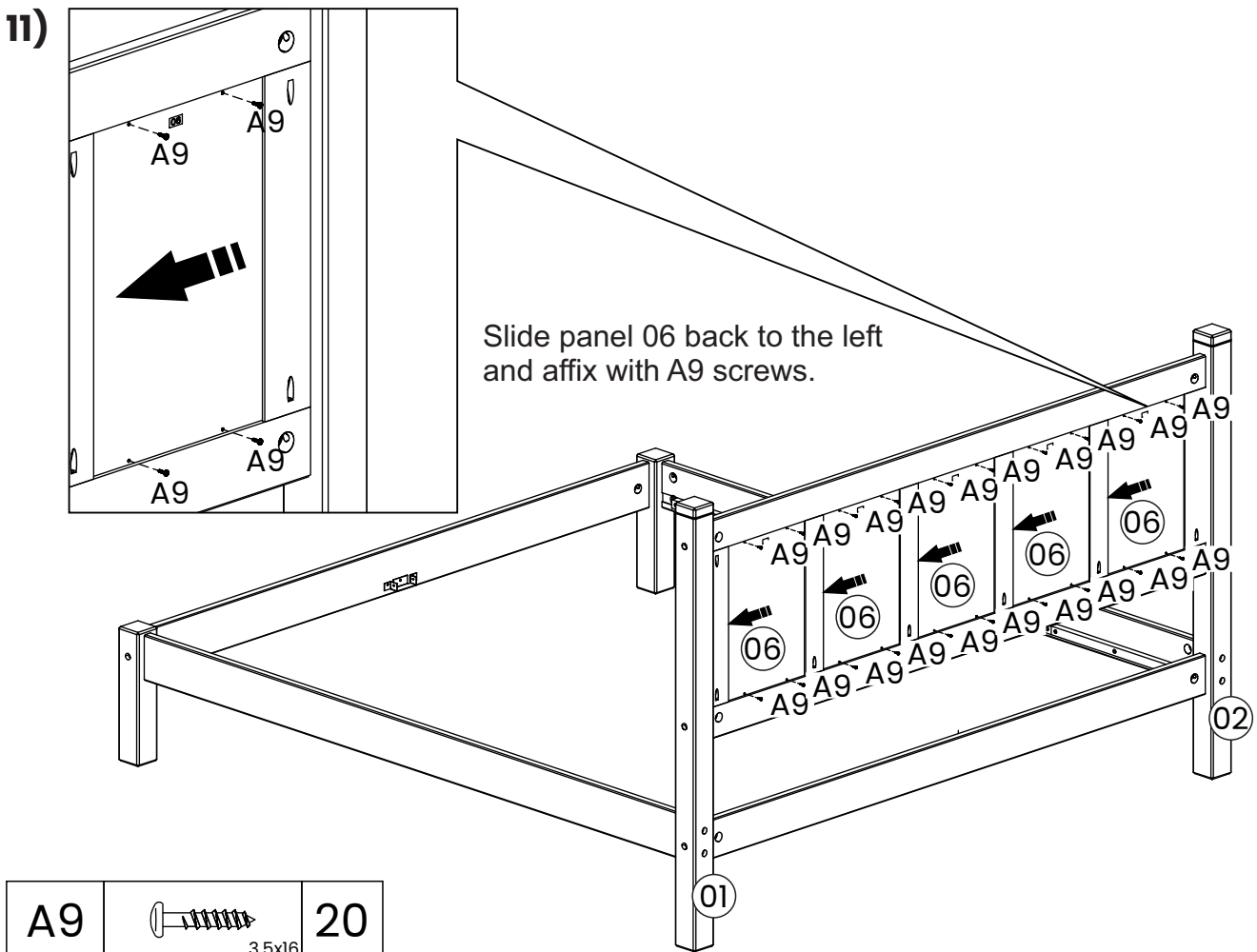
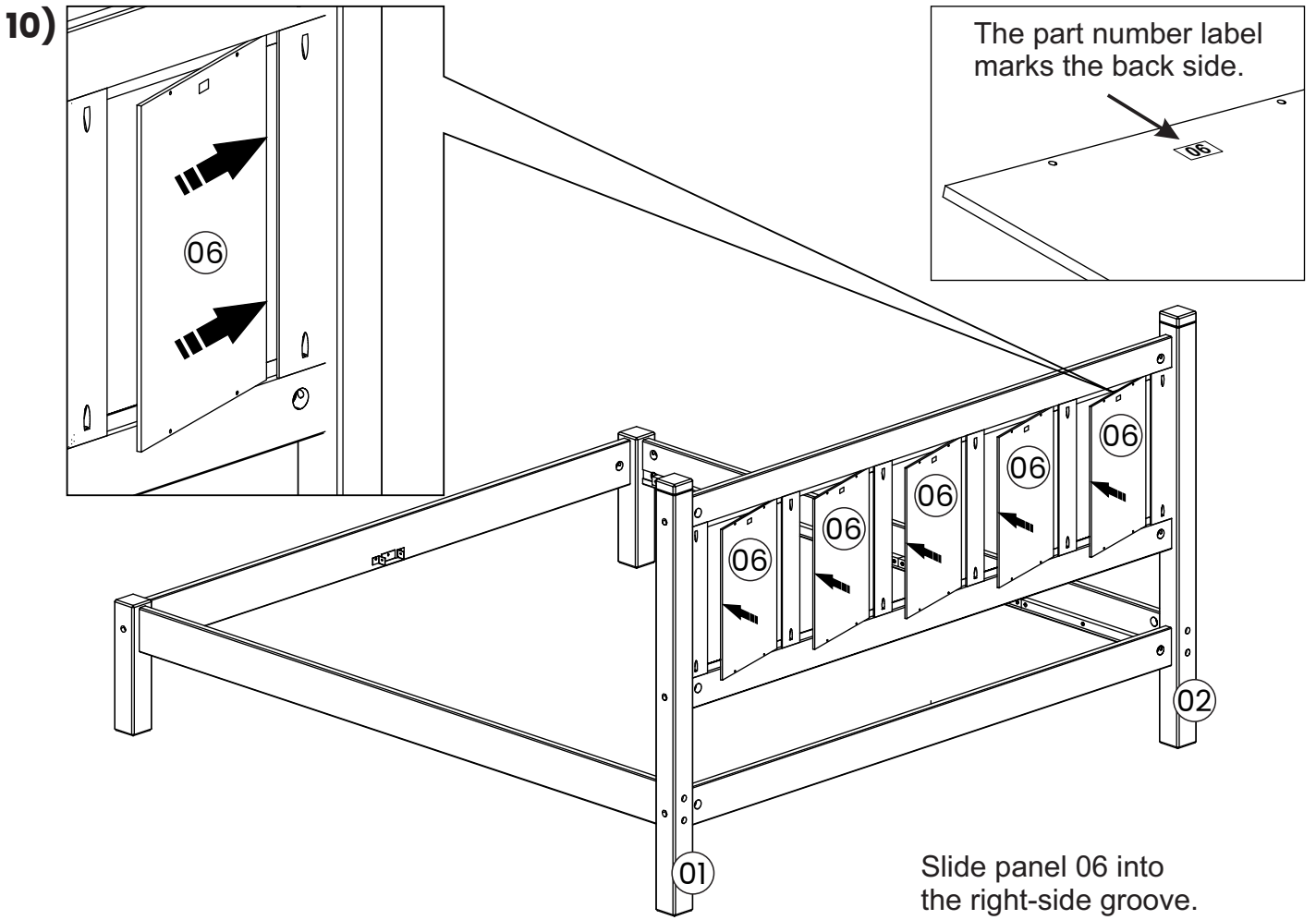


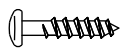
B19	 7,0x70	6
G8		1
G12	 30x30	3

9)

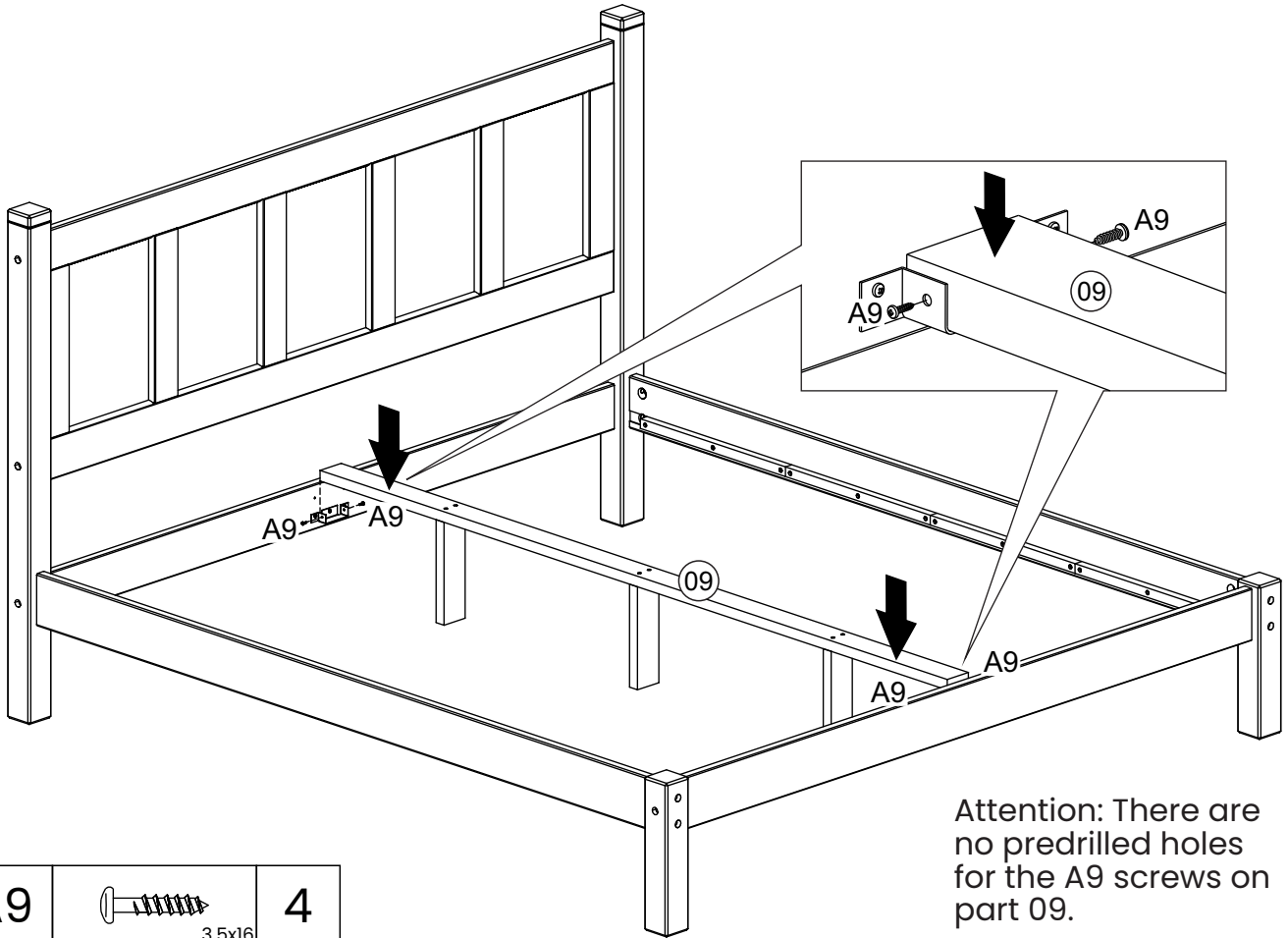


B5		1/4"	8	B7		1/4"x110	8	G8		1
----	---	------	---	----	---	----------	---	----	---	---

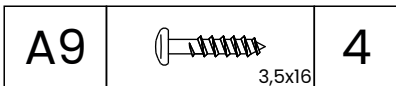


A9		20
	3,5x16	

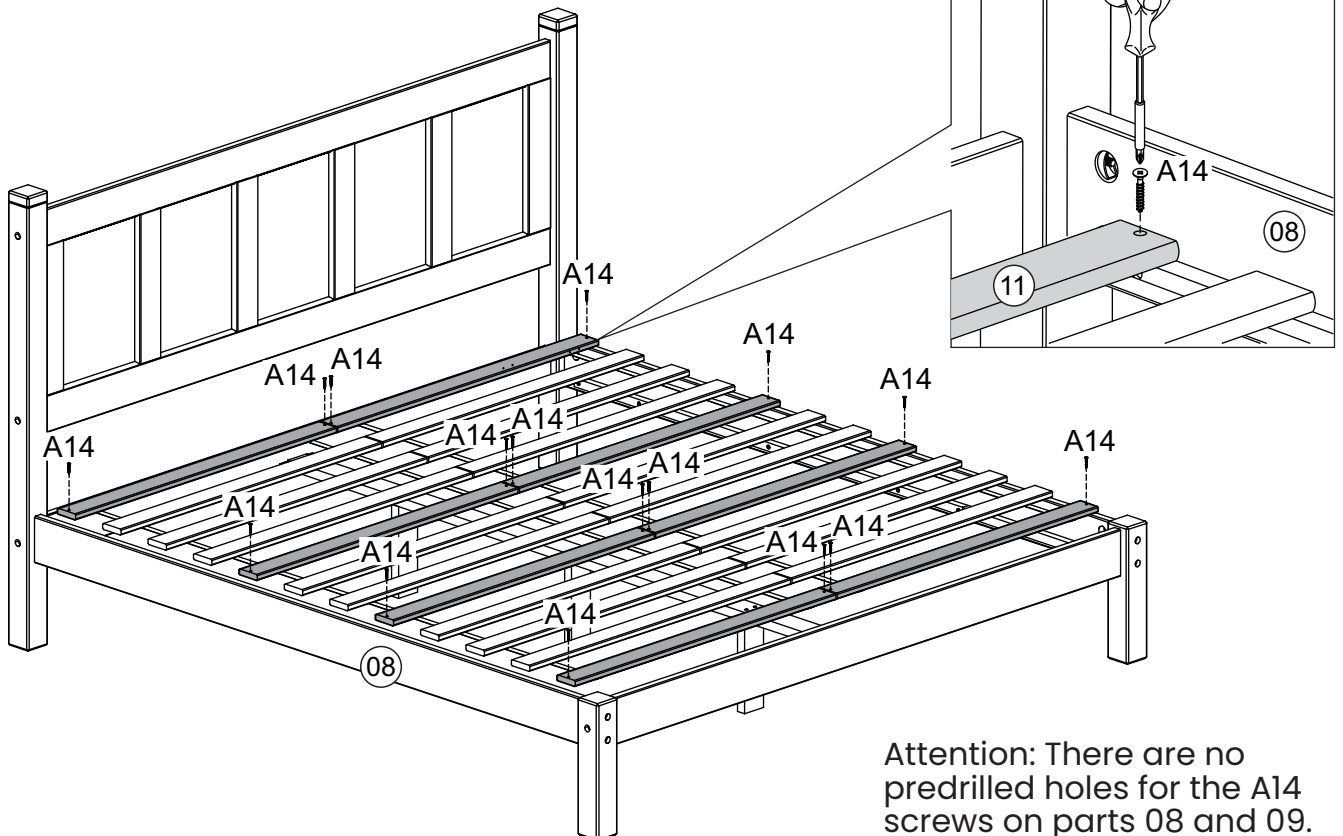
12)



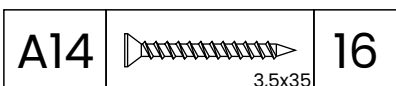
Attention: There are no predrilled holes for the A9 screws on part 09.



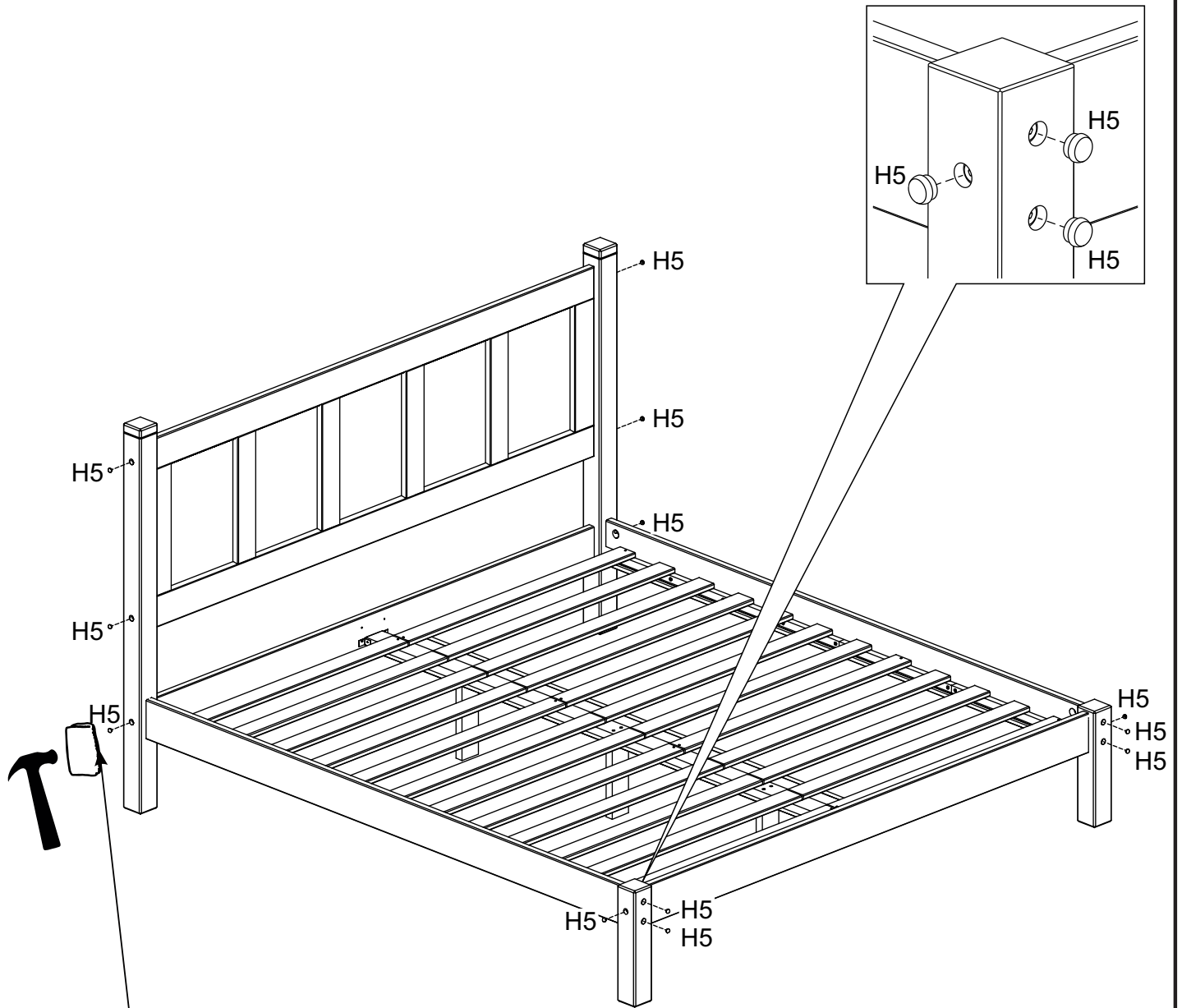
13)




Attention: There are no predrilled holes for the A14 screws on parts 08 and 09.



- 14)** Tip:
Do not install wood caps in the back of the headboard posts.
Instead, save these 4 caps for eventual future use.



Tip:
Use a rubber mallet or a piece of wood to protect the finish when hammering the wood cap.

H5		12
----	---	----