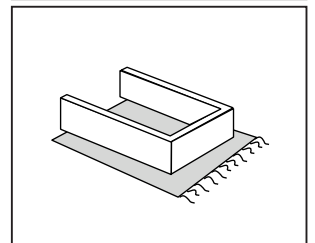
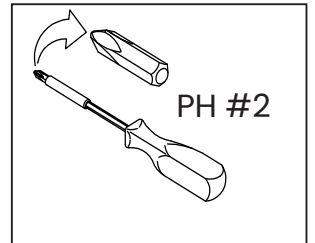
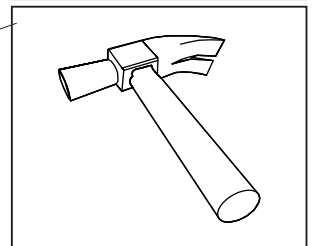
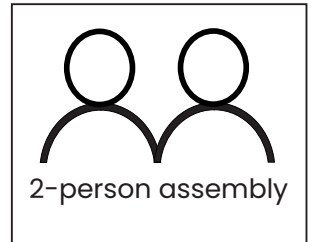
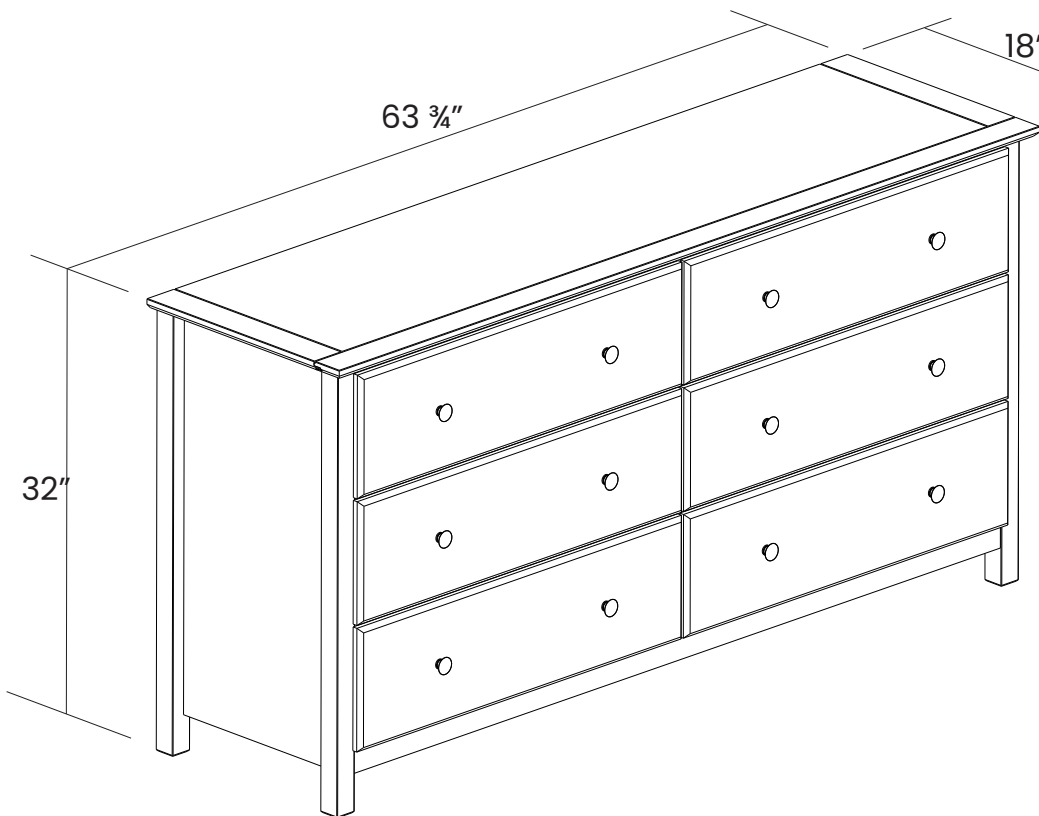


Assembly Instructions



Model #	Finish
SH0501	Cherry
SH0502	Espresso
SH0504	Walnut

Thank you for choosing Grain Wood Furniture, it is an honor to be in your home!
If you have any questions, feedback, or need replacement parts please contact us at:
grainwoodfurniture.com/help or support@grainwoodfurniture.com

Shaker Collection
6-Drawer Dresser




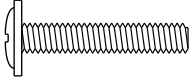



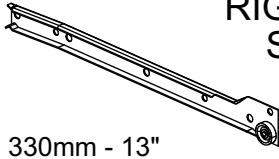
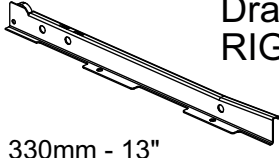
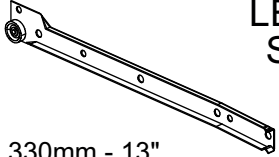
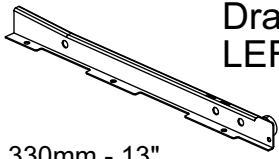
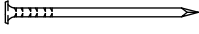
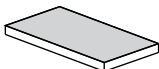

GrainWood
FURNITURE.COM

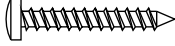
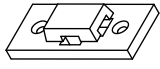

PLEASE READ BELOW BEFORE BEGINNING ASSEMBLY

- Enlist help from a friend or family member as most items require two people for proper assembly.
- Choose a spacious, open area near where the piece will be located once assembled. It is easier to move parts than to relocate the furniture after it is fully assembled.
- Do not throw away packaging material until assembly is complete.
- Assemble the item on a soft surface, such as cardboard or an old blanket in order to protect the finish from possible dents or scratches.
- Lay out the parts in order and count them twice. In case any parts are missing or damaged, document the problem with pictures and contact support so we can make it right.
- Solid wood furniture may present imperfections such as wood knots, minor splits or cracks which are a natural aspect of the material. Whenever stability of the furniture is not compromised, we recommend customers perform cosmetic touch-ups with wax crayon fillers sold at all major hardware stores.
- It is best to use the tools provided in the box, such as a hex key, because they may be specially sized for the piece of furniture.
- We do not recommend the use of power drills as they can damage your furniture if not used correctly.
- Use a carpenter's square or hardcover book to check angles when assembling drawers and doors. If they are not at 90 degrees, they will not close properly.
- If you have any problems, we are here to help. Just go to grainwoodfurniture.com/help.
- See grainwoodfurniture.com/care-guide for suggestions that will help your furniture last for years.

Enjoy your 100% solid wood furniture!

HARDWARE LIST

A1	 4,0x30	69 + 2
A4	 3,5x14	19 + 1
A18	 4,0x25	1
A25	 M4x25	12 + 1
B31	 6,0x10	48 + 2
C2	 8,0x25	76 + 2
D21		1
E13	 330mm - 13" RIGHT Side	6
E13	 330mm - 13" Drawer RIGHT	6
E14	 330mm - 13" LEFT Side	6
E14	 330mm - 13" Drawer LEFT	6
G1	 10x10	27
G11		6
H4		12

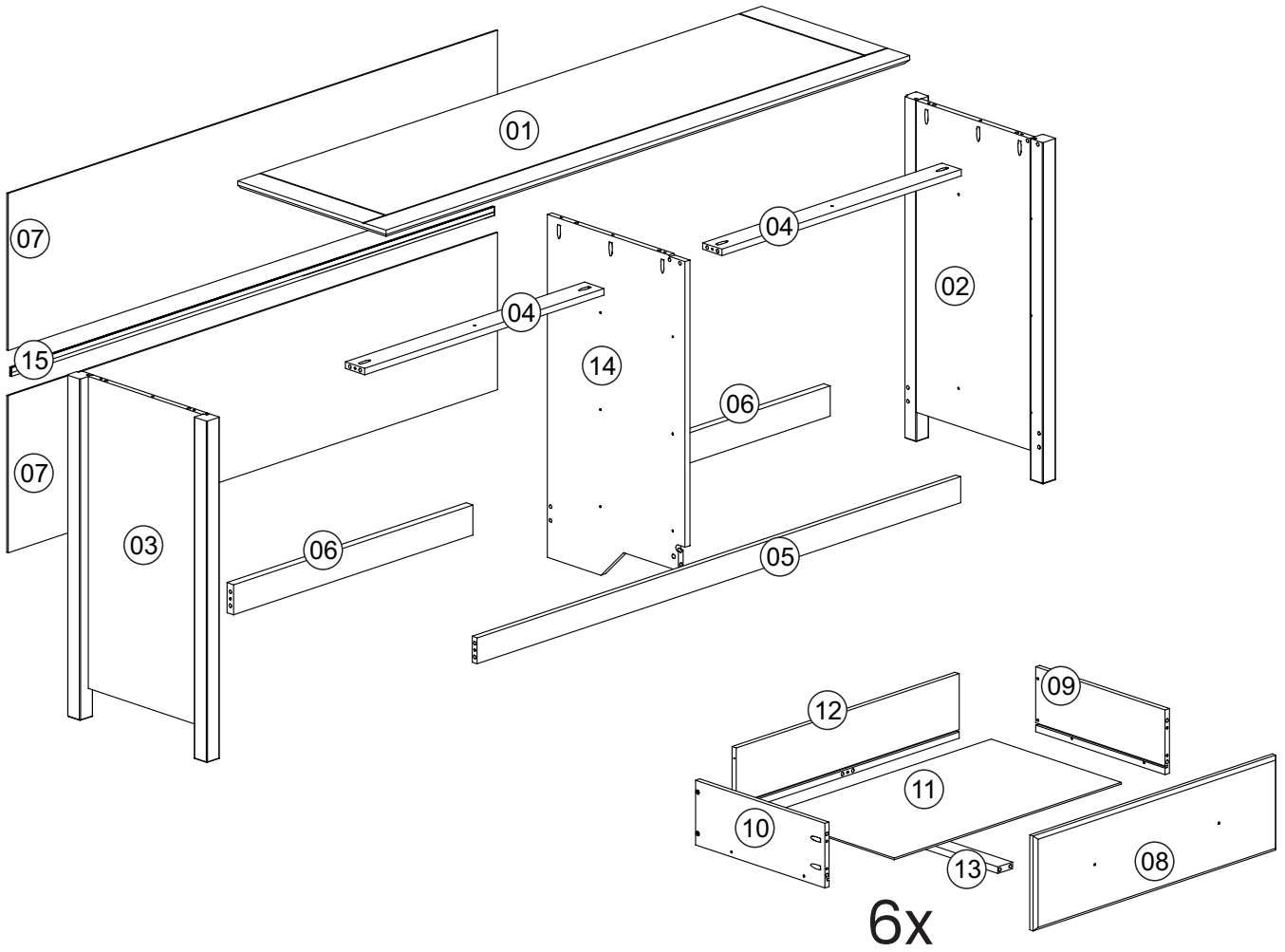
ANTI-TIPPING RESTRAINT KIT		
A8	 3,0x20	2 + 1
F8		2
F9		1

ATTENTION

Before starting assembly please verify the hardware set is complete.

For missing hardware please contact us at grainwoodfurniture.com/help

WARNING:
CHOKING HAZARD
Small parts, not for children.
To be assembled by an adult.

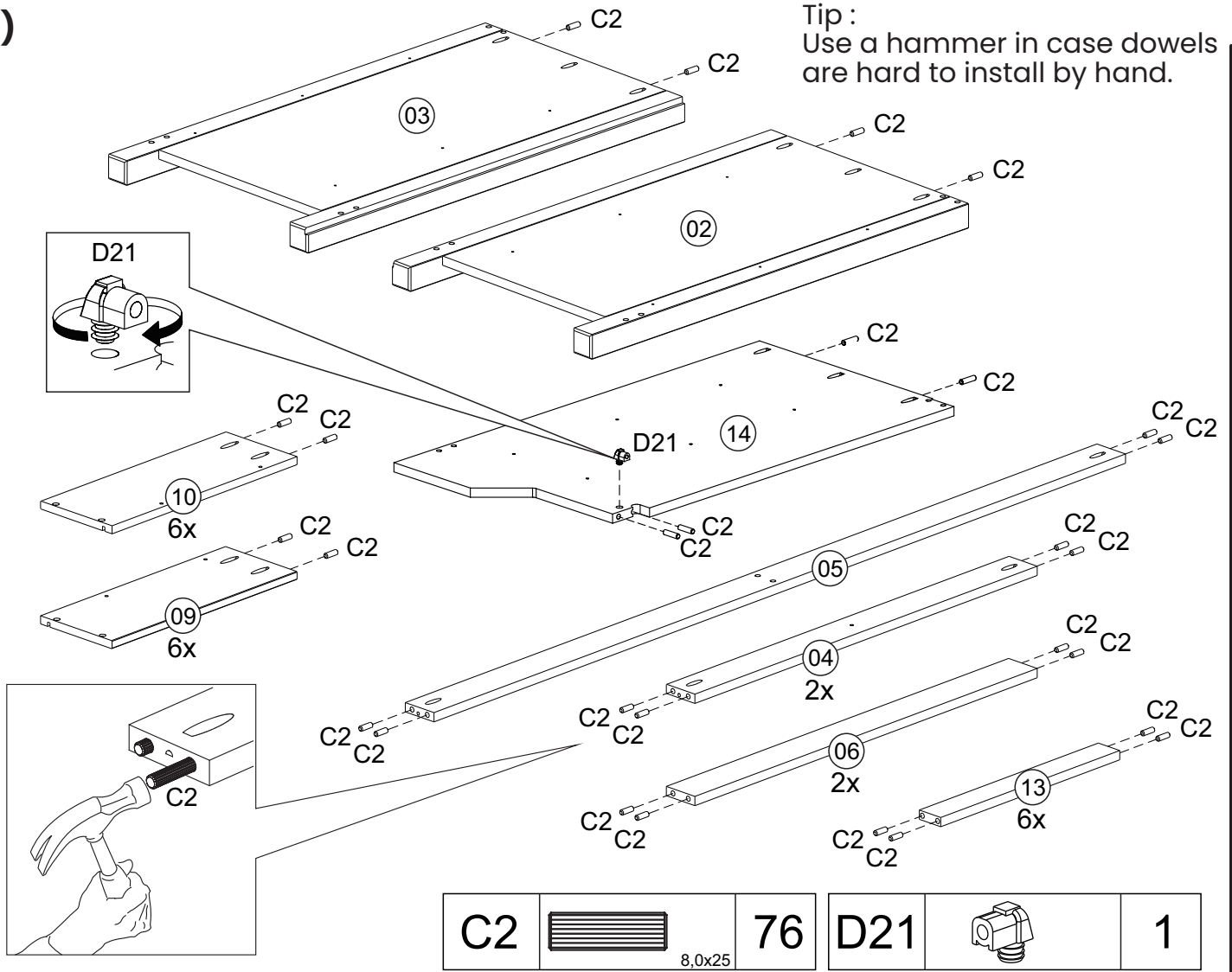




BOX A - 1 of 2		
Part #	Description	Qty.
01	Top	1
05	Lower crosspiece	1
07	Back panel	2
08	Drawer front	6
11	Drawer bottom	6
12	Drawer back	6
13	Drawer bottom support	6
15	Profile "H"	1

BOX B - 2 of 2		
Part #	Description	Qty.
02	Right side	1
03	Left side	1
04	Upper crosspiece	2
06	Rear crosspiece	2
09	Drawer right side	6
10	Drawer left side	6
14	Division	1
HW	Hardware	1

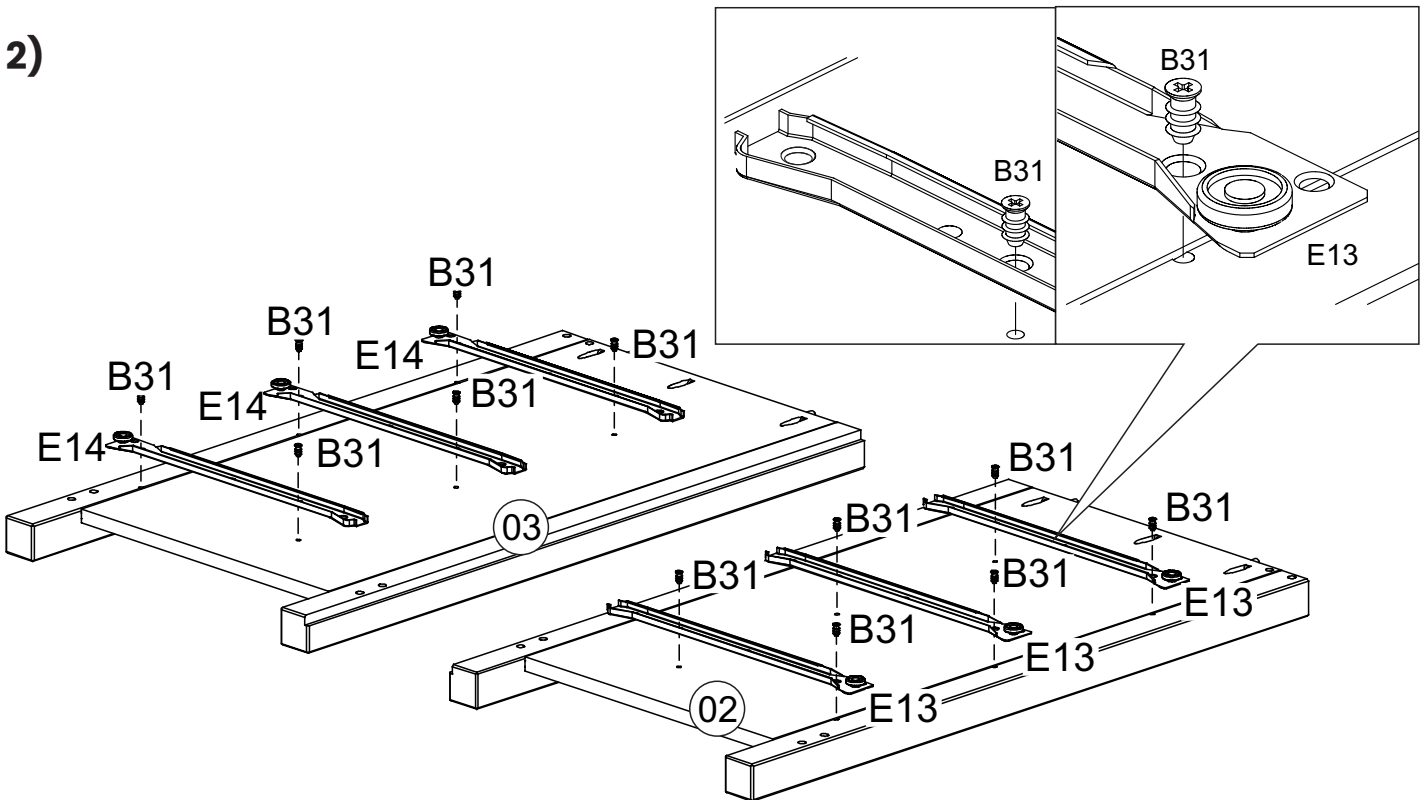
1)


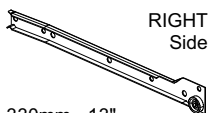
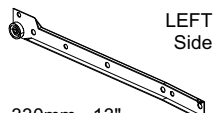
Tip :
Use a hammer in case dowels
are hard to install by hand.



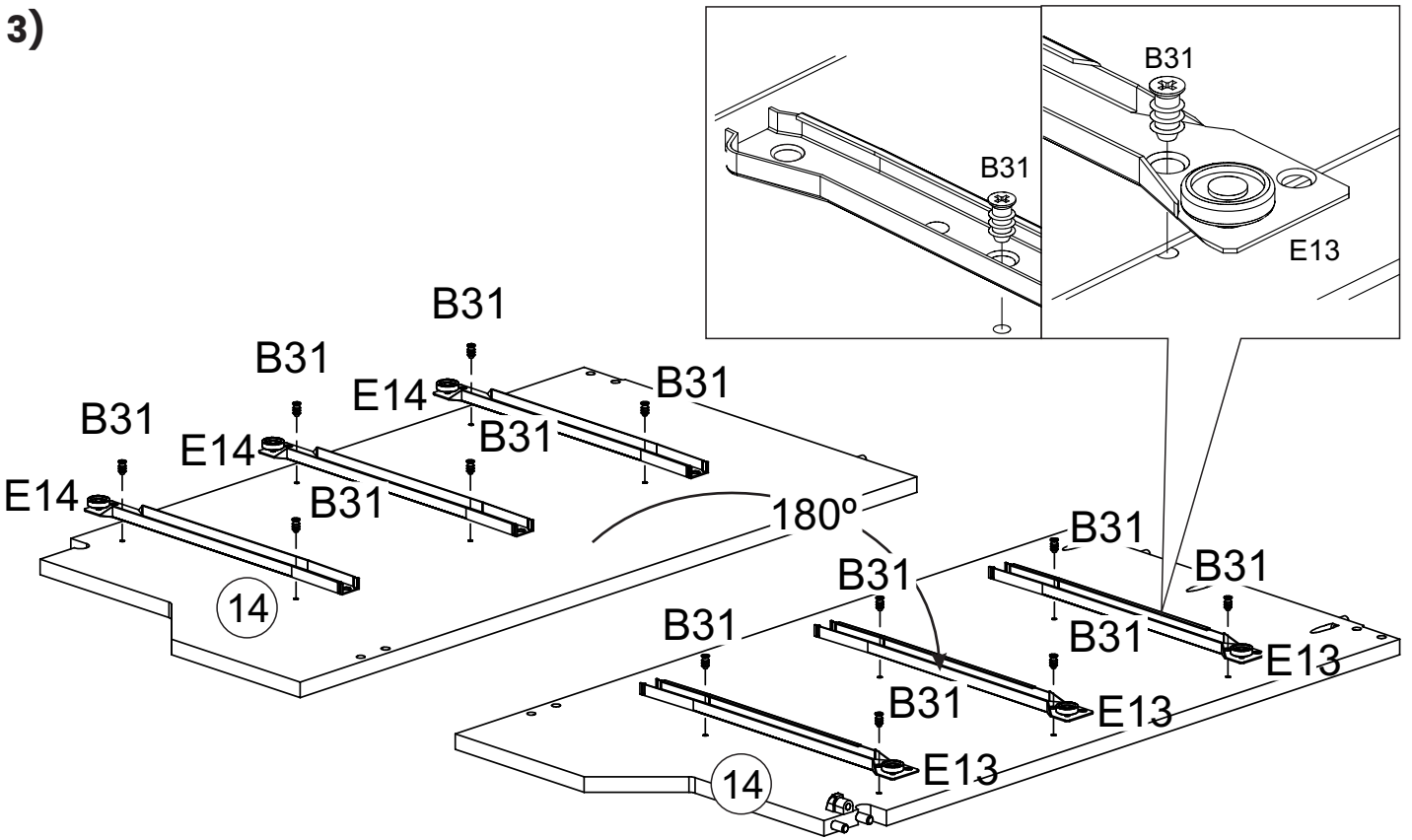
C2		76	D21		1
	8,0x25				

2)

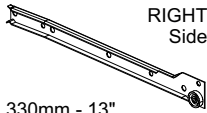


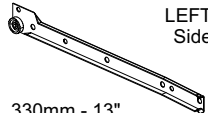
B31		12	E13		3	E14		3
	6,0x10		330mm - 13"	RIGHT Side		330mm - 13"	LEFT Side	

3)

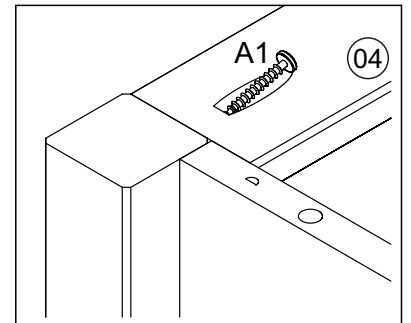
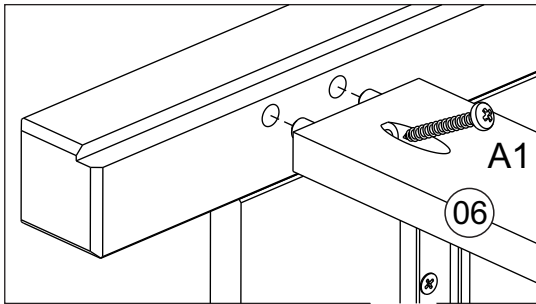


B31		6,0x10	12
-----	---	--------	----

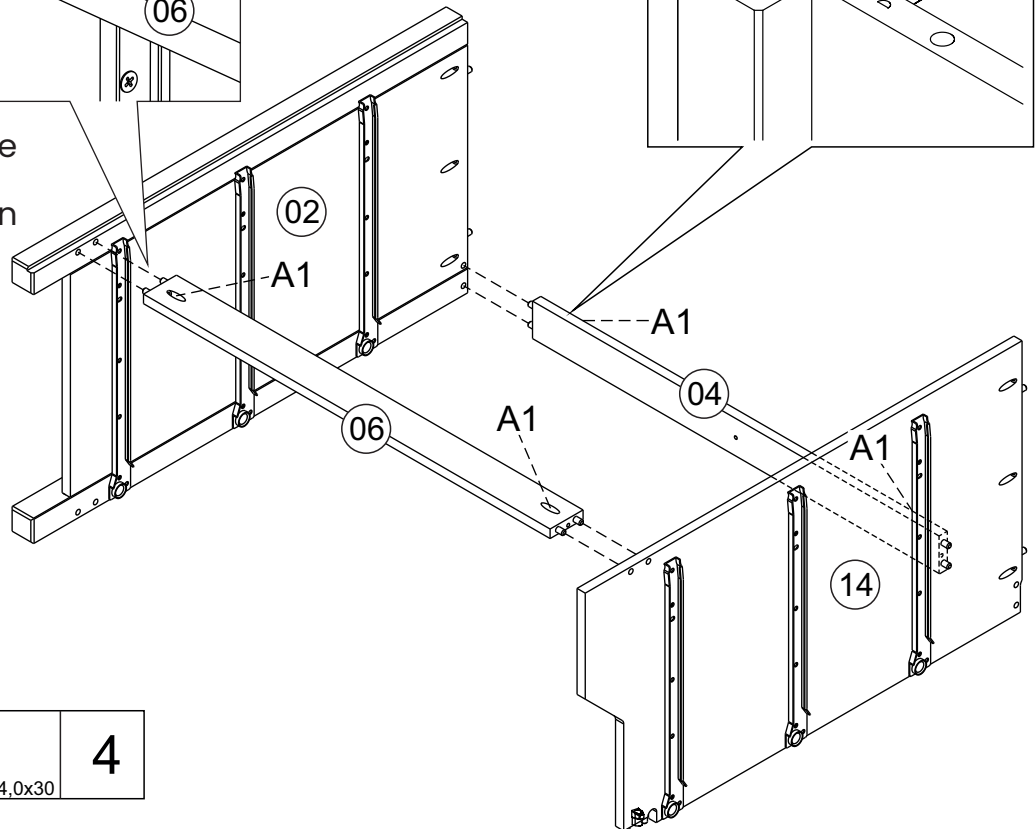
E13		RIGHT Side	3
330mm - 13"			


E14		LEFT Side	3
330mm - 13"			

4)



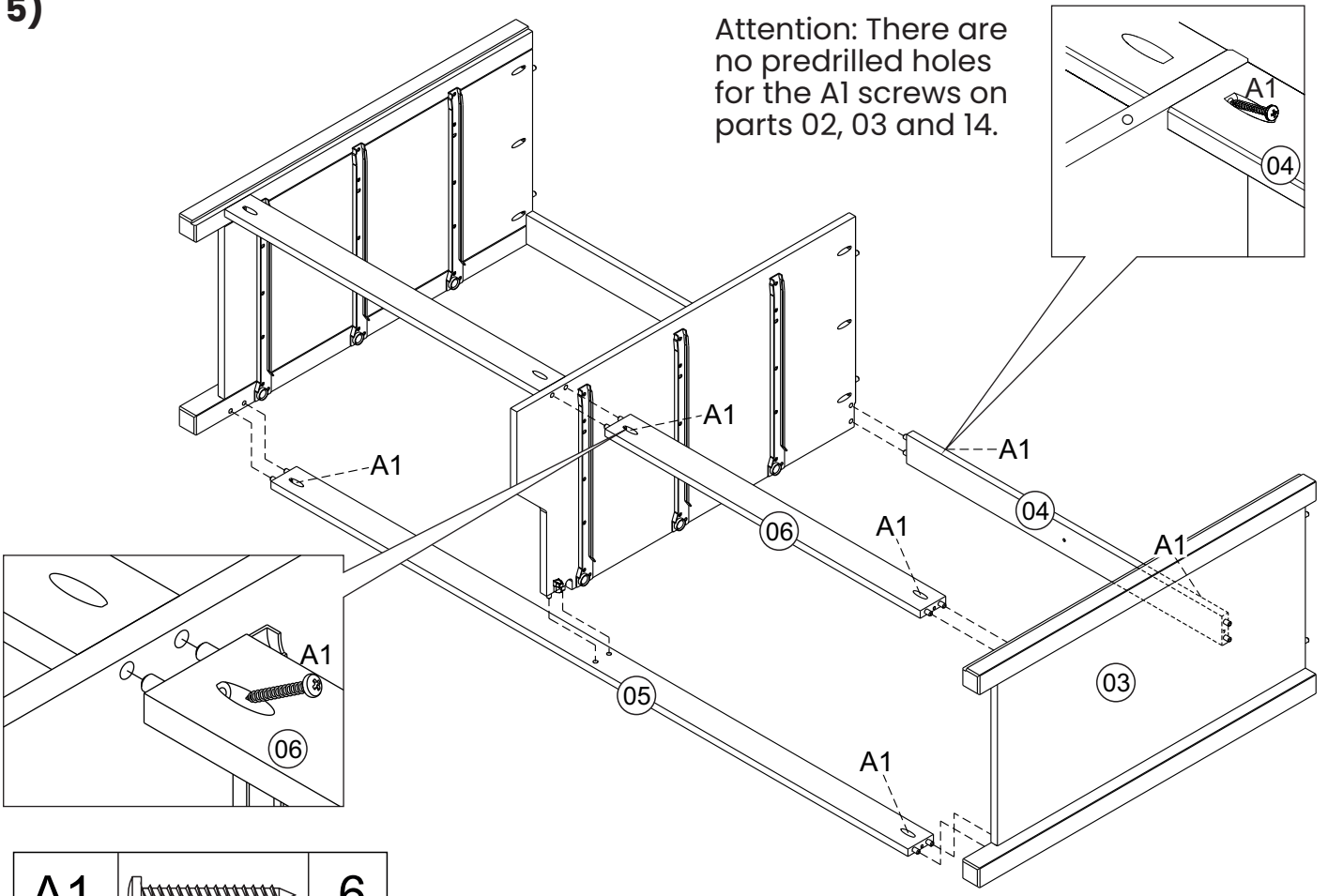
Attention: There are no predrilled holes for the A1 screws on parts 02 and 14.

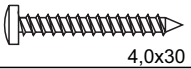


A1		4,0x30	4
----	---	--------	---

5)

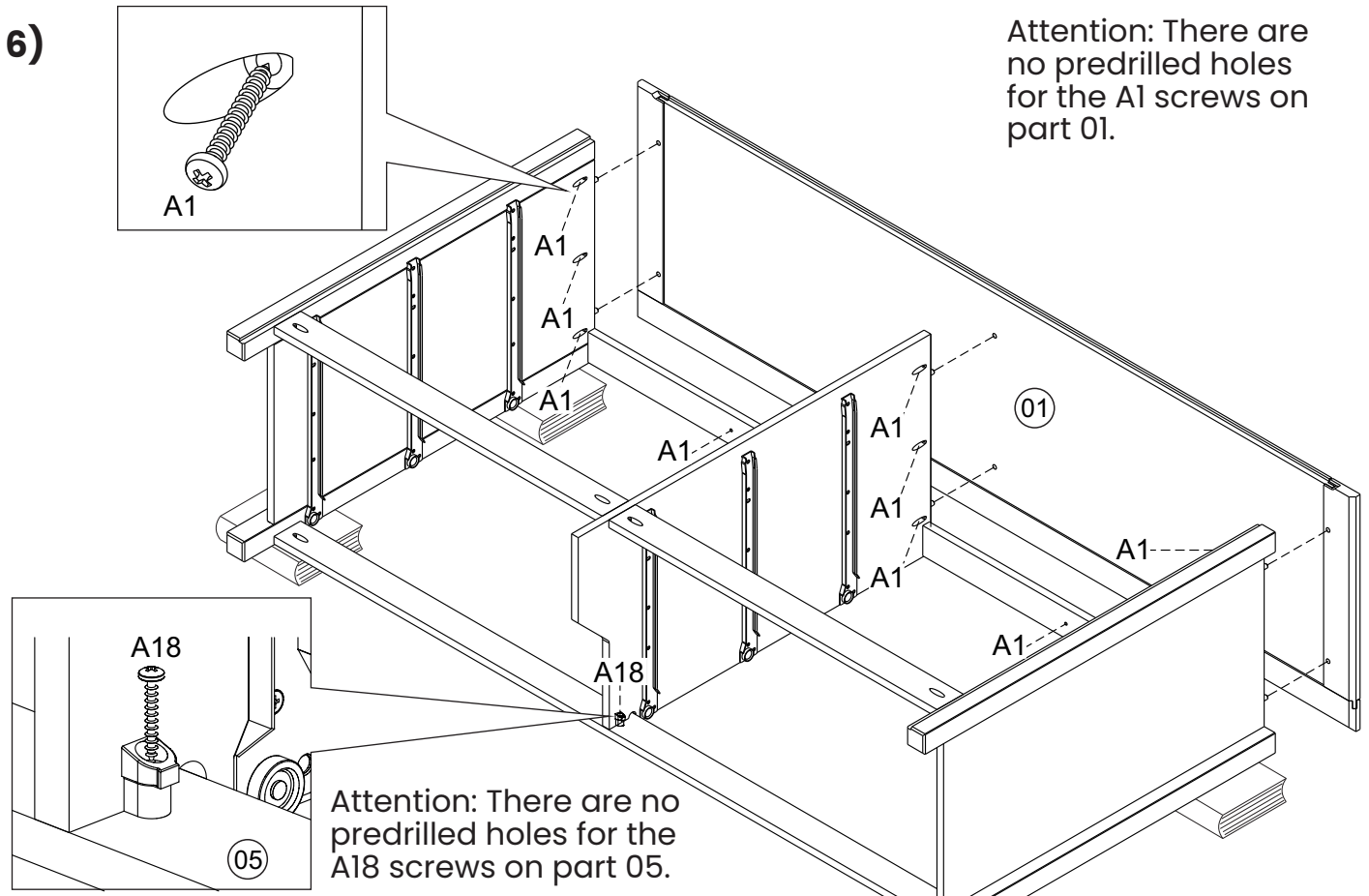
Attention: There are no predrilled holes for the A1 screws on parts 02, 03 and 14.




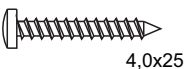
A1		6
	4,0x30	

6)

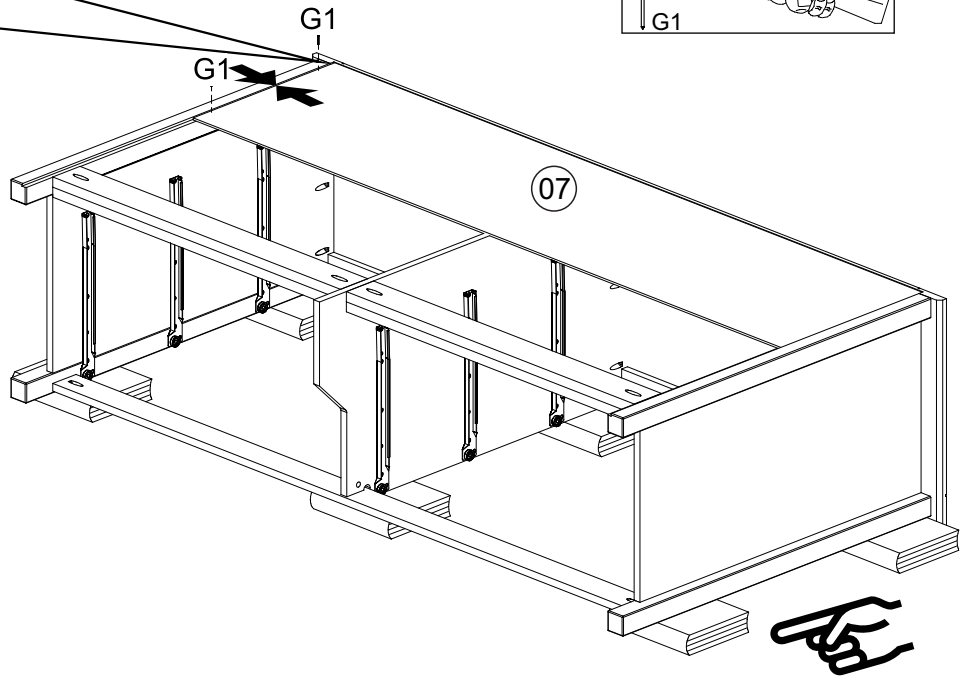
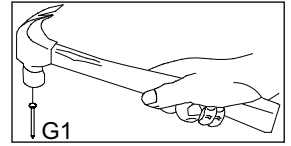
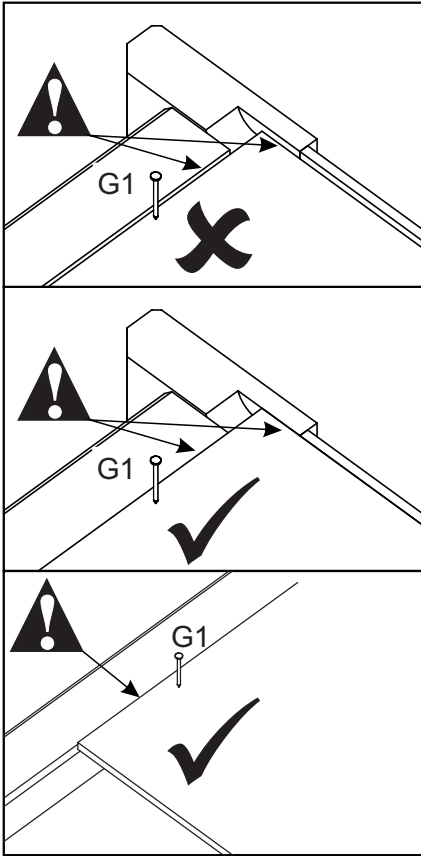
Attention: There are no predrilled holes for the A1 screws on part 01.

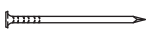


A1		11
	4,0x30	

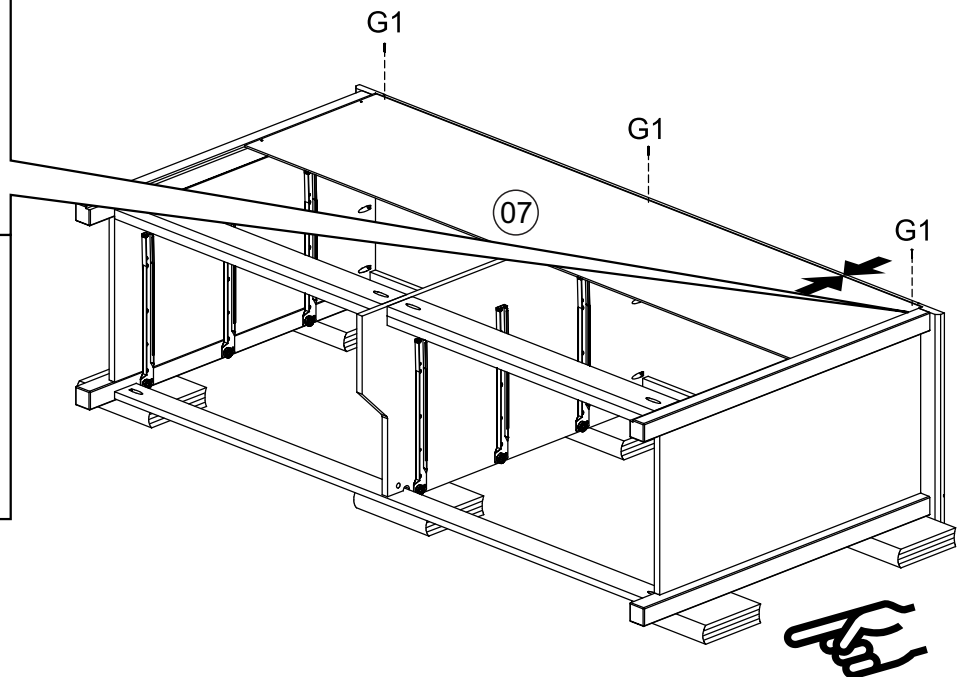
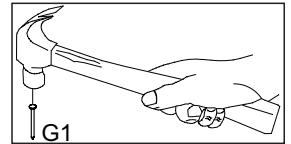
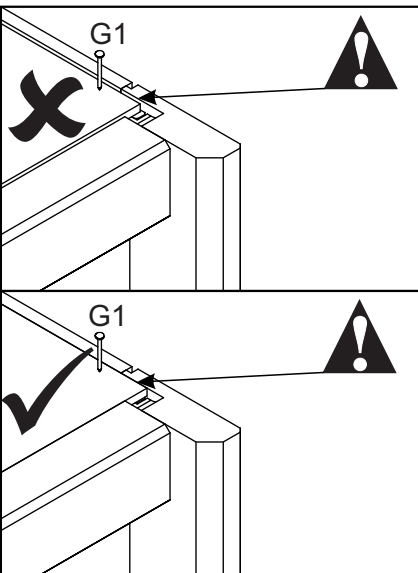
A18		1
	4,0x25	

7) Make sure back panels are perfectly aligned with side panels and top and there are NO gaps.



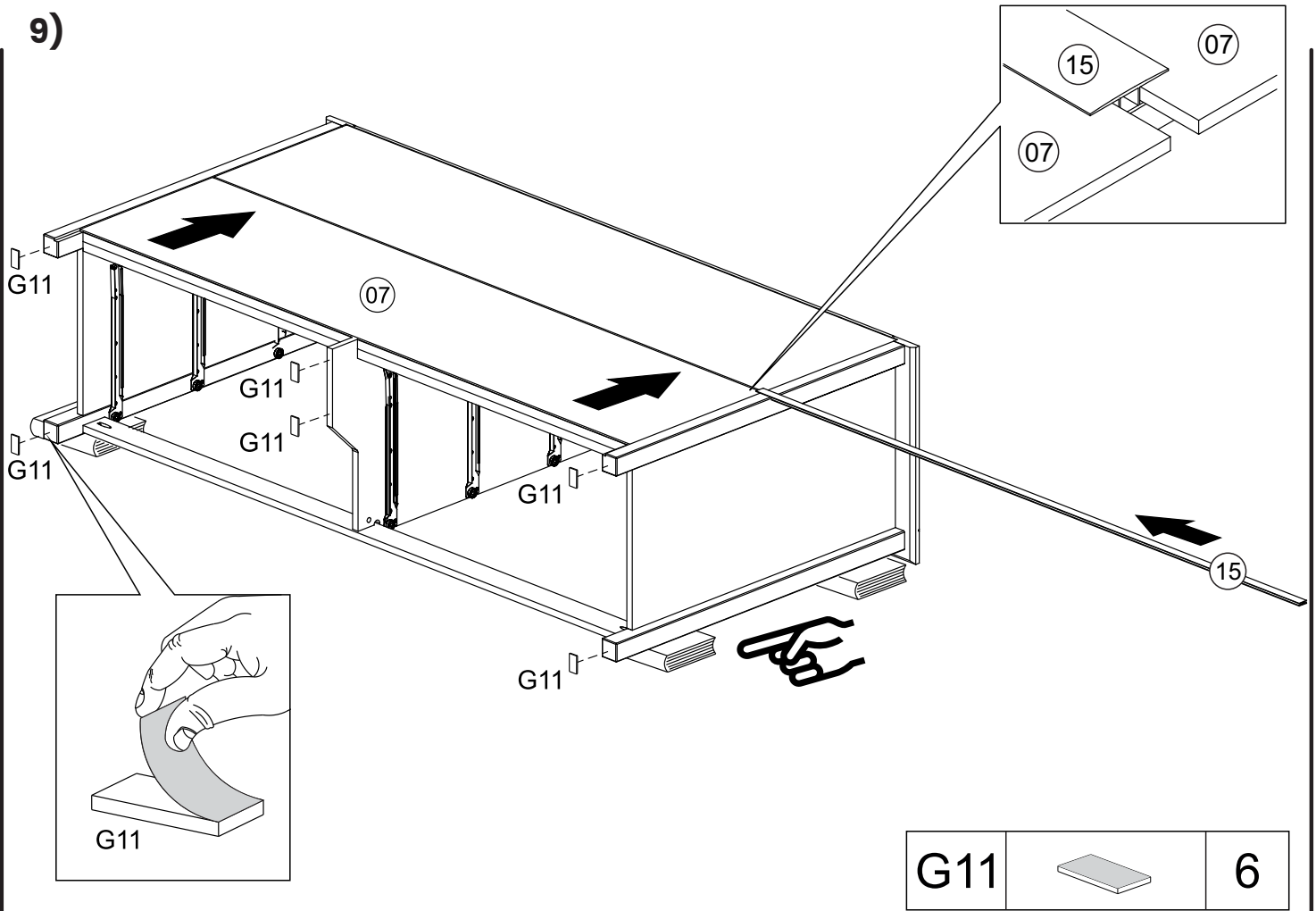
G1		2
10x10		

8)

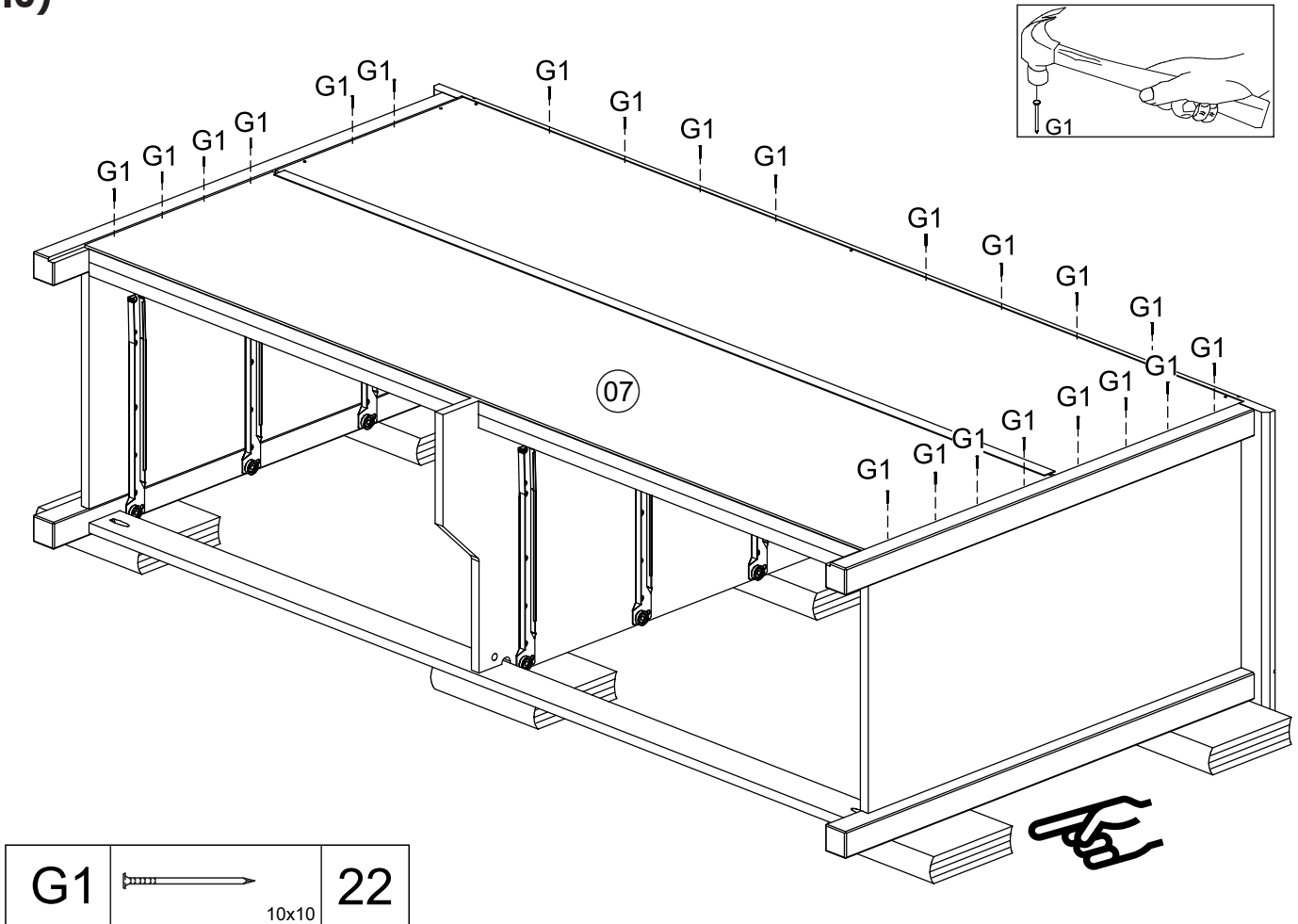


G1		3
10x10		

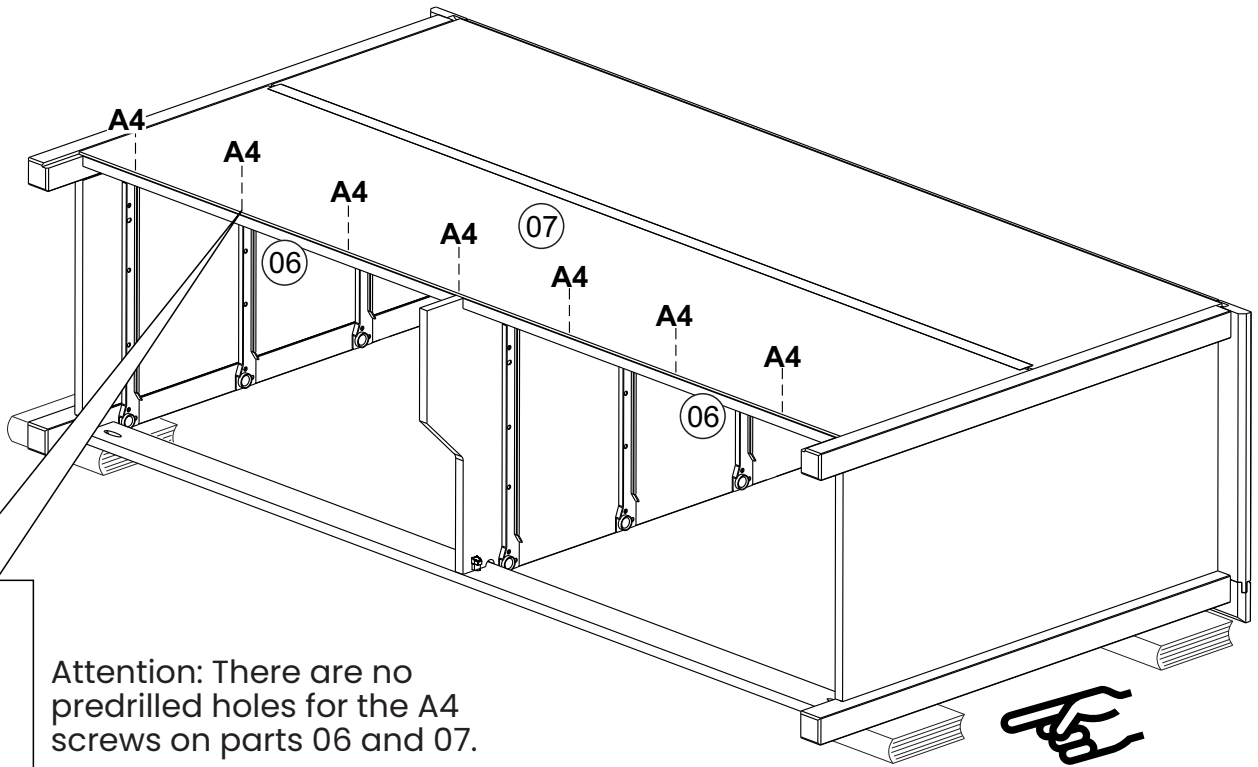
9)



10)




11)



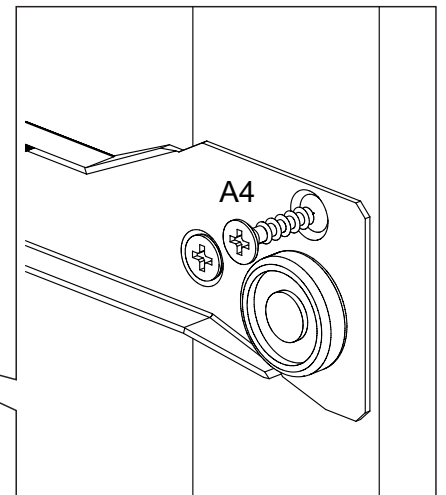
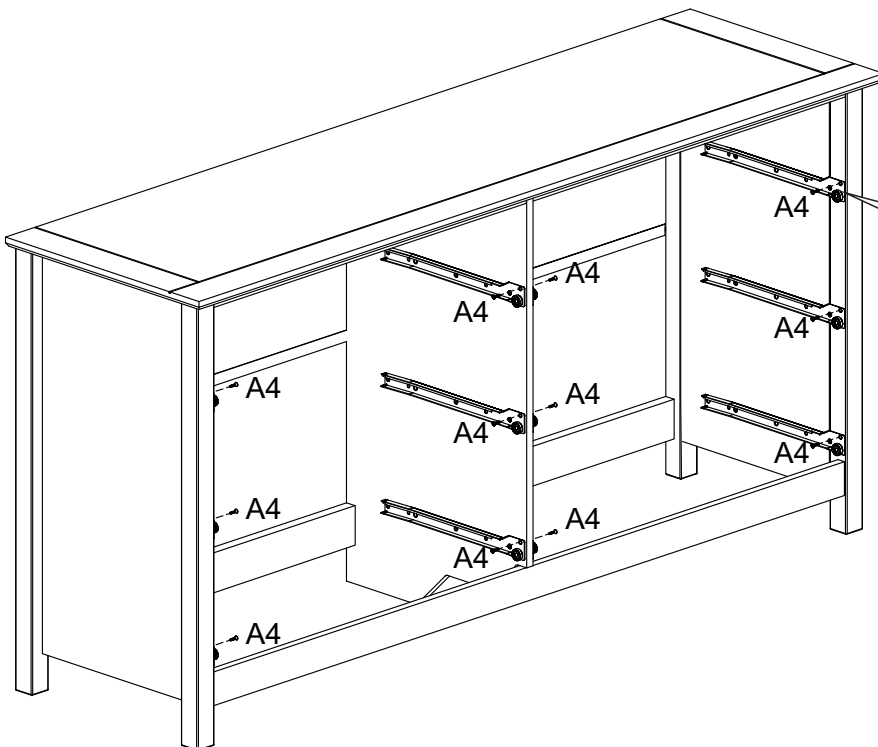
A4




Attention: There are no predrilled holes for the A4 screws on parts 06 and 07.

A4	 3,5x14	7
----	---	---

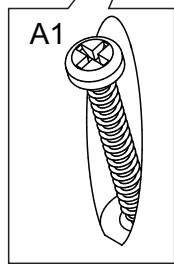
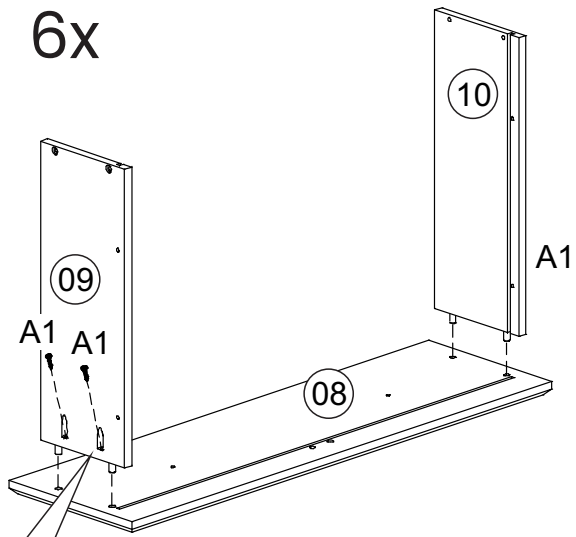
12)



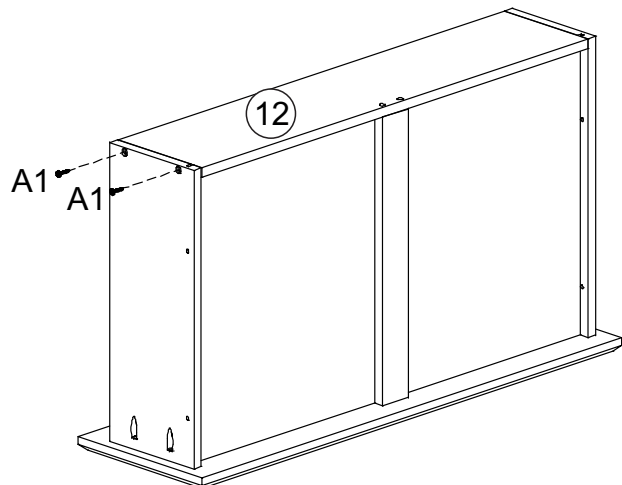
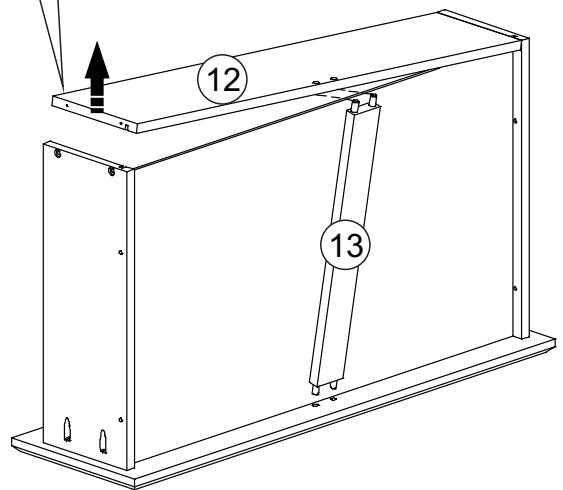
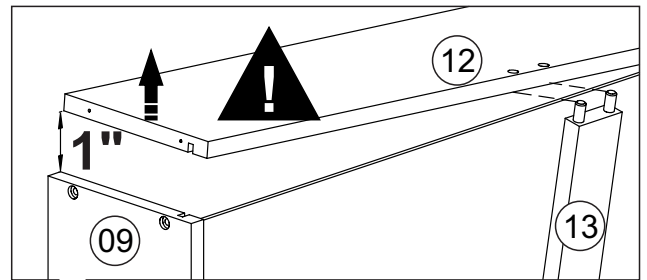
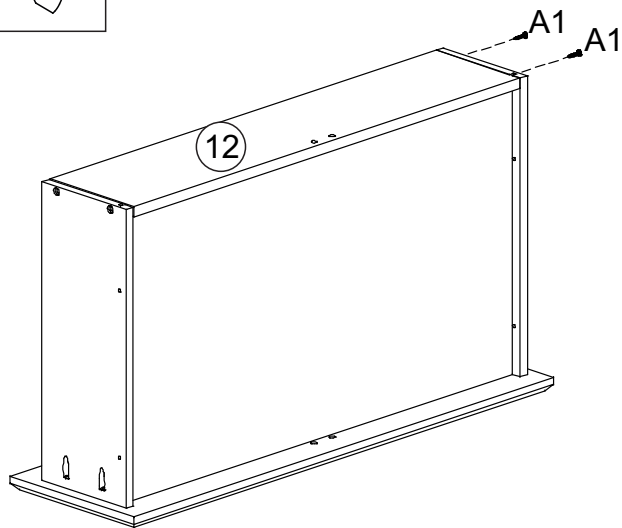
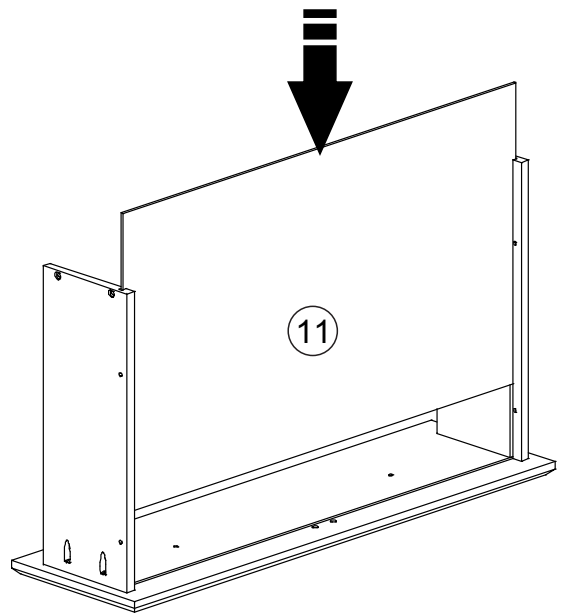
Attention: There are no predrilled holes for the A4 screws on parts 02, 03 and 14.


A4	 3,5x14	12
----	---	----

13) 6x

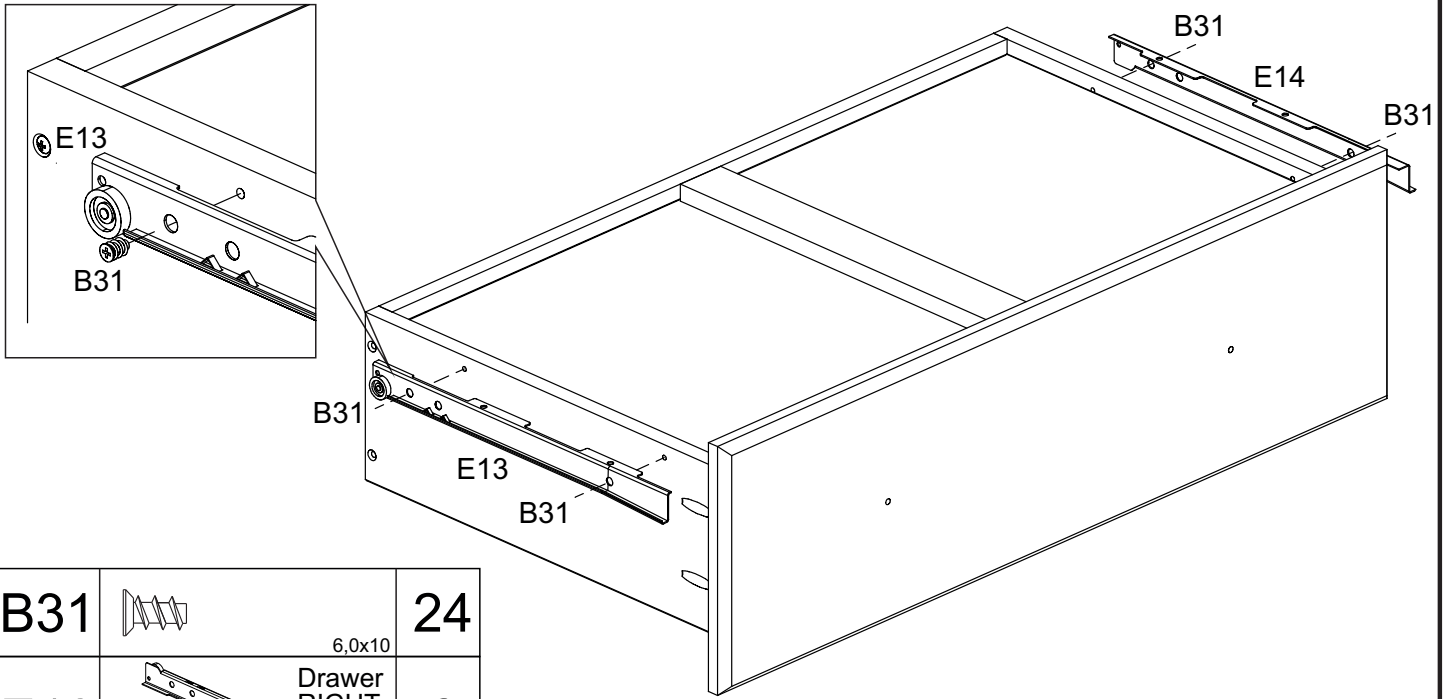



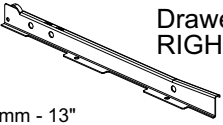
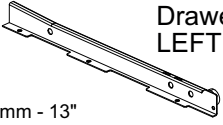
Attention: There are no predrilled holes for the A1 screws on part 08.



A1		48
		4,0x30

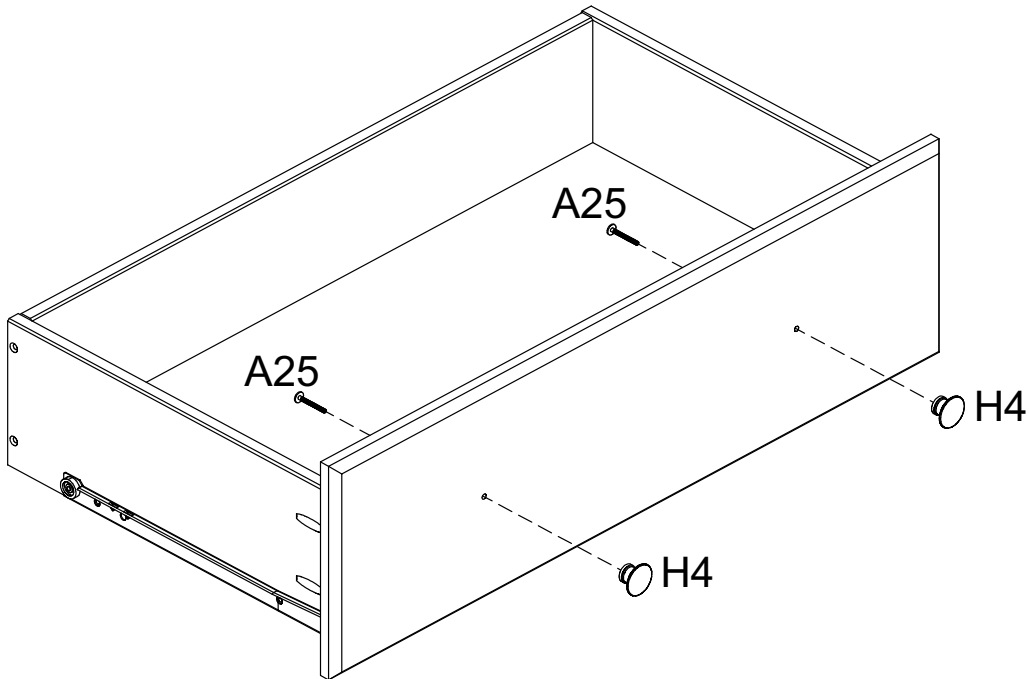
14) Flip the assembled drawer upside down to install glides.





B31		24
	6,0x10	
E13	 330mm - 13"	6
	Drawer RIGHT	
E14	 330mm - 13"	6
	Drawer LEFT	

6x

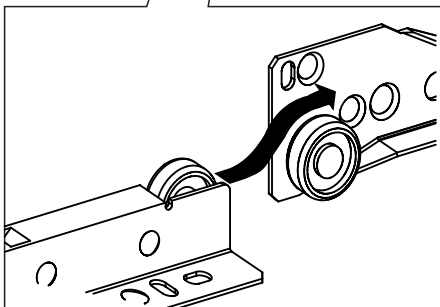
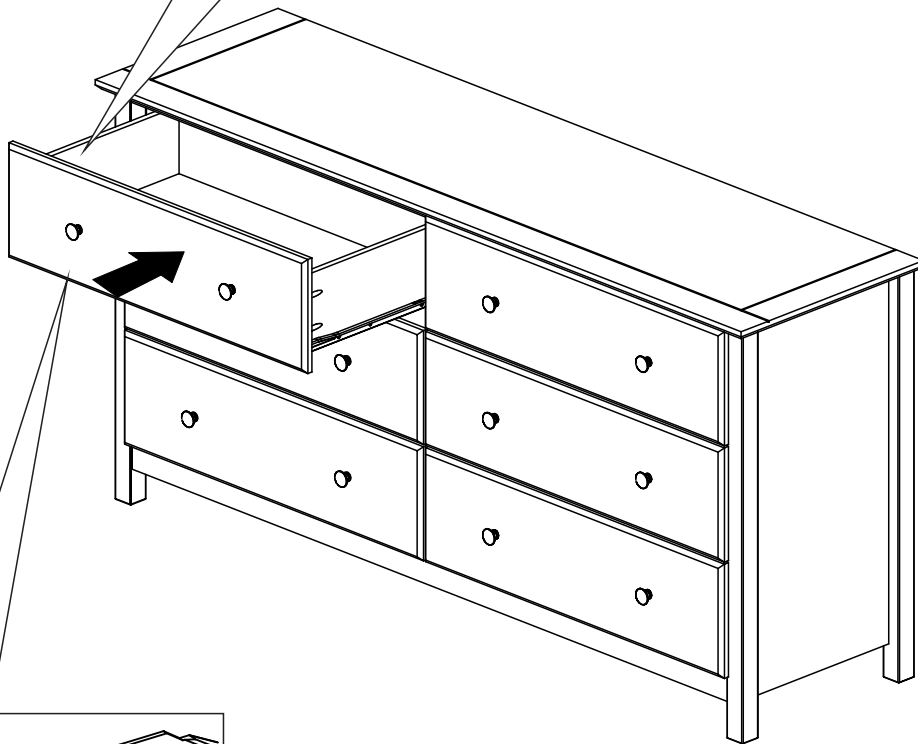
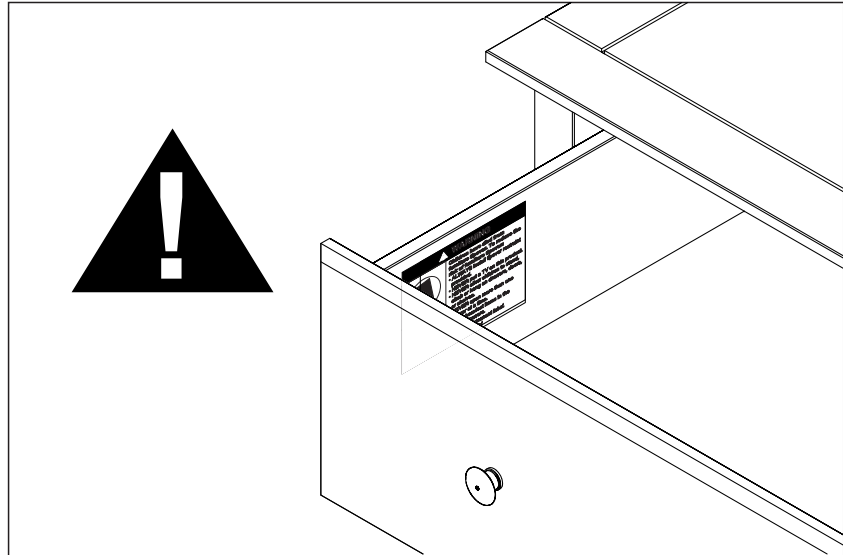
15) 6x



A25		12
	M4x25	
H4		12

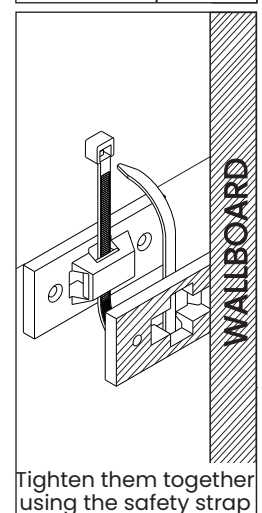
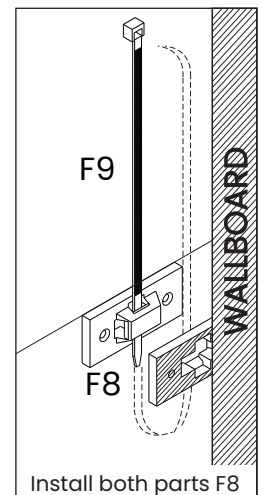
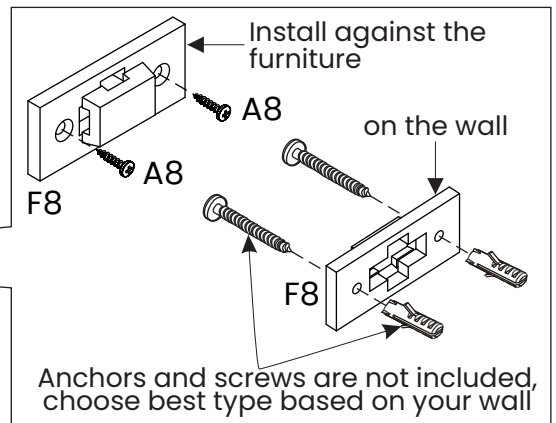
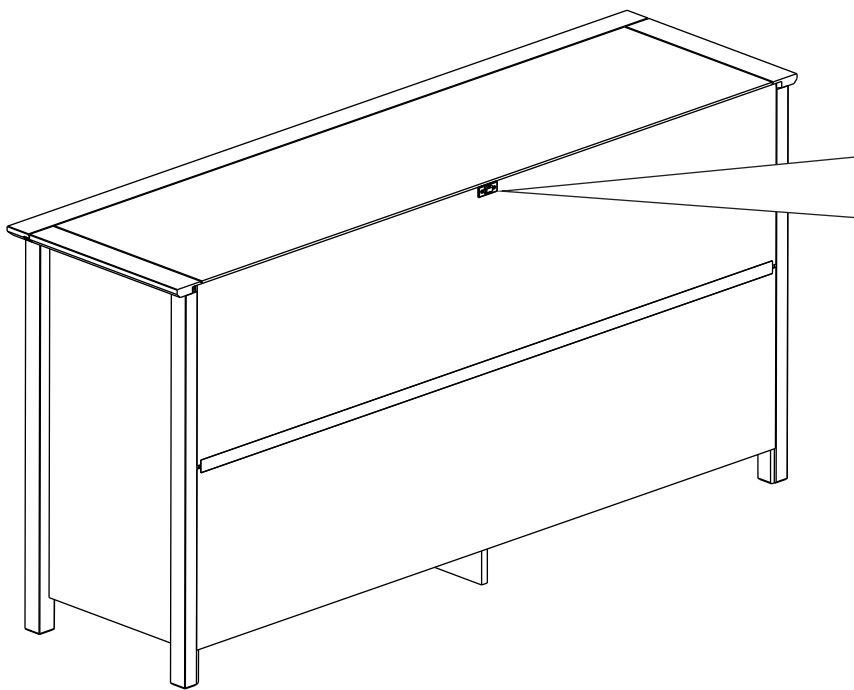
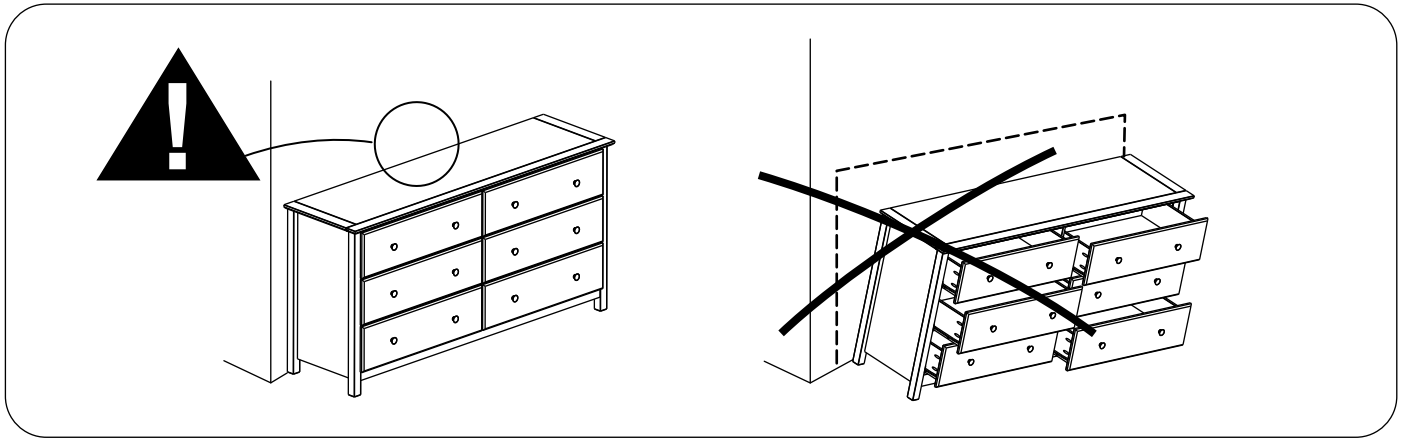
16)


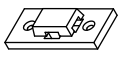

Place the labeled drawer on the top position



17)

ANTI-TIPPING RESTRAINT KIT



A8	 3,0x20	2
F8		2
F9		1