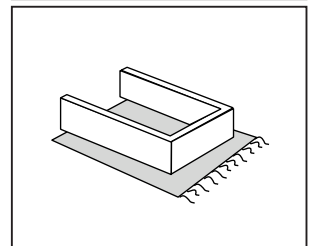
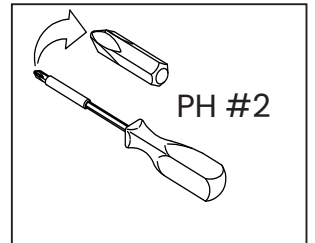
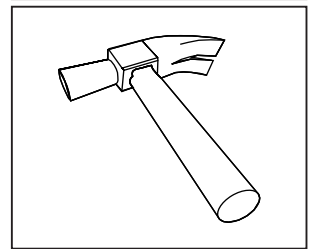
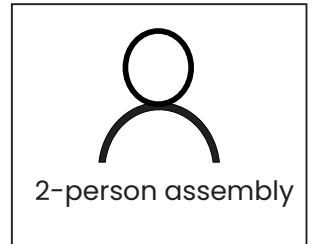
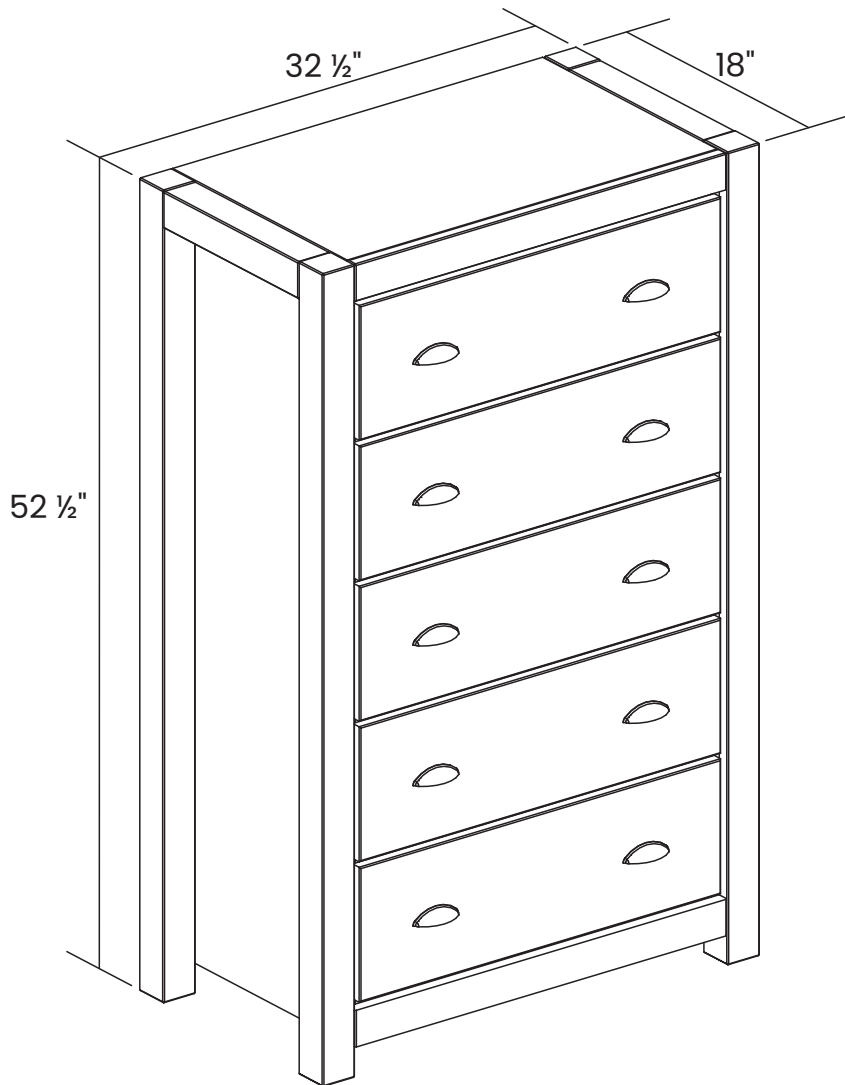


# Assembly Instructions



Model #	Finish
RMT0711	Rustic Walnut
RMT0712	Rustic Off-White
RMT0720	Rustic Grey
RMT0724	Driftwood

Thank you for choosing Grain Wood Furniture, it is an honor to be in your home!  
 If you have any questions, feedback, or need replacement parts please contact us at:  
[grainwoodfurniture.com/help](http://grainwoodfurniture.com/help) or [support@grainwoodfurniture.com](mailto:support@grainwoodfurniture.com)

**Montauk Collection**  
**5-Drawer Chest**

**GrainWood**  
 FURNITURE.COM

---

## PLEASE READ BELOW BEFORE BEGINNING ASSEMBLY

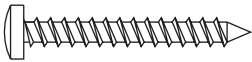





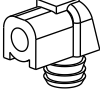

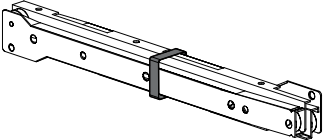



- Enlist help from a friend or family member as most items require two people for proper assembly.
- Choose a spacious, open area near where the piece will be located once assembled. It is easier to move parts than to relocate the furniture after it is fully assembled.
- Do not throw away packaging material until assembly is complete.
- Assemble the item on a soft surface, such as cardboard or an old blanket in order to protect the finish from possible dents or scratches.
- Lay out the parts in order and count them twice. In case any parts are missing or damaged, document the problem with pictures and contact support so we can make it right.
- Solid wood furniture may present imperfections such as wood knots, minor splits or cracks which are a natural aspect of the material. Whenever stability of the furniture is not compromised, we recommend customers perform cosmetic touch-ups with wax crayon fillers sold at all major hardware stores.
- It is best to use the tools provided in the box, such as a hex key, because they may be specially sized for the piece of furniture.
- We do not recommend the use of power drills as they can damage your furniture if not used correctly.
- Use a carpenter's square or hardcover book to check angles when assembling drawers and doors. If they are not at 90 degrees, they will not close properly.
- If you have any problems, we are here to help. Just go to [grainwoodfurniture.com/help](https://grainwoodfurniture.com/help).
- See [grainwoodfurniture.com/care-guide](https://grainwoodfurniture.com/care-guide) for suggestions that will help your furniture last for years.


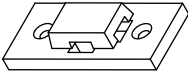



[grainwoodfurniture.com/assembly-troubleshooting](https://grainwoodfurniture.com/assembly-troubleshooting)

**Enjoy your 100% solid wood furniture!**

# HARDWARE LIST

A1	 4,0x30	56 + 2
A5	 3,5x16	26 + 2
A15	 M4x22	20 + 2
A40	 4,0x45	12
B31	 6,0x10	40 + 2
C1	 8,0x30	72 + 2
D21		4
D34		3
E13		5
E14		5
G1	 10x10	28
G17	 50x50	4
H6	 PZ04	10

FURNITURE ANTI-TIPPING RESTRAINT KIT		
A8	 3,0x20	2 + 1
F8		2
F9	 15x30	1

## ATTENTION

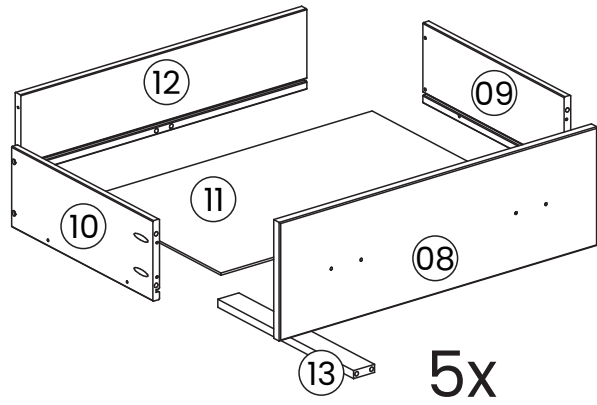
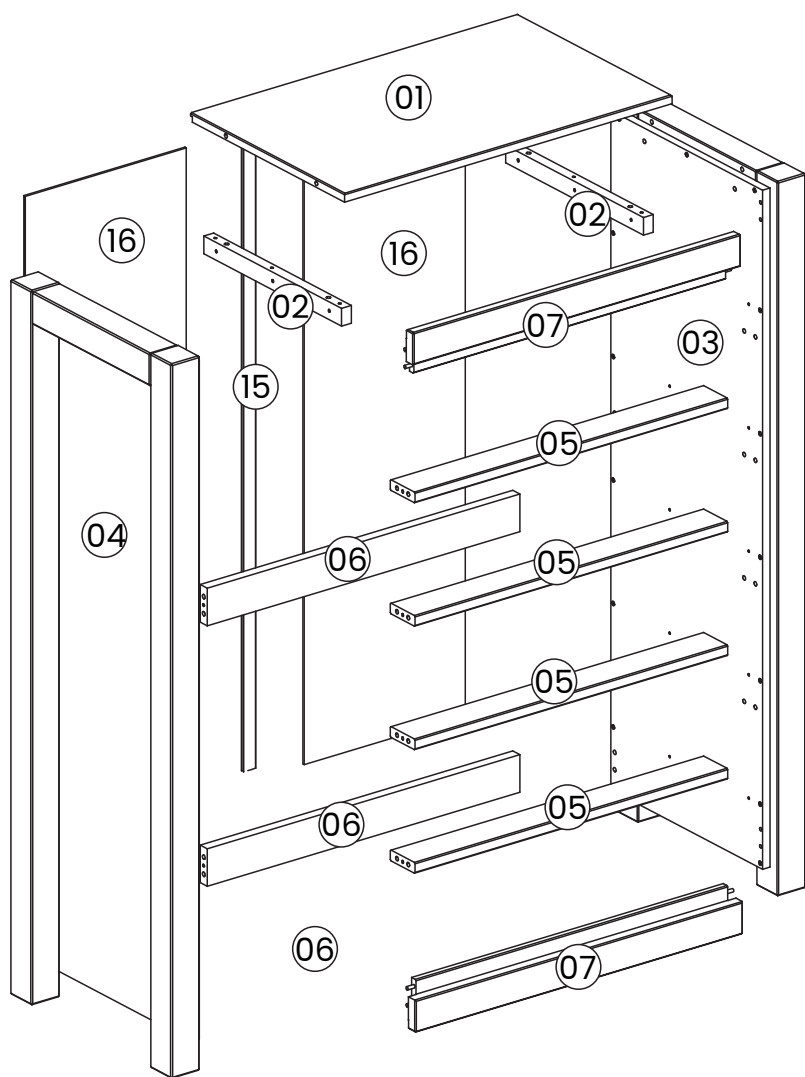
Before starting assembly please verify the hardware set is complete.

For missing hardware please contact us at [grainwoodfurniture.com/help](http://grainwoodfurniture.com/help)

### WARNING:

#### CHOKING HAZARD

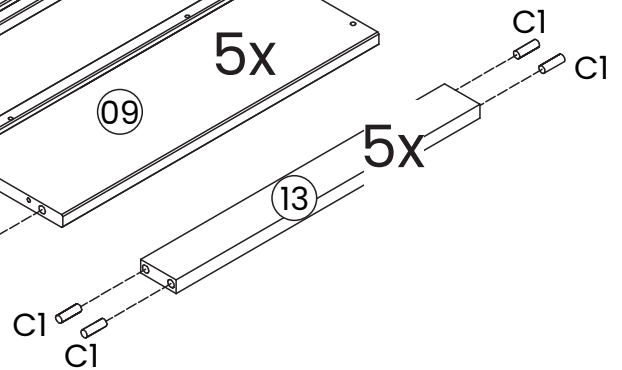
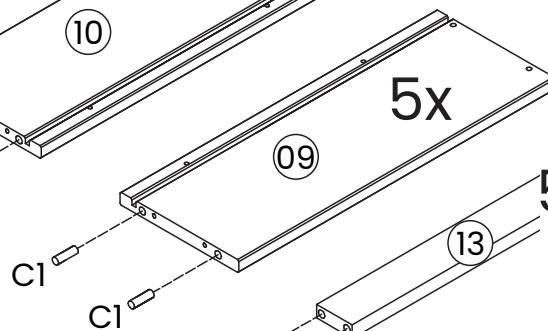
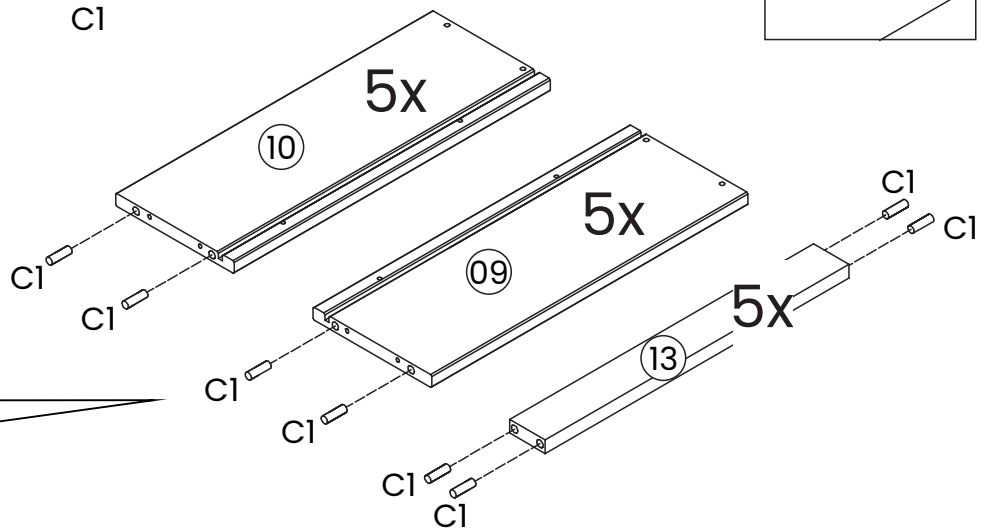
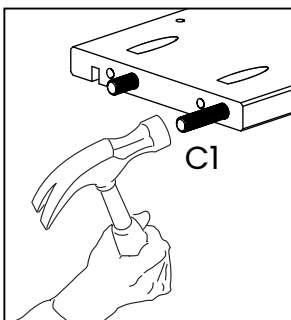
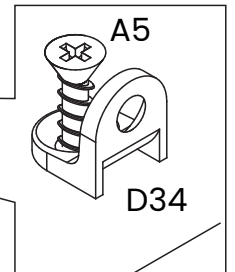
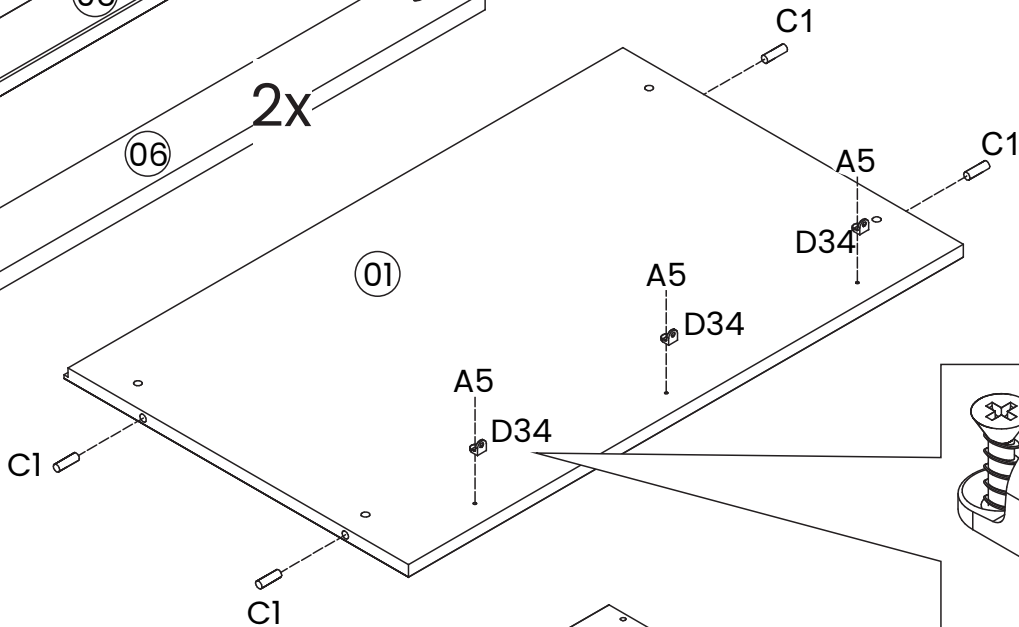
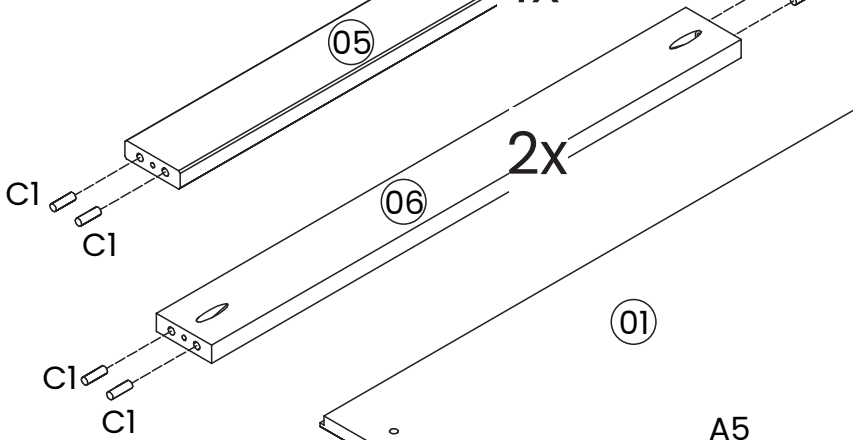
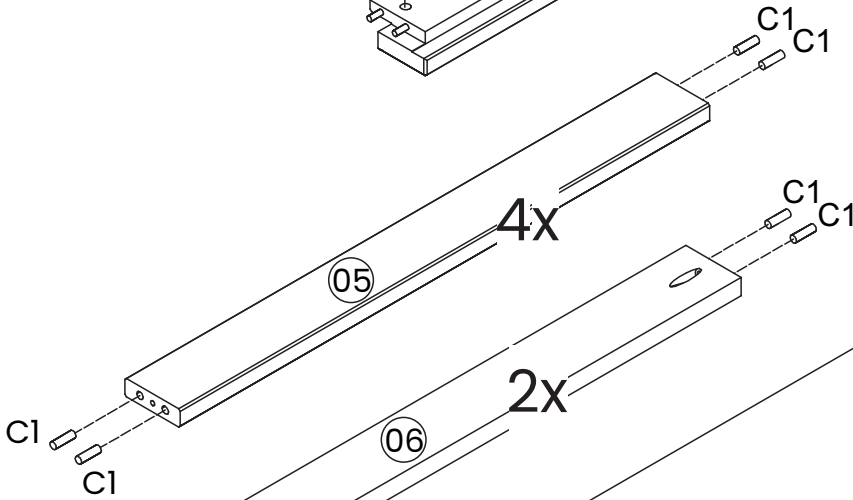
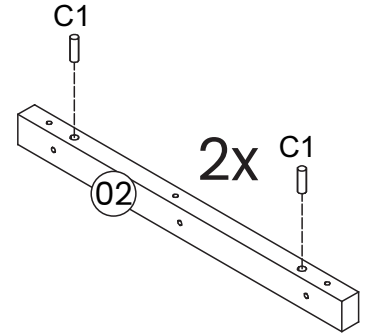
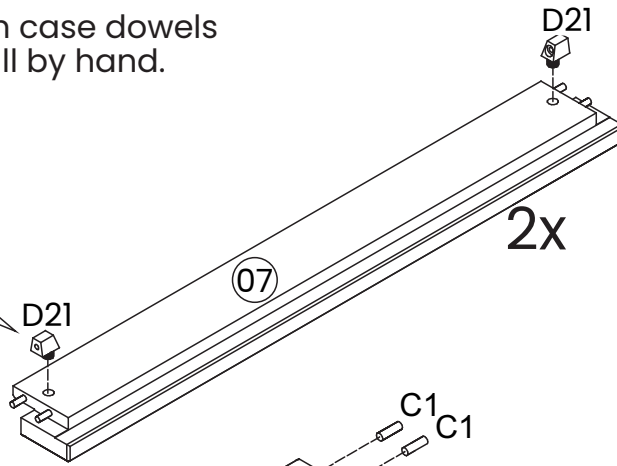
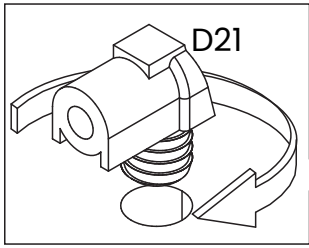
Small parts, not for children.  
To be assembled by an adult.







BOX 1		
Part #	Description	Qty.
01	Top	1
02	Cleat	2
05	Middle crosspiece	4
06	Rear crosspiece	2
07	Upper/ lower crosspiece	2
08	Drawer front	5
11	Drawer bottom	5
12	Drawer back	5
13	Drawer bottom support	5

BOX 2		
Part #	Description	Qty.
03	Right side	1
04	Left side	1
09	Drawer right side	5
10	Drawer left side	5
15	Profile "H"	1
16	Back panel	2
HW	Hardware	1

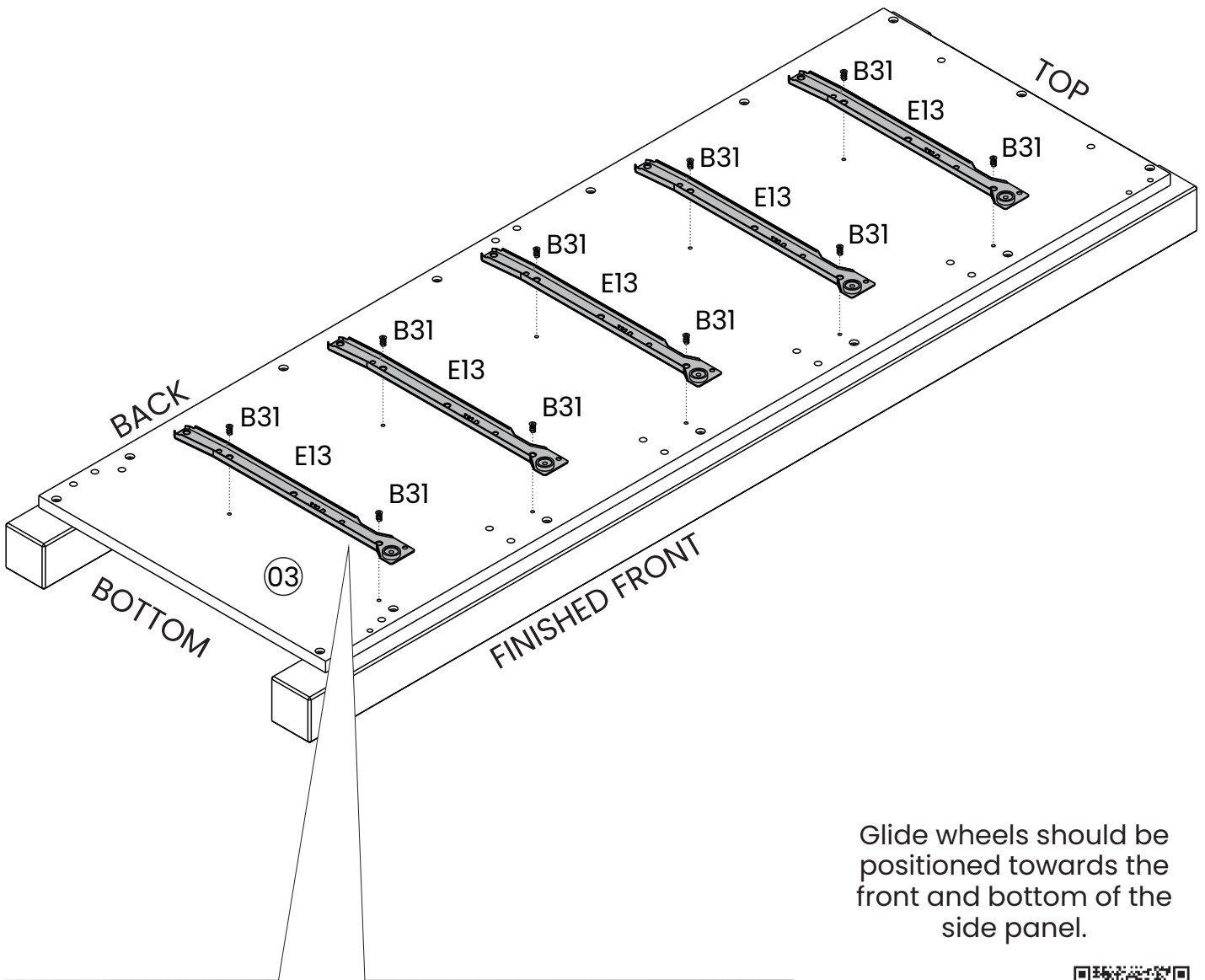
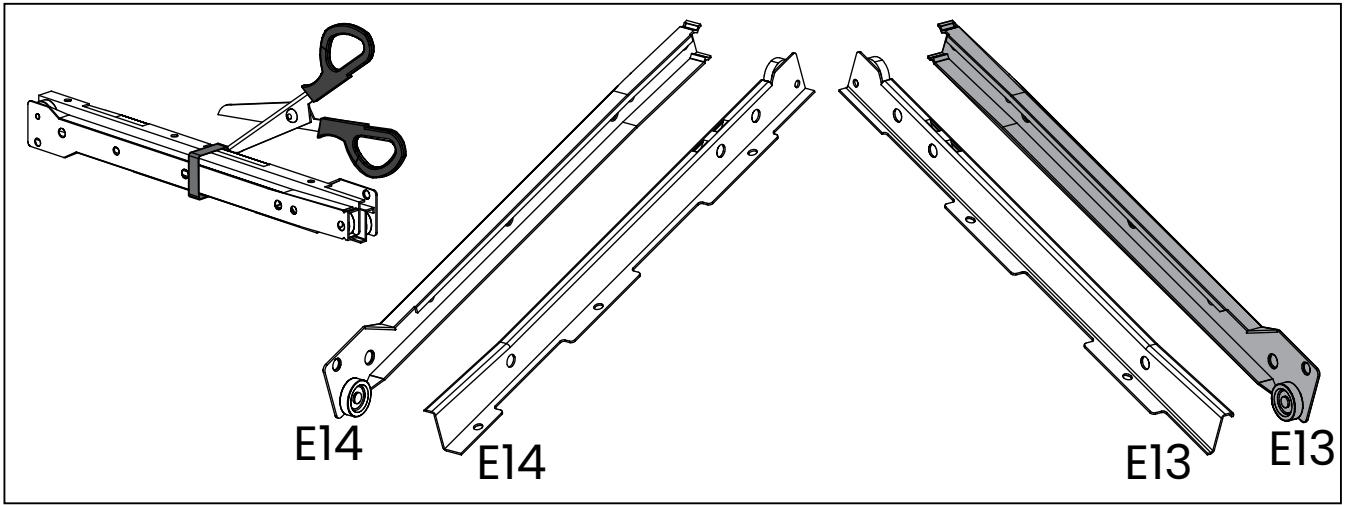
1) Tip:  
Use a hammer in case dowels  
are hard to install by hand.



A5		03
	3,5x16	
C1		72
	8,0x30	

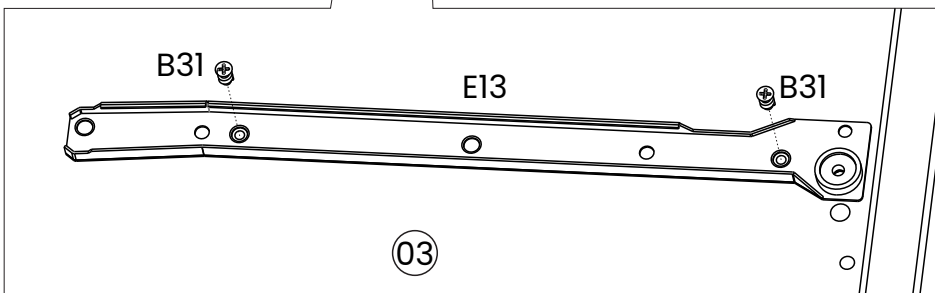
D21		04
D34		03



2)



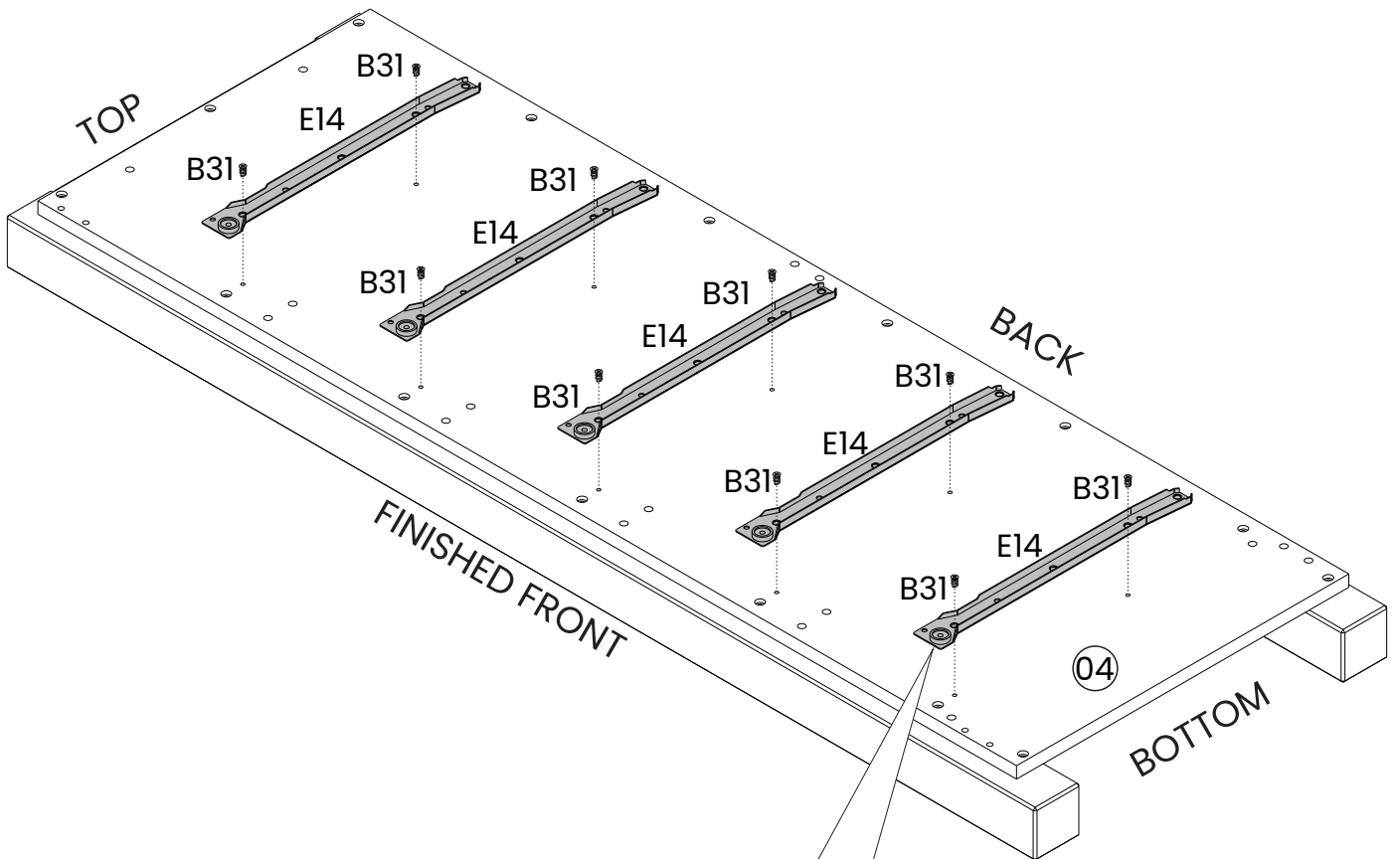
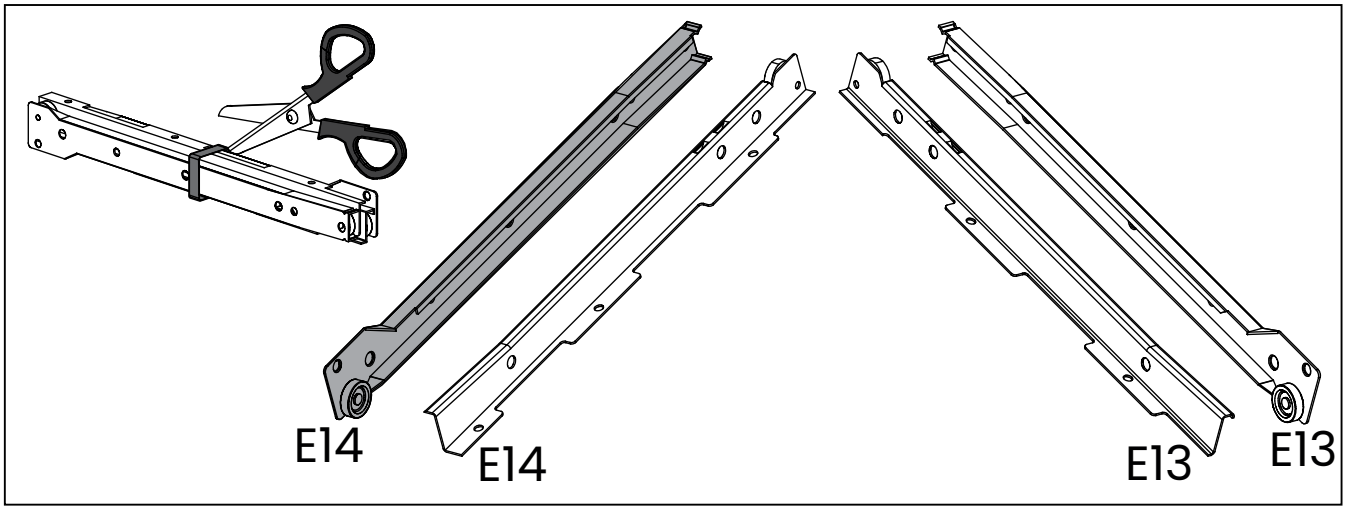
Glide wheels should be positioned towards the front and bottom of the side panel.

Need help?  
Scan the QR code.

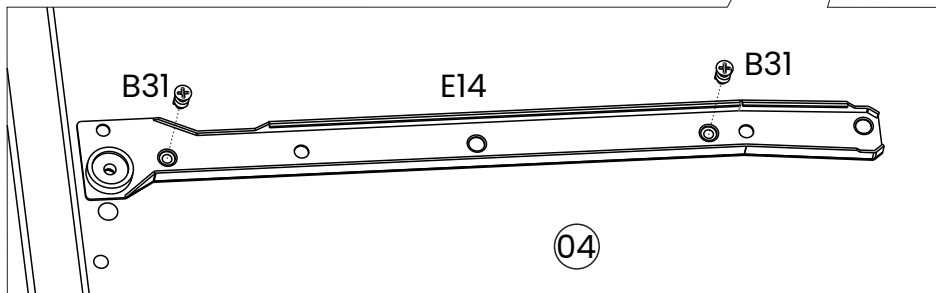


B31	 6,0x10	10
E13	 RIGHT Side	5

3)


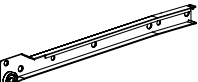


Glide wheels should be positioned towards the front and bottom of the side panel.

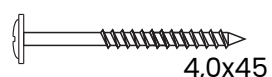


Need help?  
Scan the QR code.

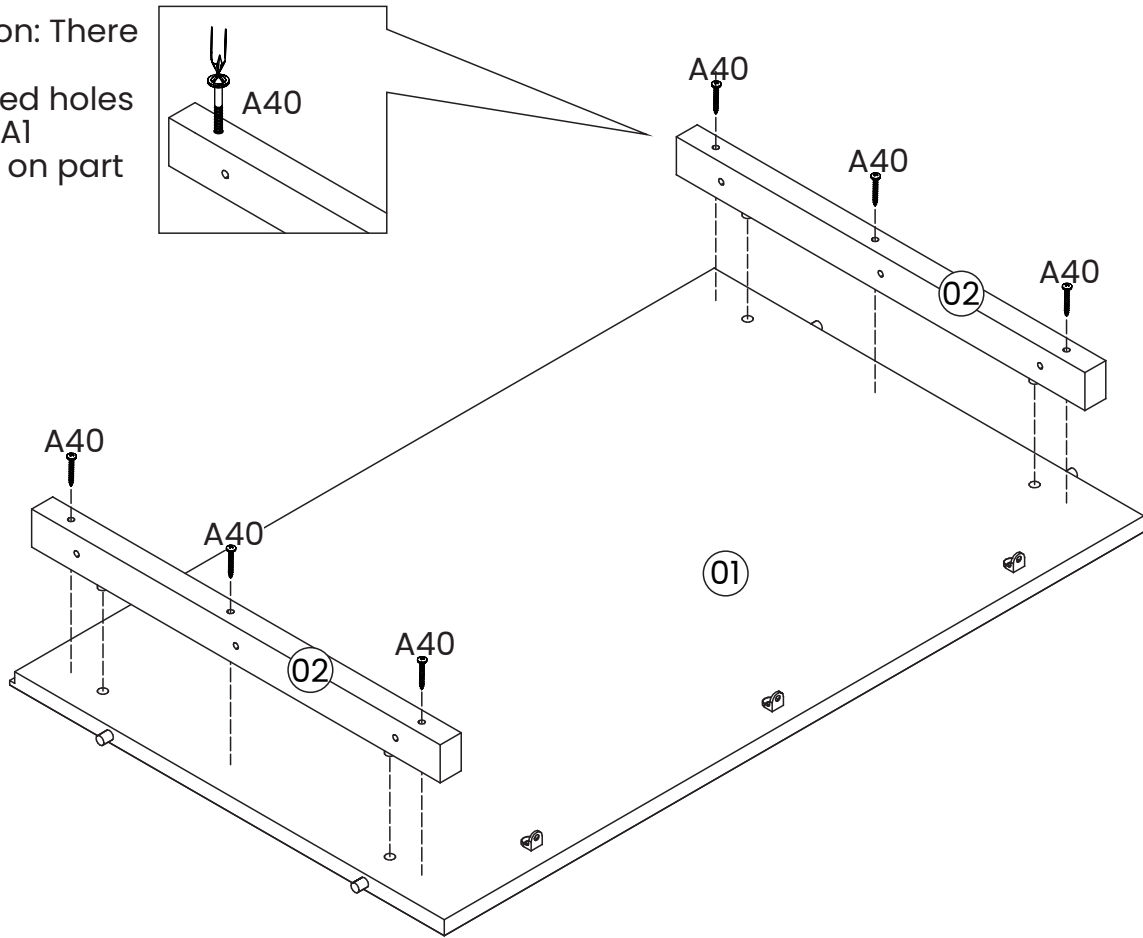


B31	 6,0x10	10
E14	LEFT Side 	5

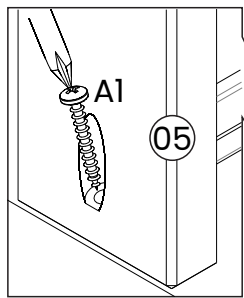
4)

A40		6
-----	--	---

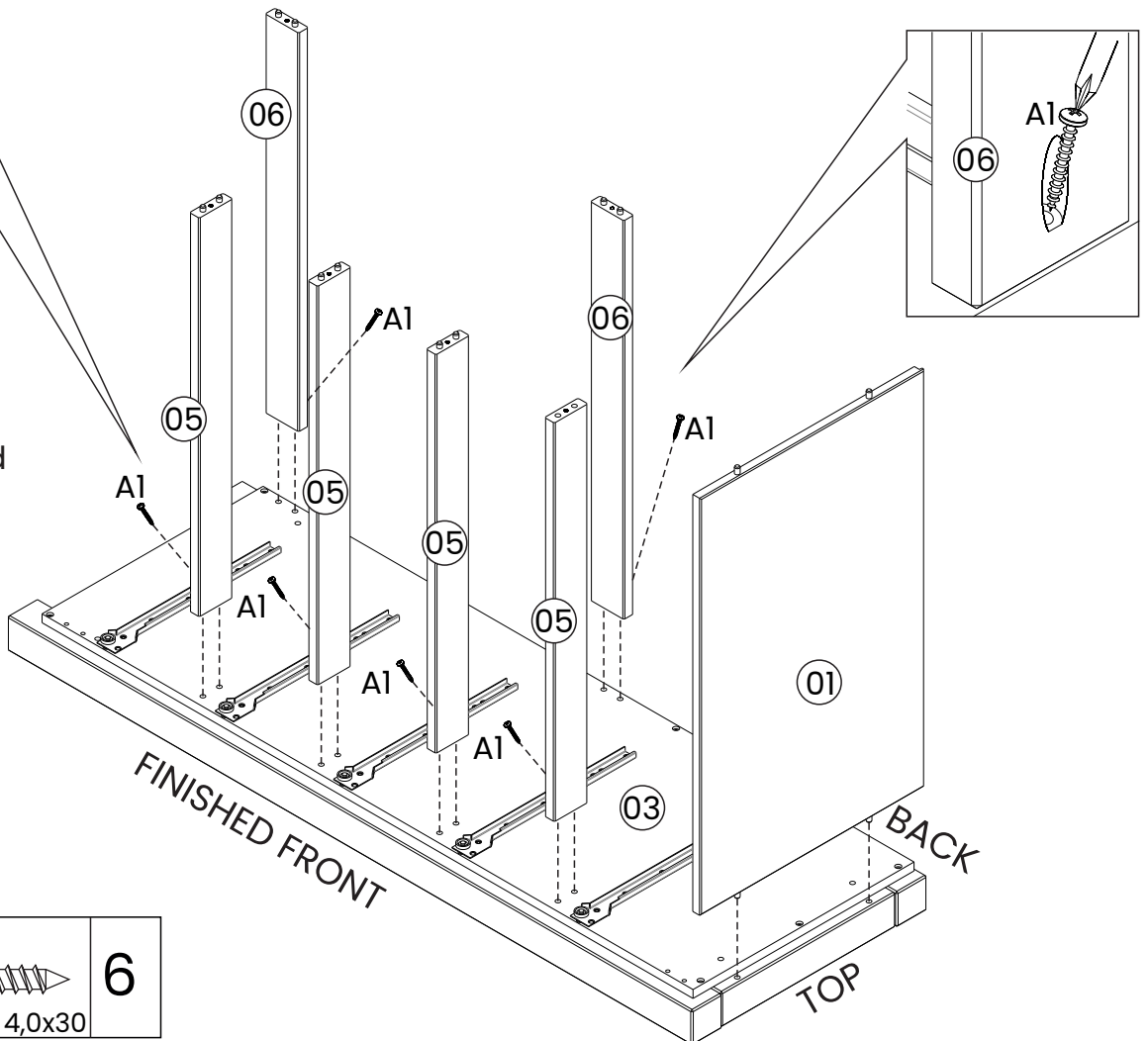
Attention: There are no predrilled holes for the A1 screws on part 01.

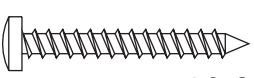


5)



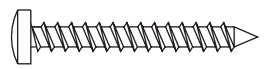
Attention: There are no predrilled holes for the A1 screws on part 03.

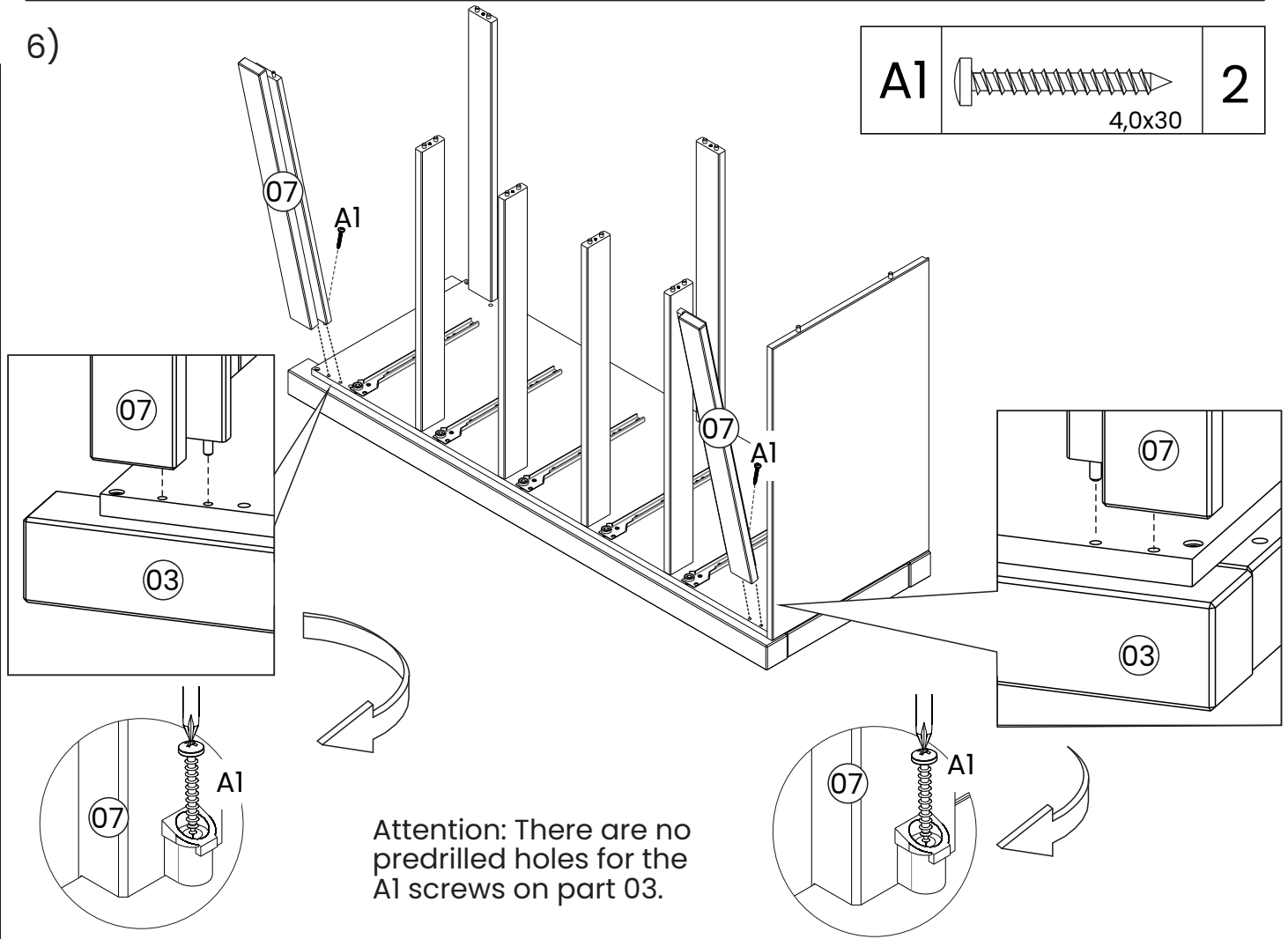


A1		6
----	---	---

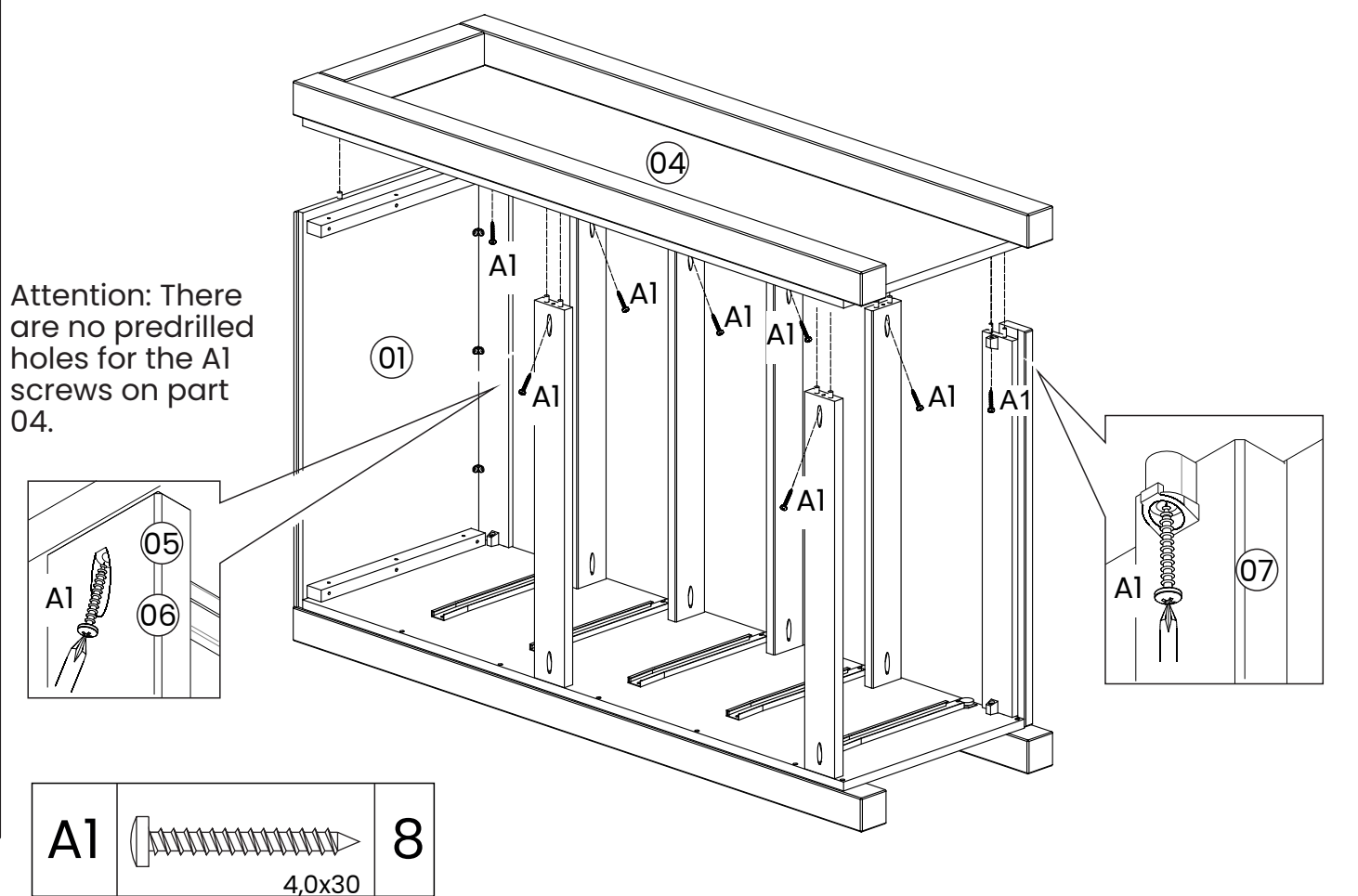


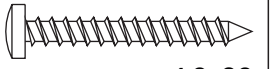
6)

A1		2
		4,0x30

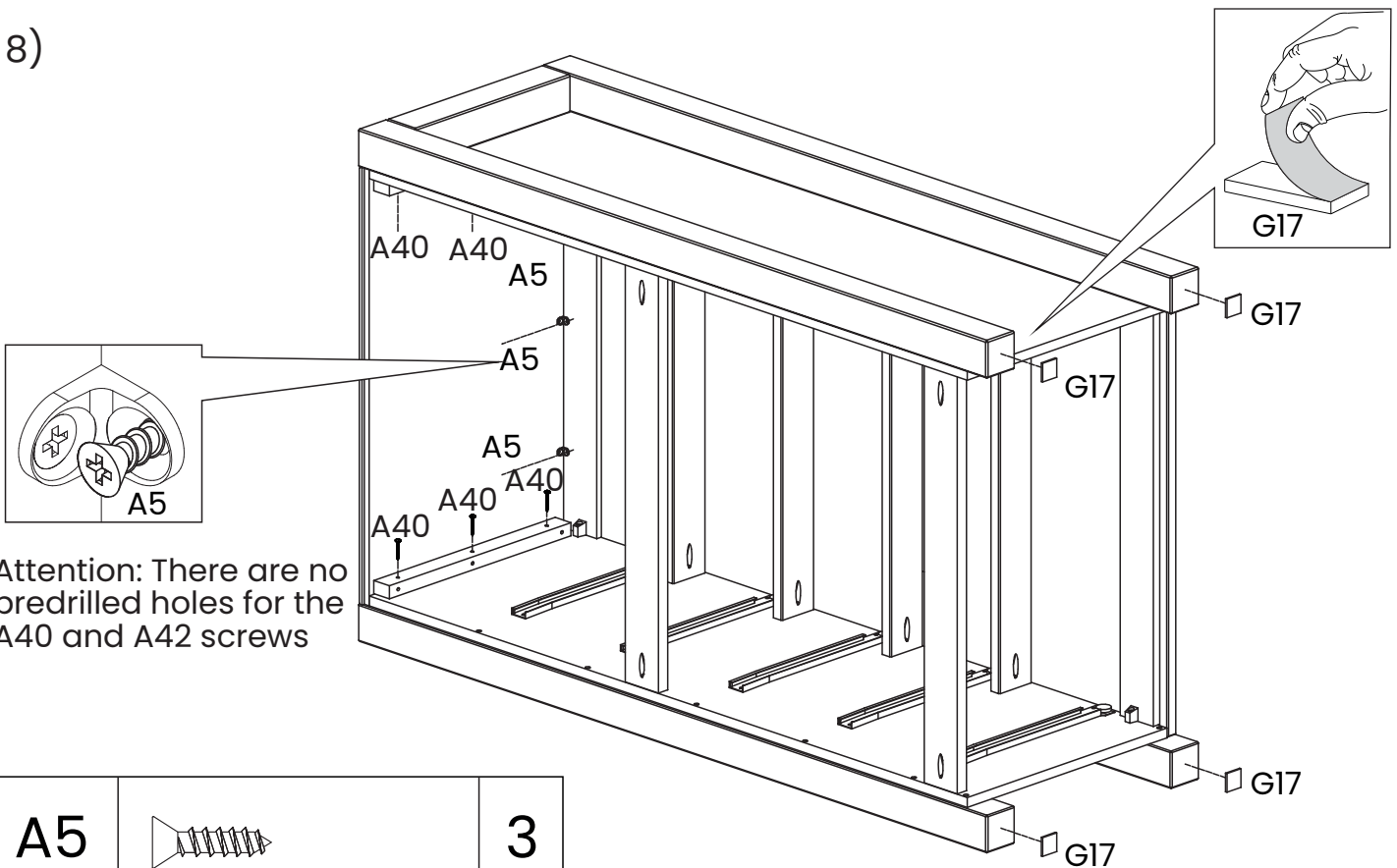


7)

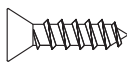



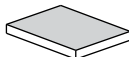
A1		8
		4,0x30

8)

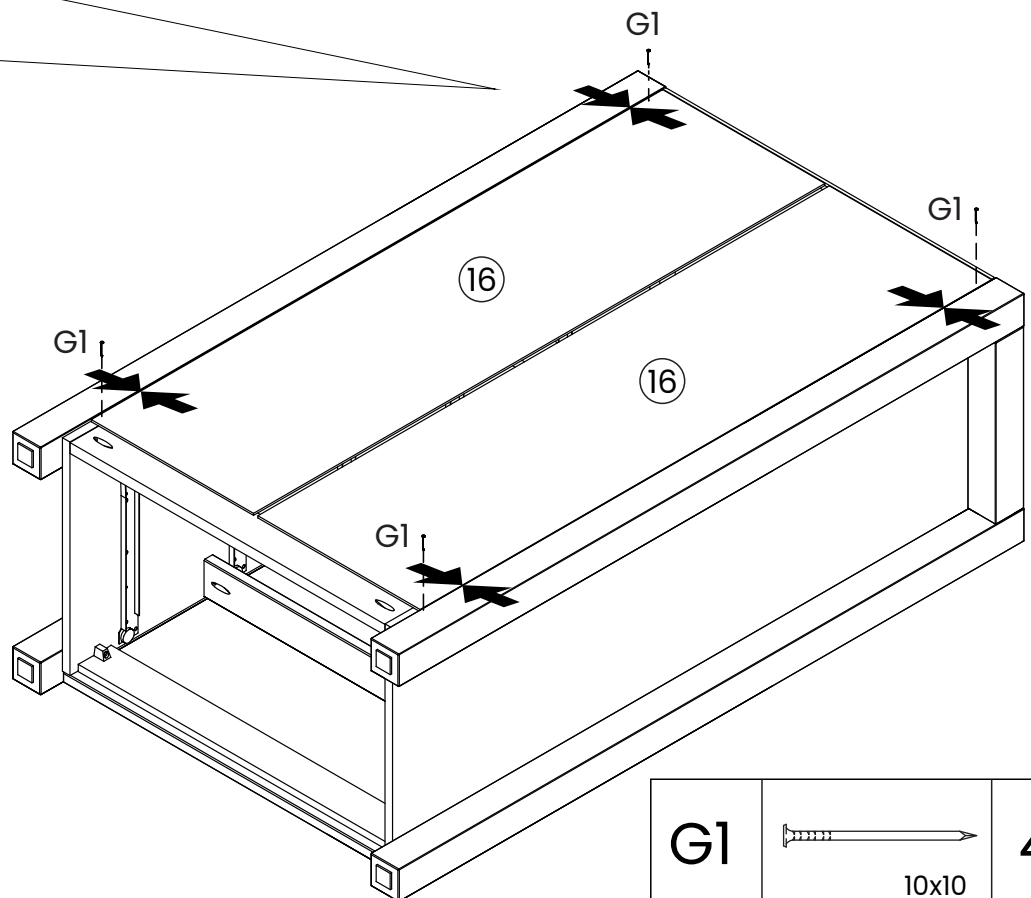
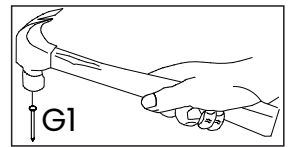
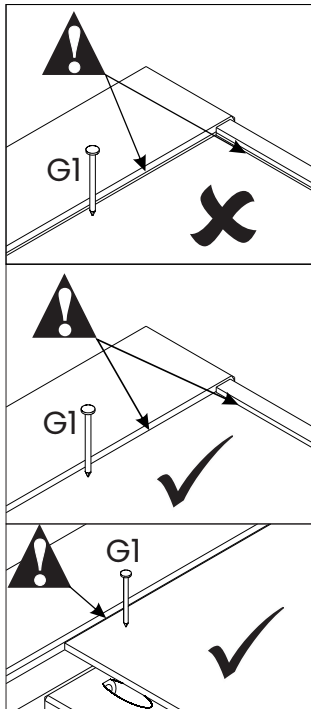


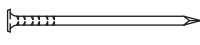
Attention: There are no predrilled holes for the A40 and A42 screws

A5		3
	3,5x16	
A40		6
	4,0x45	

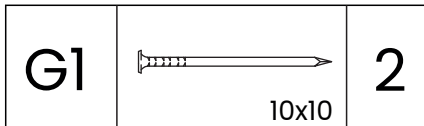
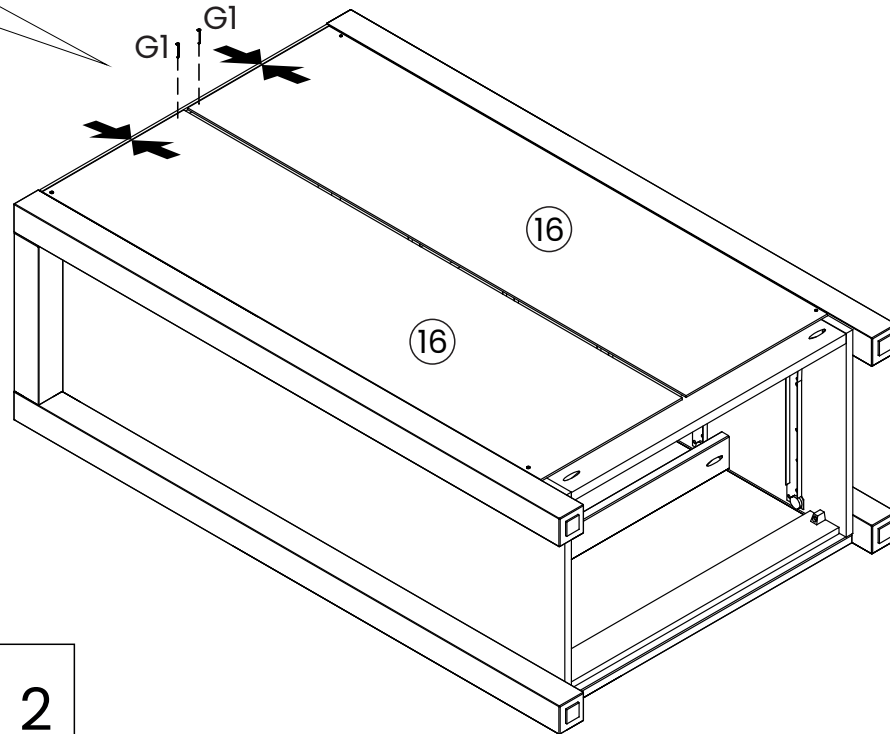
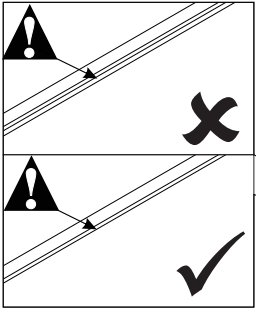
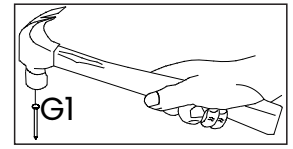
G17		4
-----	--	---

9) Make sure back panels are perfectly aligned with side panels and top and there are NO gaps.

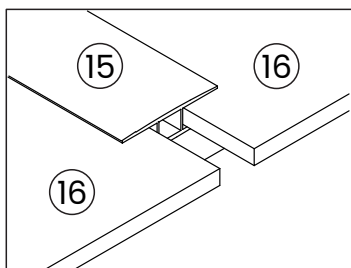
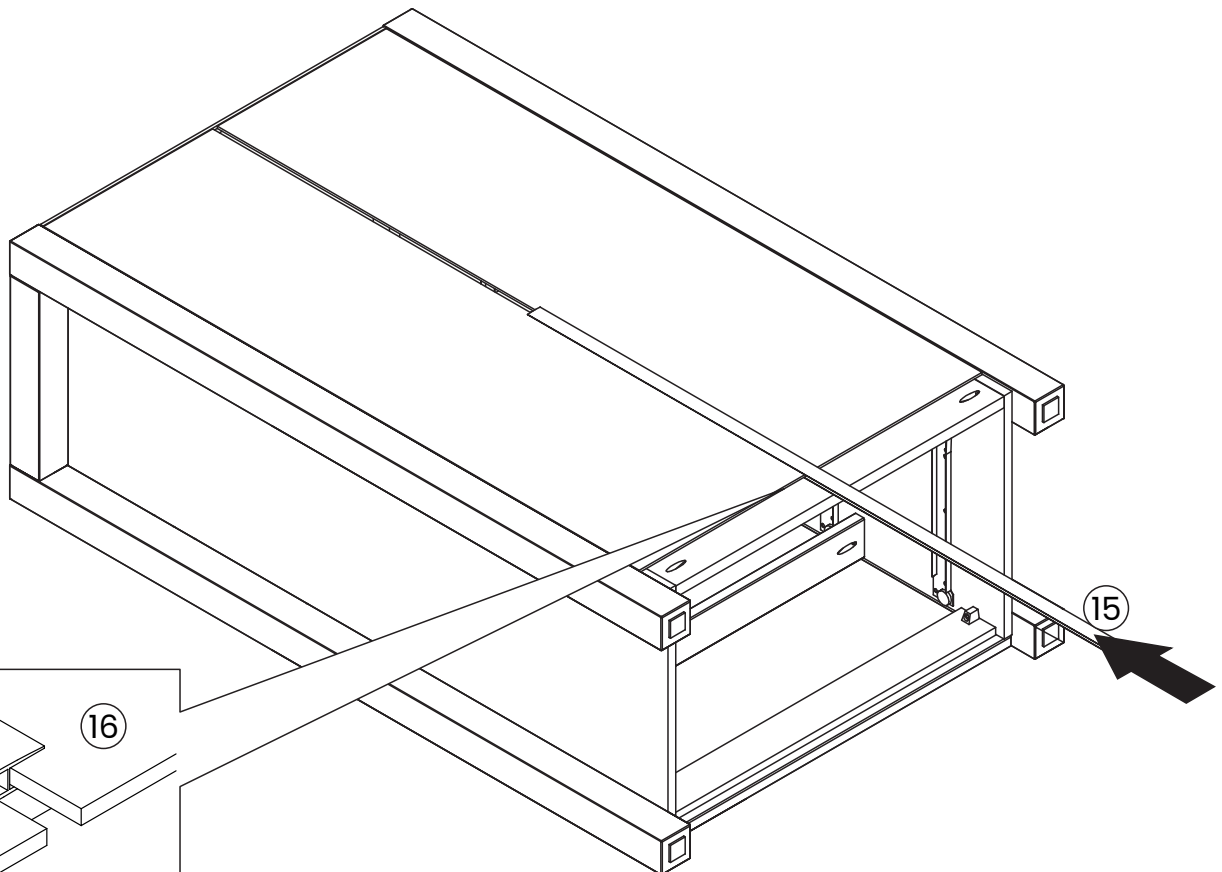


G1		4
	10x10	

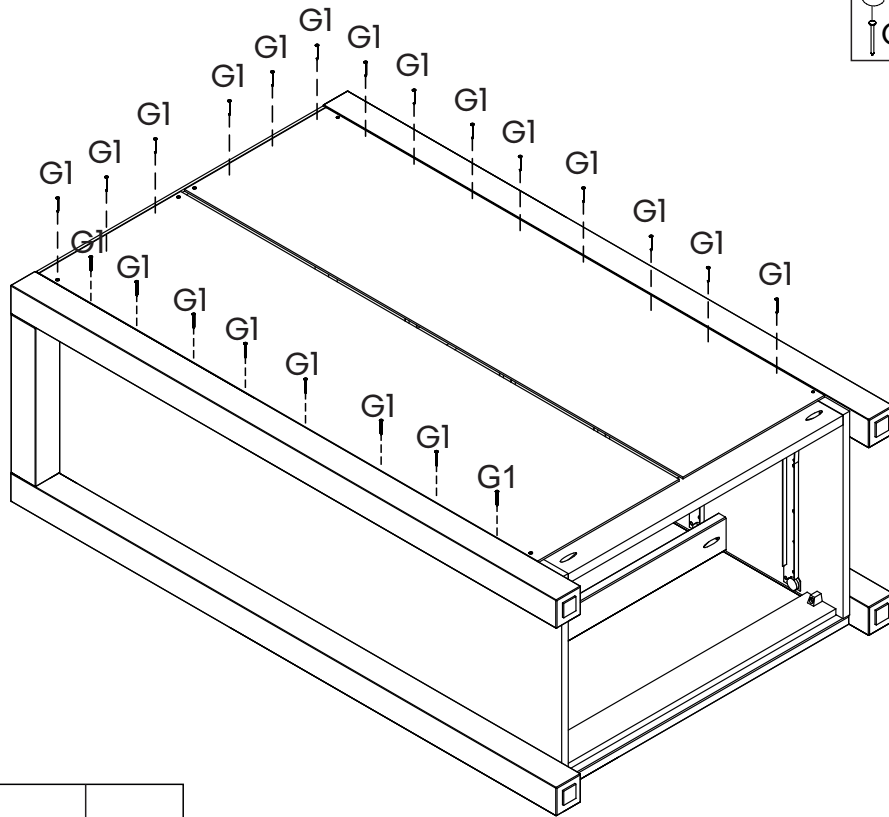
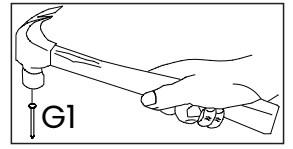
10) Make sure back panels are perfectly aligned with side panels and top and there are NO gaps.



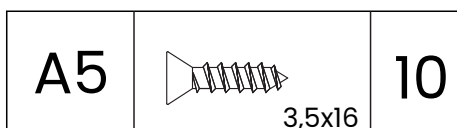
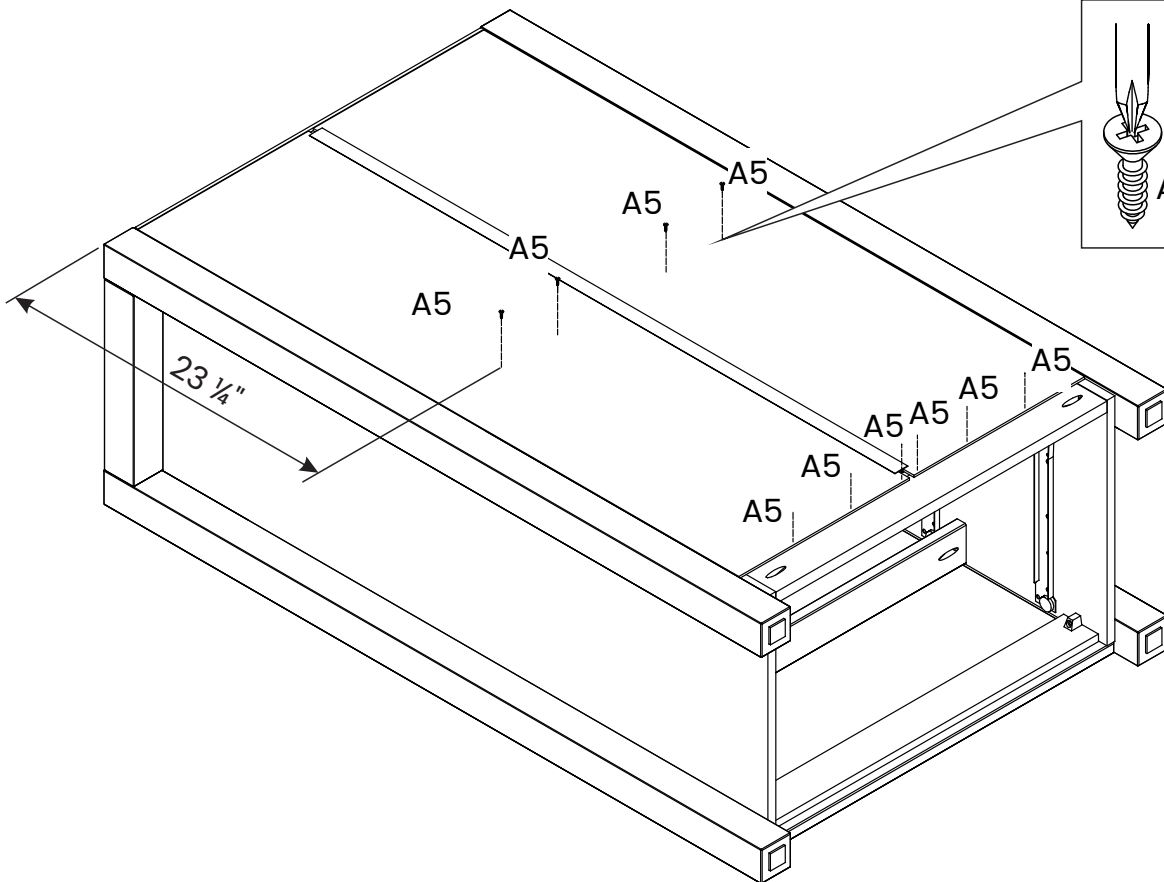
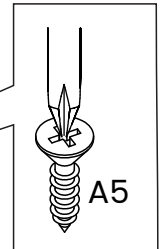
11)



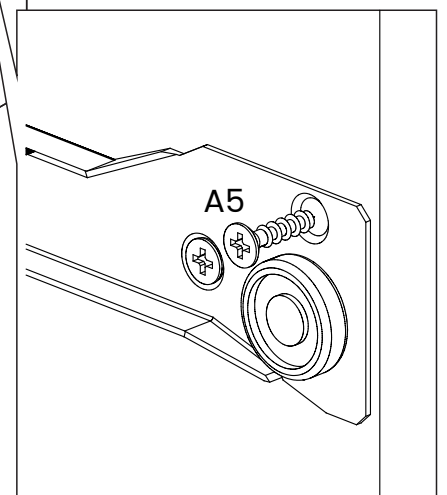
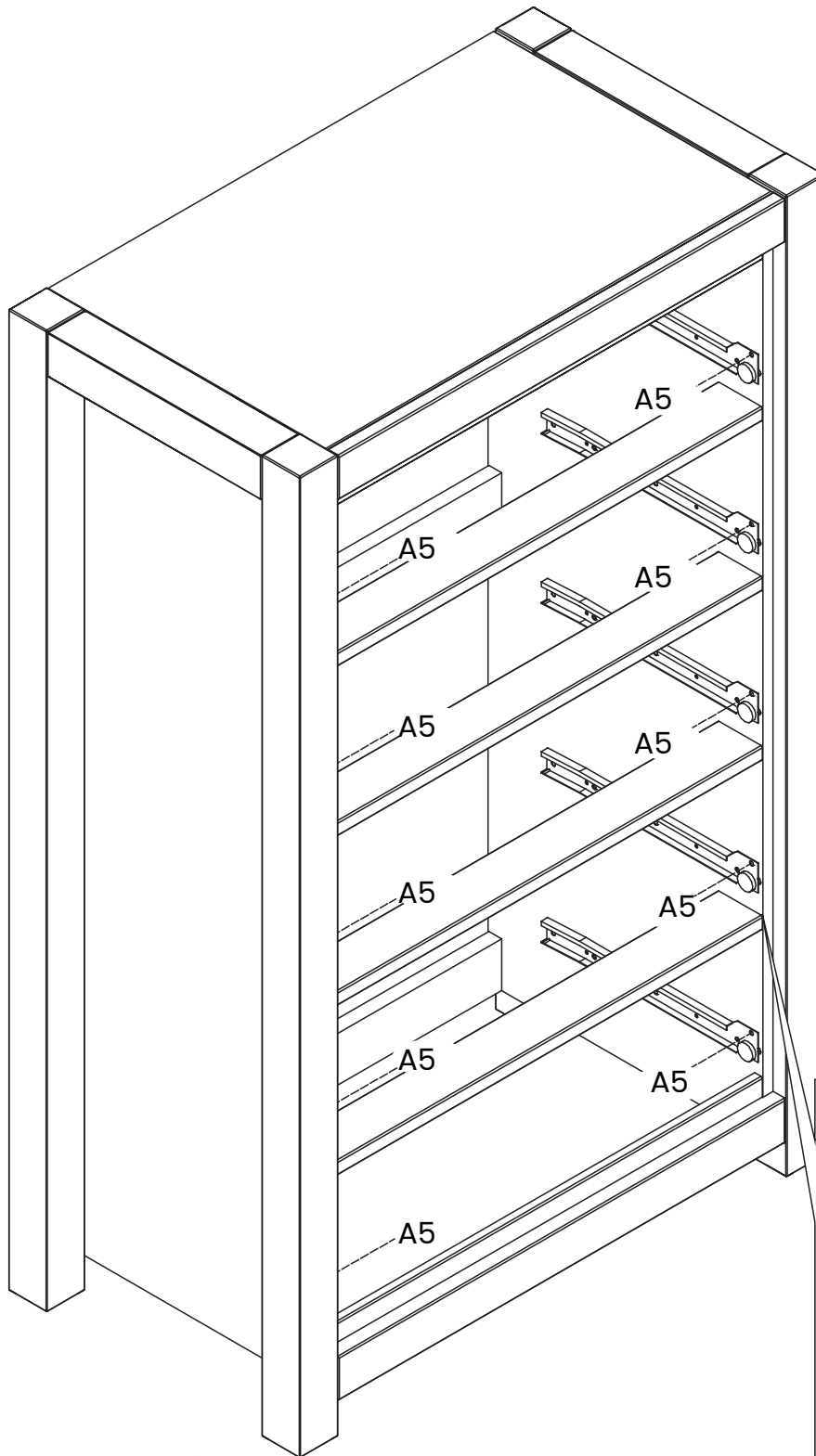
12)

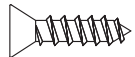


13)



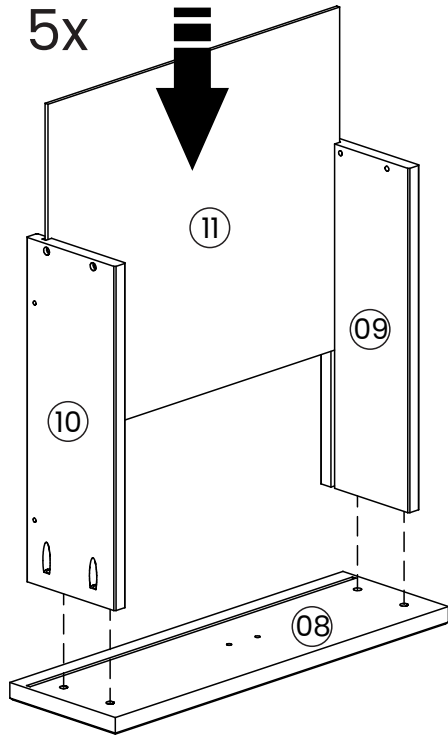
14)



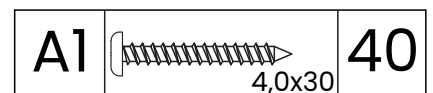
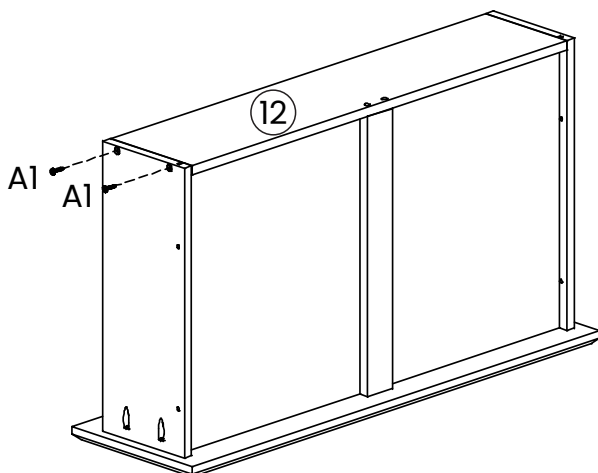
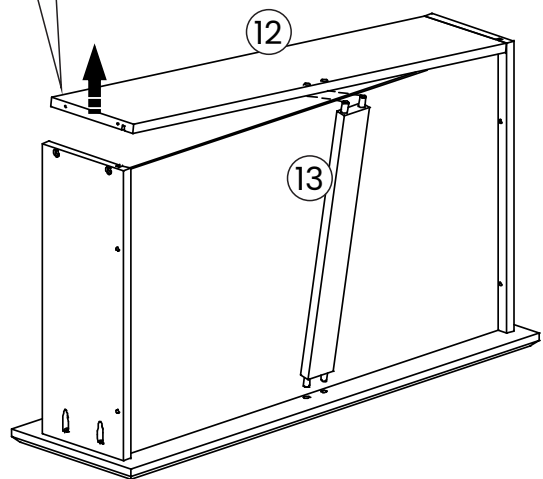
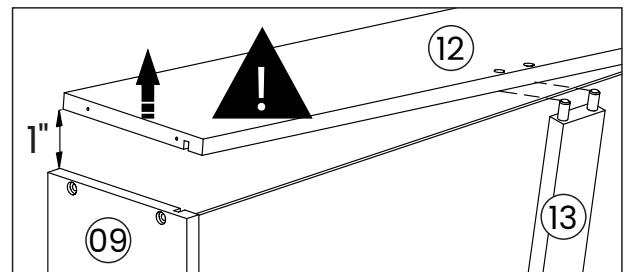
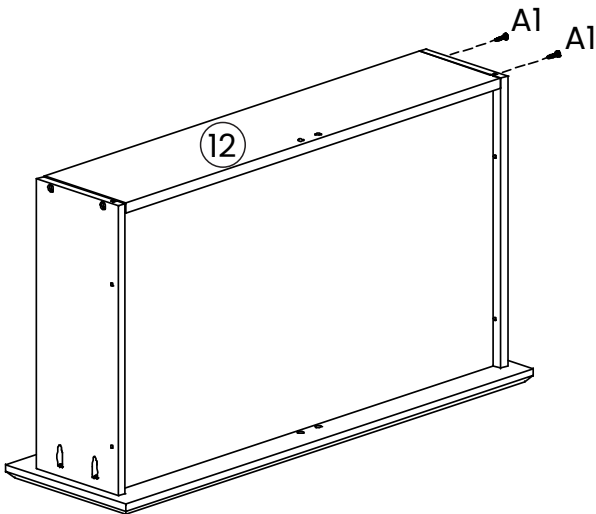
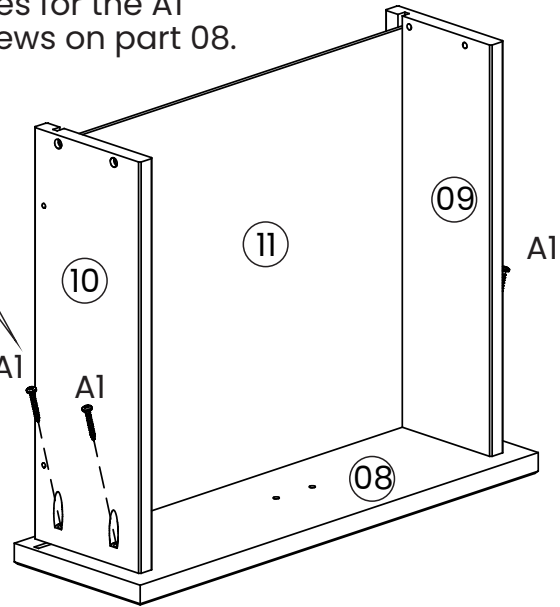
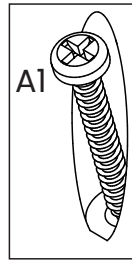
A5	 3,5x16	10
----	---	----

15)

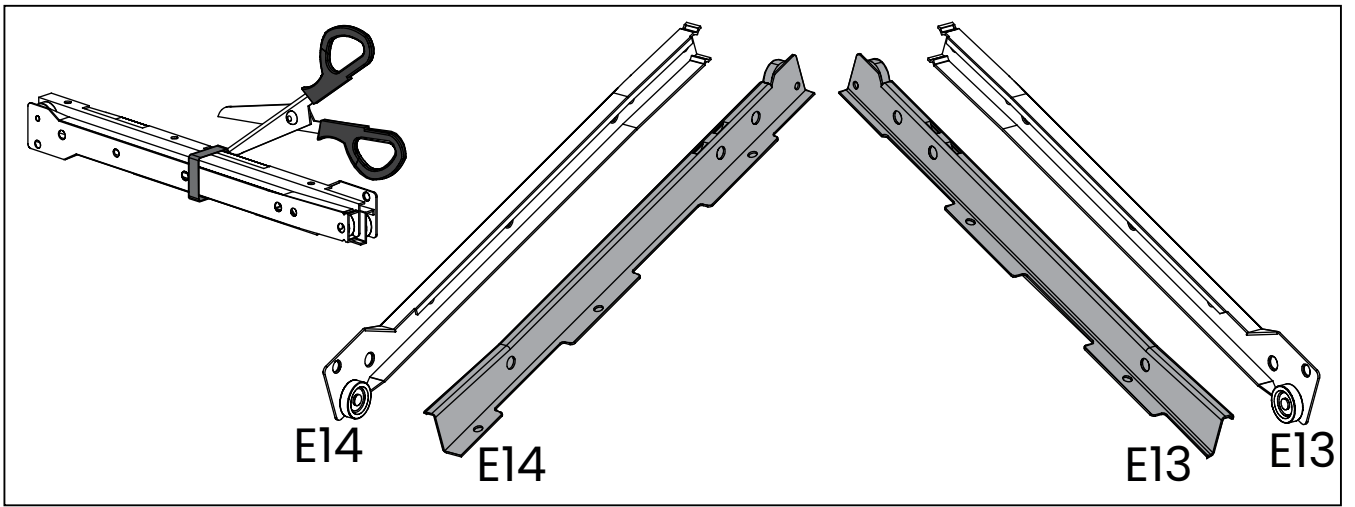
5x



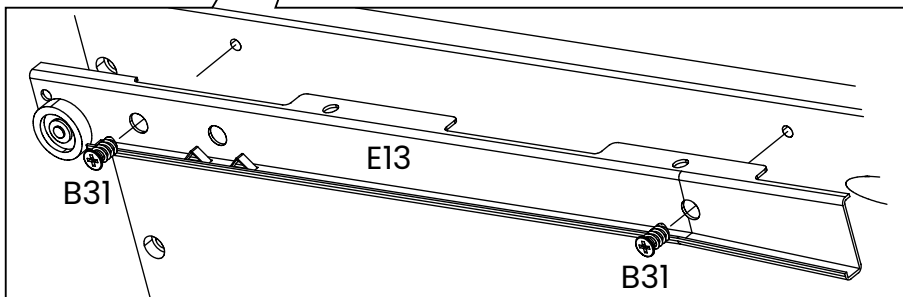
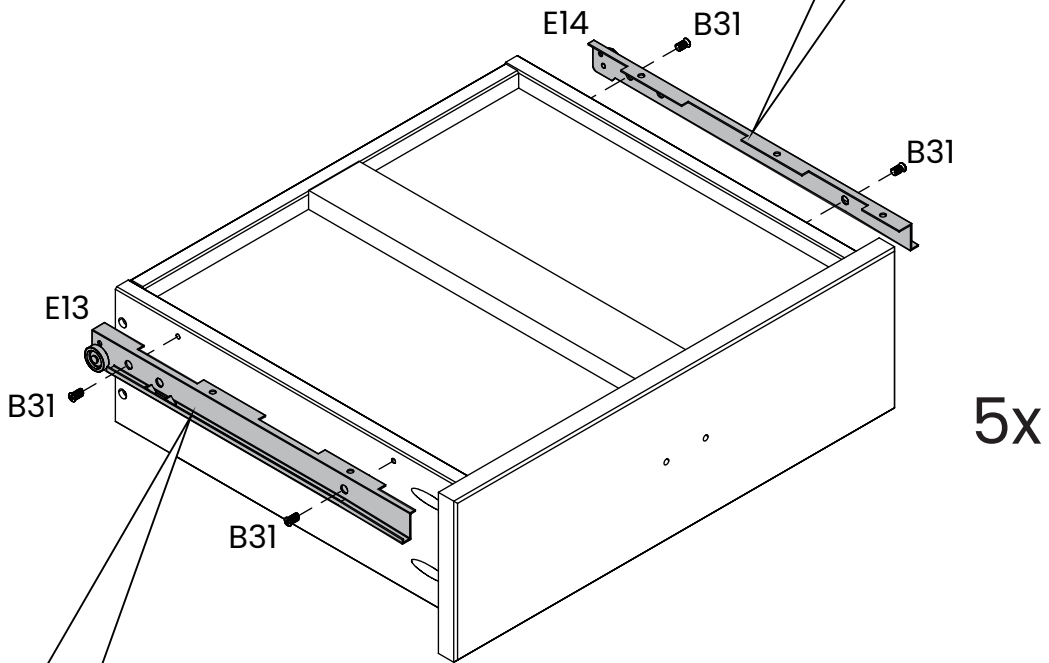
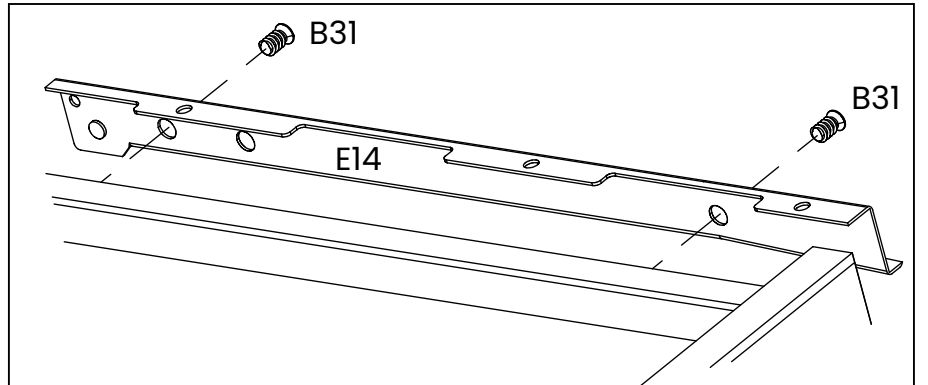
Attention: There are no predrilled holes for the A1 screws on part 08.



16)



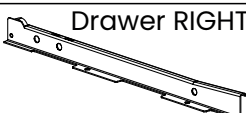
Flip the assembled drawer upside down to install glides.

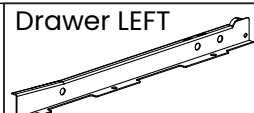


Need help?  
Scan the QR code.

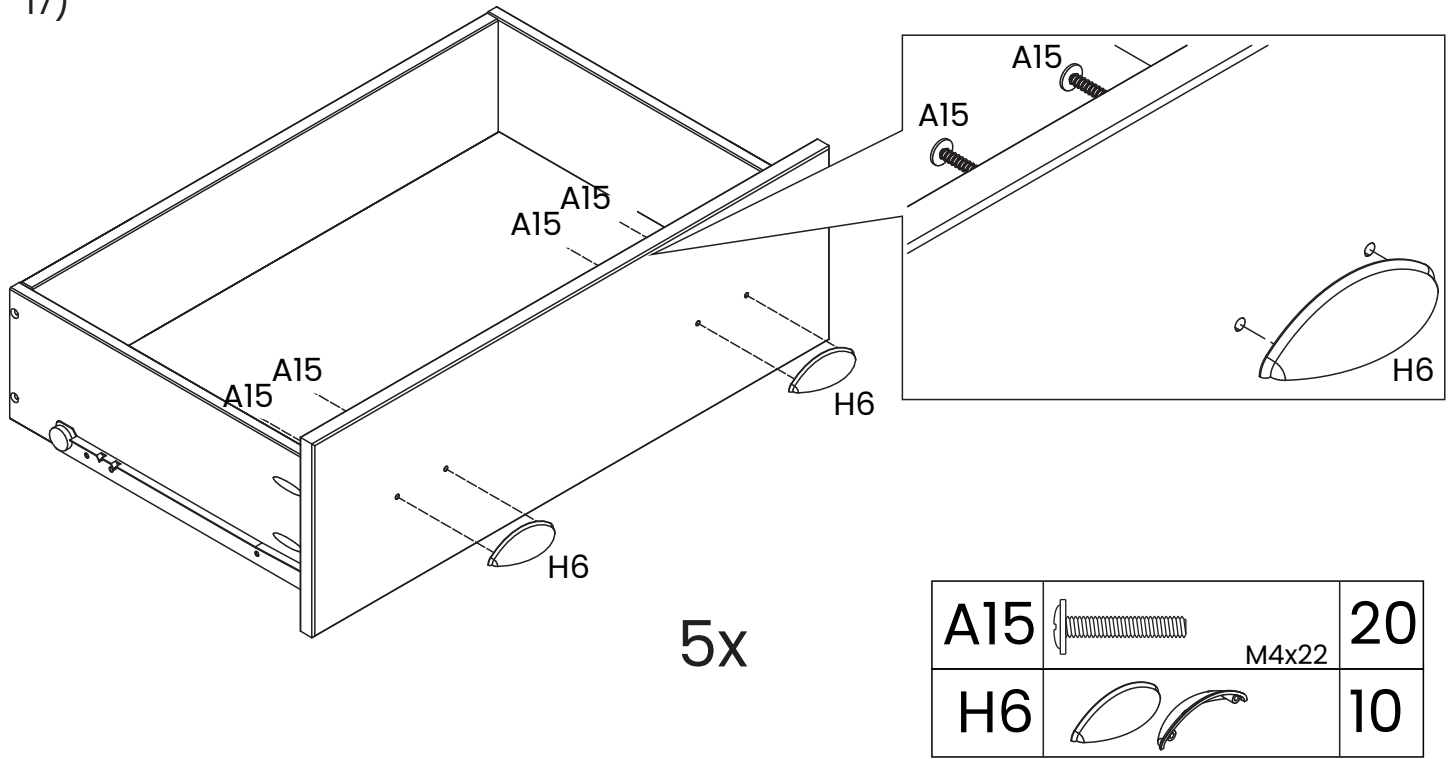


B31		6,0x10	20
-----	---	--------	----

E13		Drawer RIGHT	5
-----	---	--------------	---

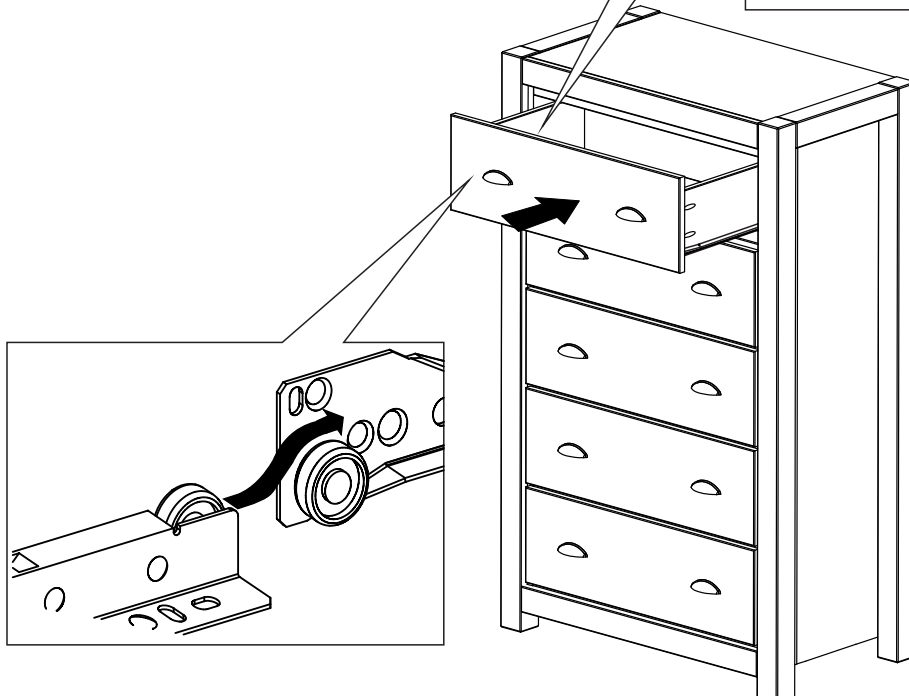
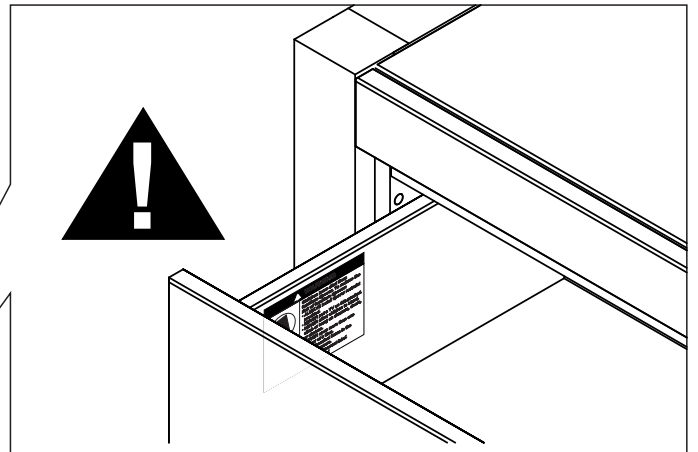
E14		Drawer LEFT	5
-----	---	-------------	---

17)



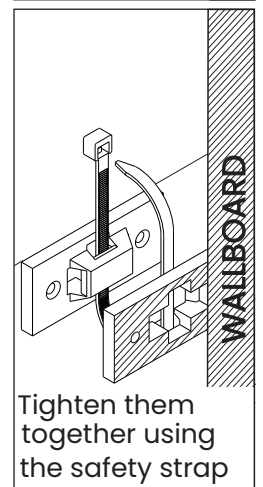
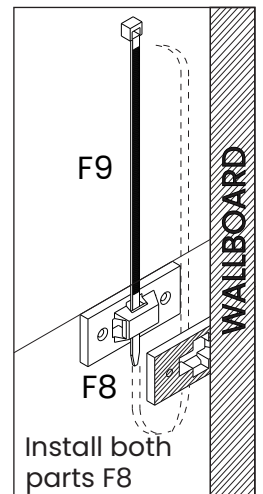
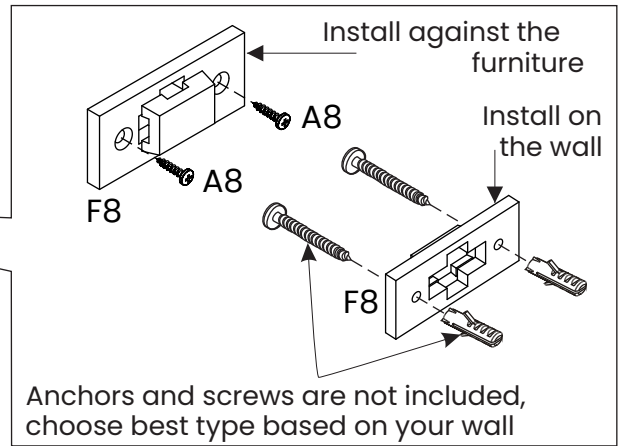
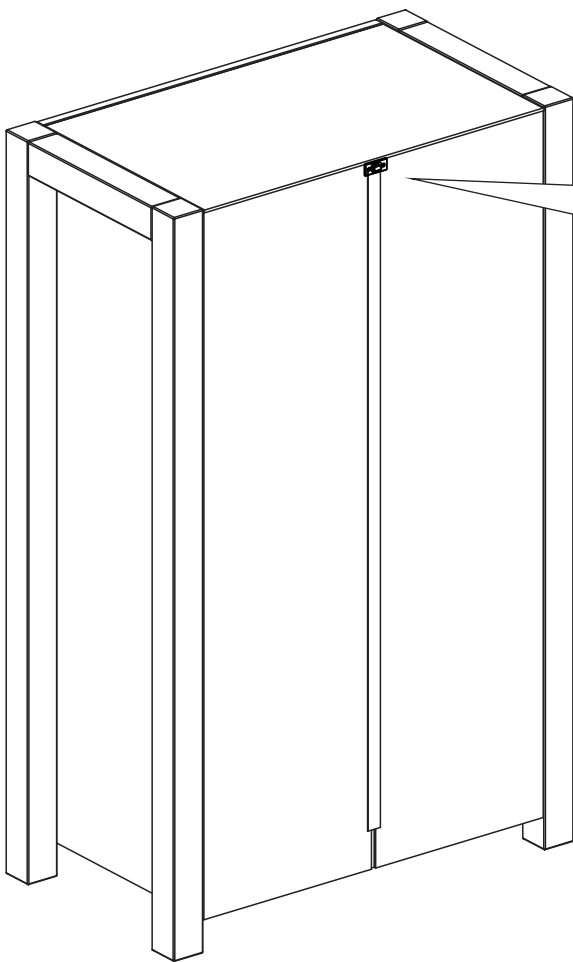
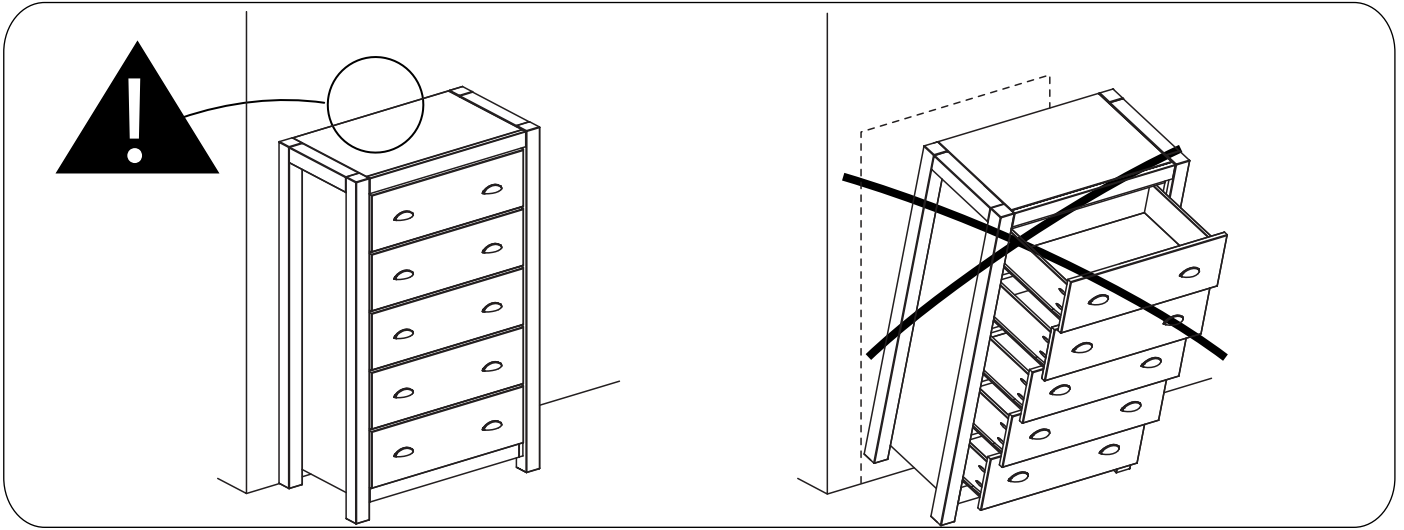
18)


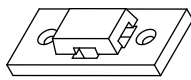

Place the labeled drawer on the top position





# 19) FURNITURE ANTI-TIPPING RESTRAINT KIT



A8	 3x20	02
F8		02
F9	 15x30	01