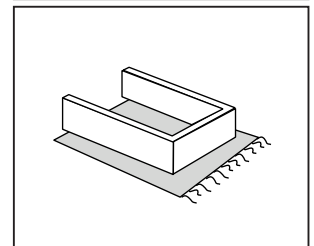
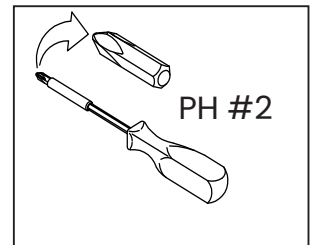
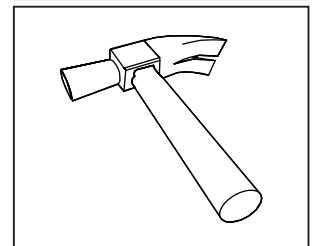
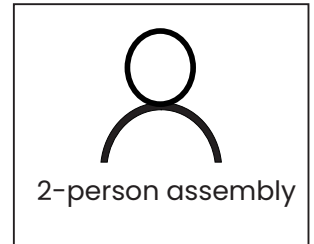
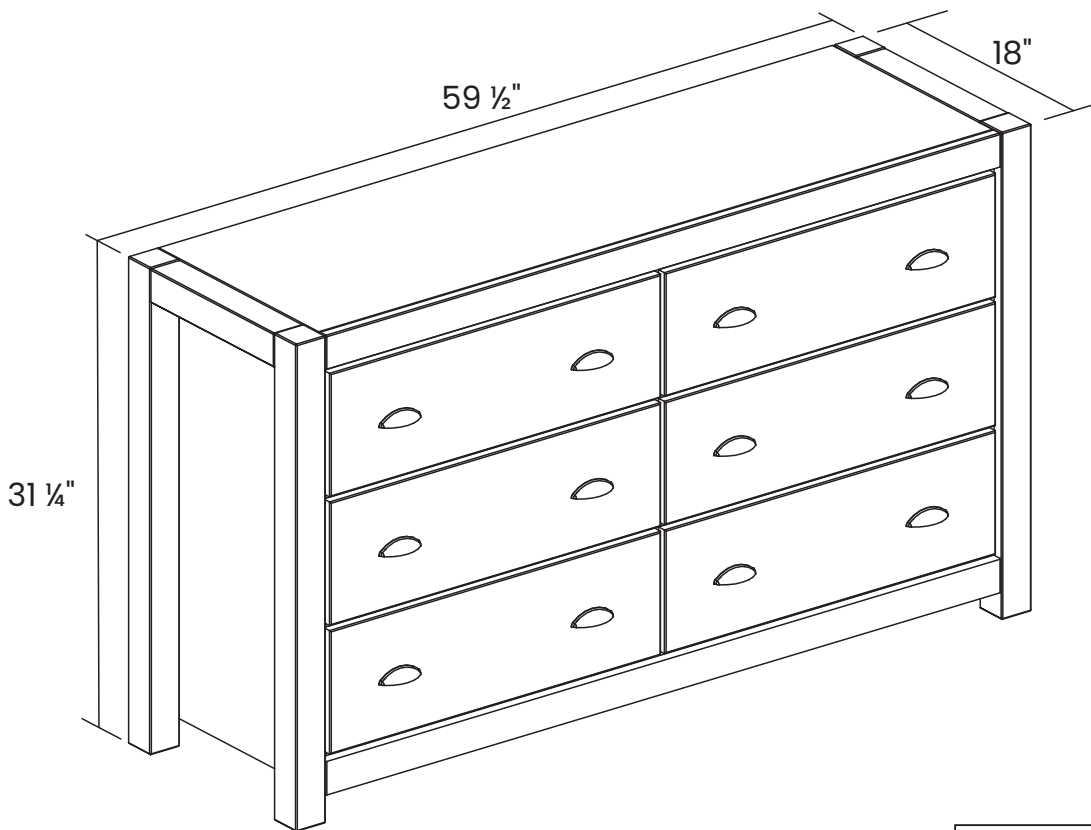


Assembly Instructions



| Model # | Finish |
|---------|------------------|
| RMT0511 | Rustic Walnut |
| RMT0512 | Rustic Off-White |
| RMT0520 | Rustic Grey |
| RMT0524 | Driftwood |

Thank you for choosing Grain Wood Furniture, it is an honor to be in your home!
 If you have any questions, feedback, or need replacement parts please contact us at:
grainwoodfurniture.com/help or support@grainwoodfurniture.com

Montauk Collection
6-Drawer Dresser

GrainWood
 FURNITURE.COM

PLEASE READ BELOW BEFORE BEGINNING ASSEMBLY



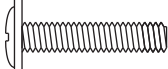
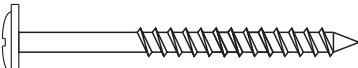


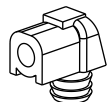

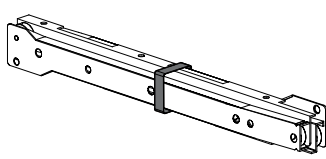

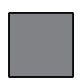
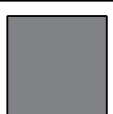

- Enlist help from a friend or family member as most items require two people for proper assembly.
- Choose a spacious, open area near where the piece will be located once assembled. It is easier to move parts than to relocate the furniture after it is fully assembled.
- Do not throw away packaging material until assembly is complete.
- Assemble the item on a soft surface, such as cardboard or an old blanket in order to protect the finish from possible dents or scratches.
- Lay out the parts in order and count them twice. In case any parts are missing or damaged, document the problem with pictures and contact support so we can make it right.
- Solid wood furniture may present imperfections such as wood knots, minor splits or cracks which are a natural aspect of the material. Whenever stability of the furniture is not compromised, we recommend customers perform cosmetic touch-ups with wax crayon fillers sold at all major hardware stores.
- It is best to use the tools provided in the box, such as a hex key, because they may be specially sized for the piece of furniture.
- We do not recommend the use of power drills as they can damage your furniture if not used correctly.
- Use a carpenter's square or hardcover book to check angles when assembling drawers and doors. If they are not at 90 degrees, they will not close properly.
- If you have any problems, we are here to help. Just go to grainwoodfurniture.com/help.
- See grainwoodfurniture.com/care-guide for suggestions that will help your furniture last for years.


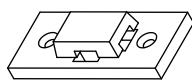



grainwoodfurniture.com/assembly-troubleshooting

Enjoy your 100% solid wood furniture!

HARDWARE LIST

| | | |
|-----|--|--------|
| A1 |  4,0x30 | 69 + 2 |
| A5 |  3,5x16 | 23 + 1 |
| A15 |  M4x22 | 24 + 2 |
| A40 |  4,0x45 | 12 |
| B31 |  6,0x10 | 48 + 2 |
| C1 |  8,0x30 | 83 + 2 |
| D21 |  | 6 |
| D34 |  | 2 |
| E13 |  | 6 |
| E14 | | 6 |
| G1 |  10x10 | 26 |
| G16 |  20x20 | 2 |
| G17 |  50x50 | 4 |
| H6 |  Pz04 | 12 |

| FURNITURE ANTI-TIPPING RESTRAINT KIT | | |
|--------------------------------------|--|-------|
| A8 |  3,0x20 | 2 + 1 |
| F8 |  | 2 |
| F9 |  15x30 | 1 |

ATTENTION

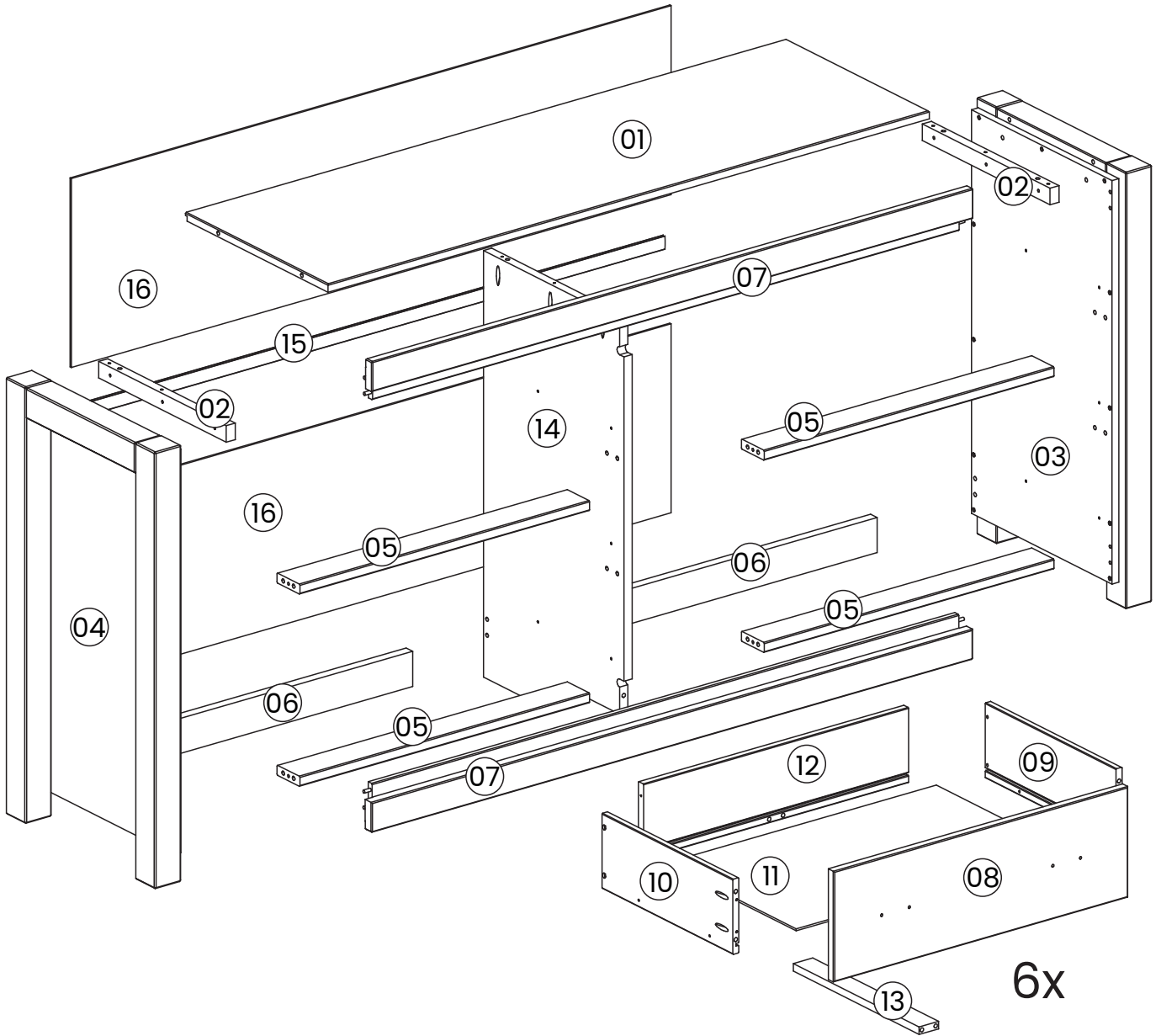
Before starting assembly please verify the hardware set is complete.

For missing hardware please contact us at grainwoodfurniture.com/help

WARNING:

CHOKING HAZARD

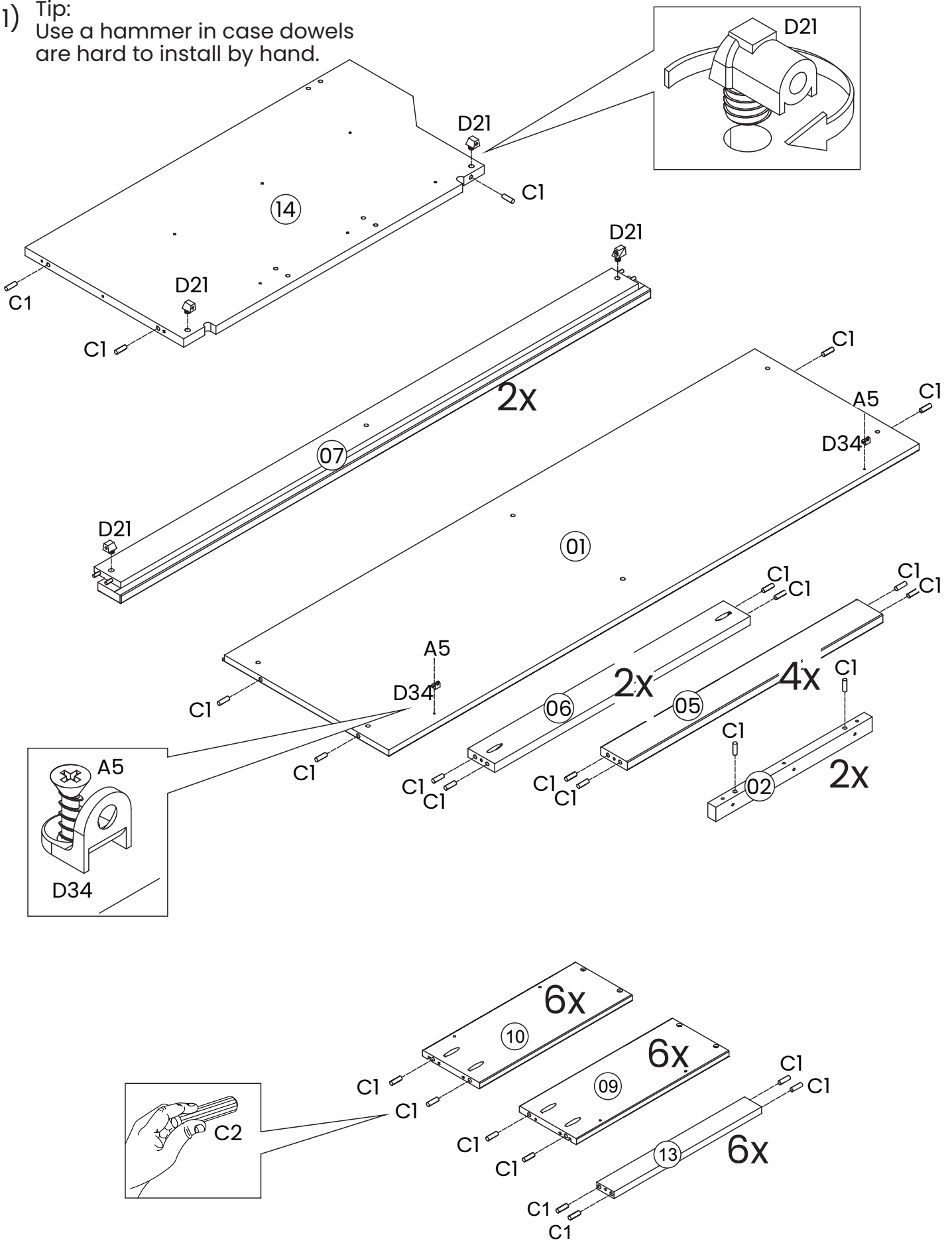
Small parts, not for children.
To be assembled by an adult.







| BOX 1 | | |
|--------|-------------------------|------|
| Part # | Description | Qty. |
| 01 | Top | 1 |
| 05 | Middle crosspiece | 4 |
| 06 | Rear crosspiece | 2 |
| 07 | Upper/ lower crosspiece | 2 |
| 08 | Drawer front | 6 |
| 11 | Drawer bottom | 6 |
| 15 | Profile "H" | 1 |
| 16 | Back panel | 2 |

| BOX 2 | | |
|--------|-----------------------|------|
| Part # | Description | Qty. |
| 02 | Cleat | 2 |
| 03 | Right side | 1 |
| 04 | Left side | 1 |
| 09 | Drawer right side | 6 |
| 10 | Drawer left side | 6 |
| 12 | Drawer back | 6 |
| 13 | Drawer bottom support | 6 |
| 14 | Division | 1 |
| HW | Hardware | 1 |

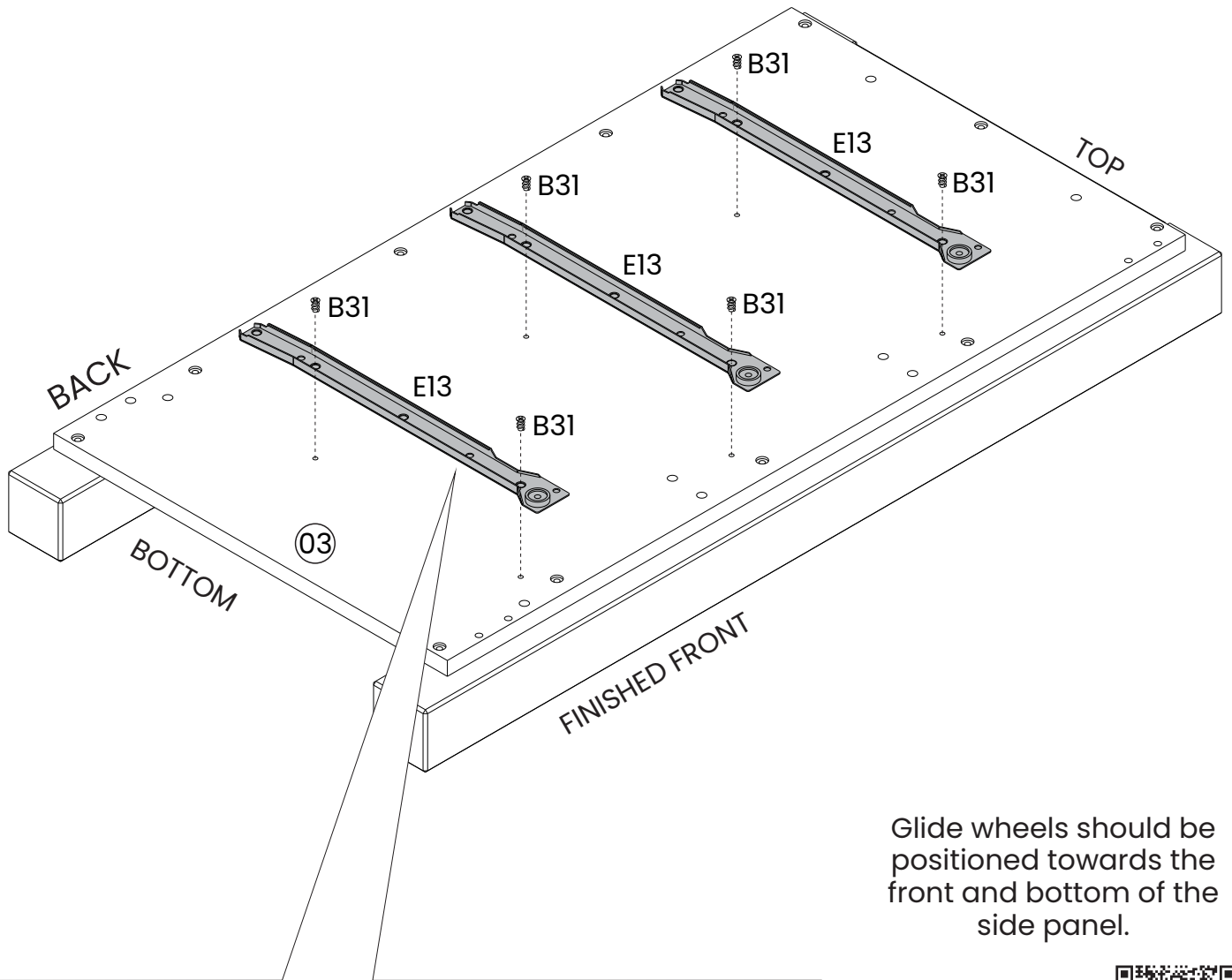
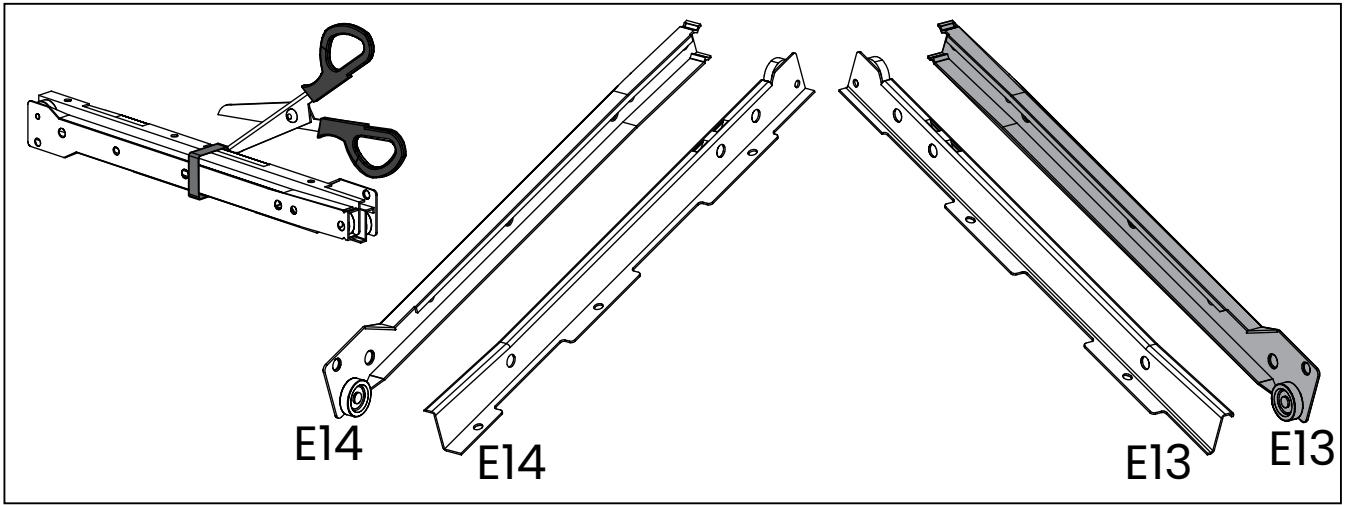
1) Tip:
Use a hammer in case dowels
are hard to install by hand.



| | | |
|----|---|----|
| A5 |  | 2 |
| | 3,5x16 | |
| C1 |  | 83 |
| | 8,0x30 | |

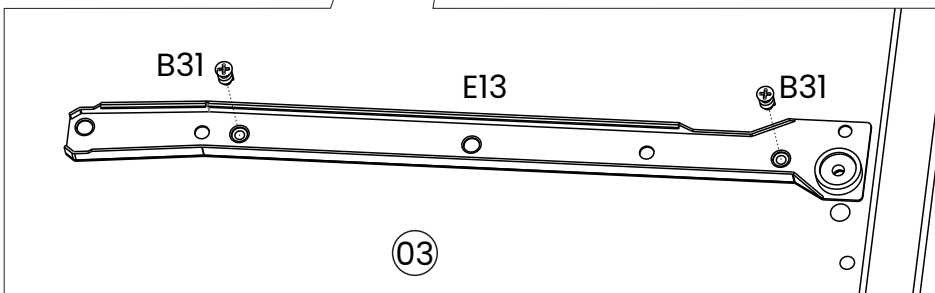
| | | |
|-----|---|---|
| D21 |  | 6 |
| D34 |  | 2 |



2)



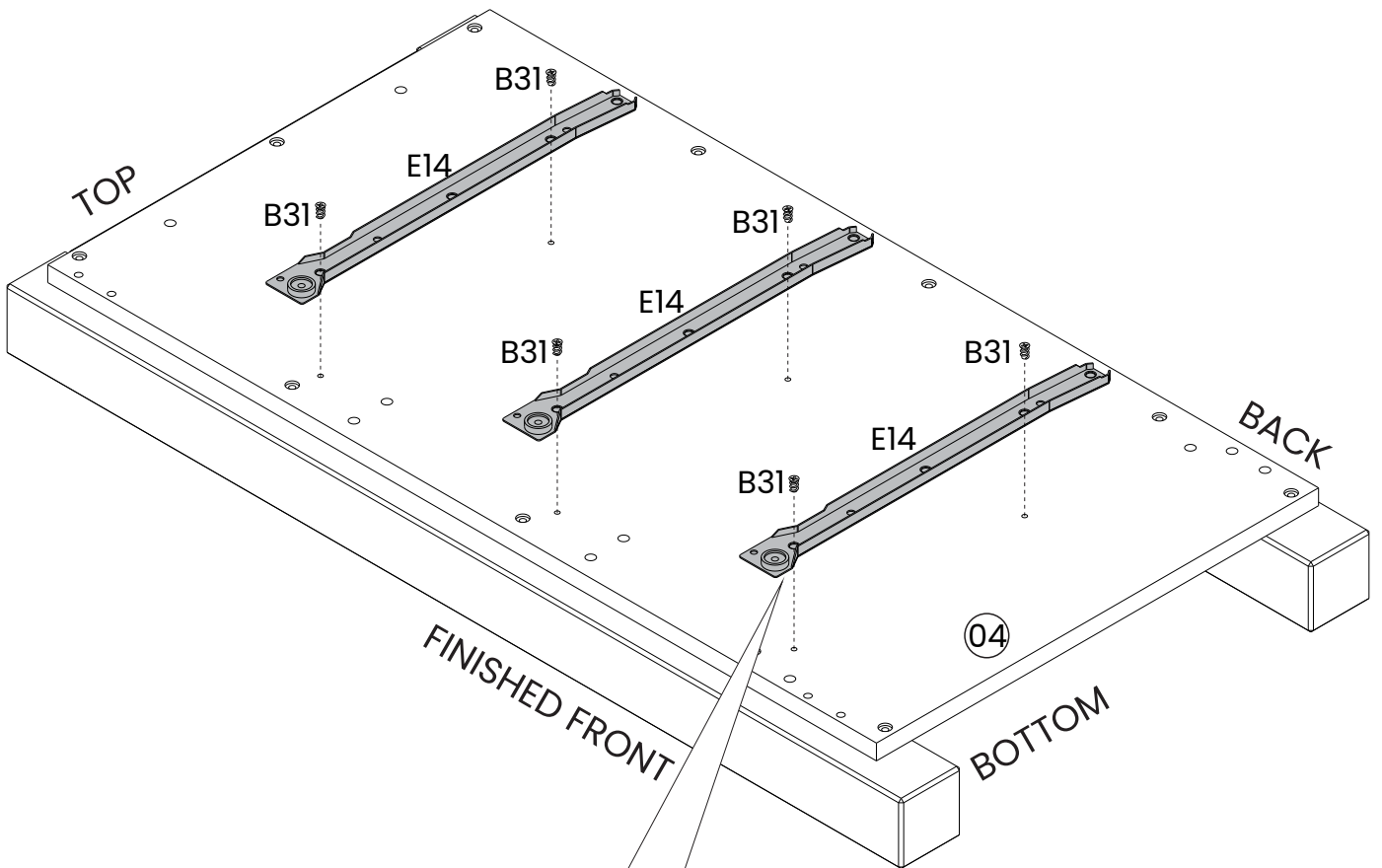
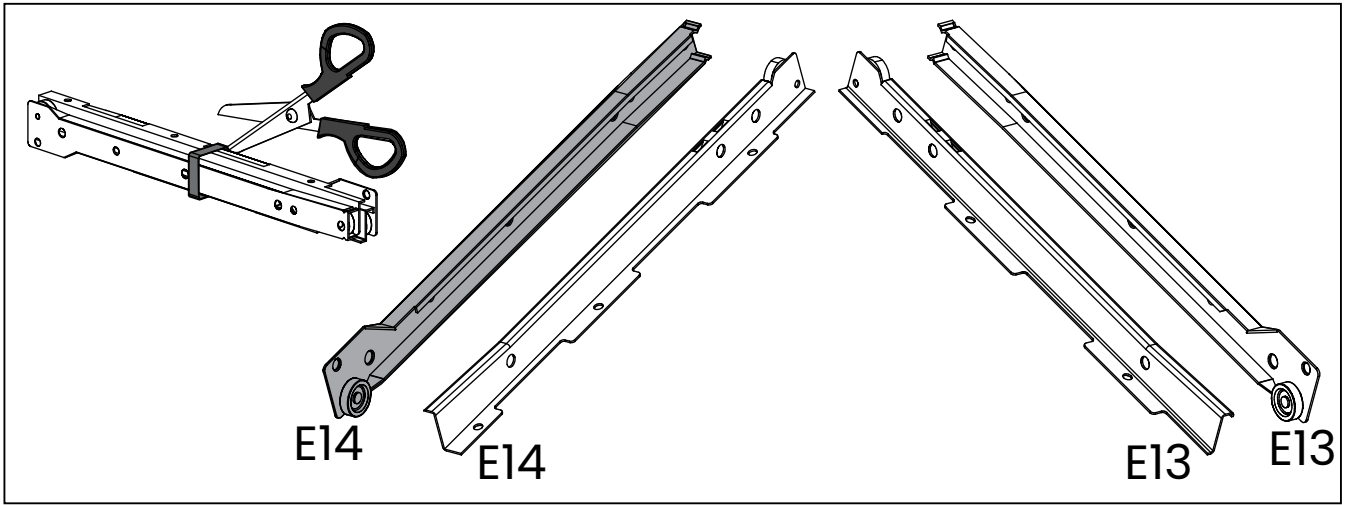
Glide wheels should be positioned towards the front and bottom of the side panel.

Need help?
Scan the QR code.



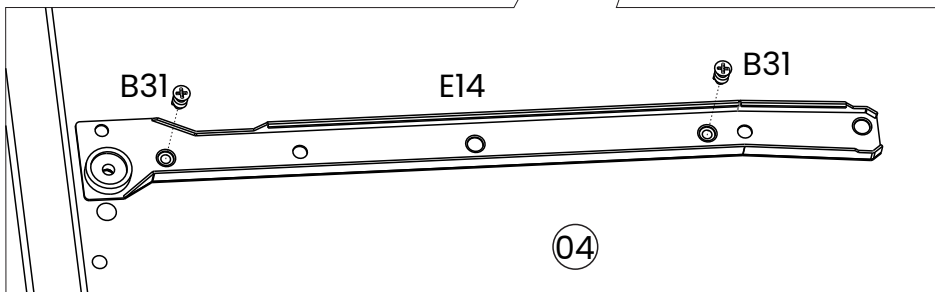
| | | |
|-----|--|---|
| B31 |  6,0x10 | 6 |
| E13 |  RIGHT Side | 3 |


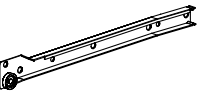
3)



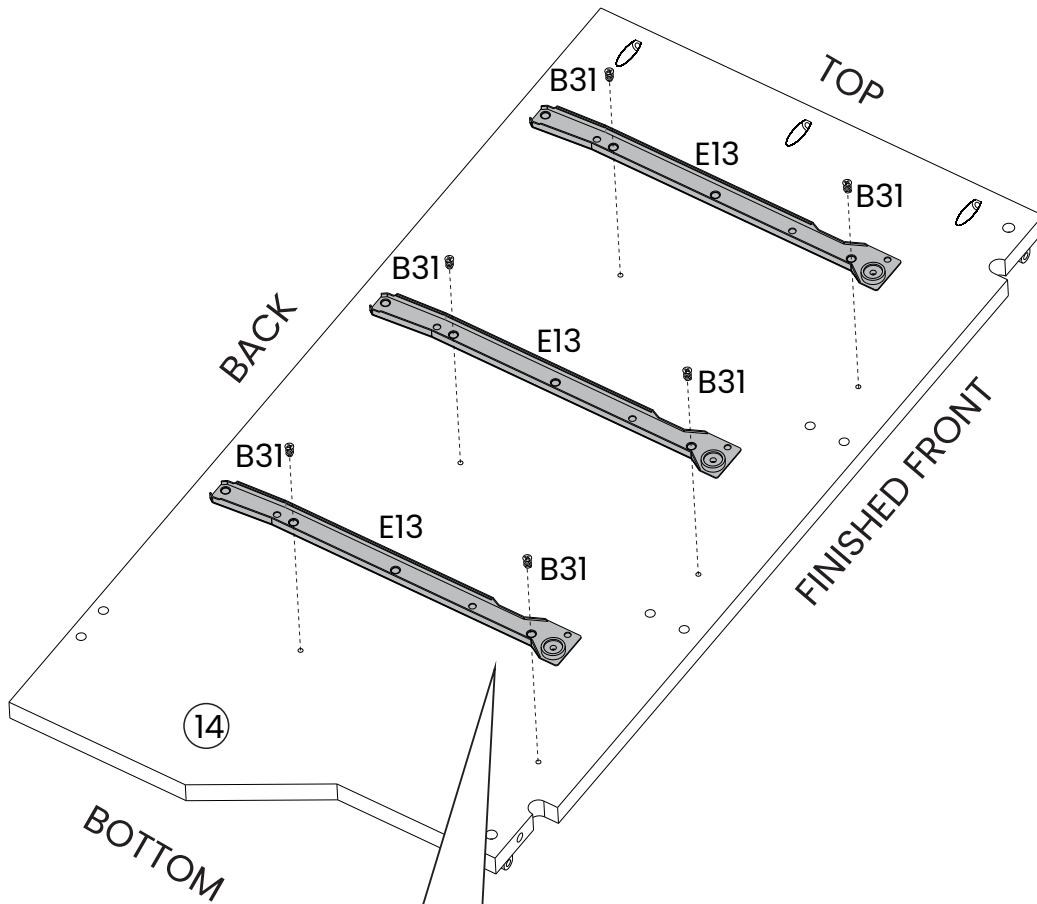
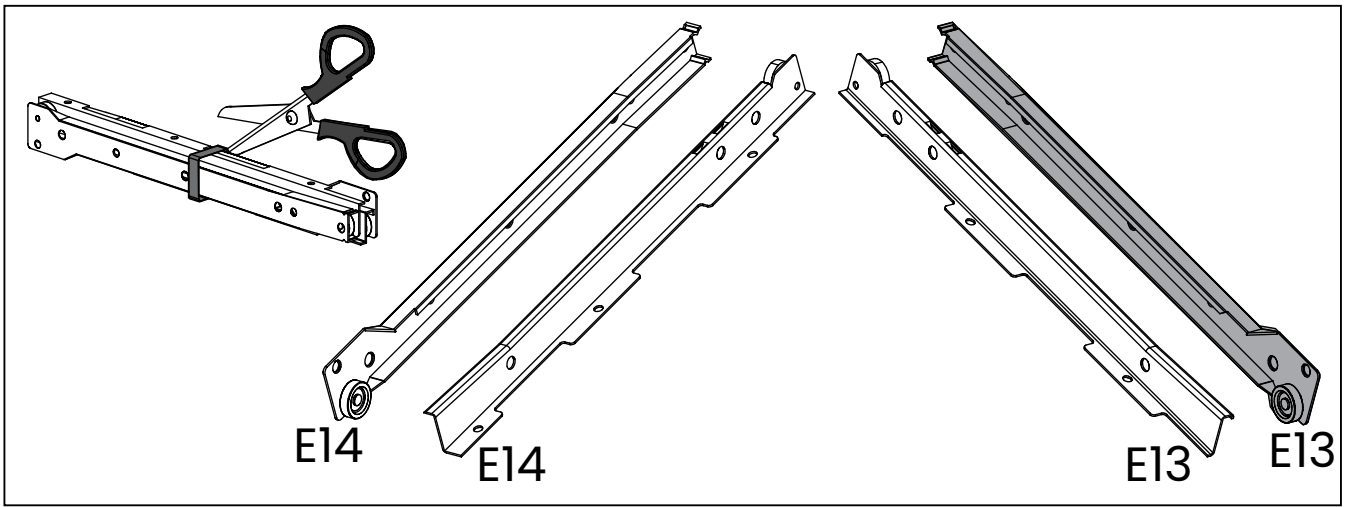
Glide wheels should be positioned towards the front and bottom of the side panel.

Need help?
Scan the QR code.



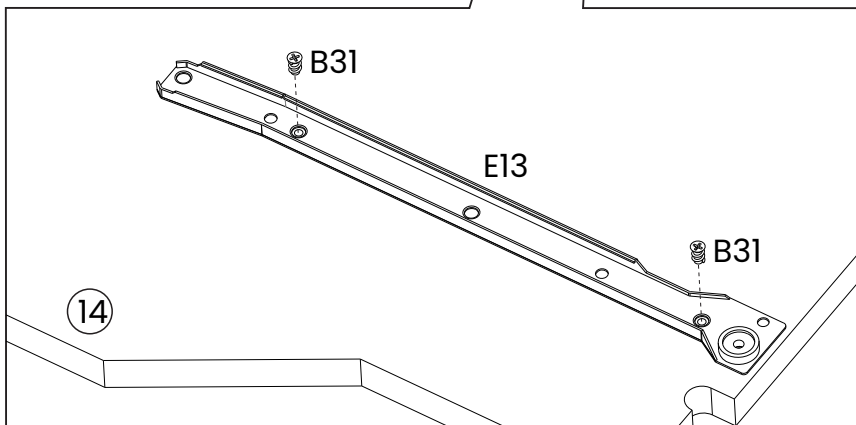
| | | |
|-----|--|---|
| B31 |  6,0x10 | 6 |
| E14 | LEFT Side  | 3 |


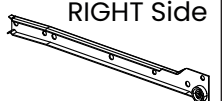
4)



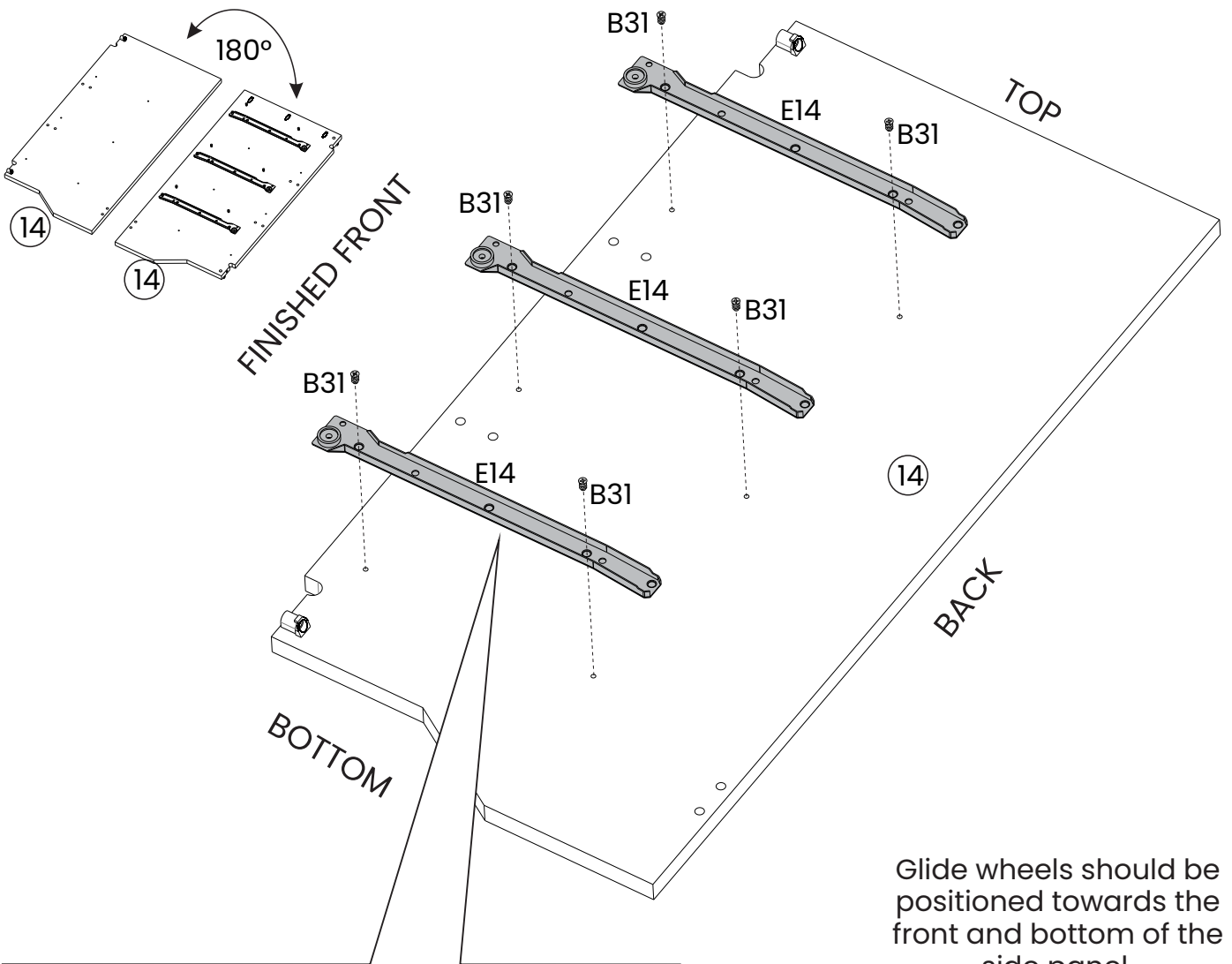
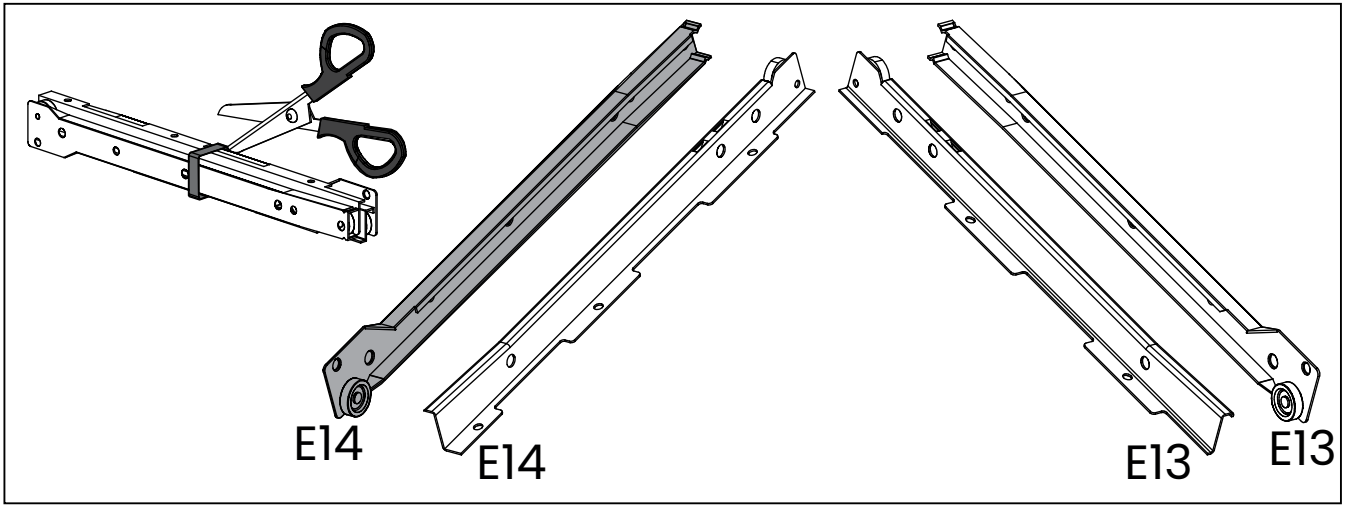
Glide wheels should be positioned towards the front and bottom of the side panel.

Need help?
Scan the QR code.



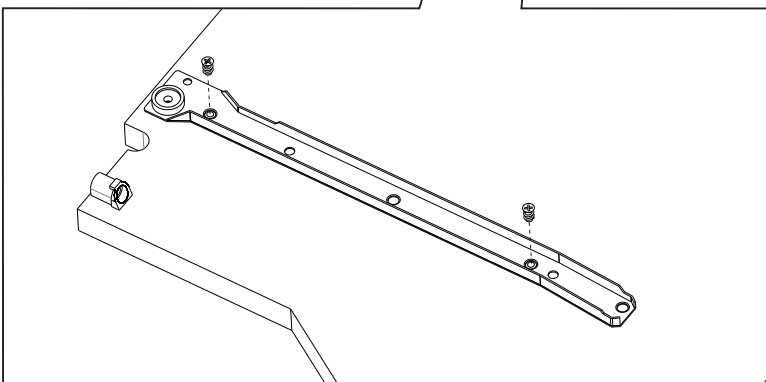
| | | |
|-----|--|---|
| B31 |  6,0x10 | 6 |
| E13 |  RIGHT Side | 3 |



5)



Glide wheels should be positioned towards the front and bottom of the side panel.

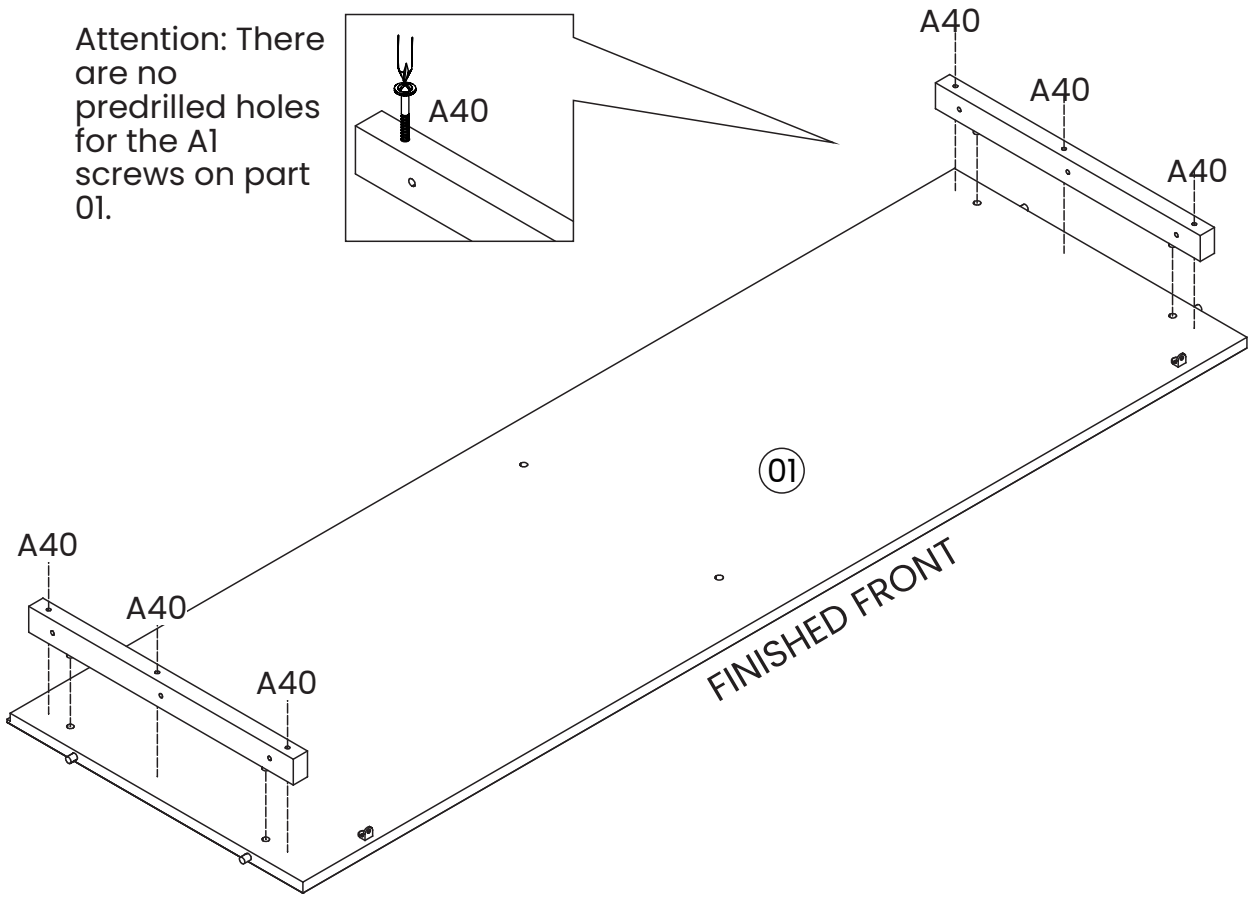
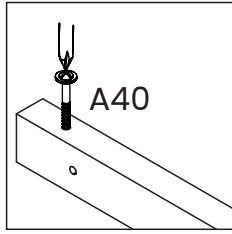
Need help?
Scan the QR code.




| | | |
|-----|---|---|
| B31 |  6,0x10 | 6 |
| E14 | LEFT Side  | 3 |

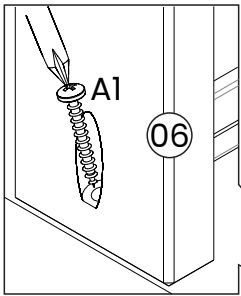
6)

Attention: There are no predrilled holes for the A1 screws on part 01.

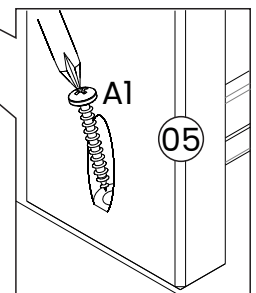
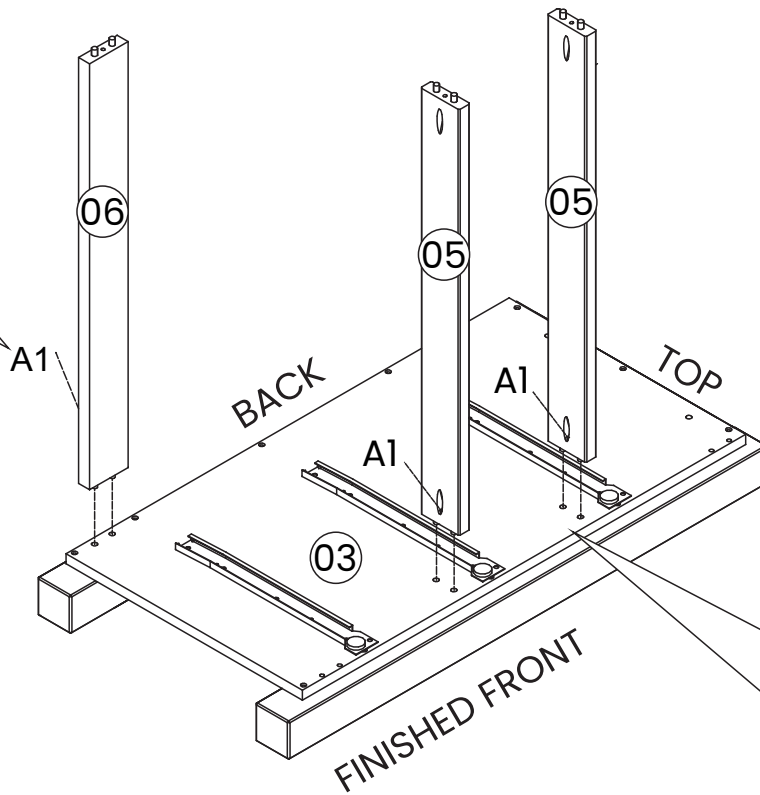



| | | |
|-----|---|---|
| A40 |  4,0x45 | 6 |
|-----|---|---|

7)

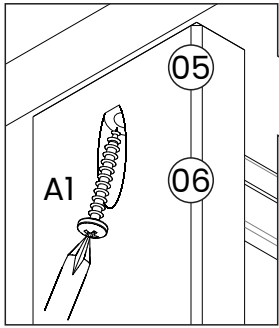


Attention: There are no predrilled holes for the A1 screws on part 03.

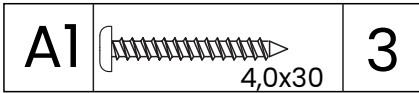
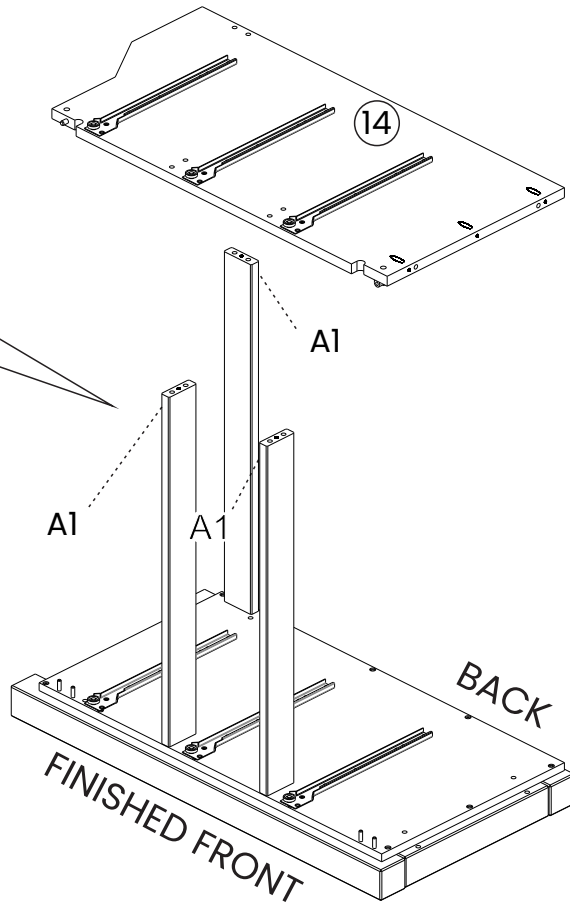


| | | |
|----|---|---|
| A1 |  4,0x30 | 3 |
|----|---|---|

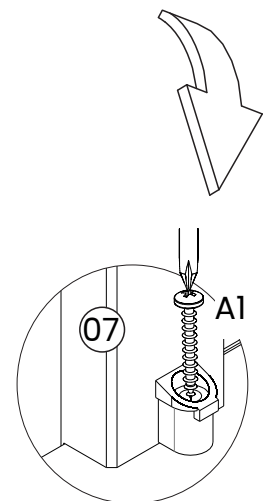
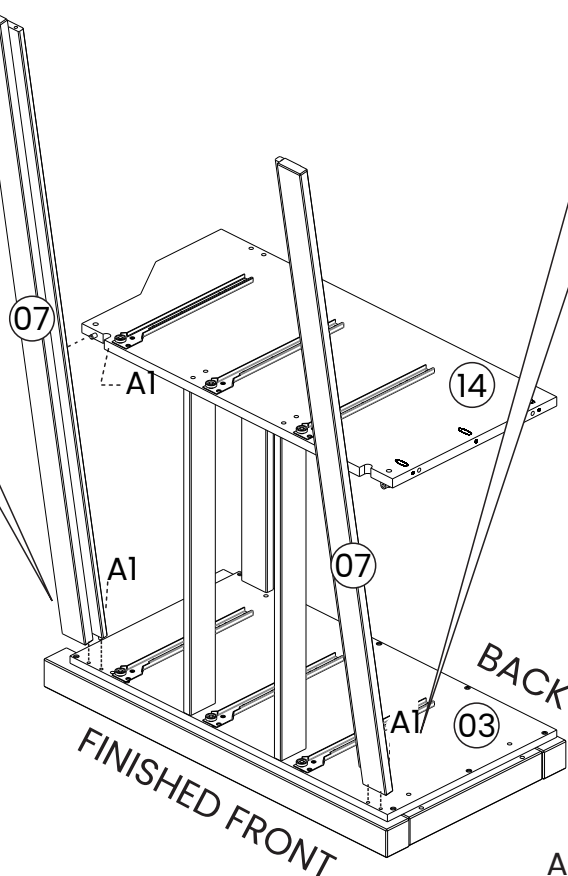
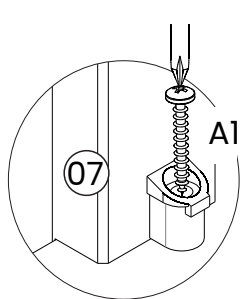
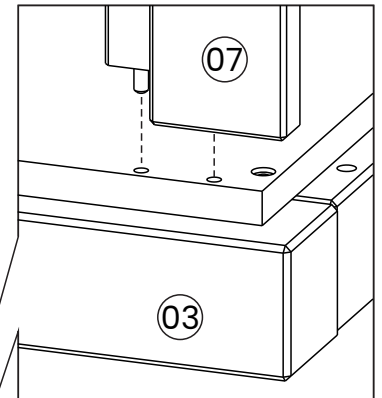
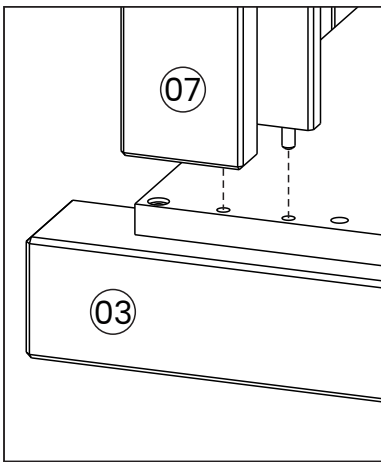
8)



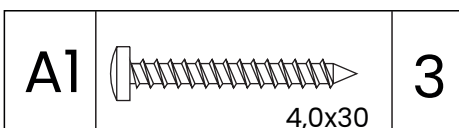
Attention: There are no predrilled holes for the A1 screws on part 14.



9)

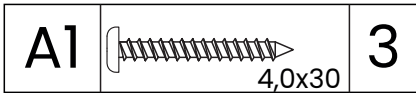
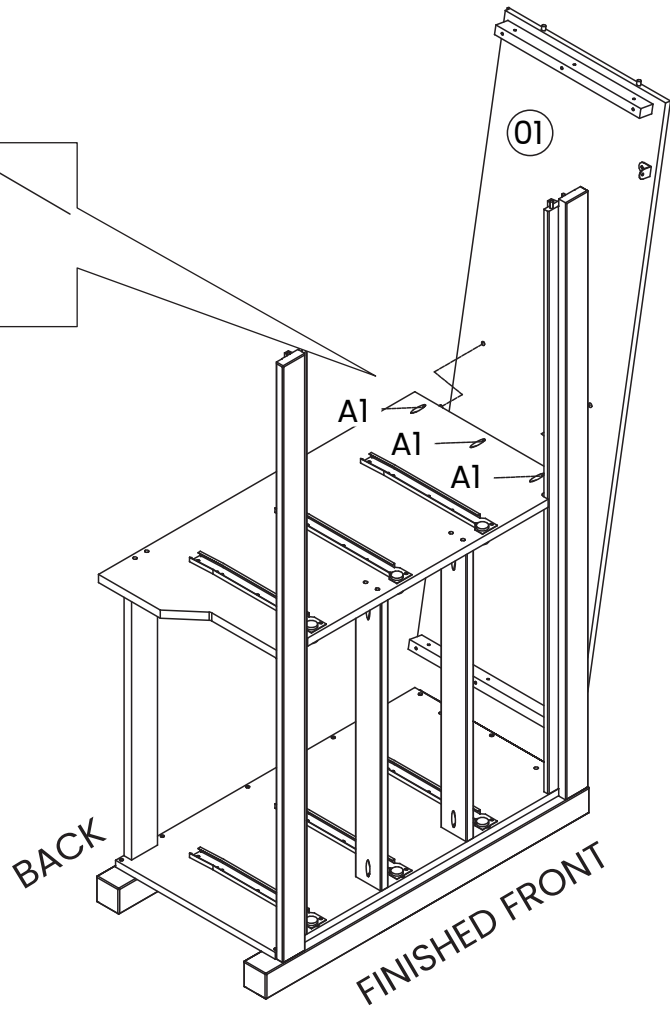
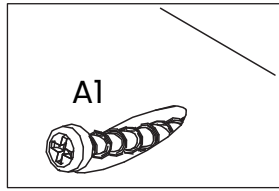


Attention: There are no predrilled holes for the A1 screws on part 03.

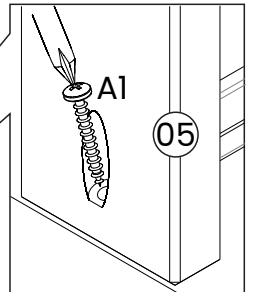
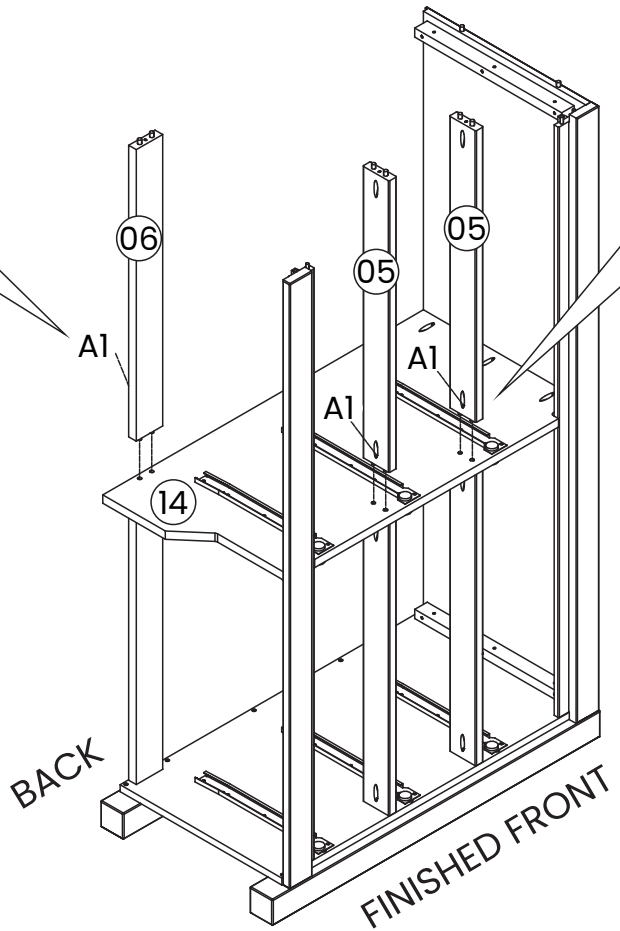
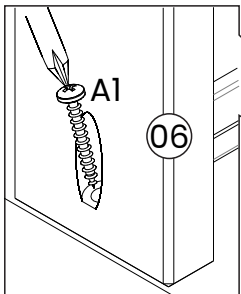


10)

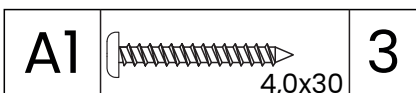
Attention: There are no predrilled holes for the A1 screws on part 01.



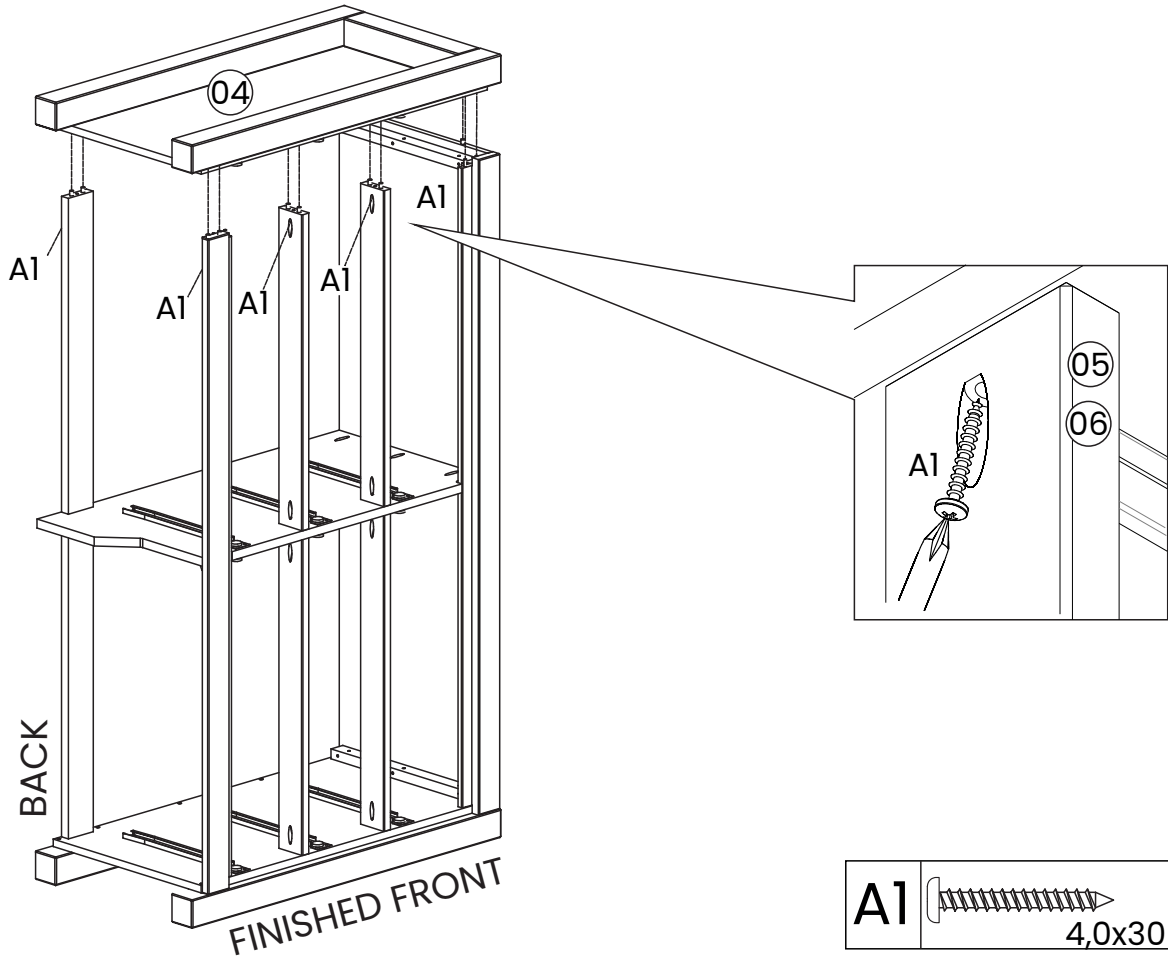
11)




Attention: There are no predrilled holes for the A1 screws on part 14.

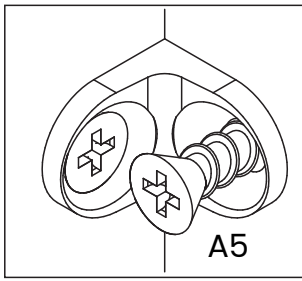


12)

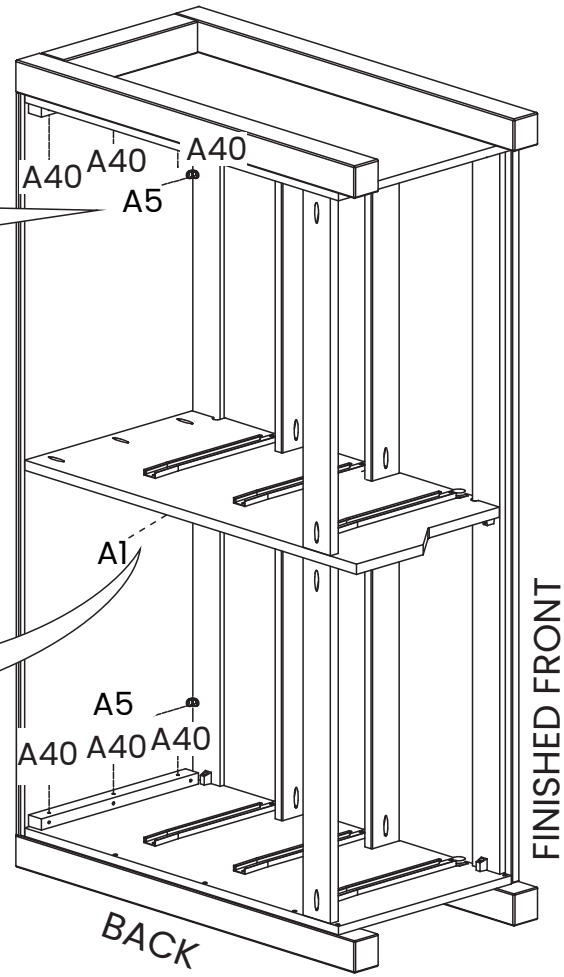
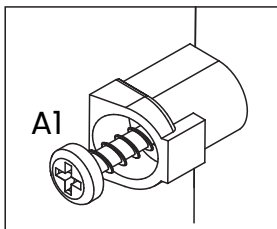





| | | | |
|-----------|--|--------|----------|
| A1 |  | 4,0x30 | 5 |
|-----------|--|--------|----------|

13)

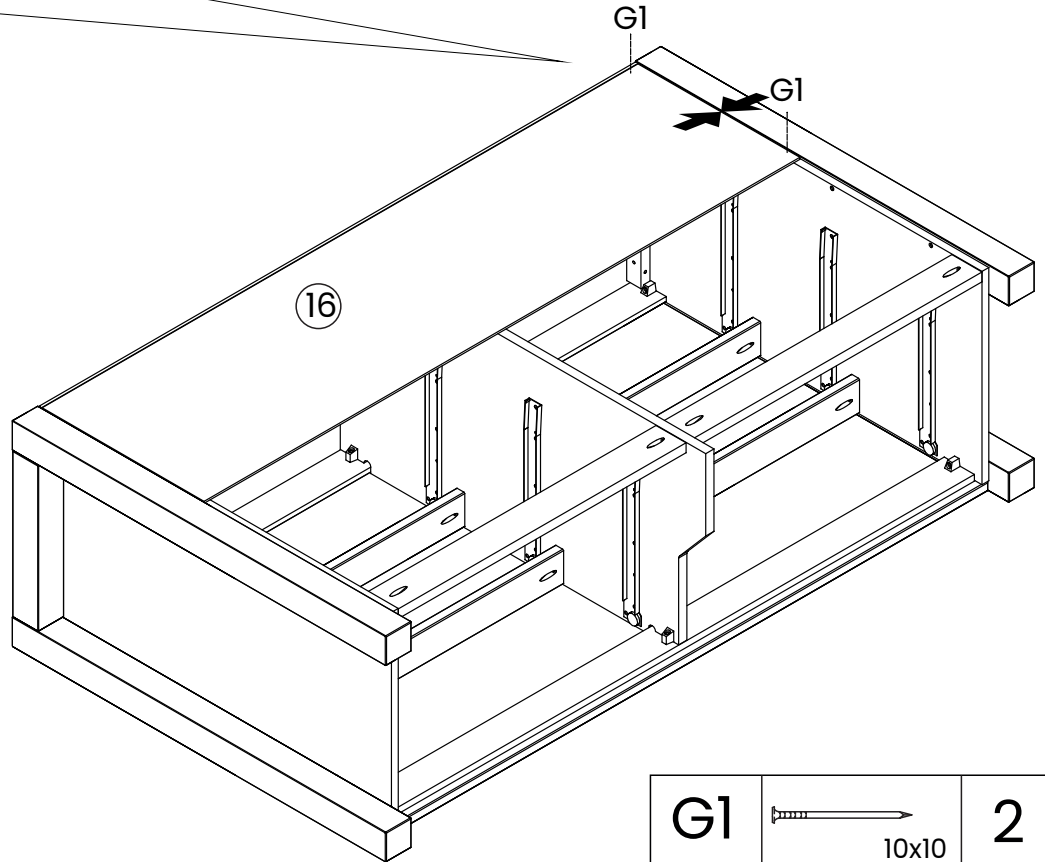
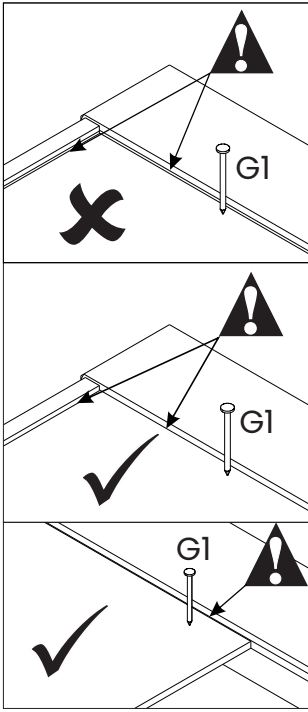
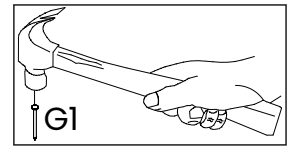



Attention: There are no predrilled holes for the A1 screws on part 07.



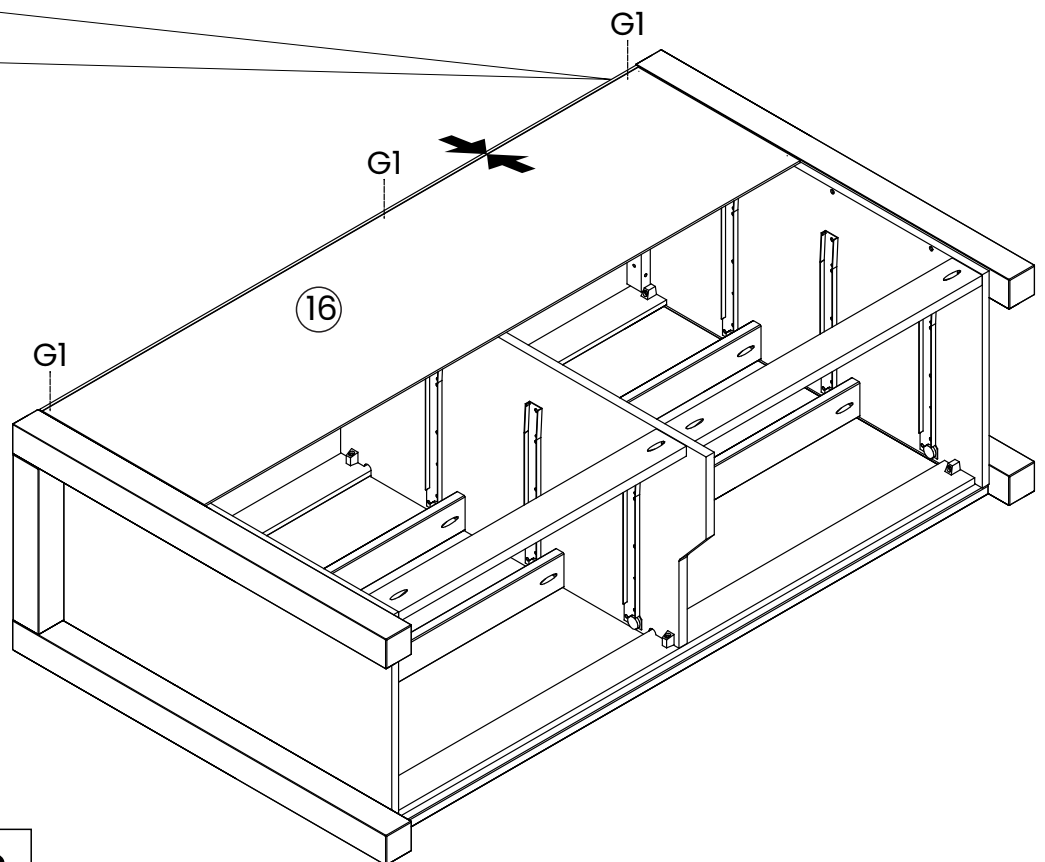
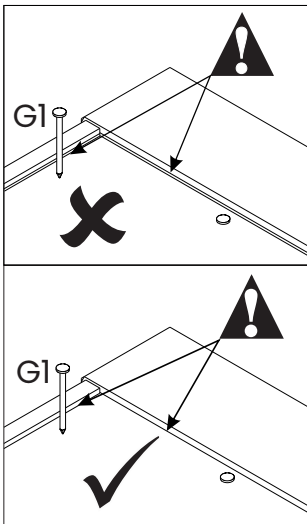
| | | | |
|------------|---|--------|----------|
| A1 |  | 4,0x30 | 1 |
| A5 |  | 3,5x16 | 2 |
| A40 |  | 4,0x45 | 6 |


14) Make sure back panels are perfectly aligned with side panels and top and there are NO gaps.



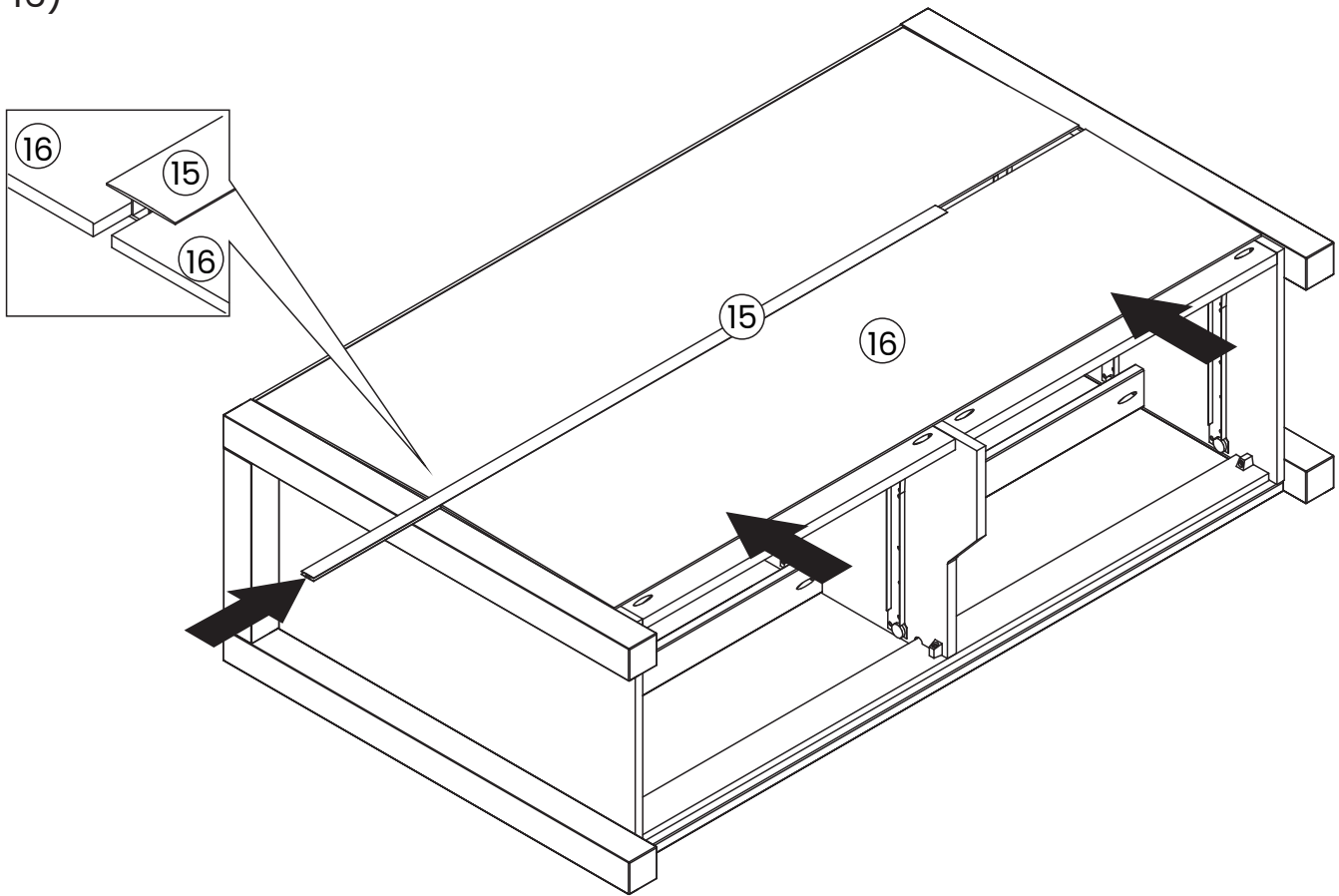
| | | |
|----|---|---|
| G1 |  | 2 |
| | 10x10 | |

15)

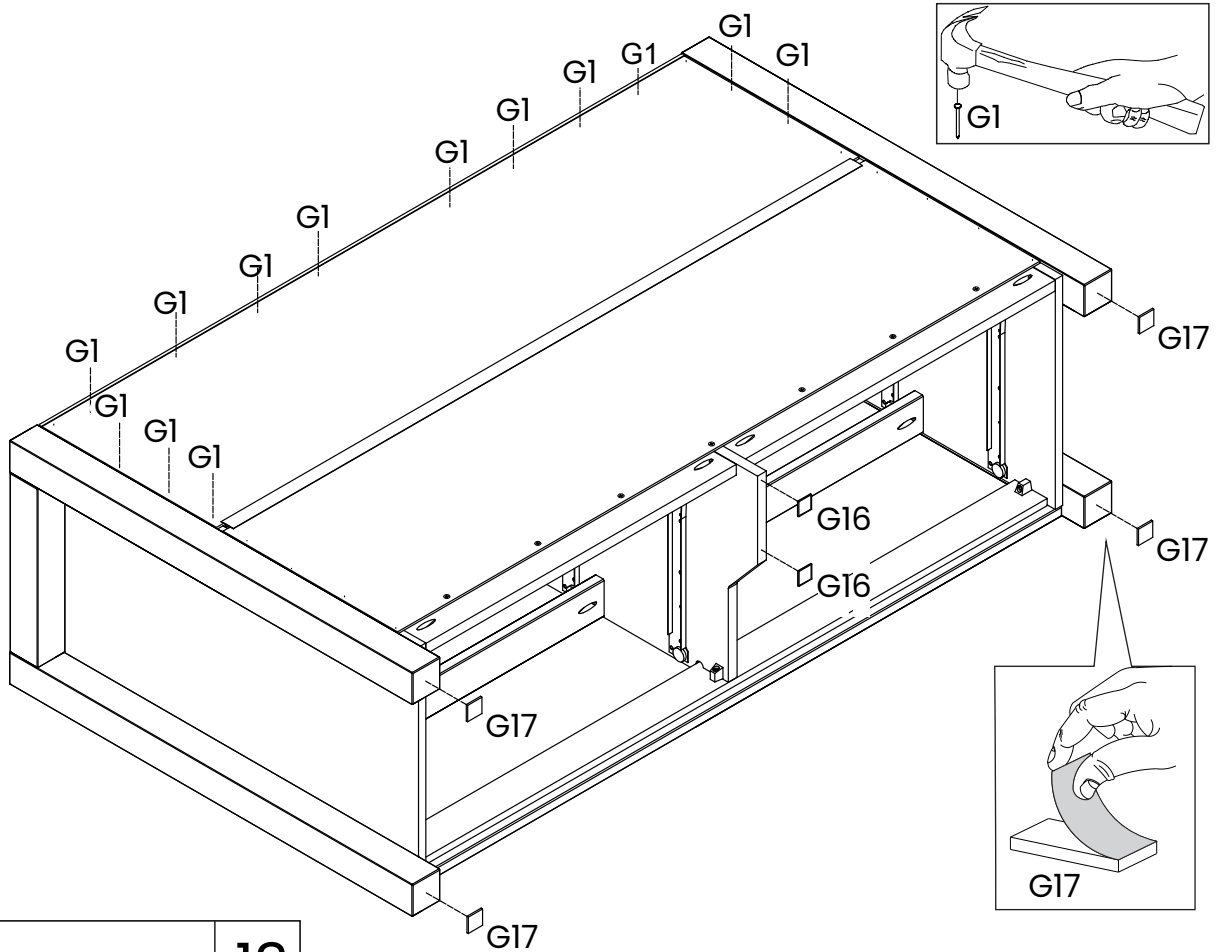



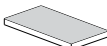
| | | |
|----|---|---|
| G1 |  | 3 |
| | 10x10 | |

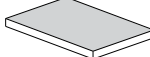
16)



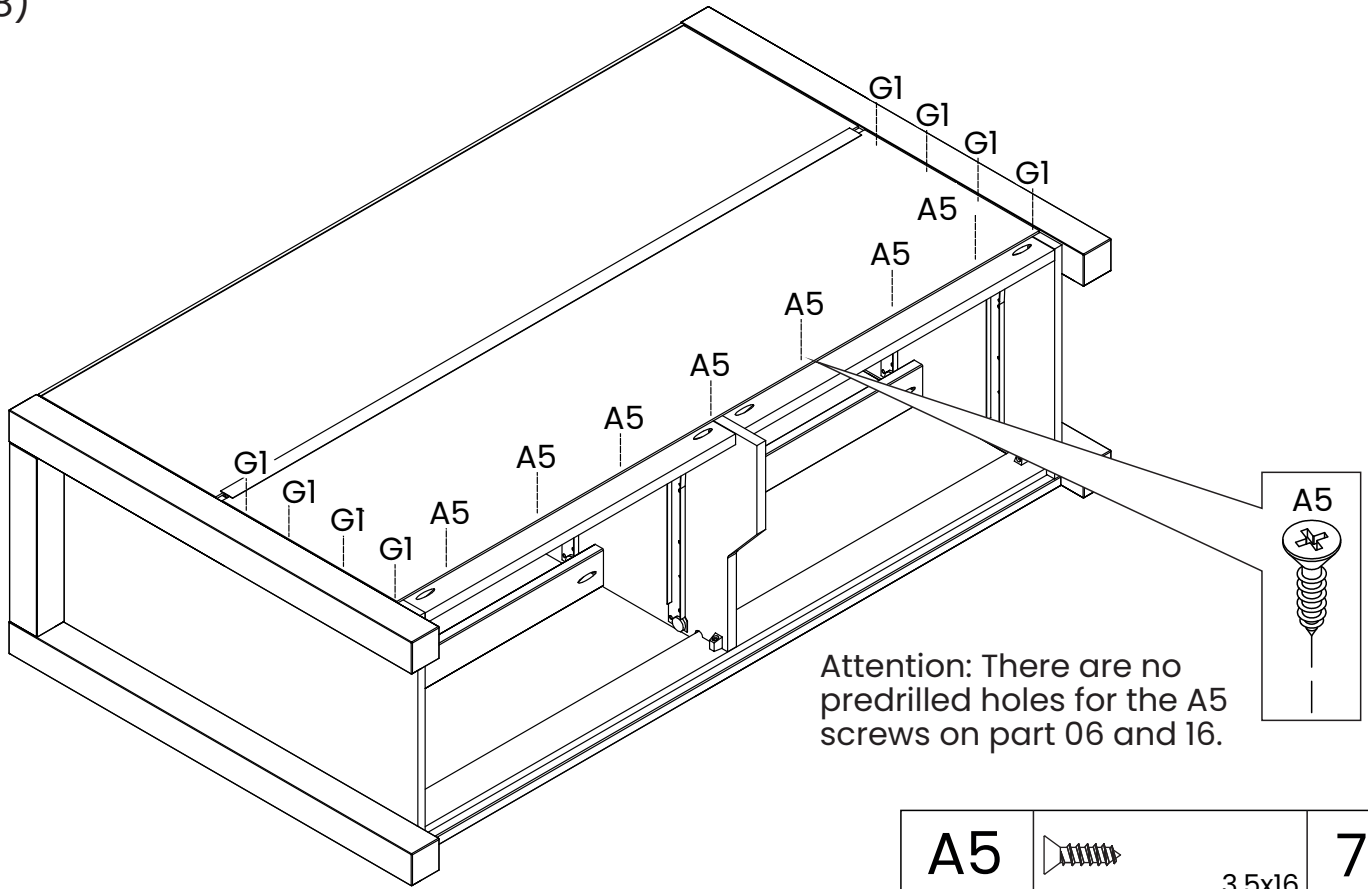
17)





| | | |
|-----|---|----|
| G1 |  | 13 |
| | 10x10 | |
| G16 |  | 2 |
| | 20x20 | |

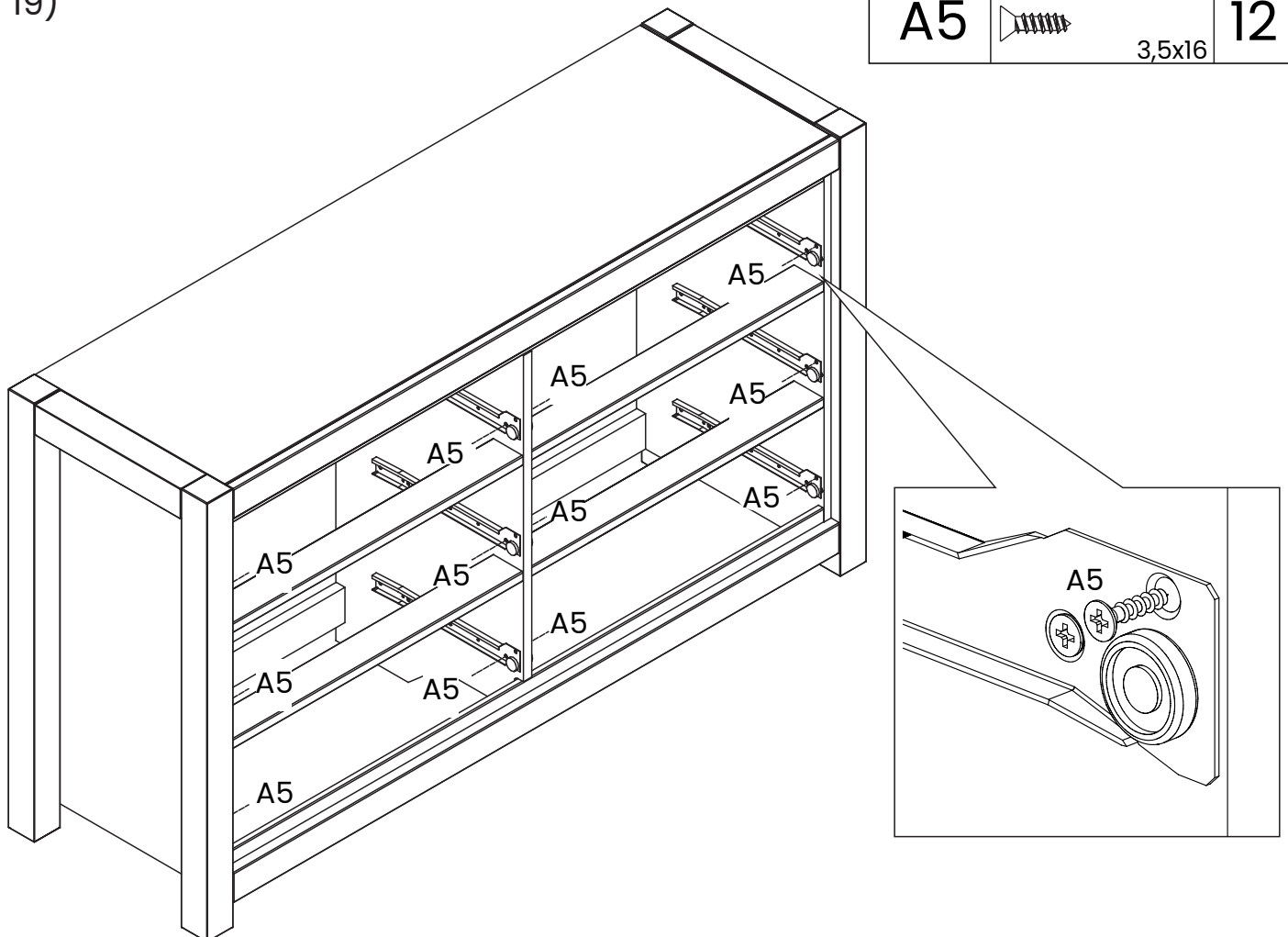
| | | |
|-----|---|---|
| G17 |  | 4 |
| | 50x50 | |


18)



| | | | |
|----|---|--------|---|
| A5 |  | 3,5x16 | 7 |
| G1 |  | 10x10 | 8 |

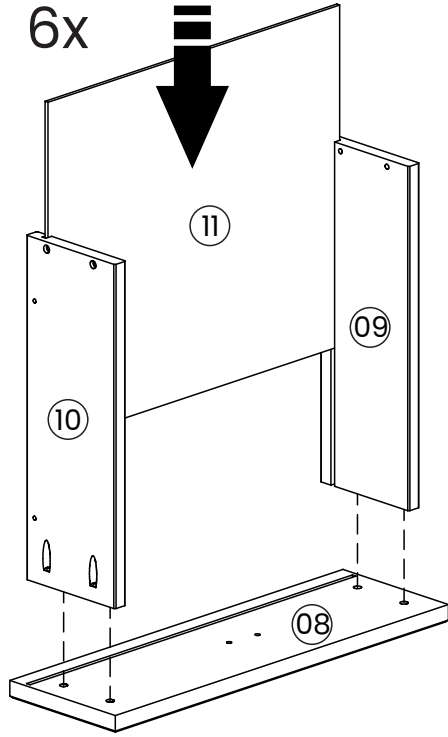
19)



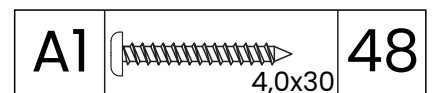
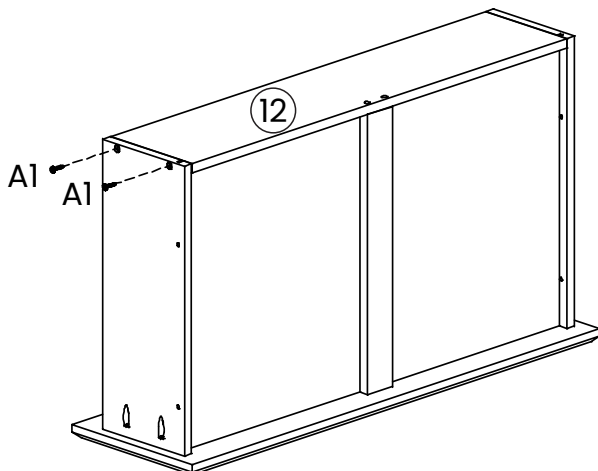
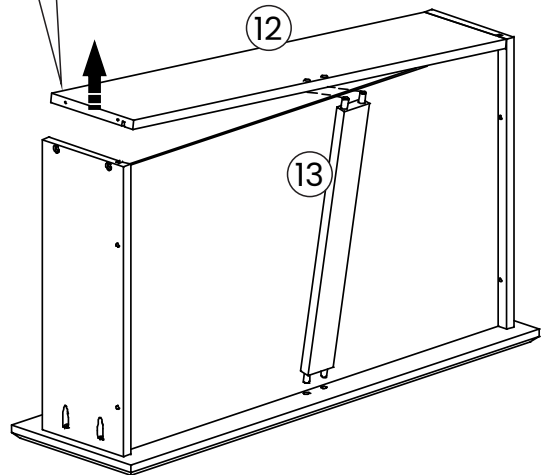
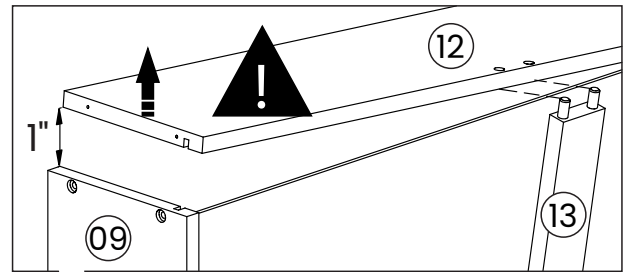
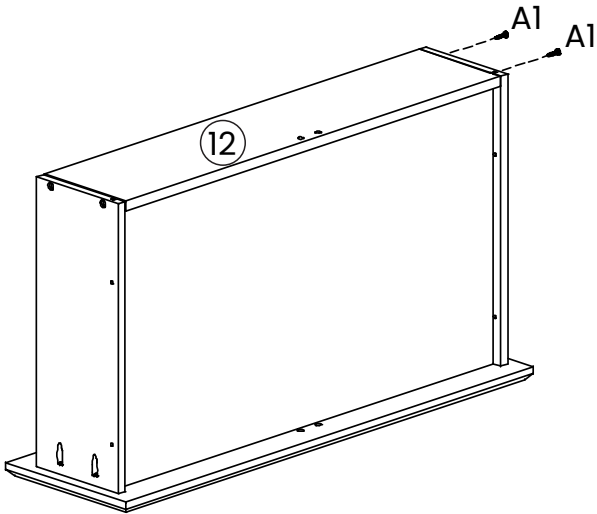
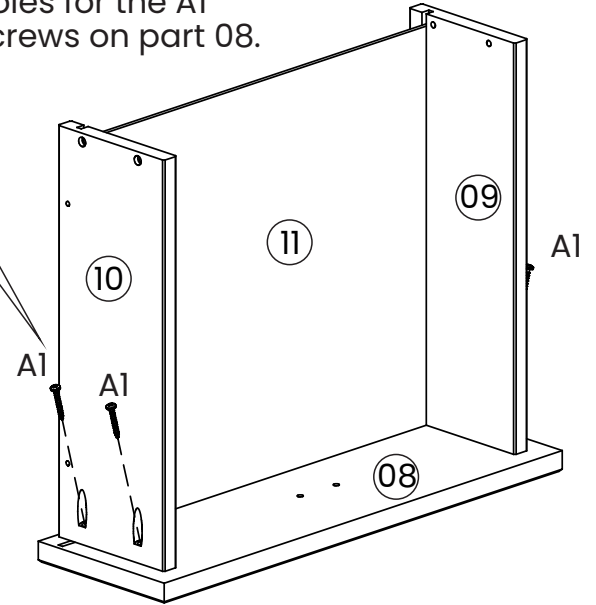
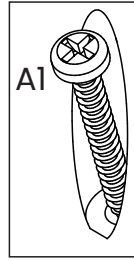
| | | | |
|----|---|--------|----|
| A5 |  | 3,5x16 | 12 |
|----|---|--------|----|

20)

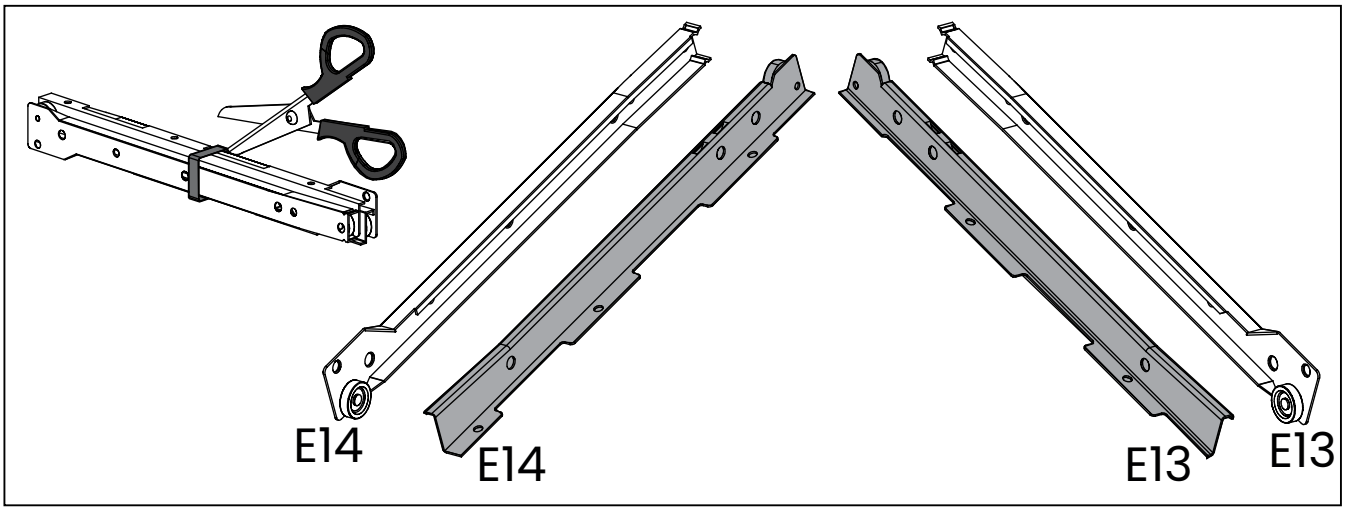
6x



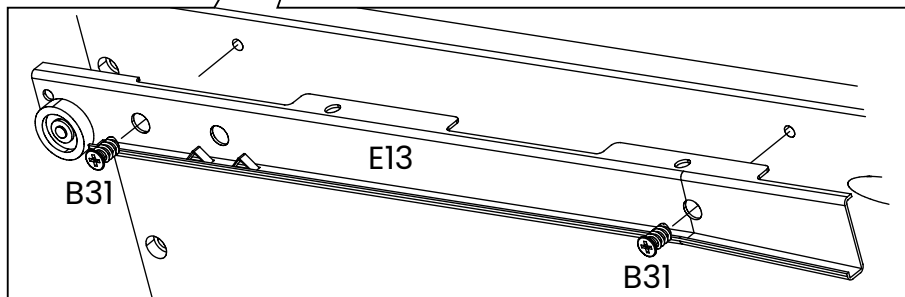
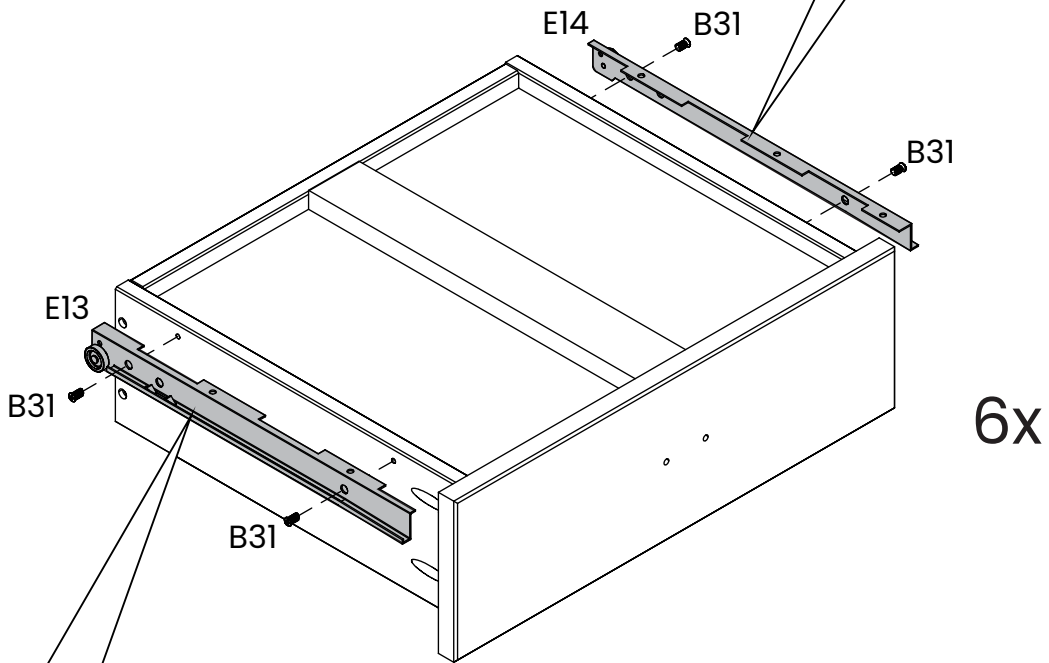
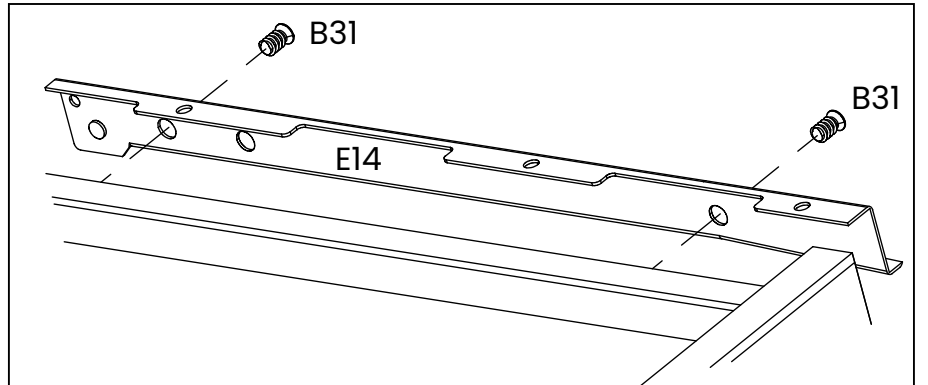
Attention: There are no predrilled holes for the A1 screws on part 08.



21)



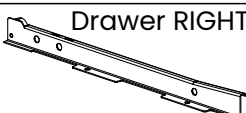
Flip the assembled drawer upside down to install glides.

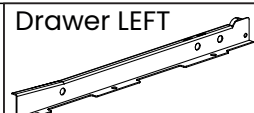


Need help?
Scan the QR code.

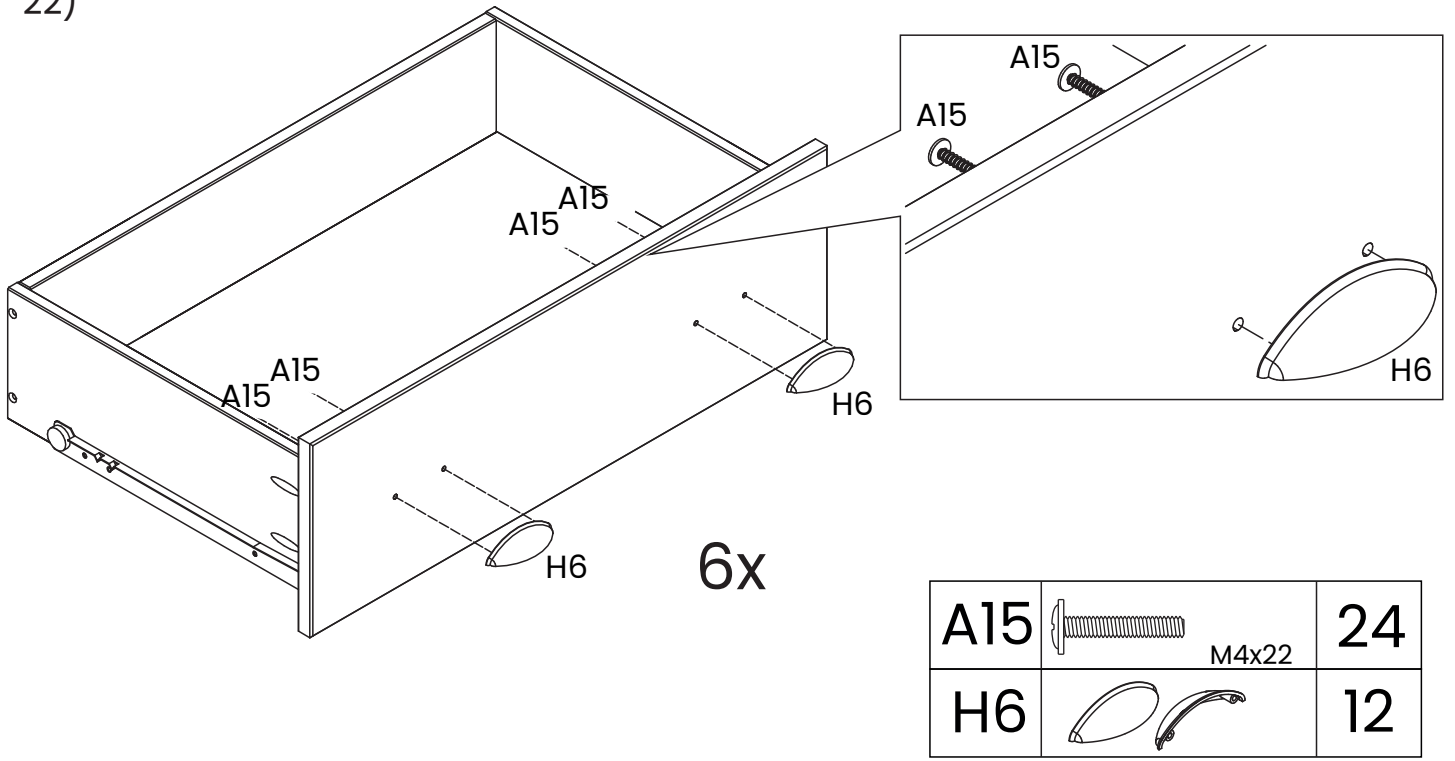


| | | | |
|-----|---|--------|----|
| B31 |  | 6,0x10 | 24 |
|-----|---|--------|----|

| | | | |
|-----|---|--------------|---|
| E13 |  | Drawer RIGHT | 6 |
|-----|---|--------------|---|

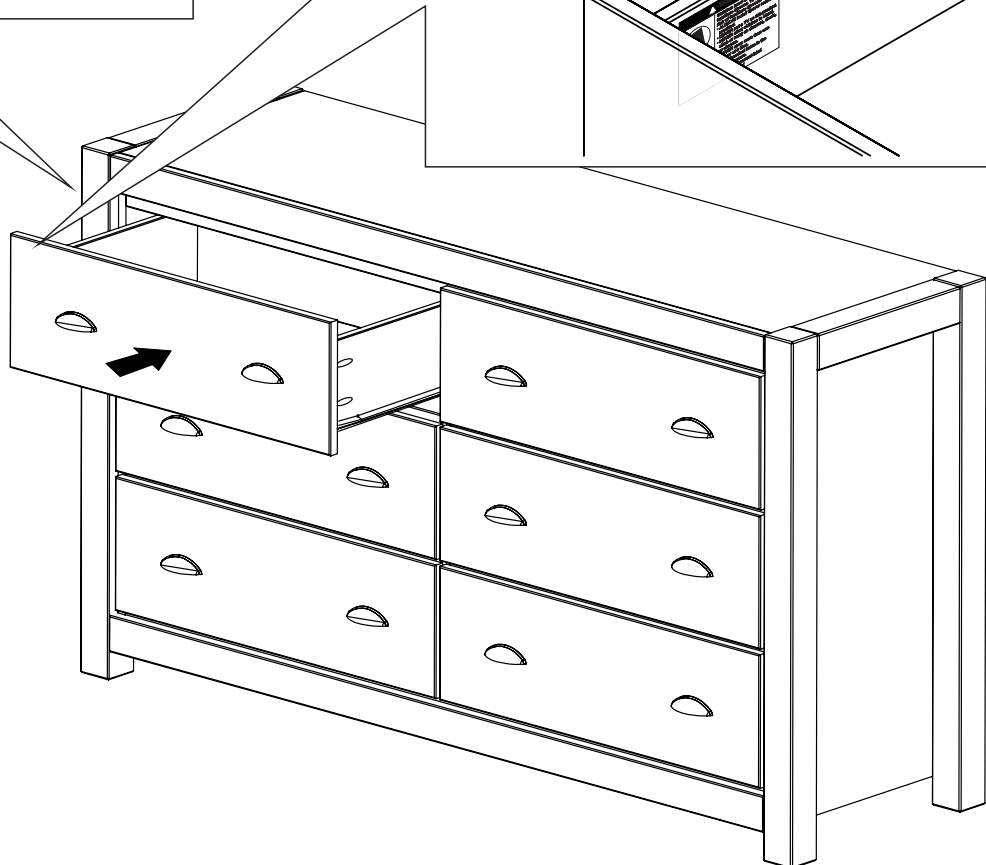
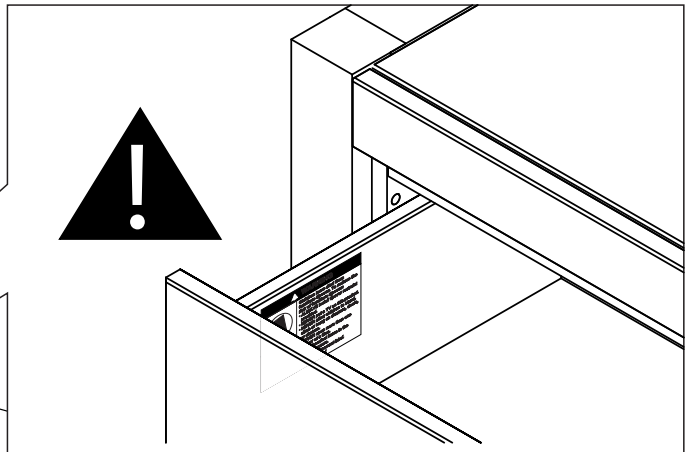
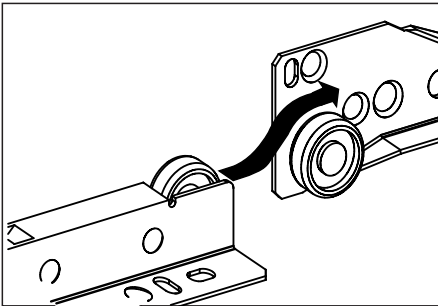
| | | | |
|-----|---|-------------|---|
| E14 |  | Drawer LEFT | 6 |
|-----|---|-------------|---|

22)

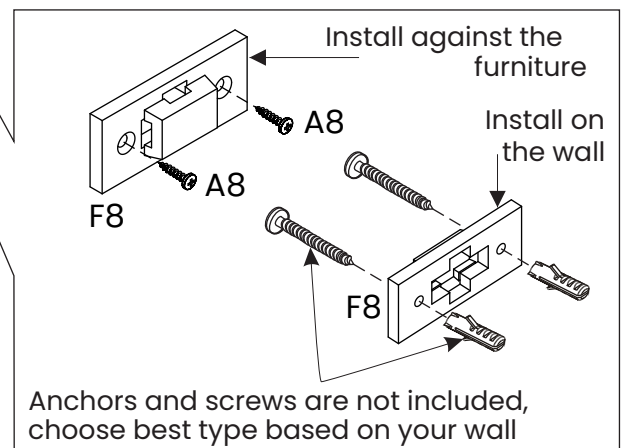
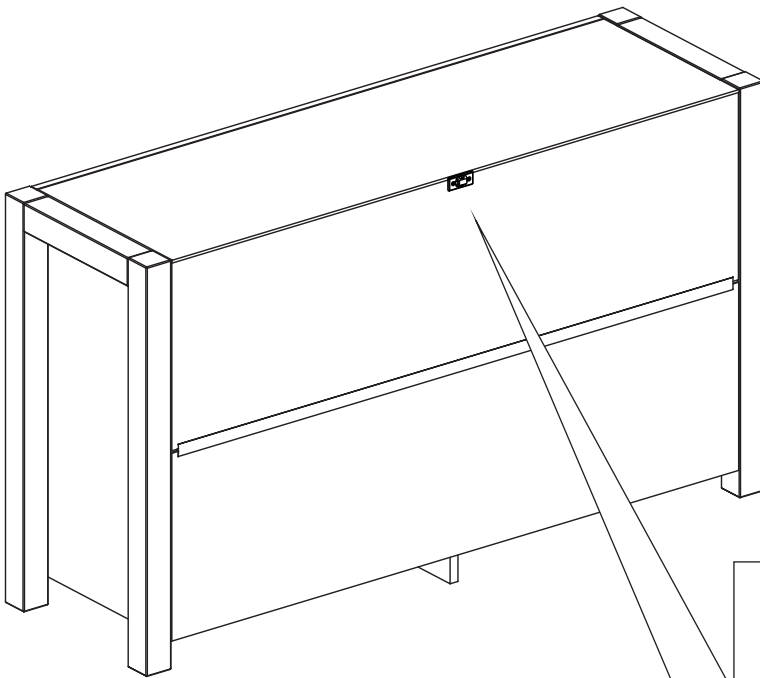
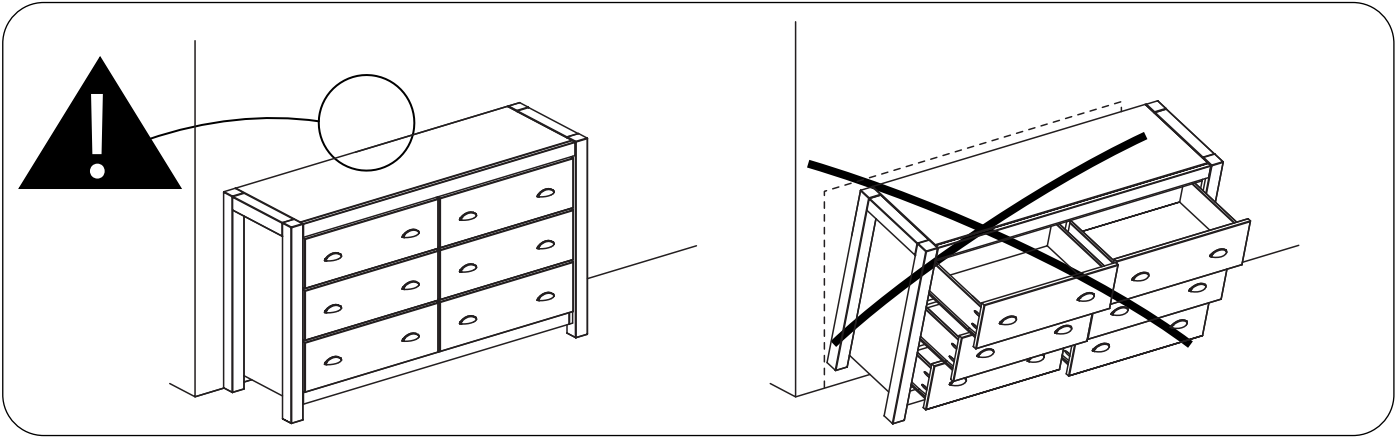



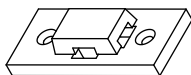

23)

Place the labeled drawer on the top position



24) FURNITURE ANTI-TIPPING RESTRAINT KIT



| | | |
|----|---|----|
| A8 |  3x20 | 02 |
| F8 |  | 02 |
| F9 |  15x30 | 01 |

