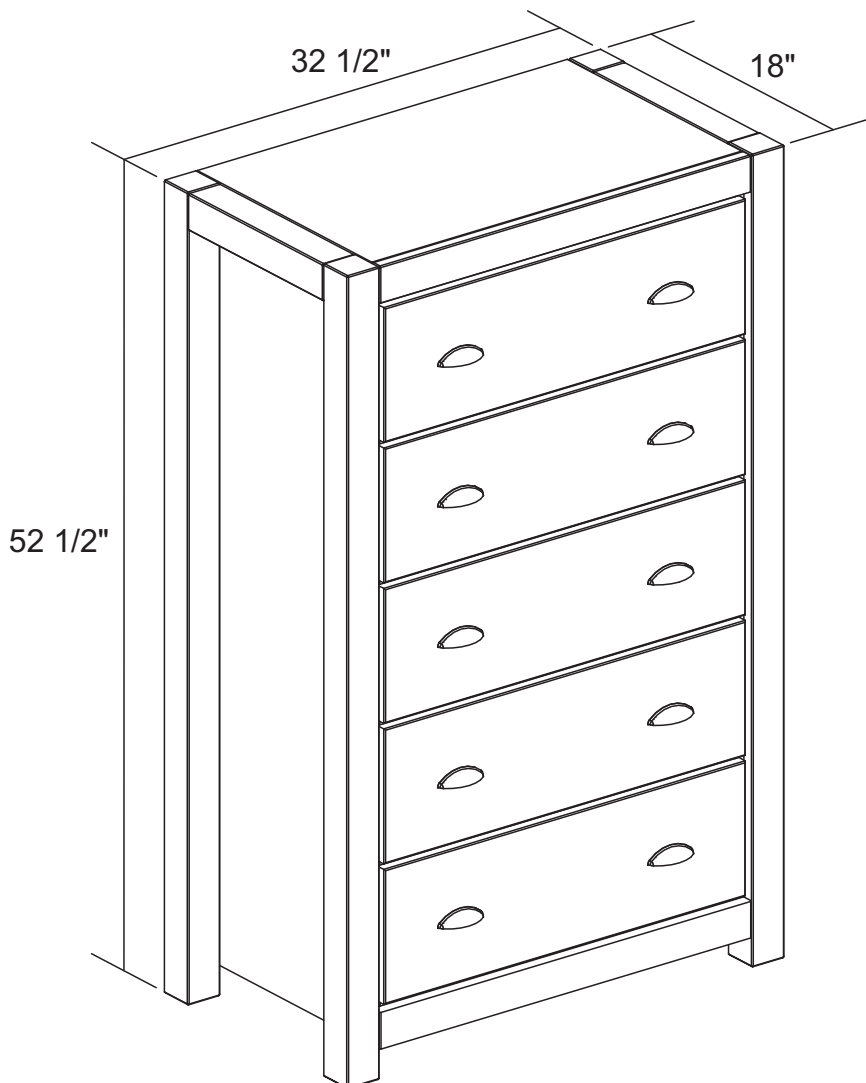


# Assembly Instructions

## Montauk Collection 5 Drawer Chest



Thank you for purchasing our furniture, it's an honor to be in your home!

Every effort has been made to ensure your Wood Furniture is of the finest quality. If you have any questions or need any replacement parts, please do not hesitate to contact us at [www.grainwoodfurniture.com](http://www.grainwoodfurniture.com).



[www.grainwoodfurniture.com](http://www.grainwoodfurniture.com)

				<table border="1"> <thead> <tr> <th>Model #</th> <th>Finish</th> </tr> </thead> <tbody> <tr> <td>MT0711</td> <td>Rustic Walnut</td> </tr> <tr> <td>MT0712</td> <td>Rustic Off-White</td> </tr> <tr> <td>MT0720</td> <td>Rustic Grey</td> </tr> <tr> <td>MT0724</td> <td>Driftwood</td> </tr> </tbody> </table>	Model #	Finish	MT0711	Rustic Walnut	MT0712	Rustic Off-White	MT0720	Rustic Grey	MT0724	Driftwood	
Model #	Finish														
MT0711	Rustic Walnut														
MT0712	Rustic Off-White														
MT0720	Rustic Grey														
MT0724	Driftwood														

MADE IN BRAZIL

## PLEASE READ BELOW BEFORE BEGINNING YOUR ASSEMBLY

Here are some tips on assembling your flat-pack furniture in order to minimize your assembly time and frustrations:

- Do Not throw away packaging material until assembly is complete.
- Assemble the item on a soft surface, such as cardboard or old blanket, to protect finish from possible dents or scratches.
- Choose a spacious, open area near where the piece will be located. It is easier to move parts than to relocate the furniture after it is fully assembled, depending on its size and weight.
- Organize everything and count it twice. If you organize the items by parts, you'll find it much easier to grab each piece as you build.
- Real Wood furniture may present imperfections such as wood knots, minor splits or cracks that are part of the natural aspect of the material. In few cases, also can be caused by variations of air moisture and temperature. Whenever stability of the piece of furniture is not compromised we recommend customers to perform cosmetic touch-ups by wax crayon fillers sold at all major hardware stores.
- It is best to use any tools the kit provides, such as a hex key, because they may be specially sized for that piece of furniture. We do not recommend the use of power drill, it can damage your furniture if not used correctly.
- Read the entire list of instructions, arranging your parts in order of use as you go.
- Finally, Enlist a help from friends and family since proper assembly of most items require 2 people.

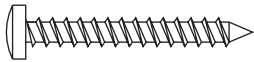


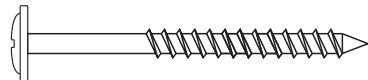

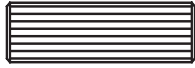
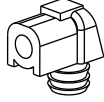

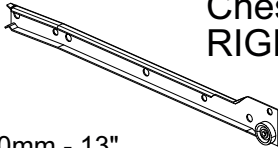
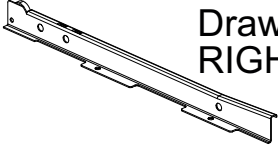
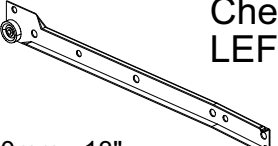
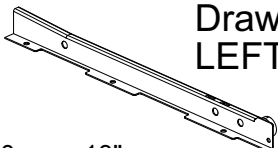
### **Wood Furniture Care:**


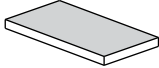

- *Clean with a cloth dampened with water or furniture polish following the pattern of the grain.*
- *Do NOT use solvents such as alcohol for cleaning.*
- *Avoid placing under direct sun light, to prevent UV damage.*
- *Avoid positioning very close to heaters or AC vents.*
- *Hot pads should always be used when placing warm serving dishes on your furniture.*
- *Very hot items such as a sauce pan or baking dish should never be placed on a tabletop, even with a hot pad.*
- *Place mats will help to protect the finish from dishes and silverware, and coasters will help protect your furniture from moisture.*

Enjoy your Real Wood Furniture!


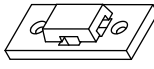



# HARDWARE LIST

A1	 4,0x30	56 + 2
A4	 3,5x14	26 + 2
A15	 M4x22	20 + 2
A40	 4,0x45	12
B31	 6,0x10	40 + 2
C2	 8,0x25	72 + 2
D21		04
D34		03
E13	 Chest RIGHT 330mm - 13"	05
E13	 Drawer RIGHT 330mm - 13"	05
E14	 Chest LEFT 330mm - 13"	05
E14	 Drawer LEFT 330mm - 13"	05

G1	 10x10	28
G11		04
H6		10

## FURNITURE ANTI-TIPPING RESTRAINT KIT

A8	 3,0x20	02 + 1
F8		02
F9		01



## ATTENTION

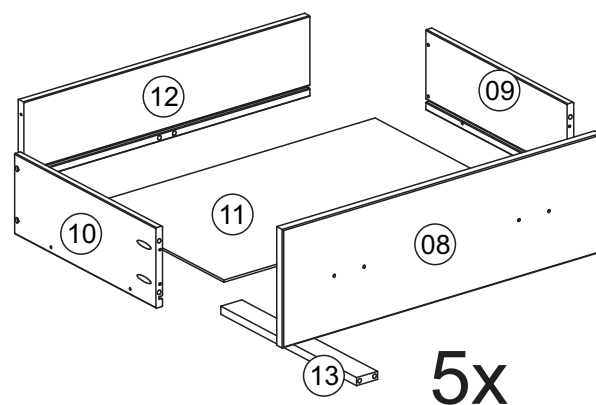
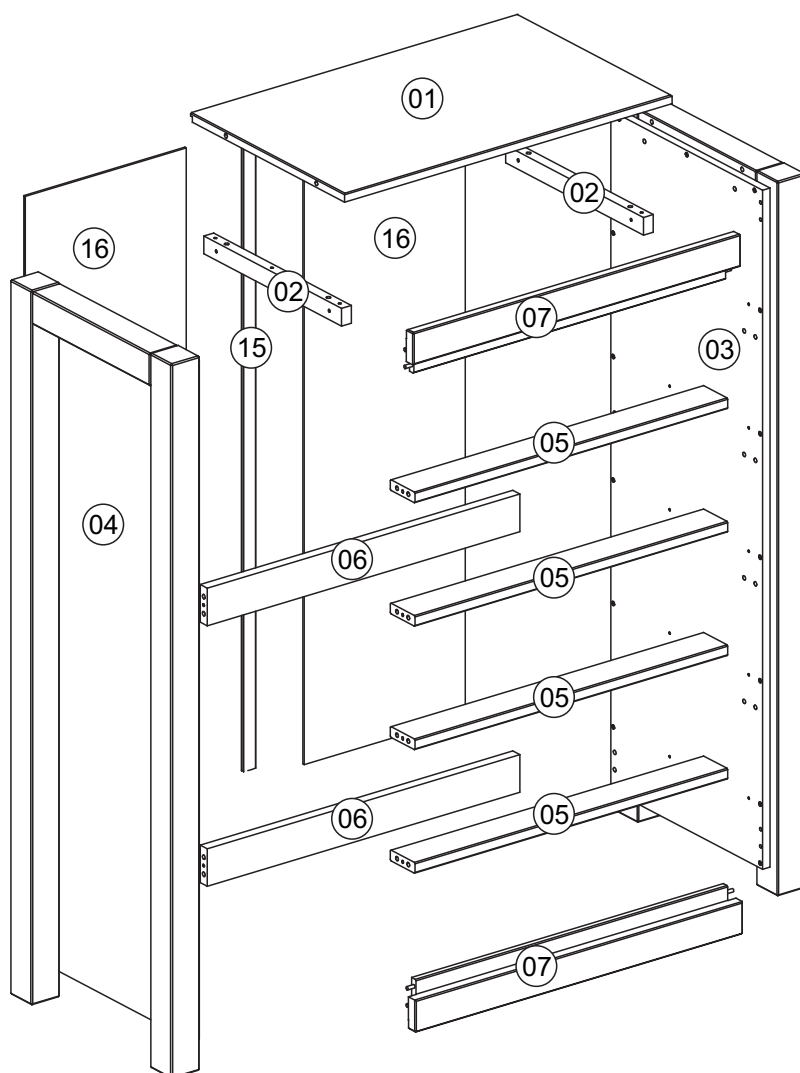
Before starting assembly please verify if the hardware set is complete.

For missing hardware please contact us at [www.grainwoodfurniture.com](http://www.grainwoodfurniture.com)

### WARNING:

#### CHOKING HAZARD

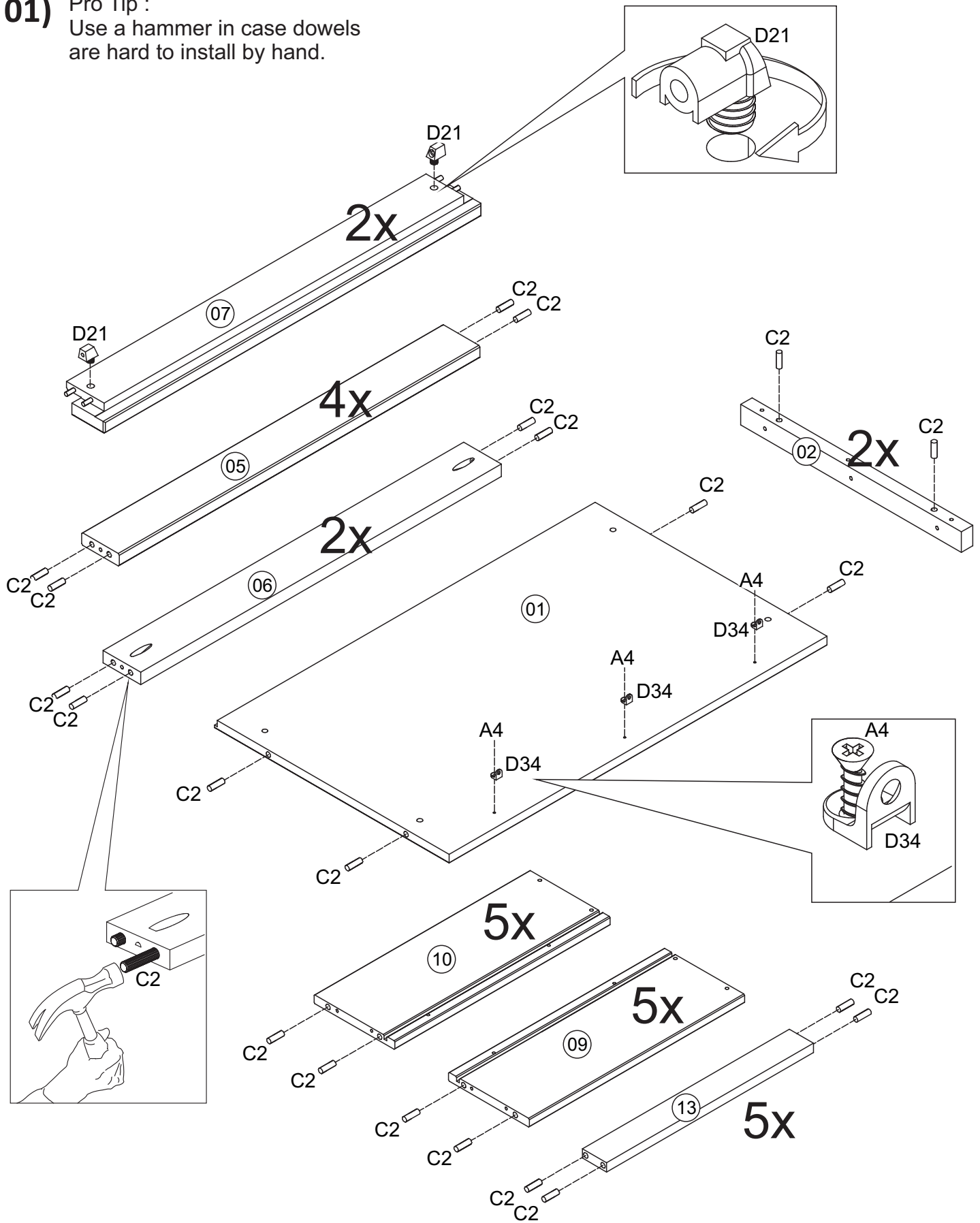
- Small Parts, not for Children.  
To be Assembled by an Adult.







## Parts list

Box 1			Box 2		
Part #	Description	qty	Part #	Description	qty
01	Top	1	03	Right side	1
02	Cleat	2	04	Left side	1
05	Middle crosspiece	4	09	Drawer right side	5
06	Rear Crosspiece	2	10	Drawer Left side	5
07	Upper / Lower crosspiece	2	15	Profile "H"	1
08	Drawer front	5	16	Back panel	2
11	Drawer bottom	5		Hardware	1
12	Drawer back	5			
13	Drawer bottom support	5			

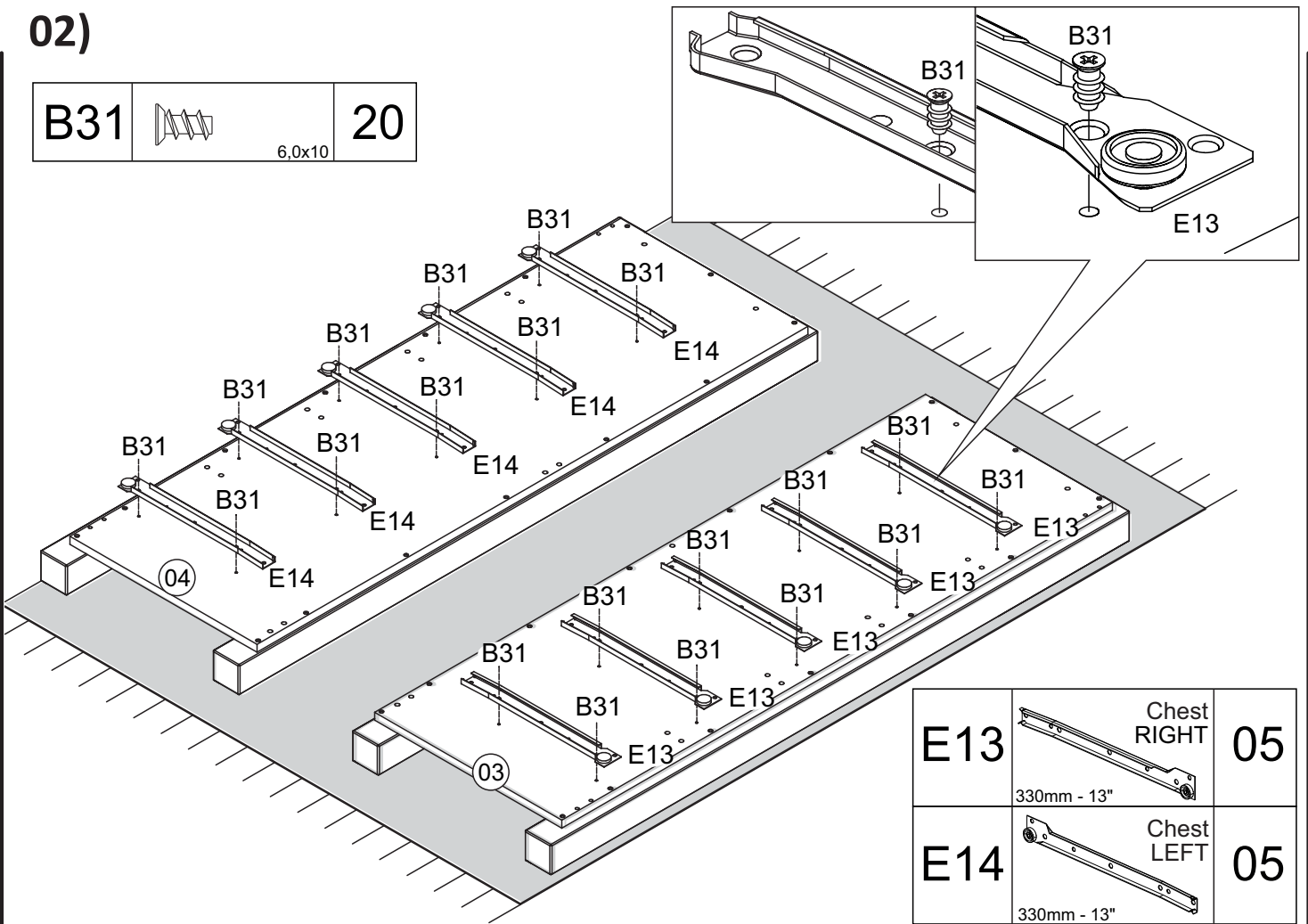
**01)** Pro Tip :  
Use a hammer in case dowels  
are hard to install by hand.

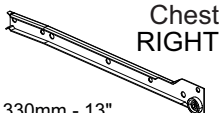
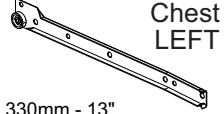


A4		03	D21		04
C2		72	D34		03
	3,5x14				
	8,0x25				

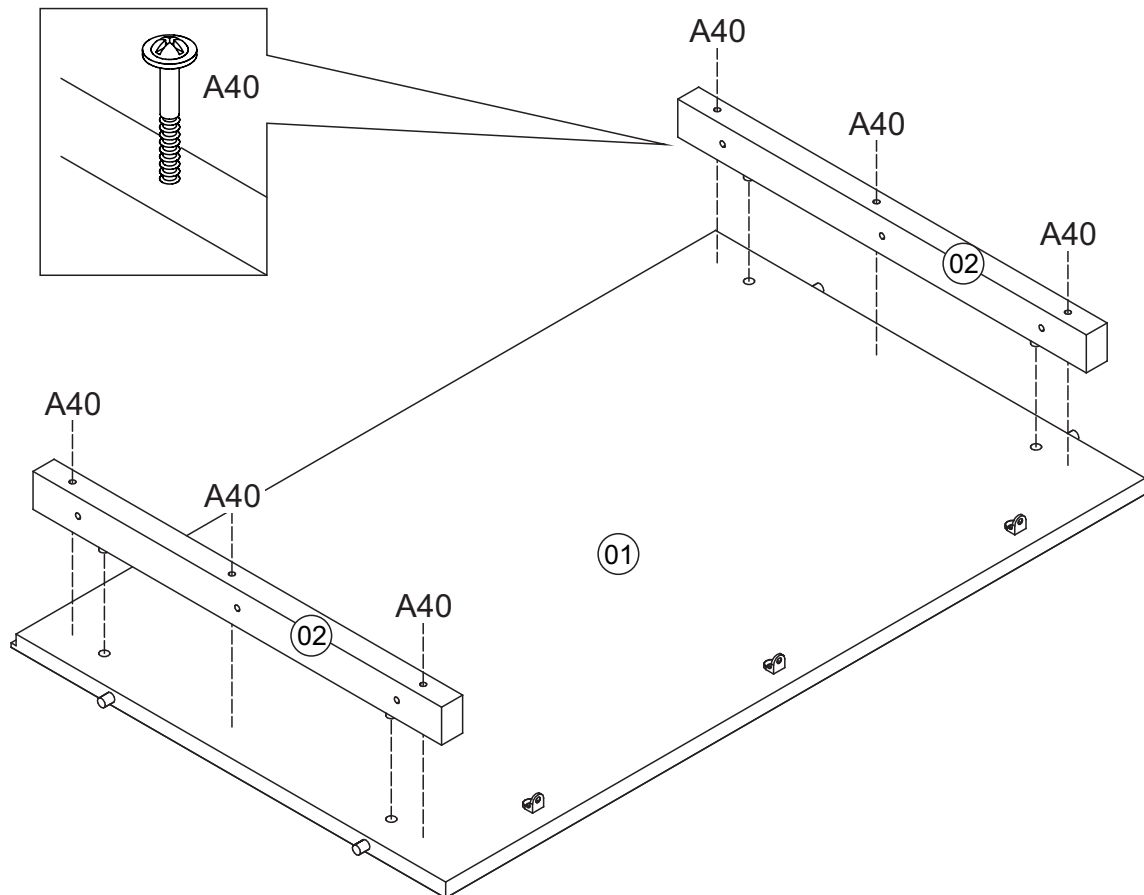
# 02)


<b>B31</b>		6,0x10	<b>20</b>
------------	---	--------	-----------



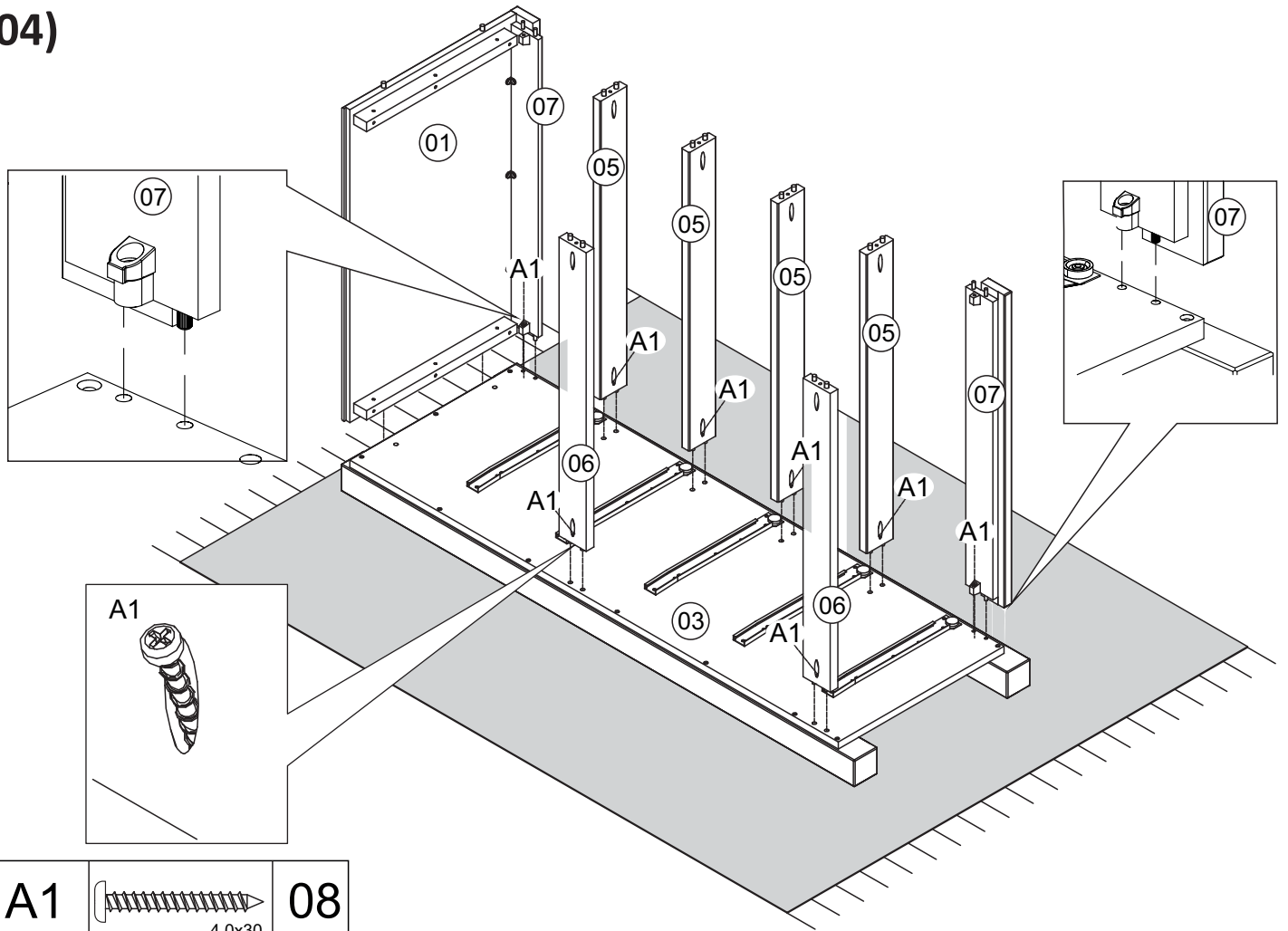
<b>E13</b>		Chest RIGHT	<b>05</b>
	330mm - 13"		
<b>E14</b>		Chest LEFT	<b>05</b>
	330mm - 13"		

# 03)

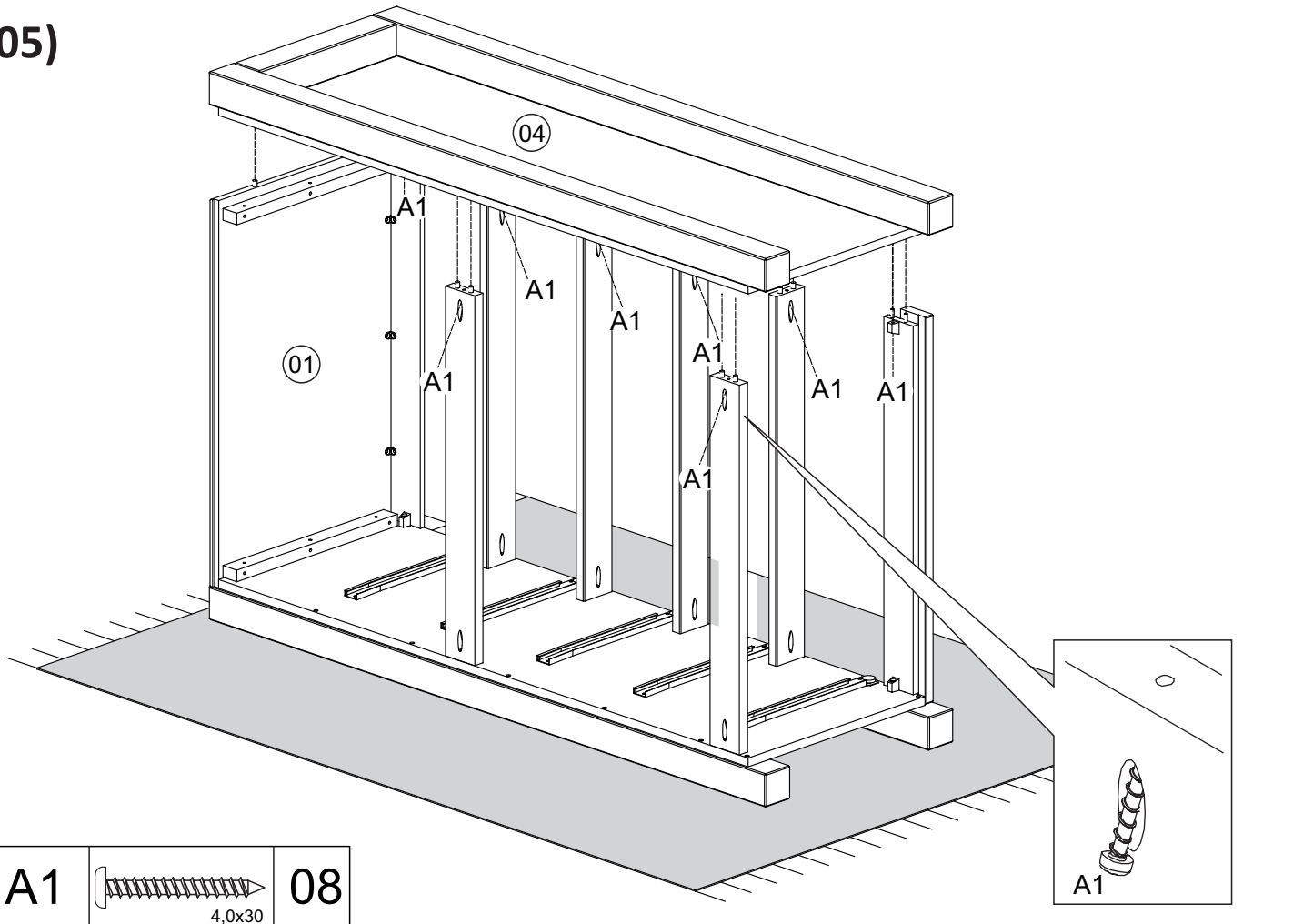


<b>A40</b>		4,0x45	<b>06</b>
------------	---	--------	-----------

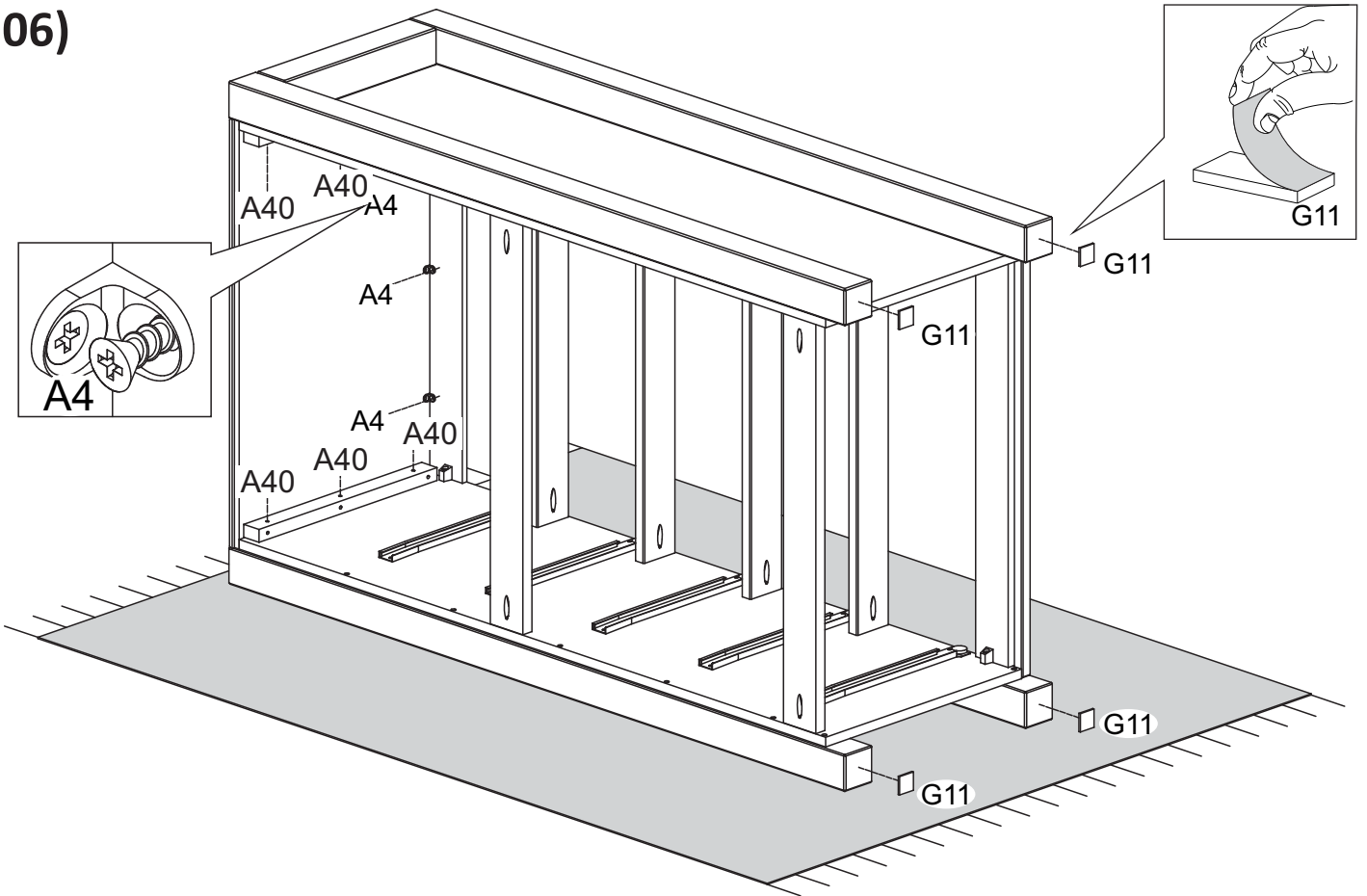
04)






05)

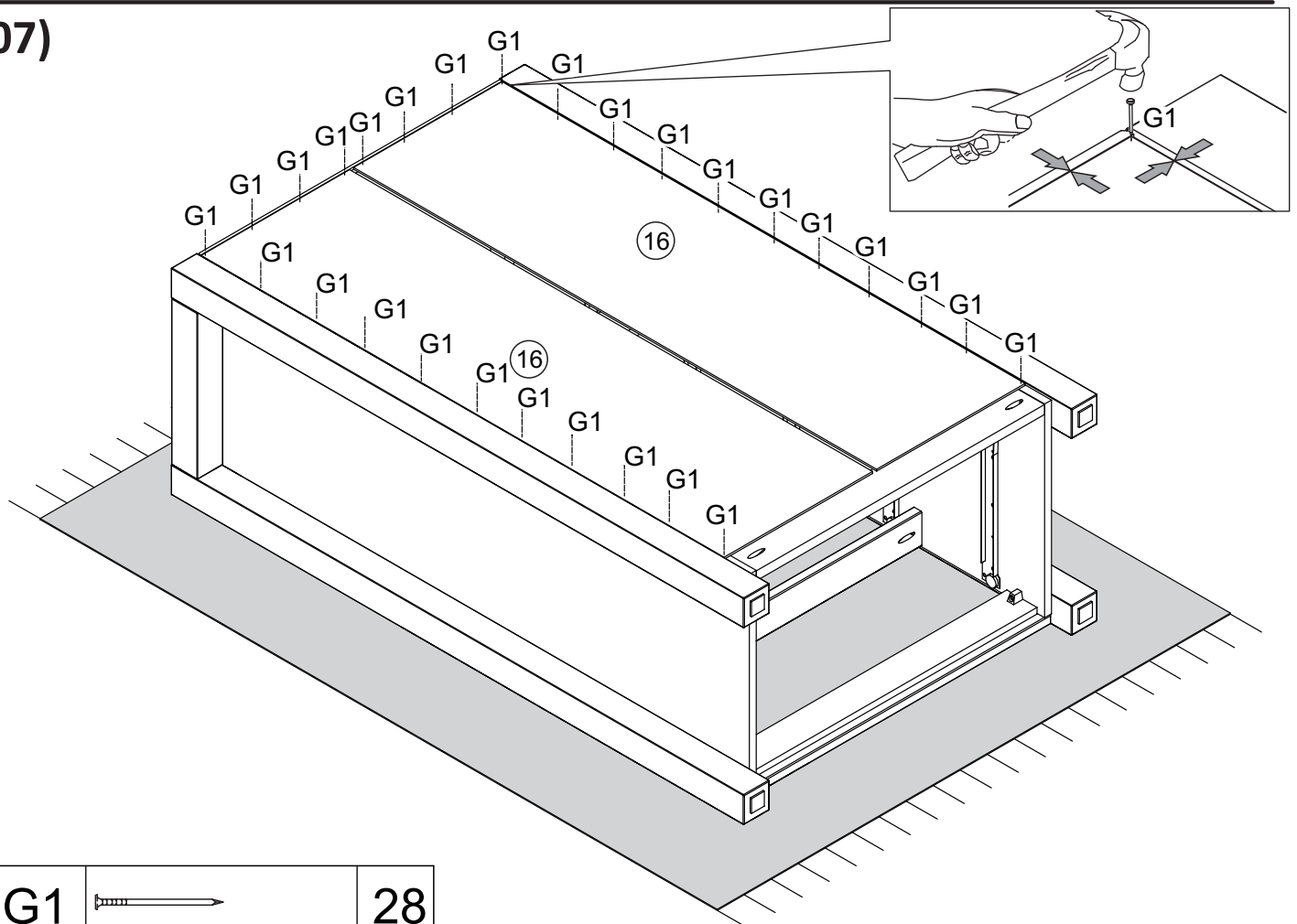



06)



A4	 3,5x14	03	 4,0x45	06	G11	 04
----	--	----	--	----	-----	--

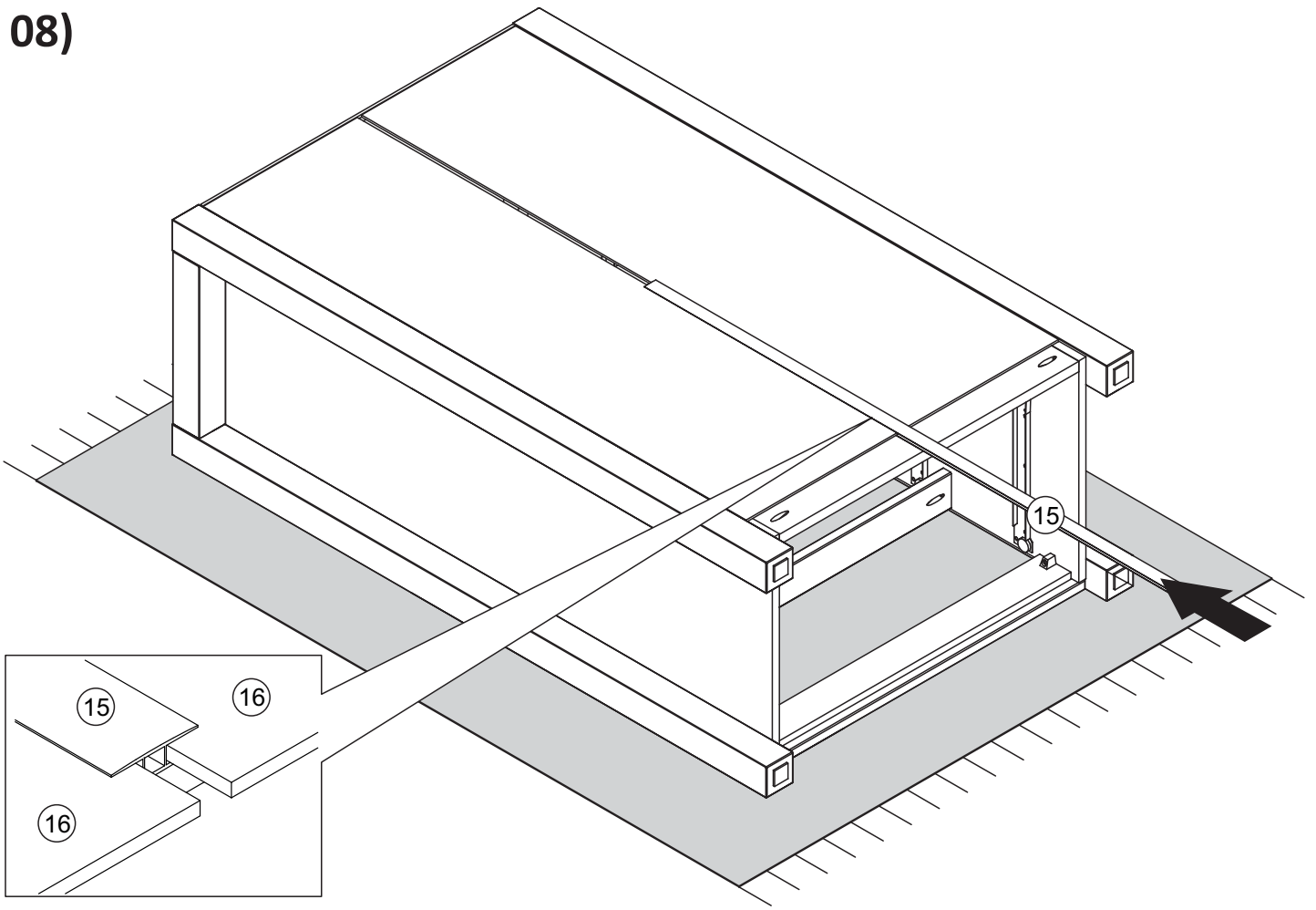
07)



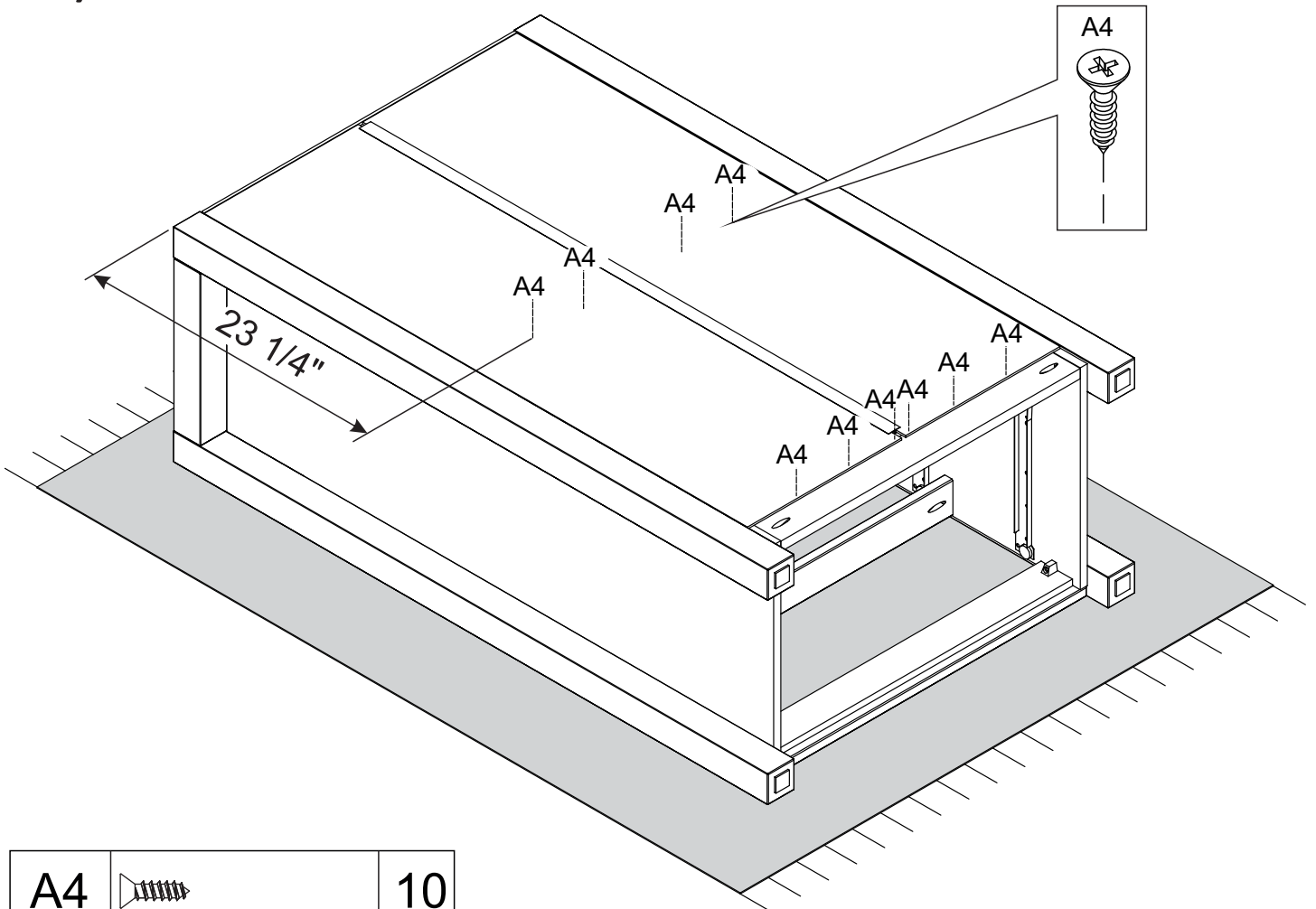
G1	 10x10	28
----	---	----



08)



09)



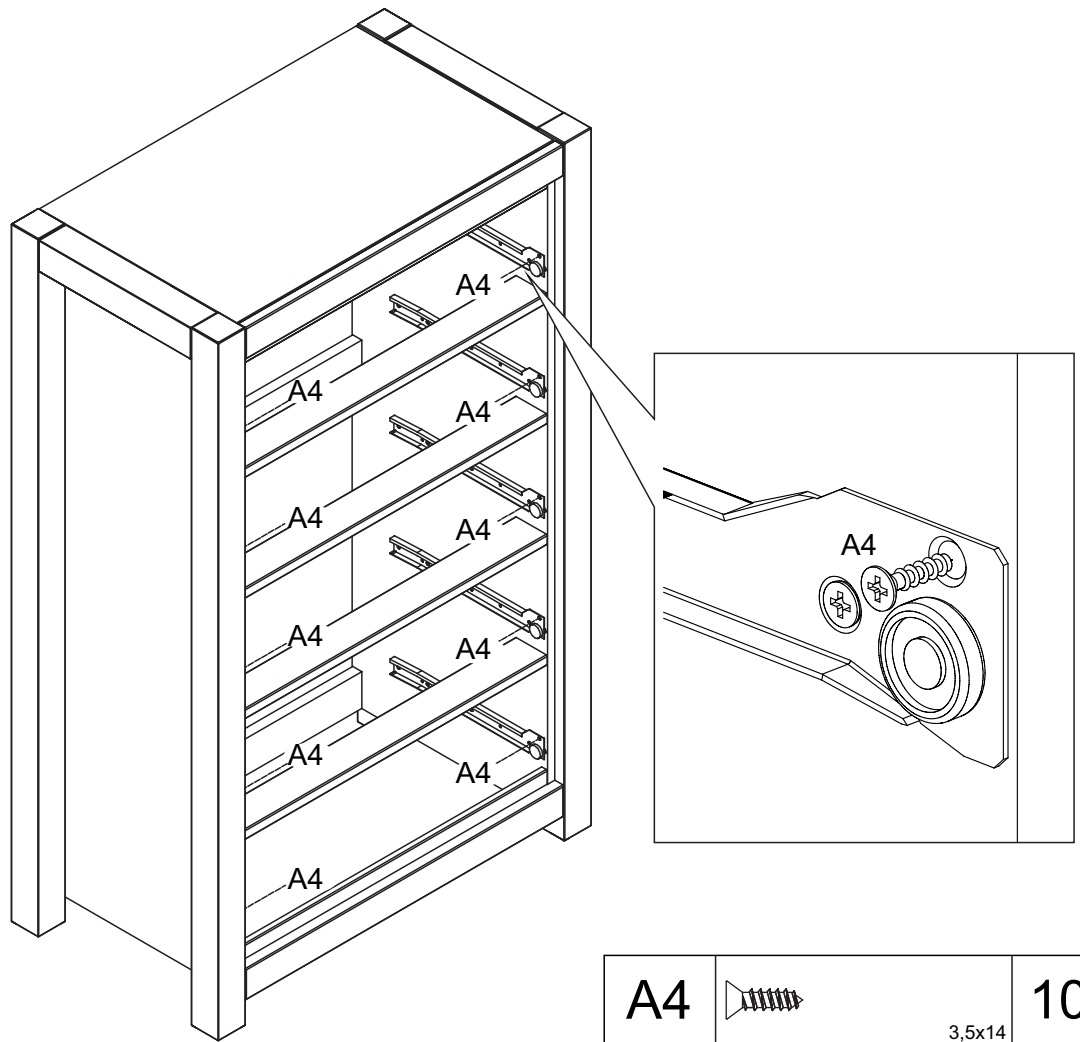
A4



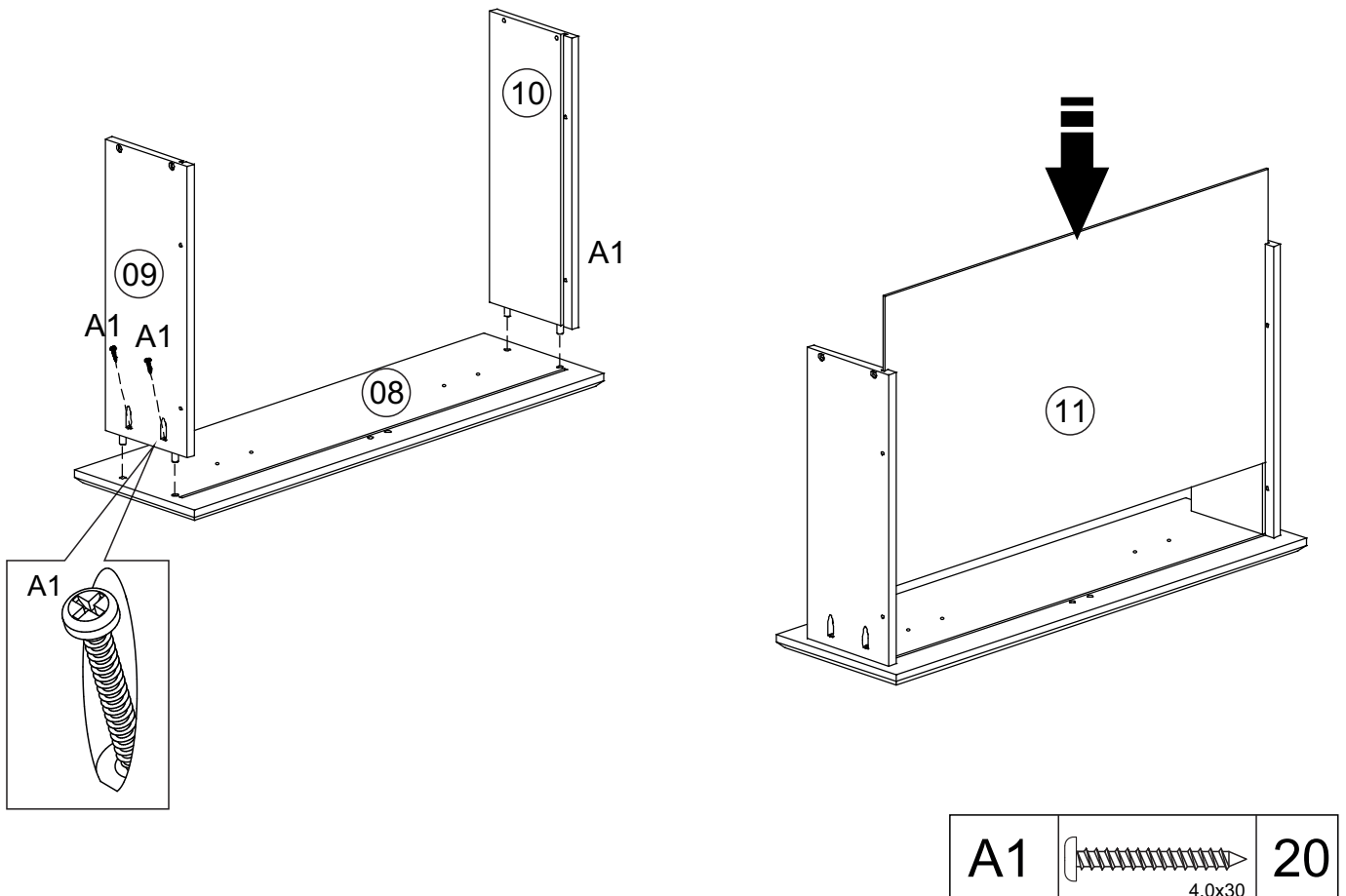
3,5x14

10

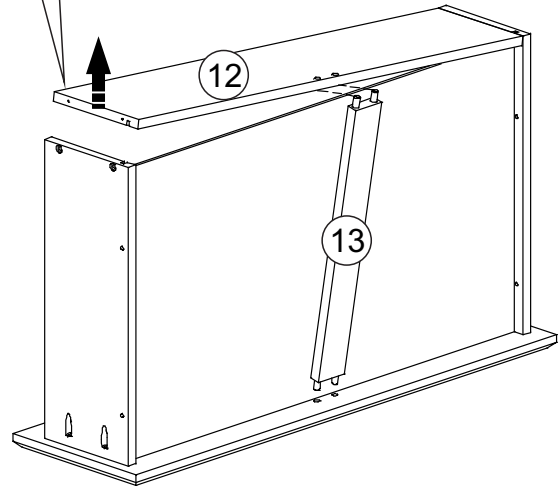
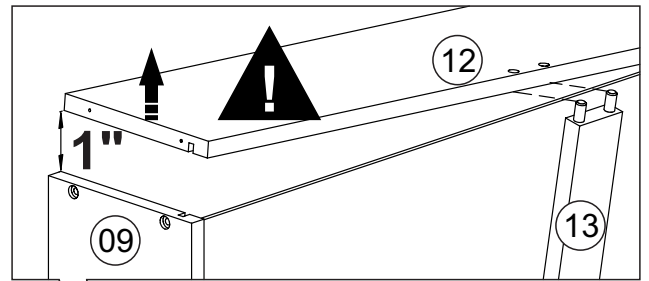
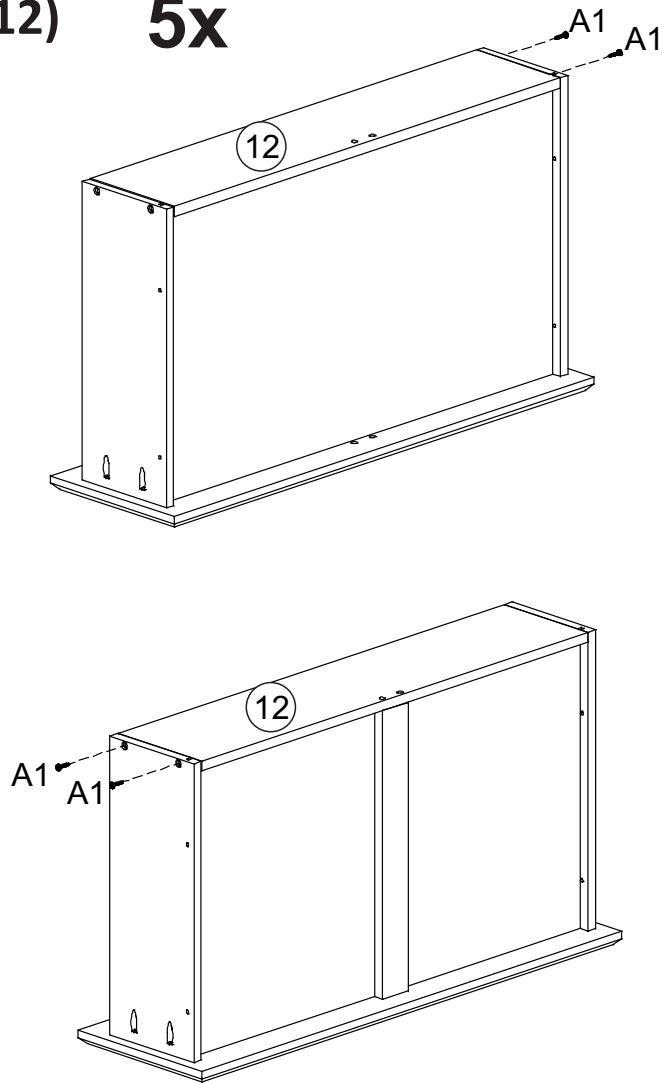
10)




11) 5x

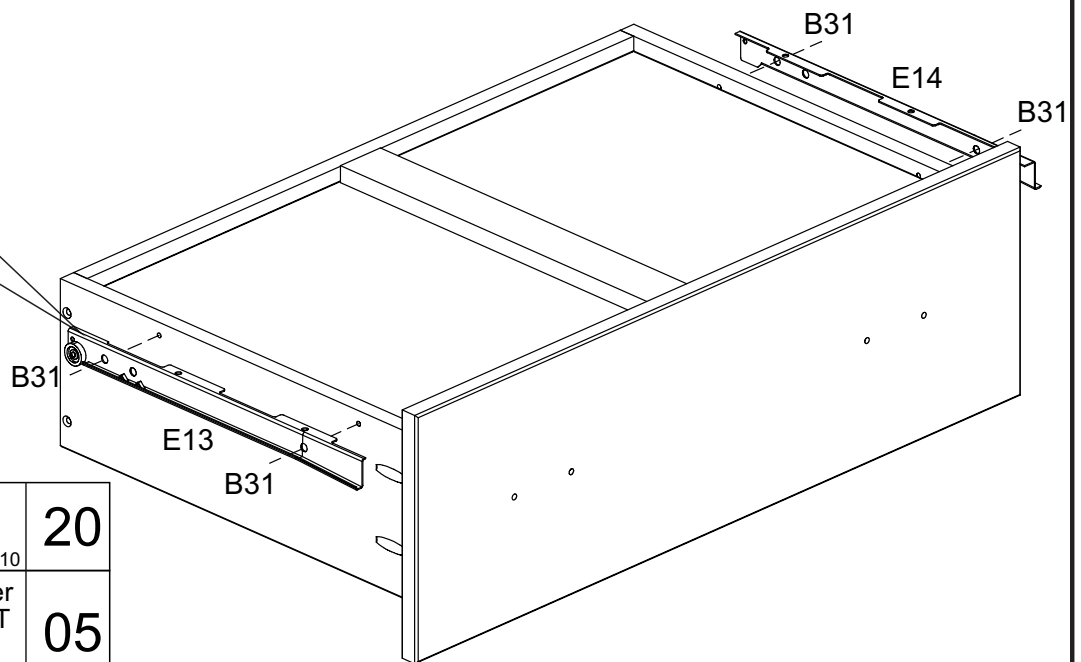
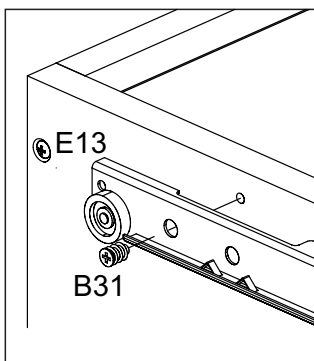



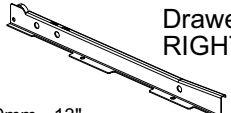
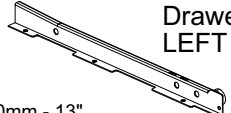
12) 5x



A1		20
	4,0x30	

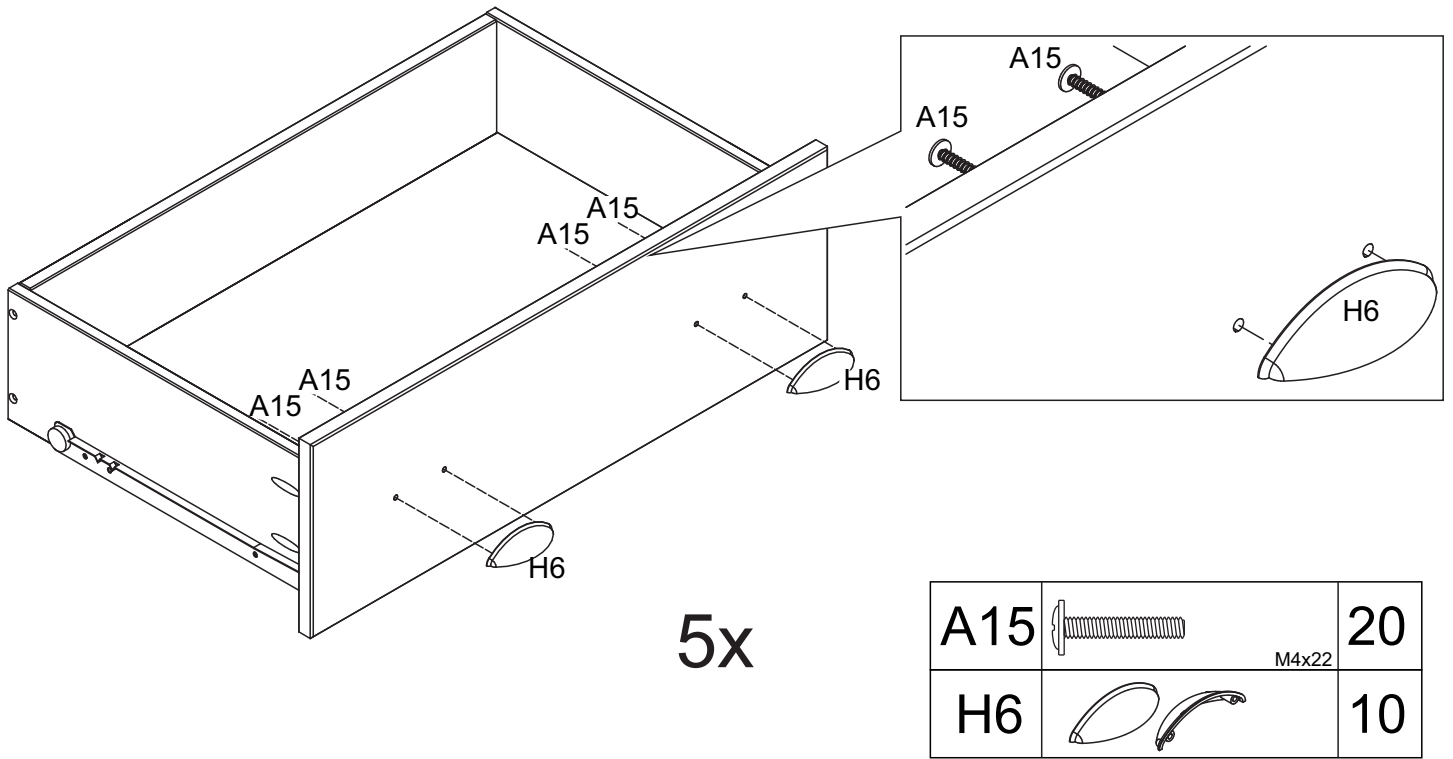
13) FLIP THE ASSEMBLED DRAWER UPSIDE DOWN TO INSTALL GLIDES



B31		20
	6,0x10	
E13		05
	Drawer RIGHT 330mm - 13"	
E14		05
	Drawer LEFT 330mm - 13"	

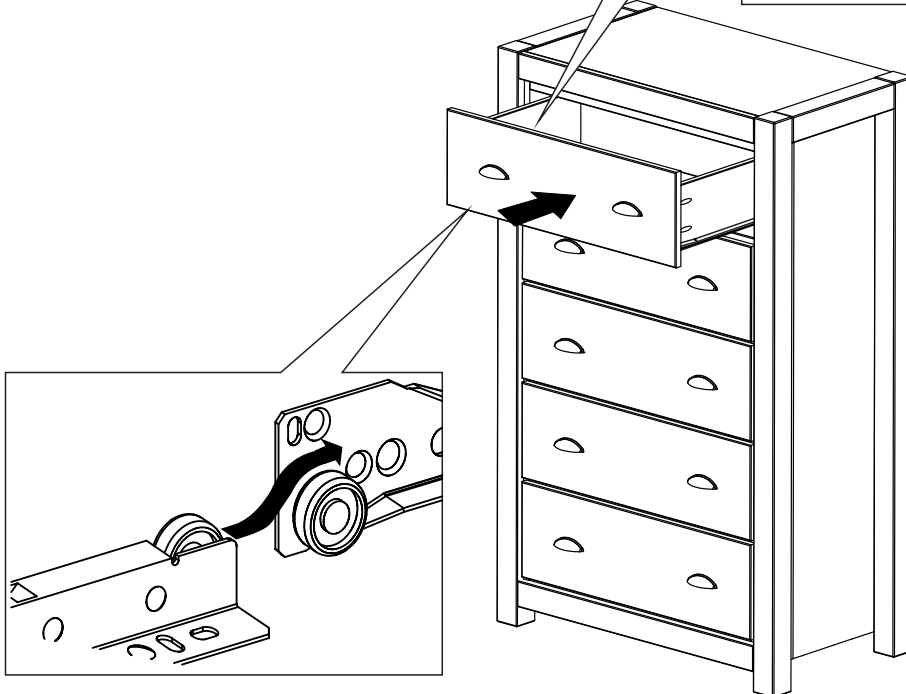
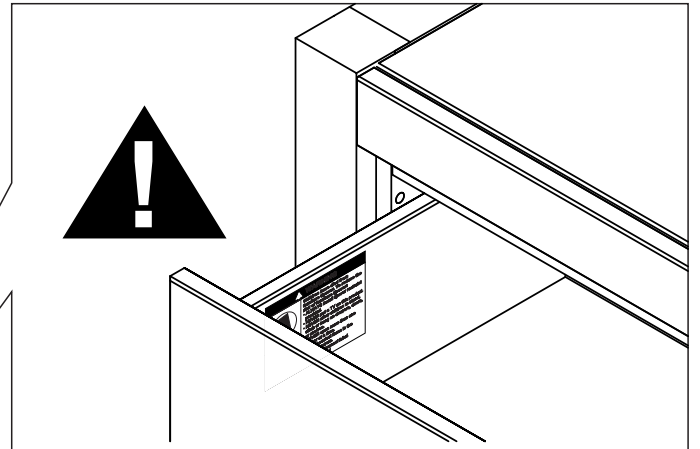
5x

14)

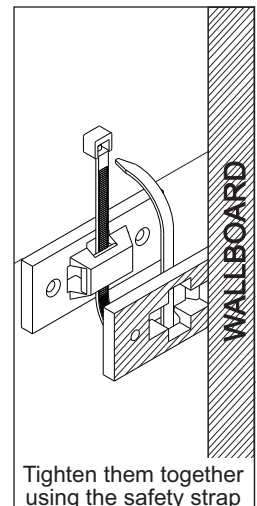
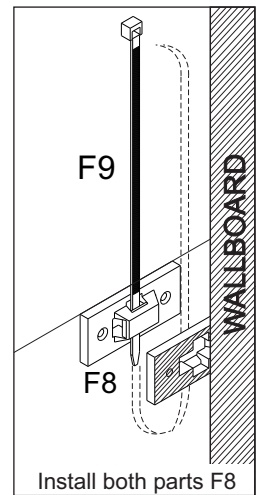
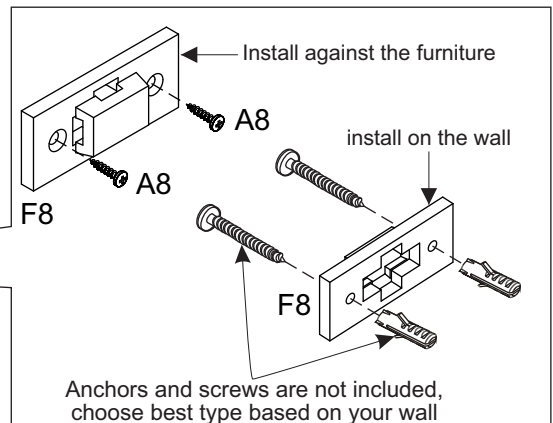
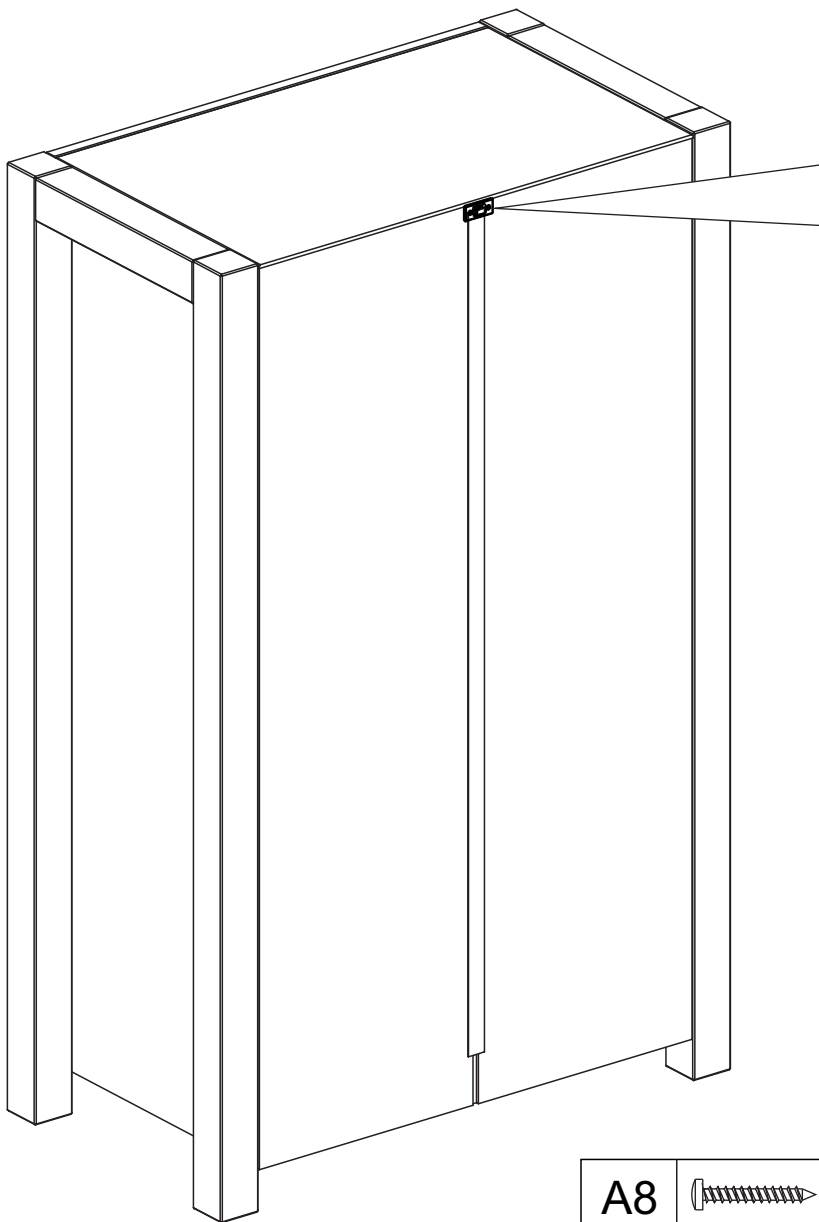
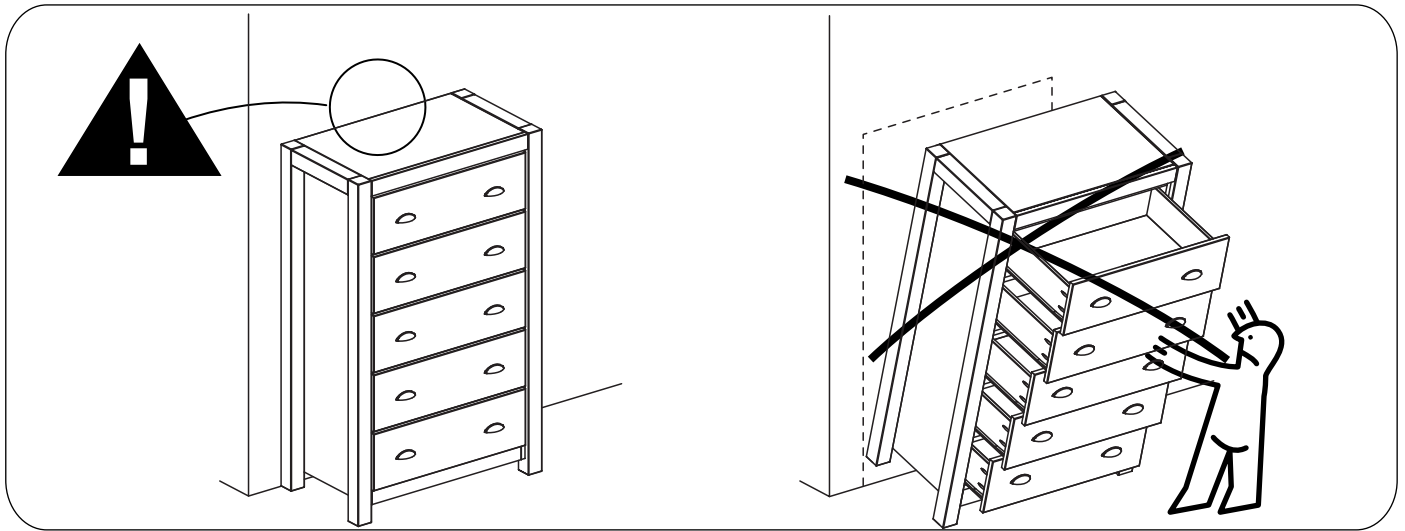



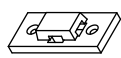

15)

Place the labeled drawer on the top position



# 16) FURNITURE ANTI-TIPPING RESTRAINT KIT



A8		3.0x20	02
F8			02
F9			01