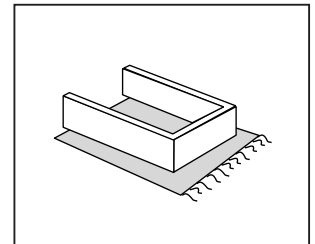
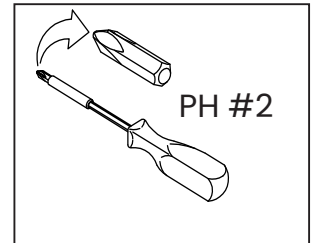
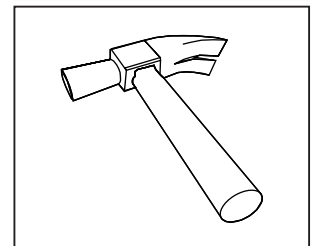
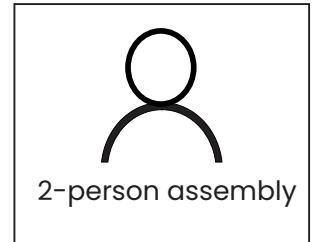
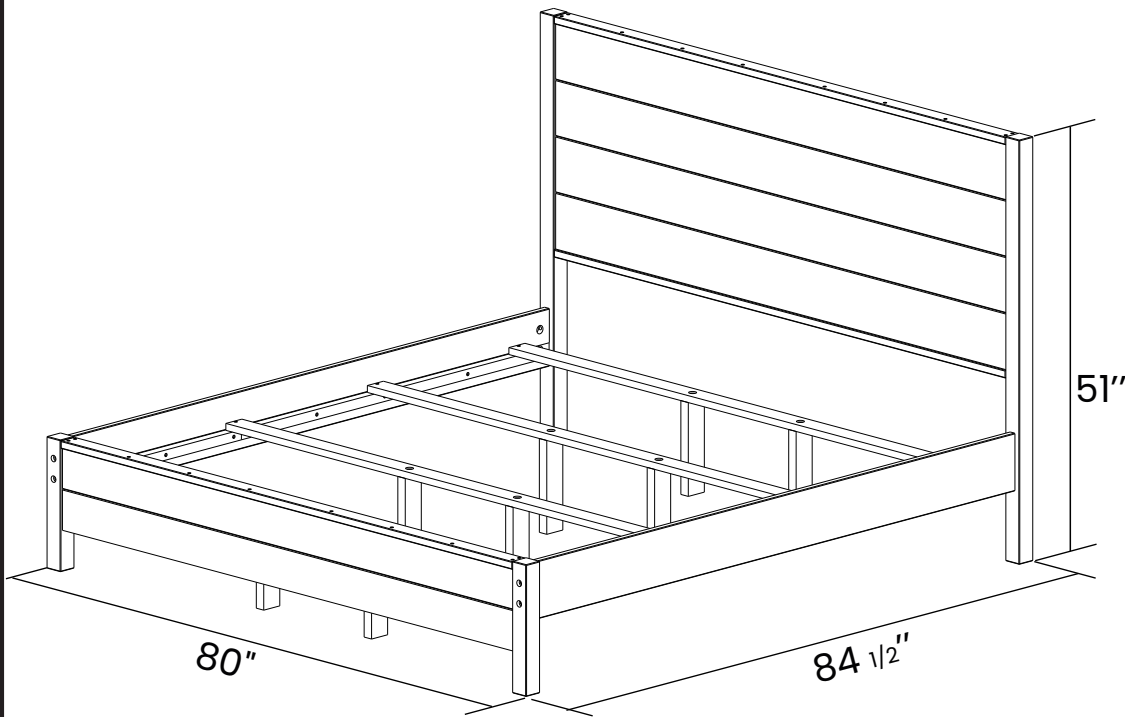


Assembly Instructions



Model #	Finish
MT0611	Rustic Walnut
MT0612	Rustic Off-White
MT0620	Rustic Grey
MT0624	Driftwood

Thank you for choosing Grain Wood Furniture, it is an honor to be in your home!
If you have any questions, feedback, or need replacement parts please contact us at:
grainwoodfurniture.com/help or support@grainwoodfurniture.com

Montauk Collection
King Size Panel Bed

GrainWood
FURNITURE.COM

PLEASE READ BELOW BEFORE BEGINNING ASSEMBLY




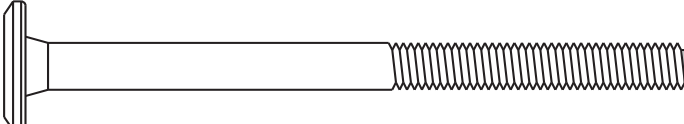
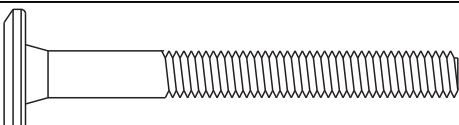
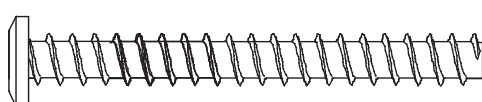


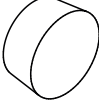
- Enlist help from a friend or family member as most items require two people for proper assembly.
- Choose a spacious, open area near where the piece will be located once assembled. It is easier to move parts than to relocate the furniture after it is fully assembled.
- Do not throw away packaging material until assembly is complete.
- Assemble the item on a soft surface, such as cardboard or an old blanket in order to protect the finish from possible dents or scratches.
- Lay out the parts in order and count them twice. In case any parts are missing or damaged, document the problem with pictures and contact support so we can make it right.
- Solid wood furniture may present imperfections such as wood knots, minor splits or cracks which are a natural aspect of the material. Whenever stability of the furniture is not compromised, we recommend customers perform cosmetic touch-ups with wax crayon fillers sold at all major hardware stores.
- It is best to use the tools provided in the box, such as a hex key, because they may be specially sized for the piece of furniture.
- We do not recommend the use of power drills as they can damage your furniture if not used correctly.
- Use a carpenter's square or hardcover book to check angles when assembling drawers and doors. If they are not at 90 degrees, they will not close properly.
- If you have any problems, we are here to help. Just go to grainwoodfurniture.com/help.
- See grainwoodfurniture.com/care-guide for suggestions that will help your furniture last for years.



grainwoodfurniture.com/assembly-troubleshooting

Enjoy your 100% solid wood furniture!

HARDWARE LIST

A9		3,5x16	10
A14		3,5x35	8
B5		1/4"	8+1
B4		1/4"x90	8+1
B14		1/4"x60	12+1
B17		7,0x60	8+1
C3		10x40	4
G13		4,0	1+1
H17		∅ 20x7	8



ATTENTION

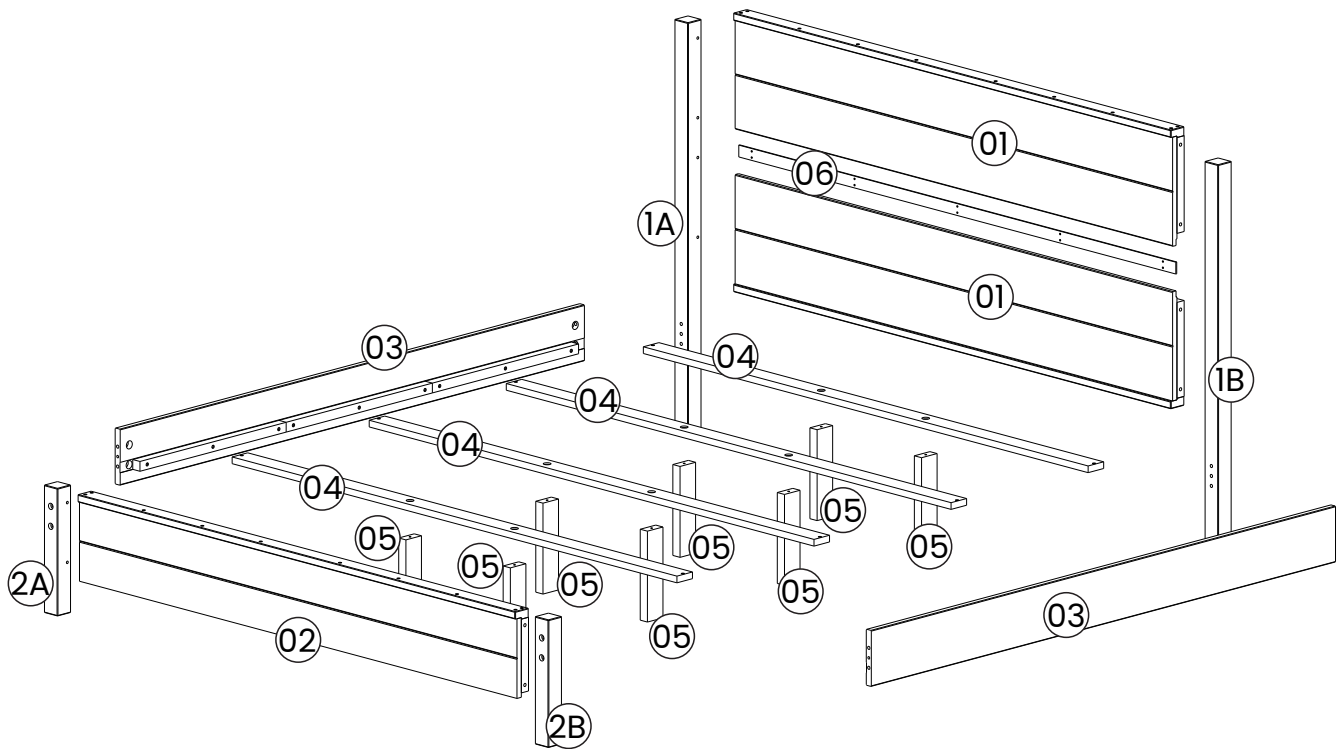
Before starting assembly please verify the hardware set is complete.

For missing hardware please contact us at grainwoodfurniture.com/help

WARNING:

CHOKING HAZARD

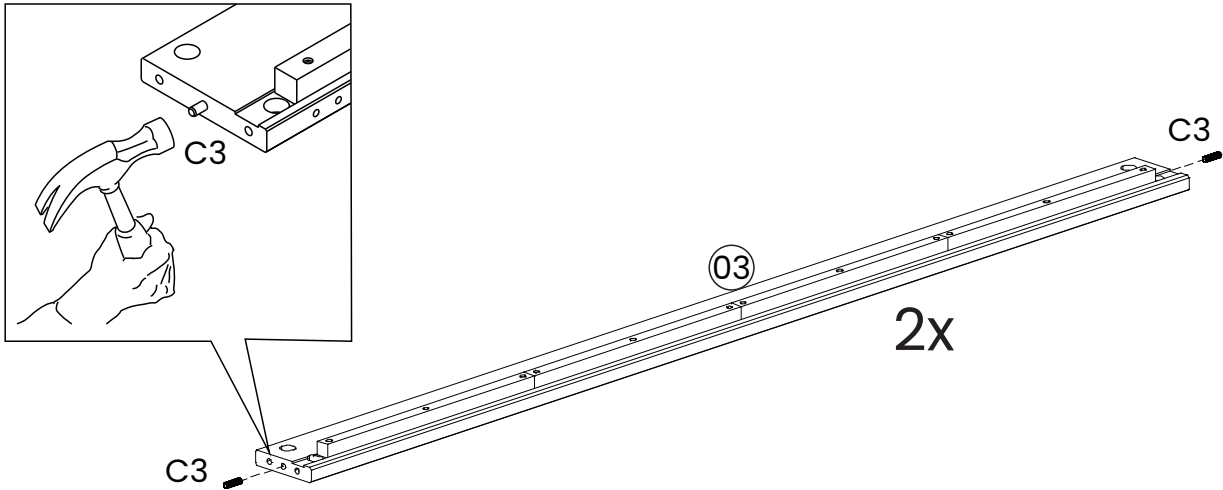
Small parts, not for children.
To be assembled by an adult.




BOX 1		
Part #	Description	Qty.
01	Headboard panel	2
1A	Left headBoard post	1
1B	Right headboard post	1
02	Footboard panel	1
2A	Left footboard post	1
2B	Right footboard post	1
06	Cover strip	1

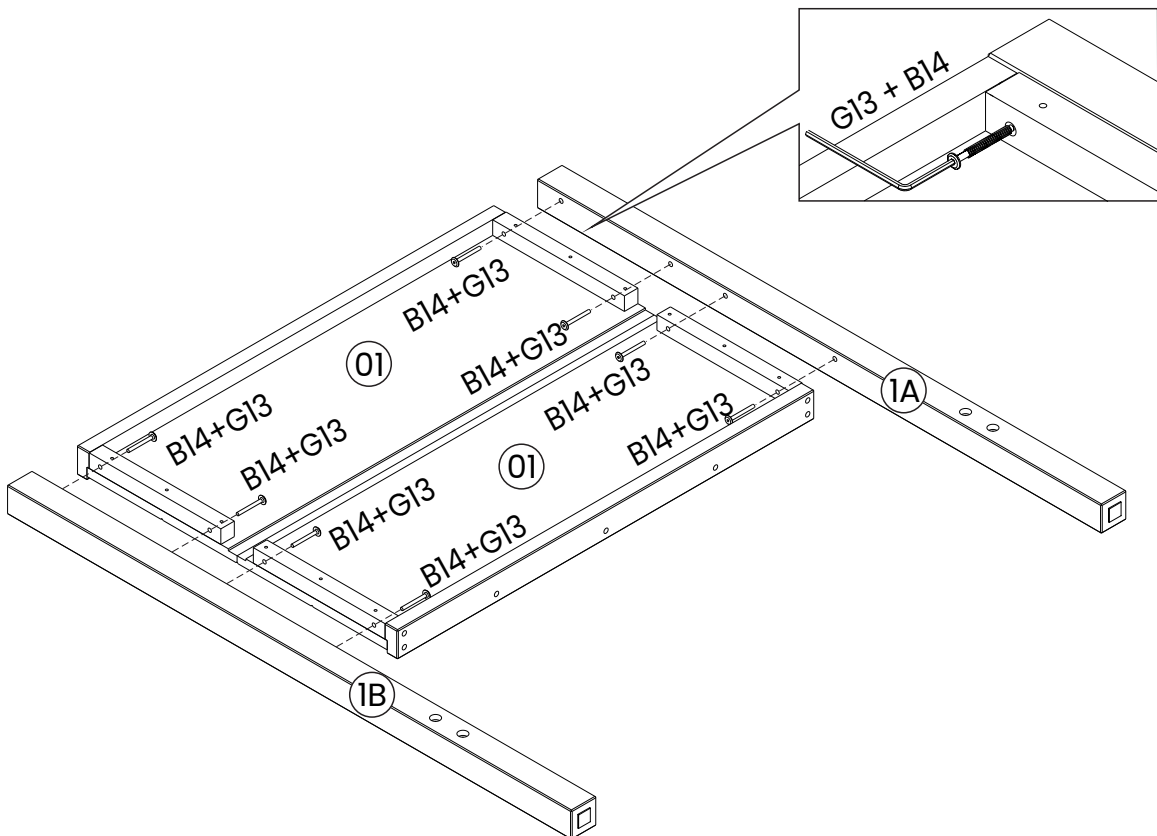
BOX 2		
Part #	Description	Qty.
03	Side rails	2
04	Slats	4
05	Center legs	8
HW	Hardware	1


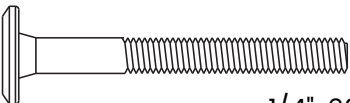
1) Tip: Use a hammer in case dowels are hard to install by hand.



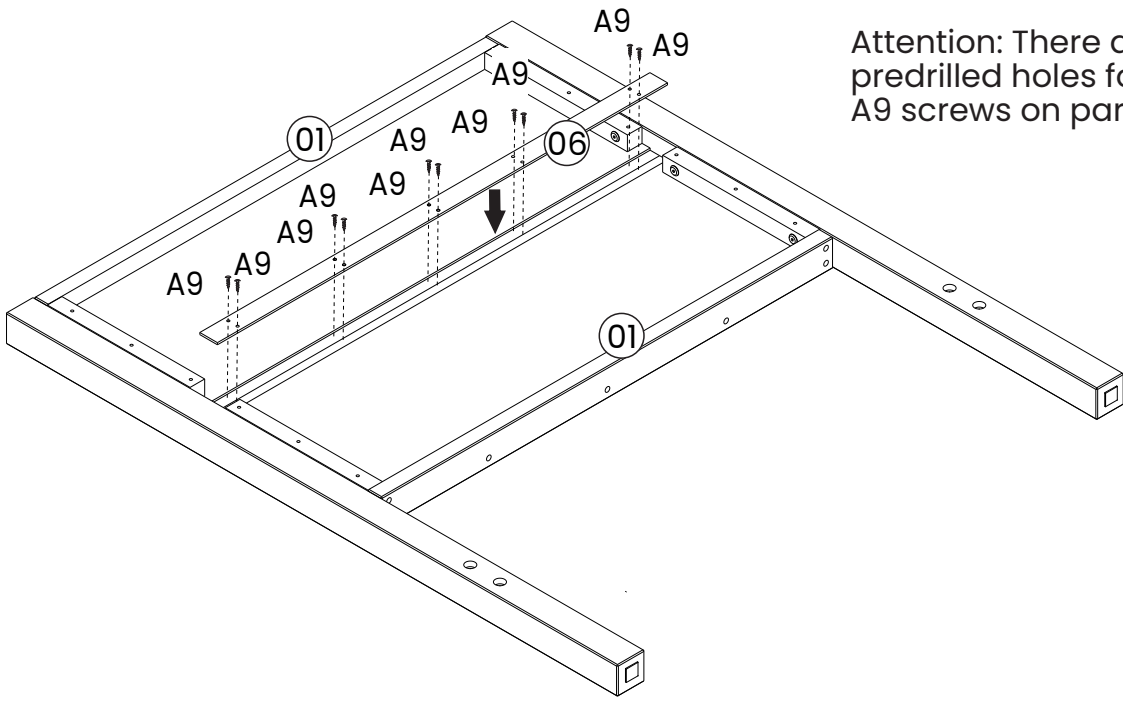
C3		10x40	4
----	--	-------	---

2)




G13		4,0	1
B14		1/4"x60	8

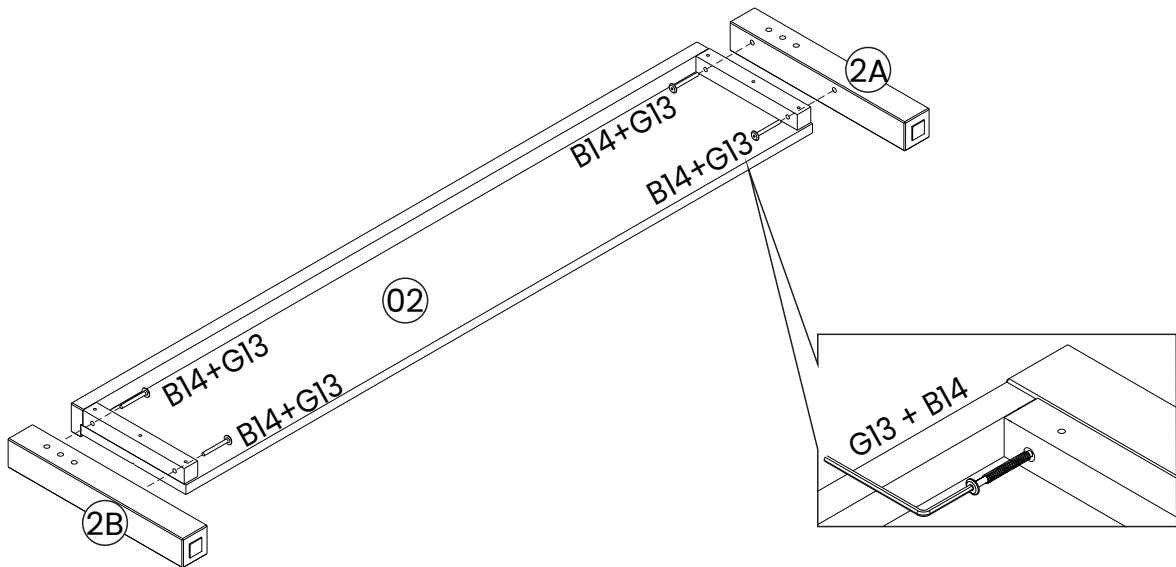
3)


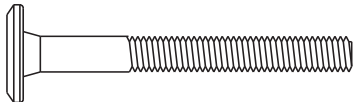


Attention: There are no predrilled holes for the A9 screws on part 01.

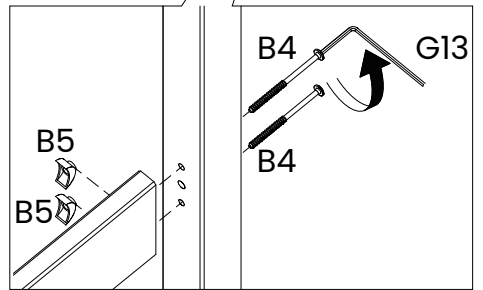
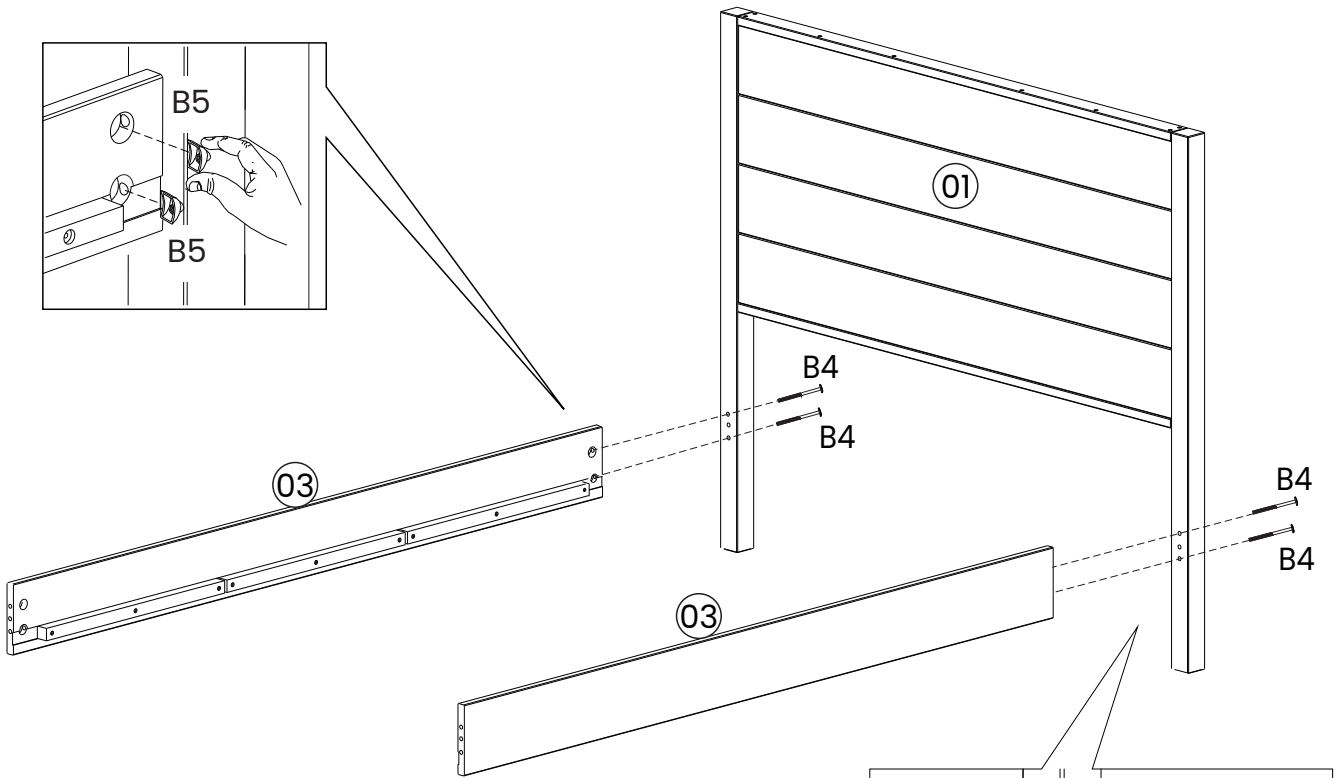
A9	 3,5x16	10
----	---	----

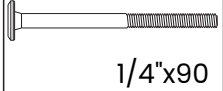


4)



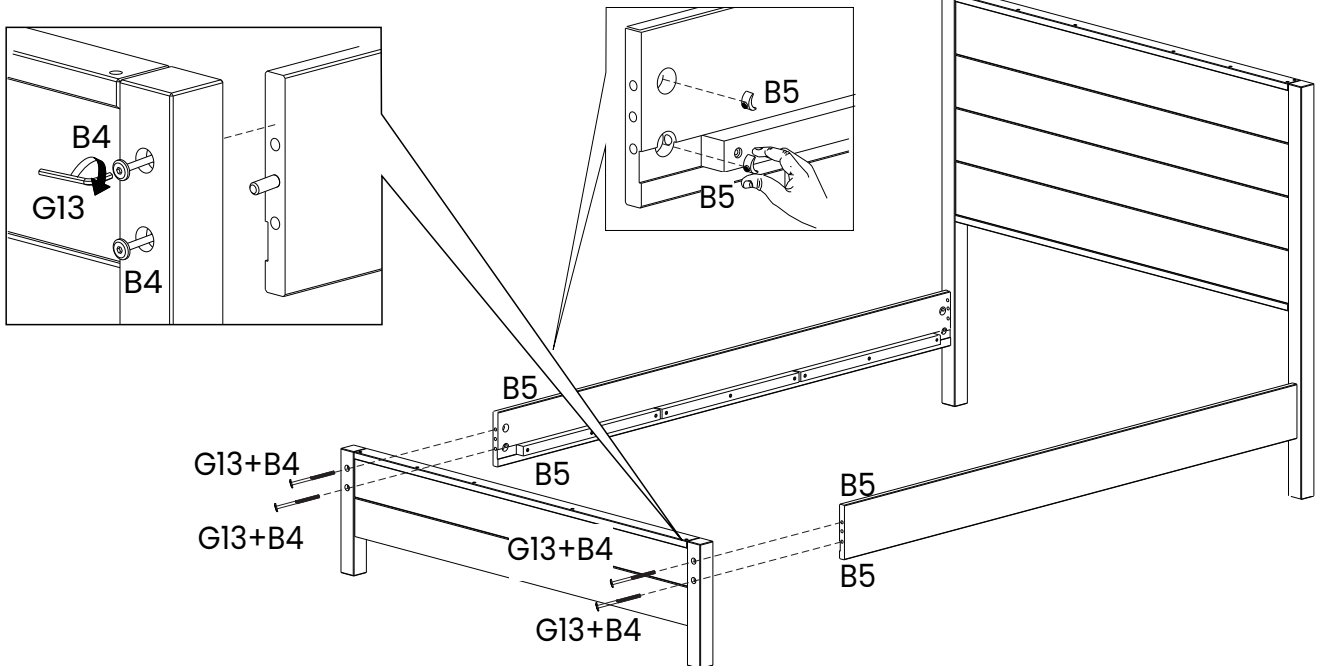
G13	 4,0	1
B14	 1/4"x60	4

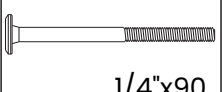

5)

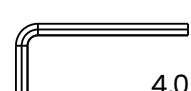


B4	 1/4"x90	4
B5	 1/4"	4
G13	 4,0	1

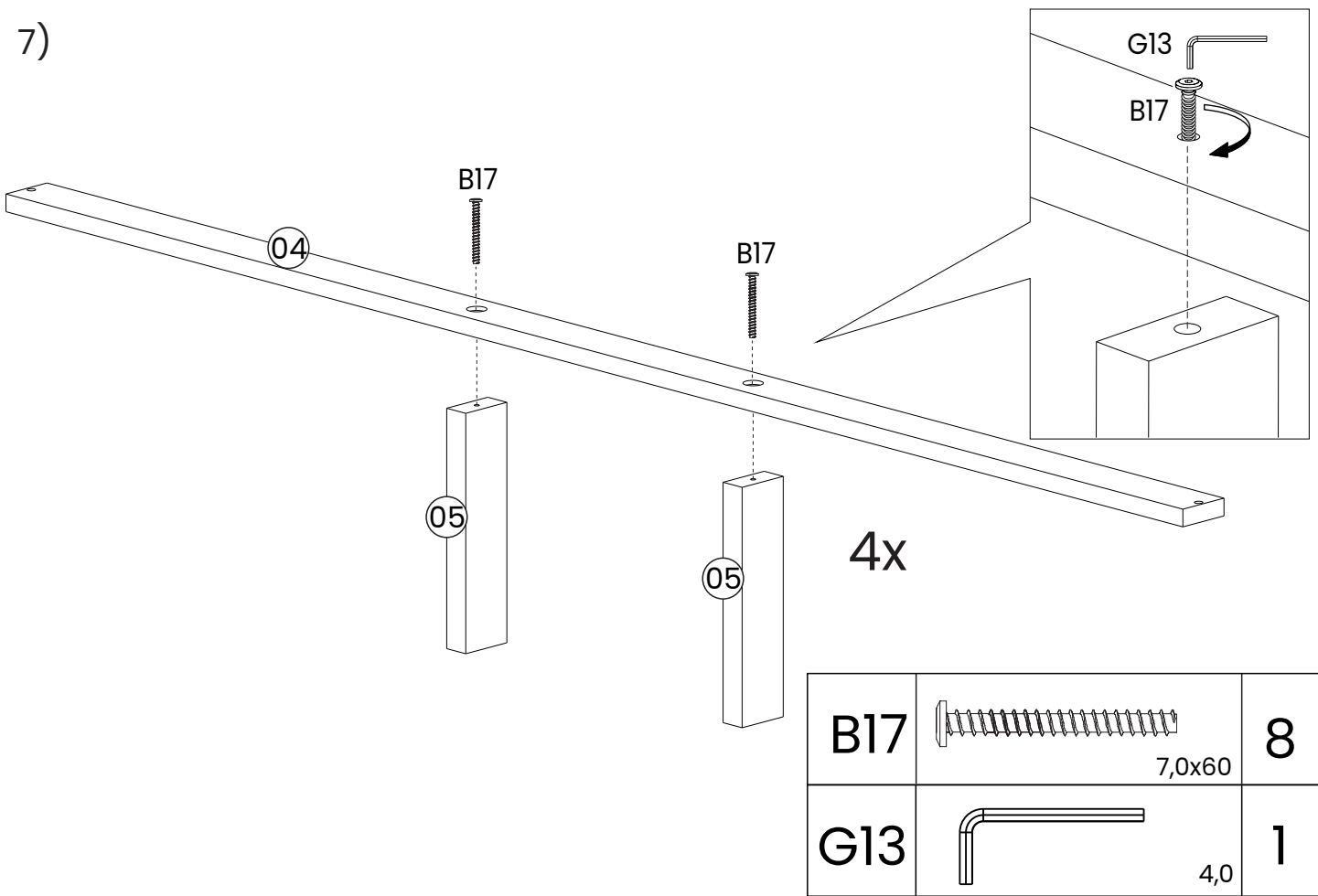
6)



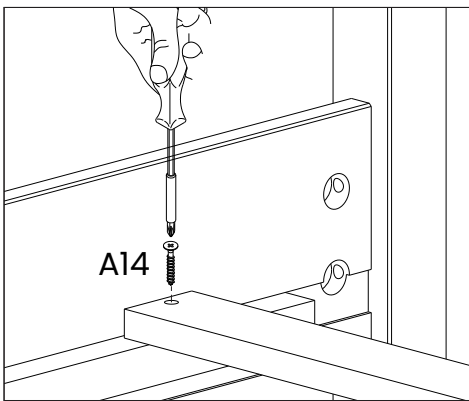
B4	 1/4"x90	4
B5	 1/4"	4

G13	 4,0	1
-----	--	---

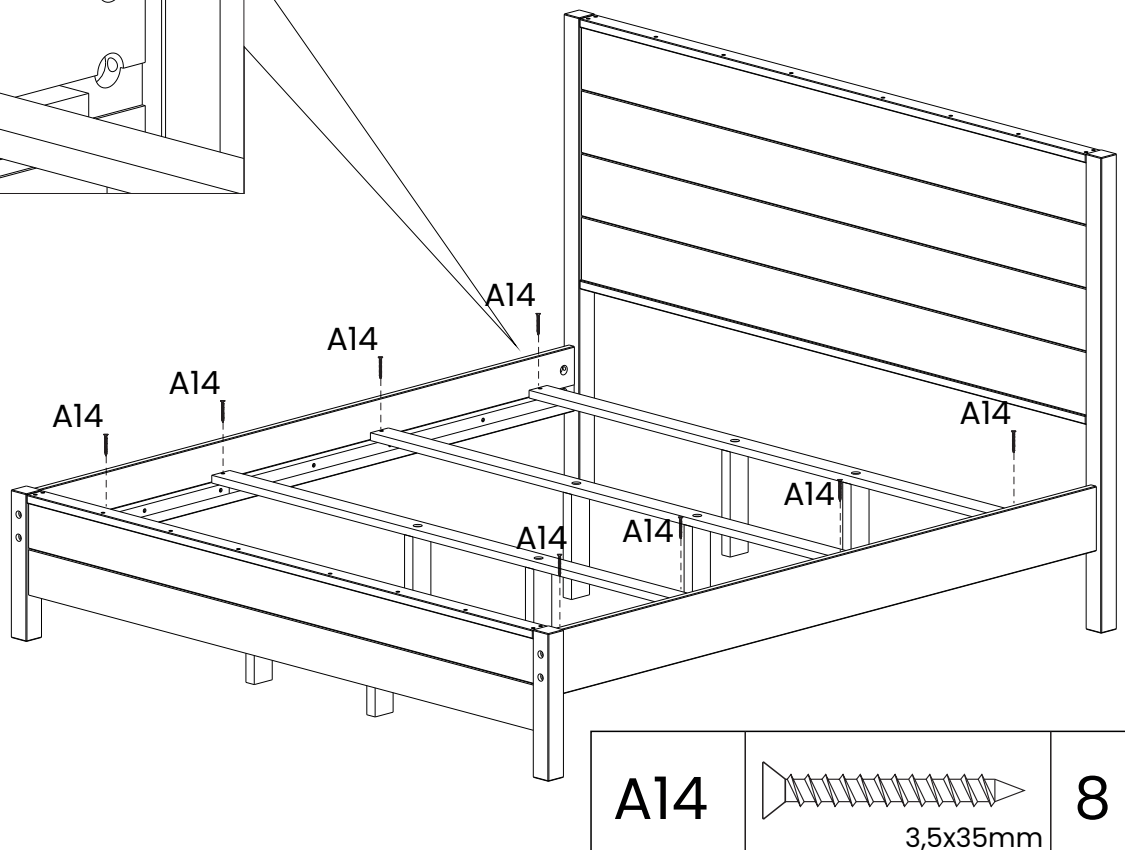
7)



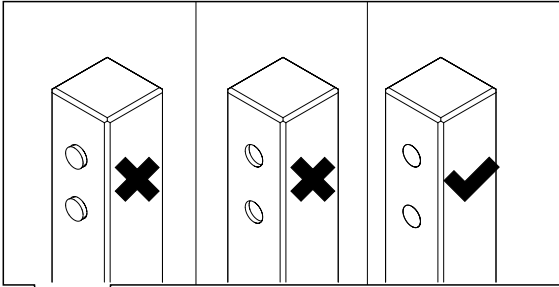
8)



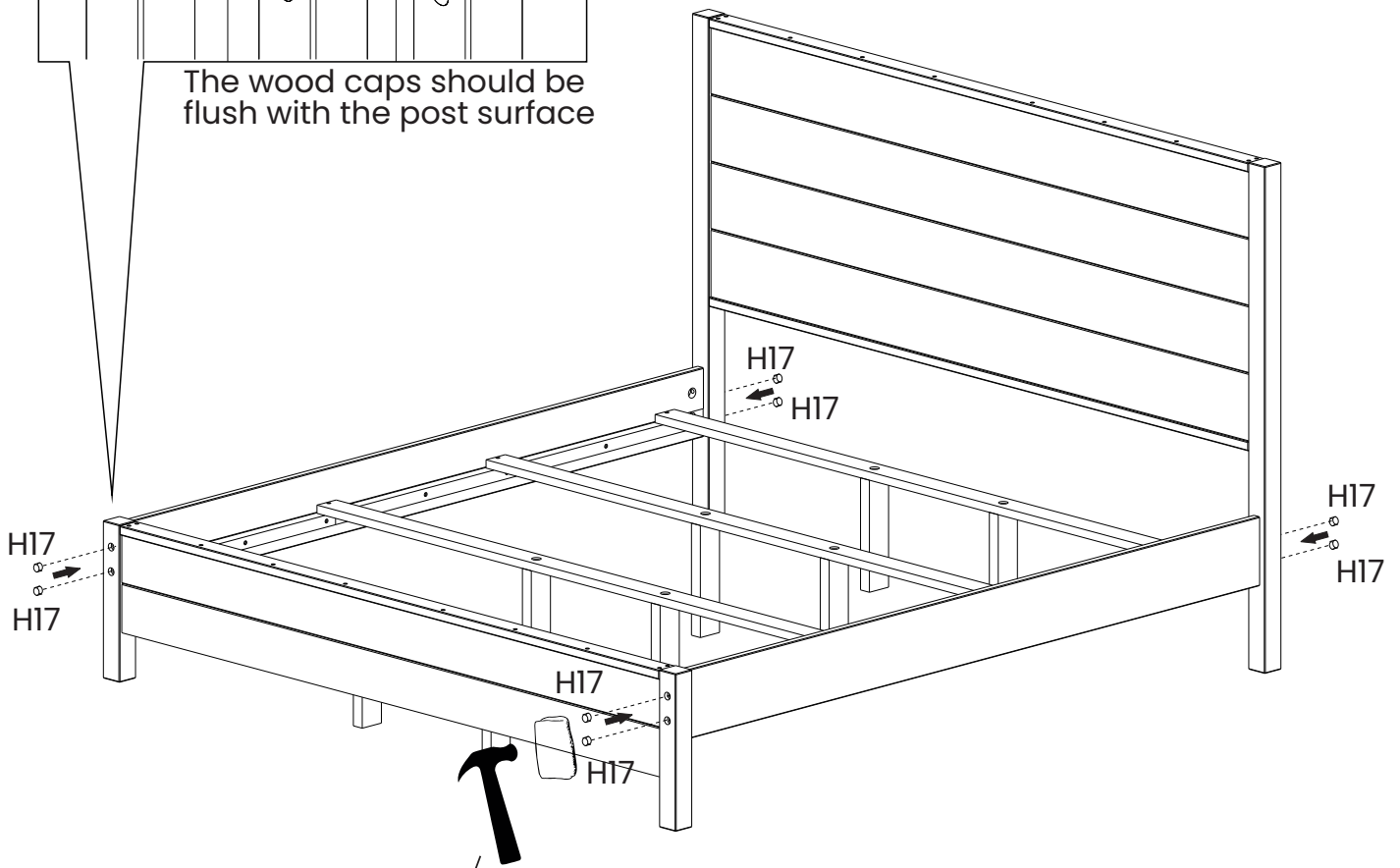
Attention: There are no predrilled holes for the A14 screws on part 03.



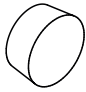
9)



The wood caps should be flush with the post surface



TIP: Use a Rubber Mallet or a piece of wood to protect the finish when hammering the wood cap

H17		8
	Ø 20x7	