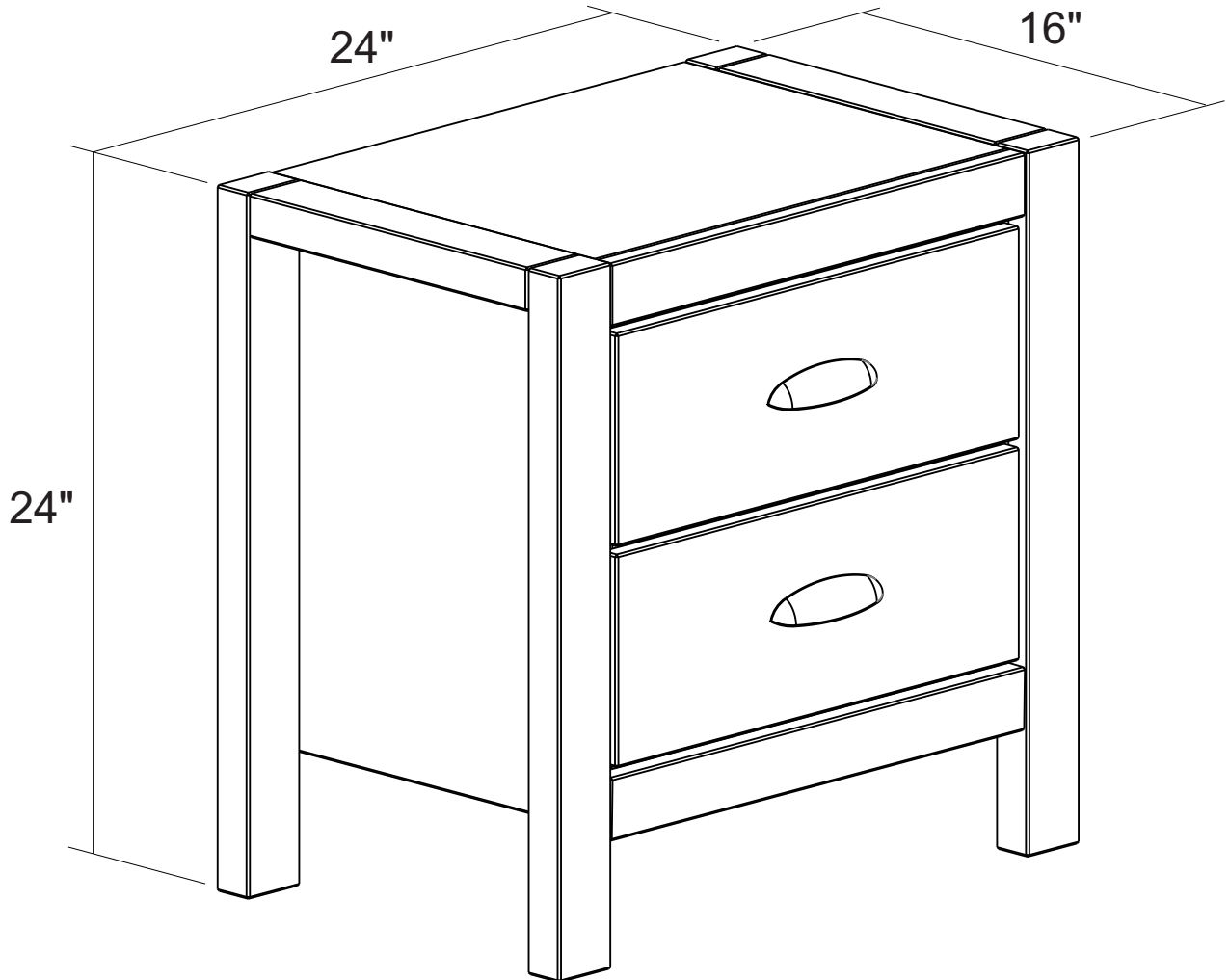


# MONTAUK Collection

## Assembly Instructions

### 2 Drawer Nightstand



Thank you for purchasing our furniture, it's an honor to be in your home!

Every effort has been made to ensure your Wood Furniture is of the finest quality. If you have any questions or need any replacement parts, please do not hesitate to contact us at [www.grainwoodfurniture.com](http://www.grainwoodfurniture.com).



[www.grainwoodfurniture.com](http://www.grainwoodfurniture.com)

				<b>Model #</b>	<b>Finish</b>
				MT0411	Rustic Walnut
				MT0412	Rustic Off-White
				MT0420	Rustic Grey
				MT0424	Driftwood
				MT0488	Barnwood

## PLEASE READ BELOW BEFORE BEGINNING YOUR ASSEMBLY

Here are some tips on assembling your flat-pack furniture in order to minimize your assembly time and frustrations:

- Do Not throw away packaging material until assembly is complete.
- Assemble the item on a soft surface, such as cardboard or old blanket, to protect finish from possible dents or scratches.
- Choose a spacious, open area near where the piece will be located. It is easier to move parts than to relocate the furniture after it is fully assembled, depending on its size and weight.
- Organize everything and count it twice. If you organize the items by parts, you'll find it much easier to grab each piece as you build.
- Real Wood furniture may present imperfections such as wood knots, minor splits or cracks that are part of the natural aspect of the material. In few cases, also can be caused by variations of air moisture and temperature. Whenever stability of the piece of furniture is not compromised we recommend customers to perform cosmetic touch-ups by wax crayon fillers sold at all major hardware stores.
- It is best to use any tools the kit provides, such as a hex key, because they may be specially sized for that piece of furniture. We do not recommend the use of power drill, it can damage your furniture if not used correctly.
- Read the entire list of instructions, arranging your parts in order of use as you go.
- Finally, Enlist a help from friends and family since proper assembly of most items require 2 people.

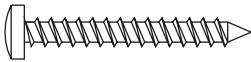
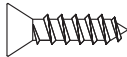

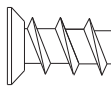
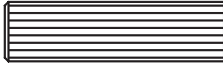
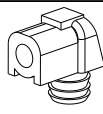

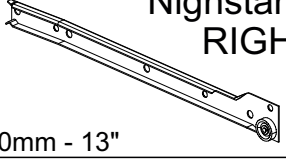
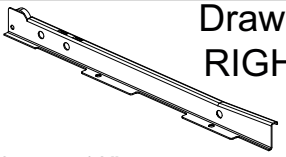
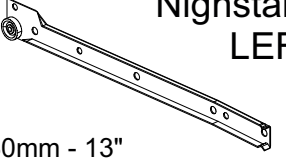
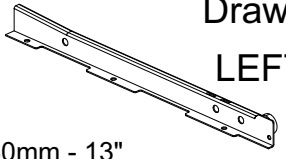

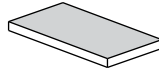

### **Wood Furniture Care:**

- *Clean with a cloth dampened with water or furniture polish following the pattern of the grain.*
- *Do NOT use solvents such as alcohol for cleaning.*
- *Avoid placing under direct sun light, to prevent UV damage.*
- *Avoid positioning very close to heaters or AC vents.*
- *Hot pads should always be used when placing warm serving dishes on your furniture.*
- *Very hot items such as a sauce pan or baking dish should never be placed on a tabletop, even with a hot pad.*
- *Place mats will help to protect the finish from dishes and silverware, and coasters will help protect your furniture from moisture.*

Enjoy your Real Wood Furniture!



# HARDWARE LIST

A1	 4,0x30	28 + 1
A5	 3,5x16	2 + 1
A15	 M4x22	04 + 1
B31	 6,0x10	16 + 1
C1	 8,0x30	30 + 1
D21		04
D34		01
E13	 Nighstand RIGHT 330mm - 13"	02
E13	 Drawer RIGHT 330mm - 13"	02
E14	 Nighstand LEFT 330mm - 13"	02
E14	 Drawer LEFT 330mm - 13"	02
G1	 10x10	14
G11		04
H6	 Pz04	02

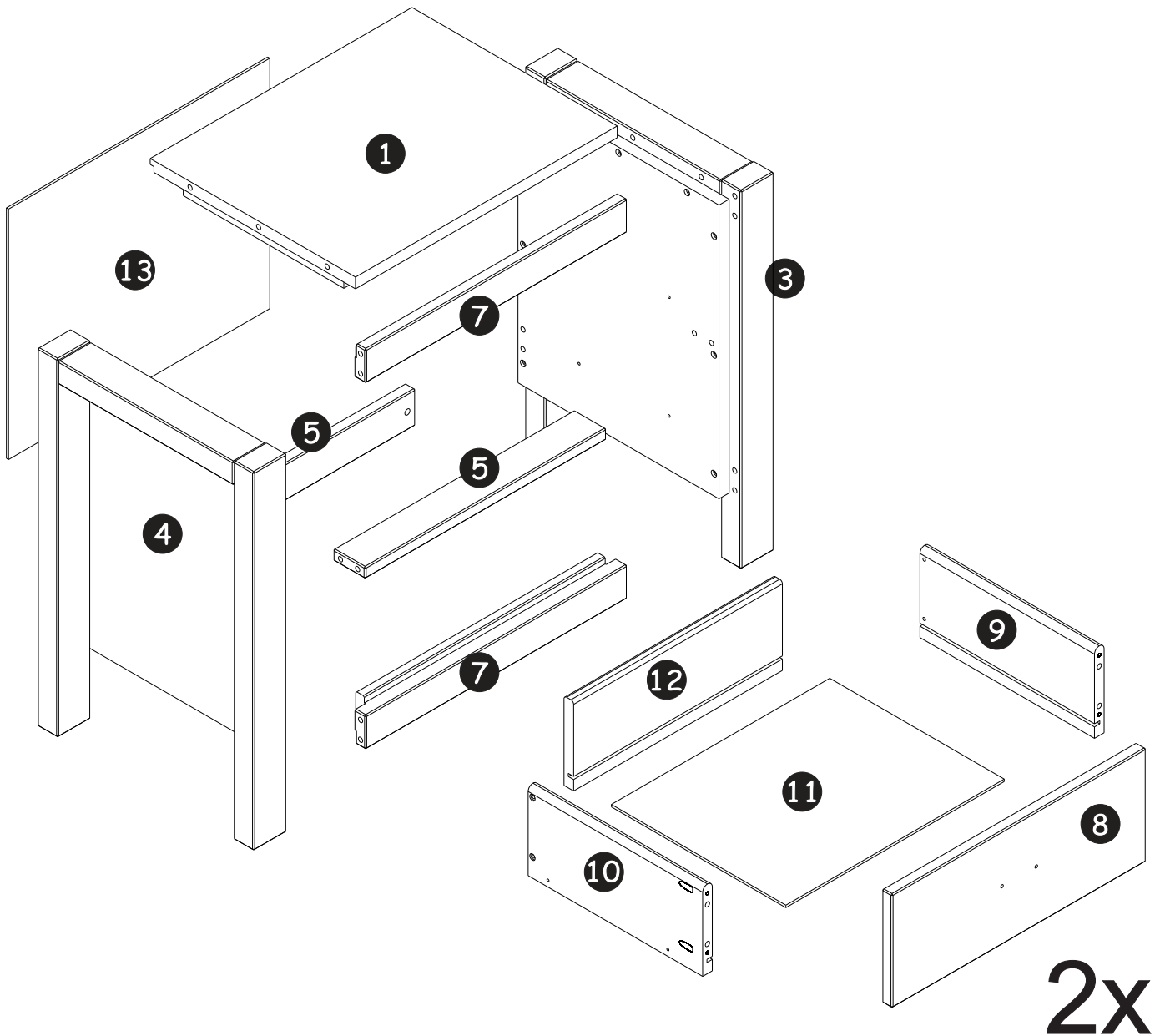
## ATTENTION

Before starting assembly please verify if the hardware set is complete.

For missing hardware please contact us at [www.grainwoodfurniture.com](http://www.grainwoodfurniture.com)

### WARNING: CHOKING HAZARD

- Small Parts, not for Children.  
To be Assembled by an Adult.

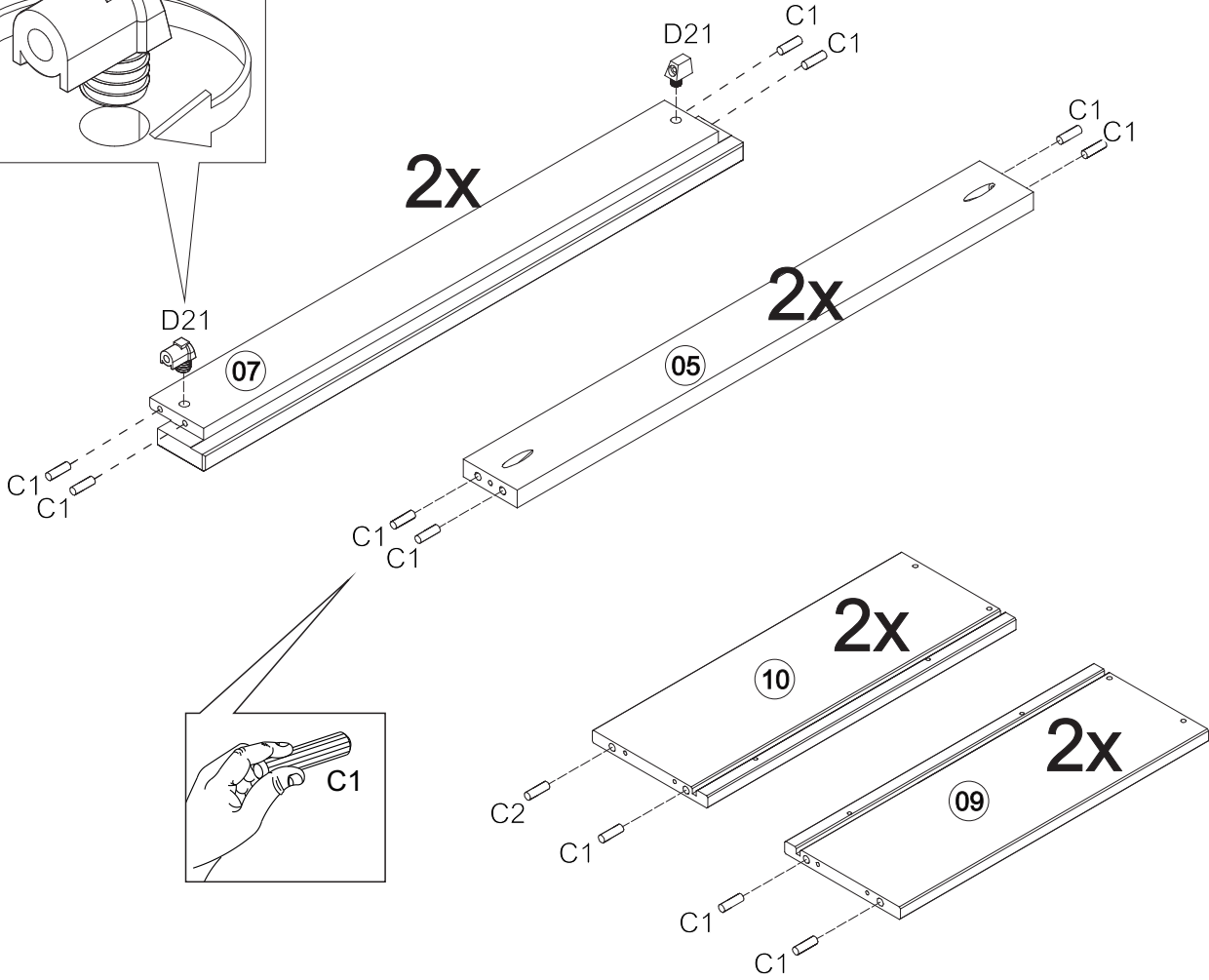
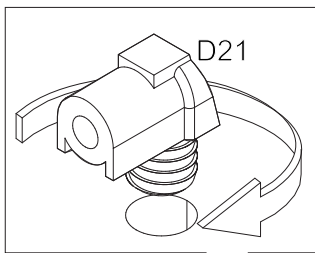
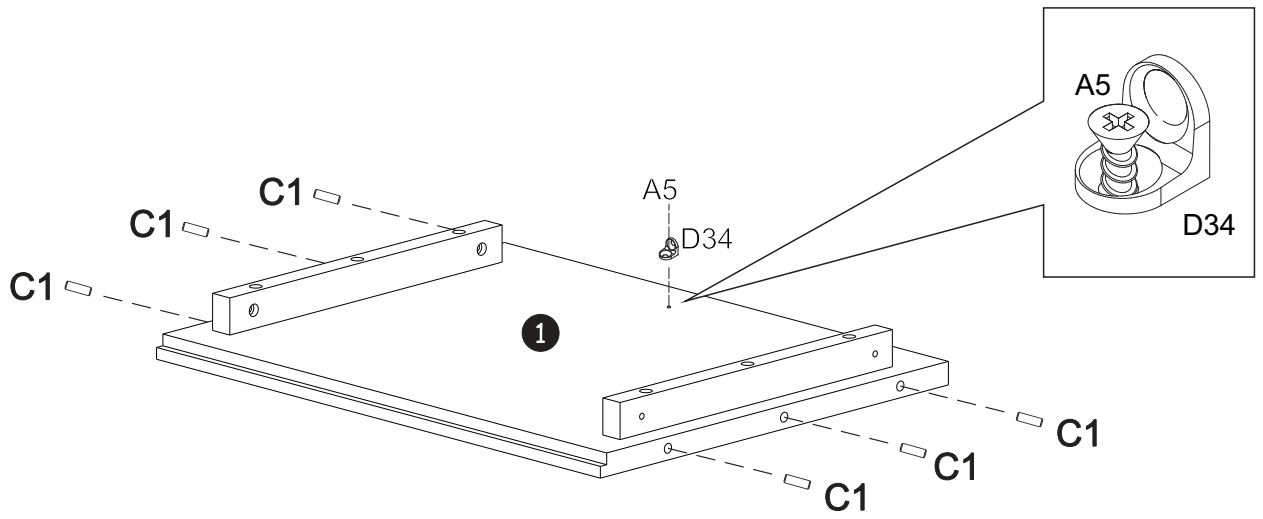


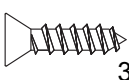



## Parts List

### Box 1

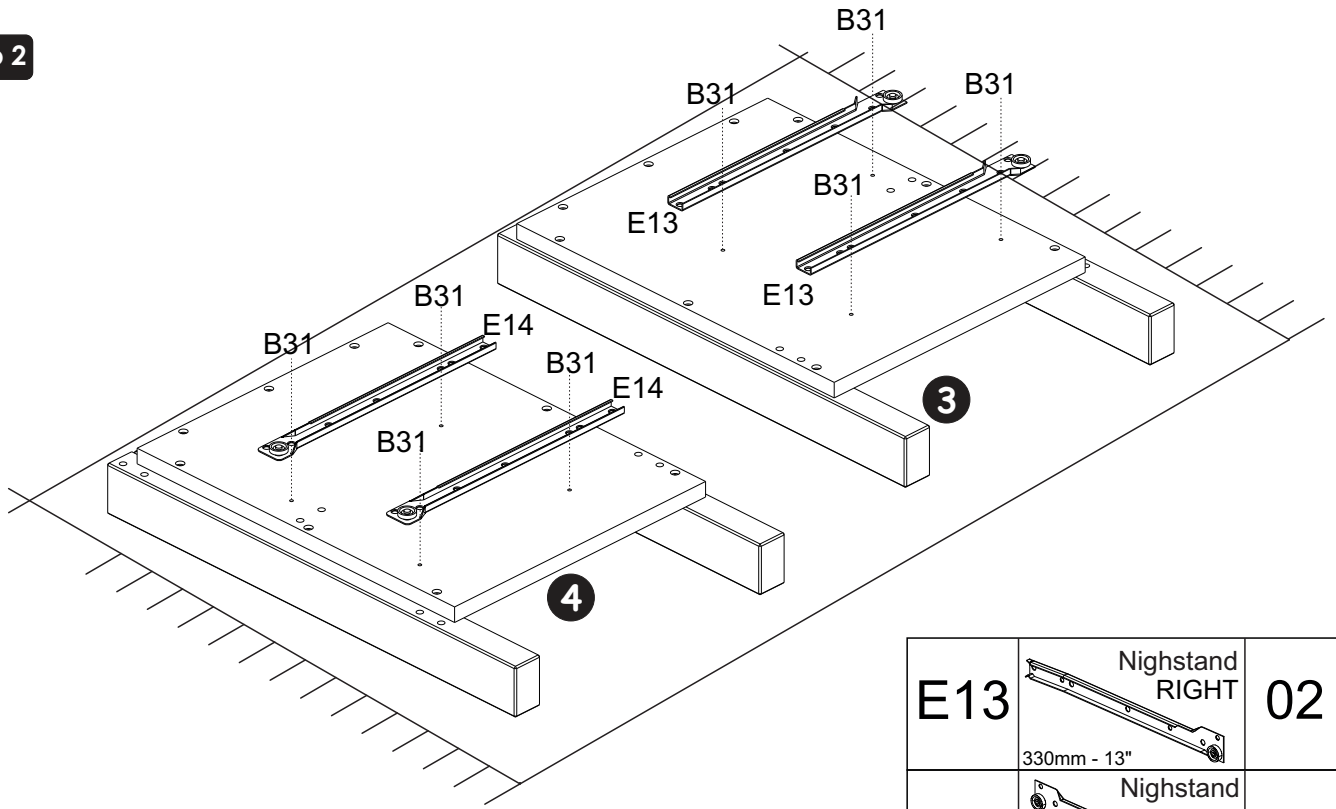
Part #	Description	Qty
01	Top	01
03	Right Side	01
04	Left Side	01
05	Internal Crosspiece	02
07	Upper / Lower Crosspiece	02
08	Drawer Front	02
09	Drawer Right Side	02
10	Drawer Left Side	02
11	Drawer Bottom	02
12	Drawer Back	02
13	Back Panel	01



**Step 1**



A5	 3,5x16	01						
C1	 8,0x30	30	D21		04	D34		01

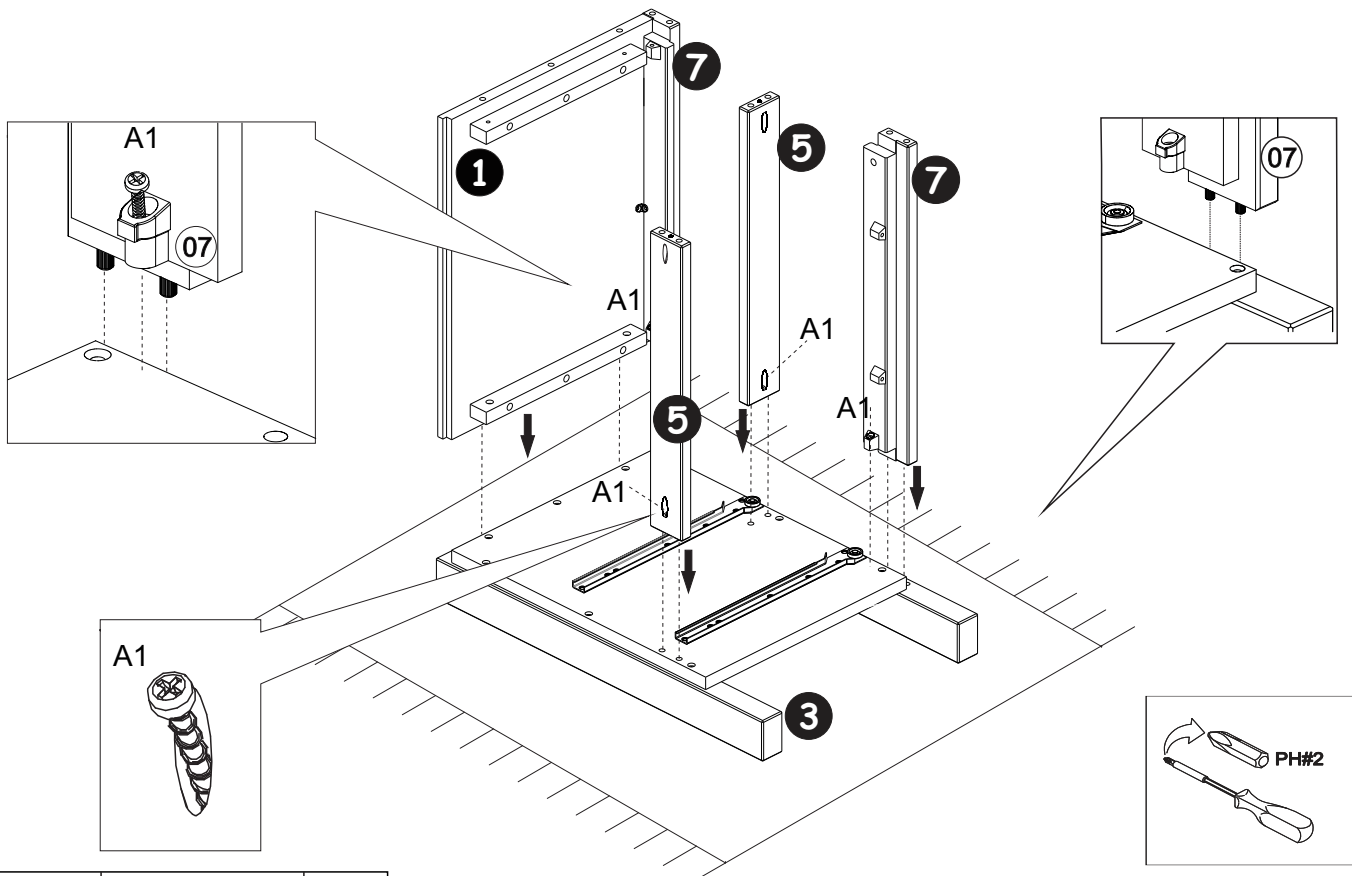
**Step 2**

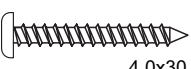


E13		Nighstand RIGHT	02
330mm - 13"			
E14		Nighstand LEFT	02
330mm - 13"			

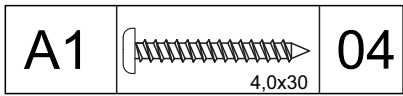
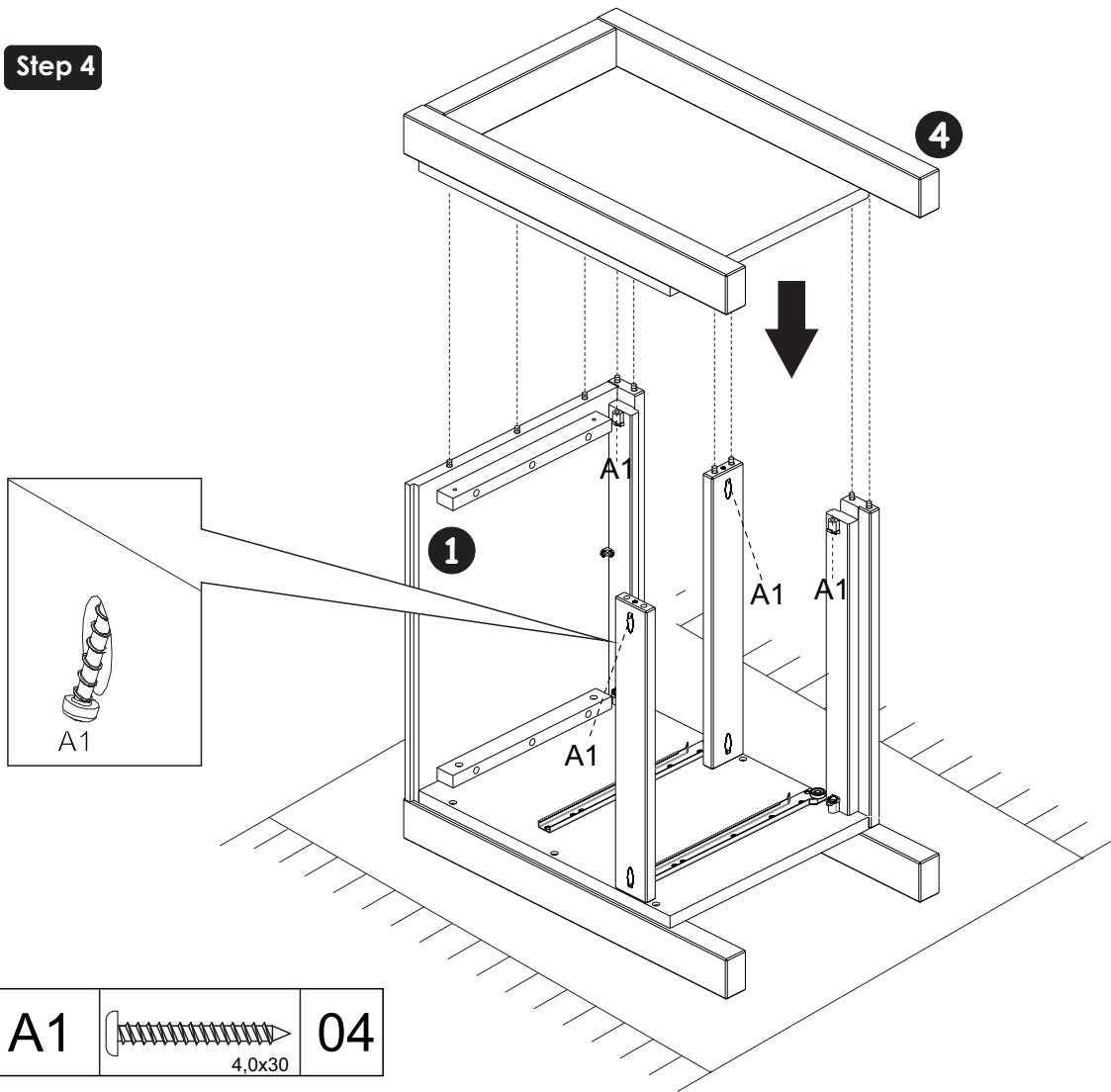
B31		08
6,0x10		

**Step 3**

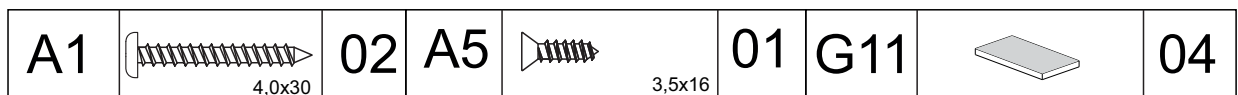
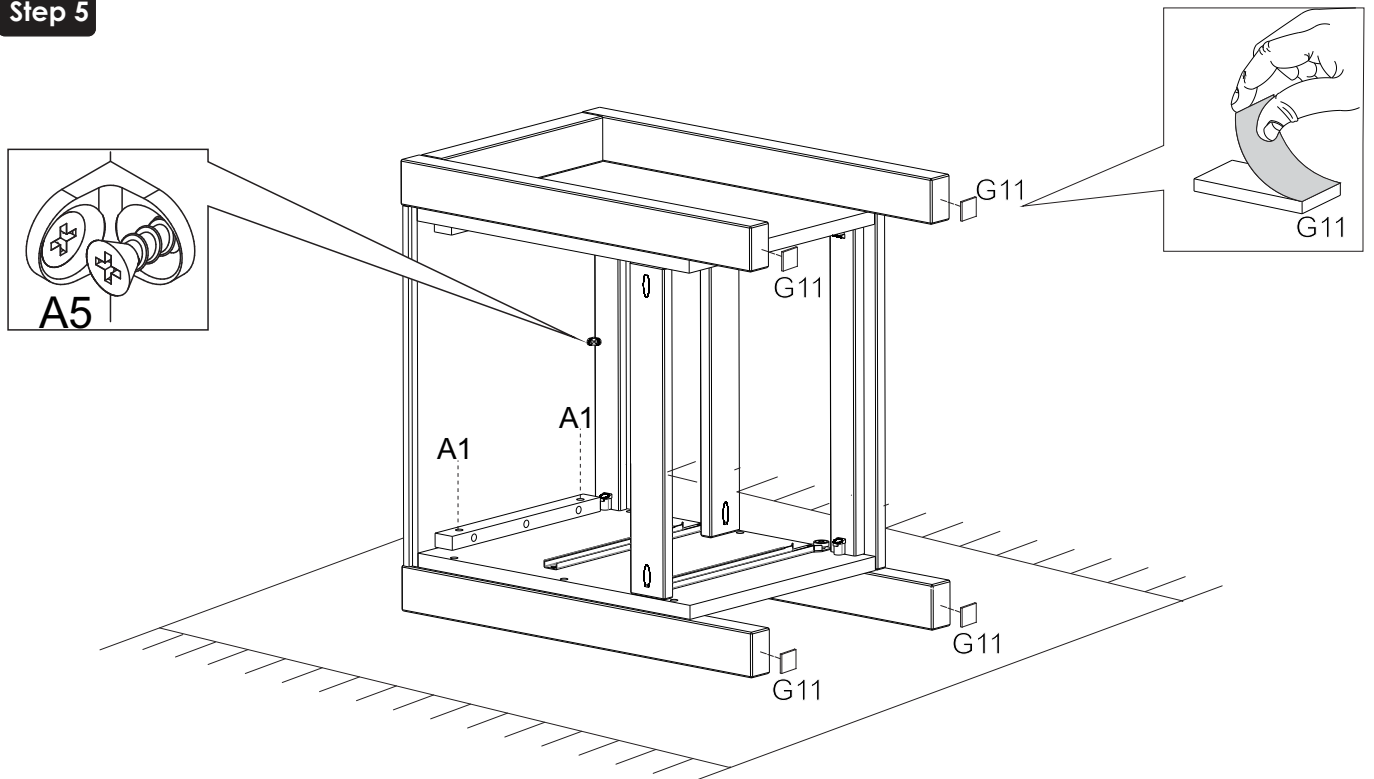


A1		04
4,0x30		

**Step 4**

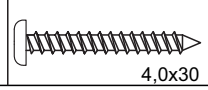


**Step 5**

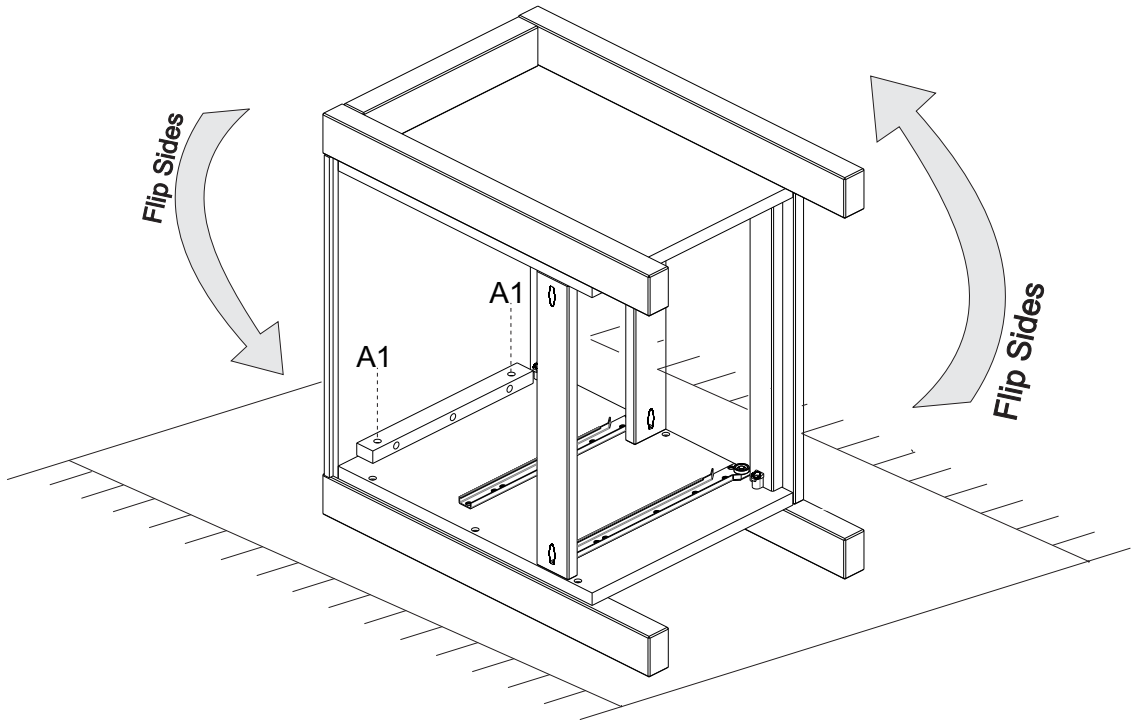


Step 6

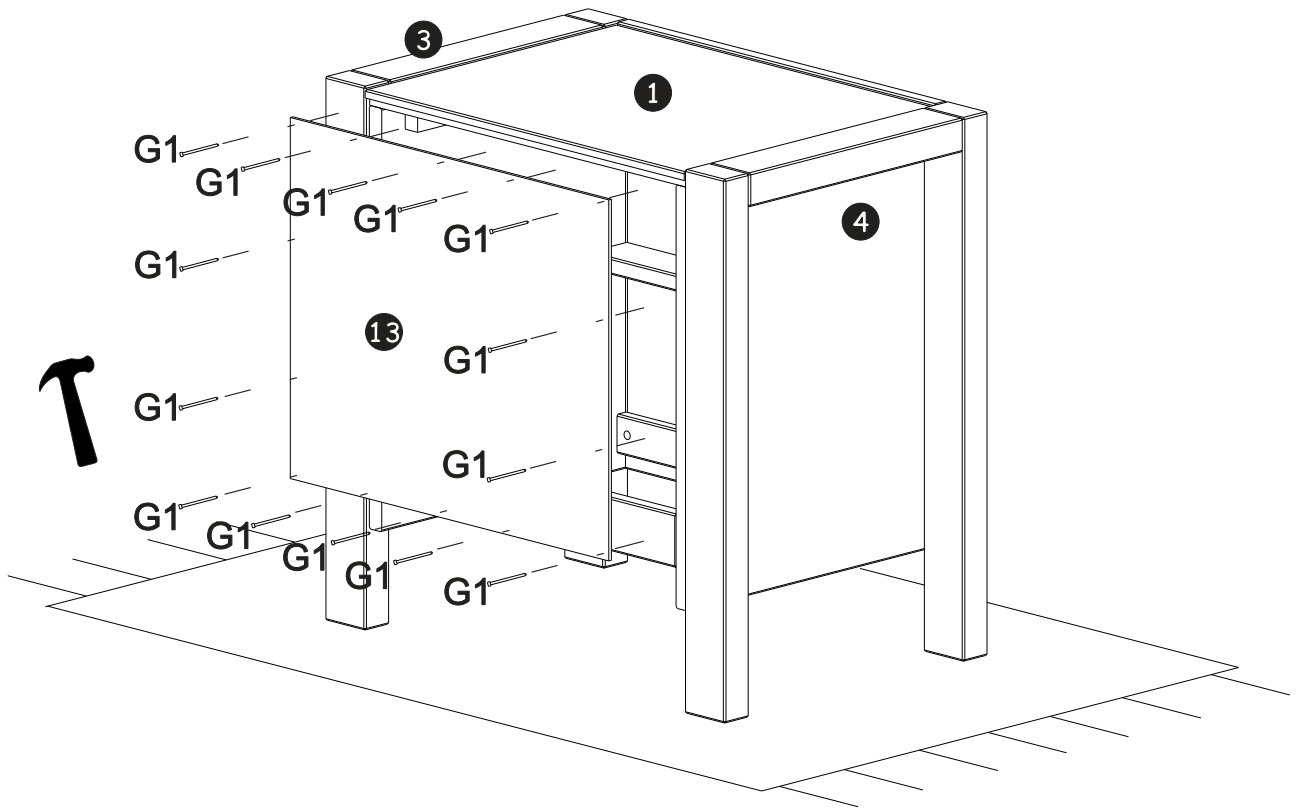
A1



02



Step 7



G1



10x10

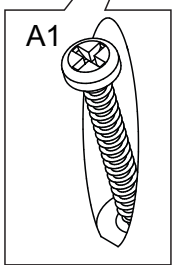
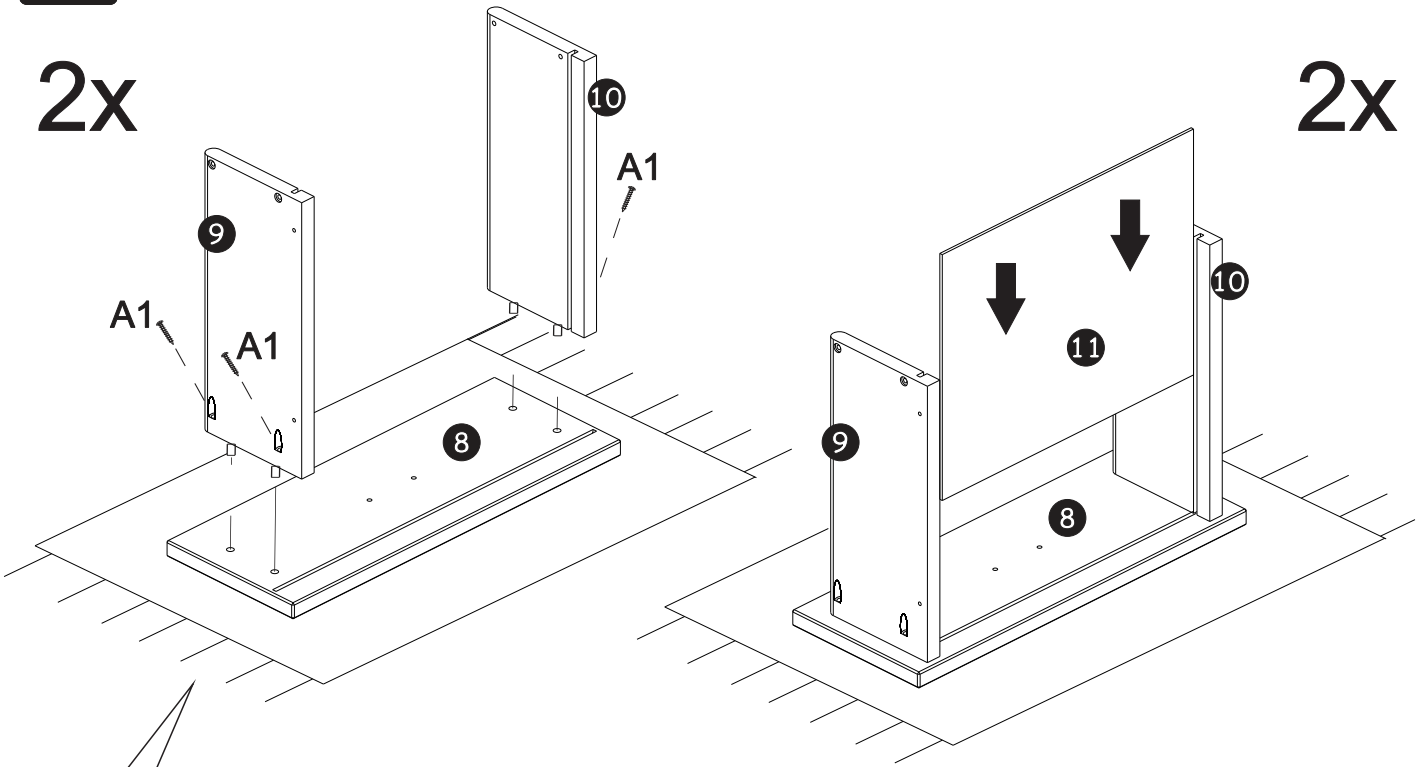
14

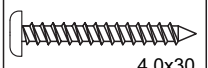


Step 8

2x

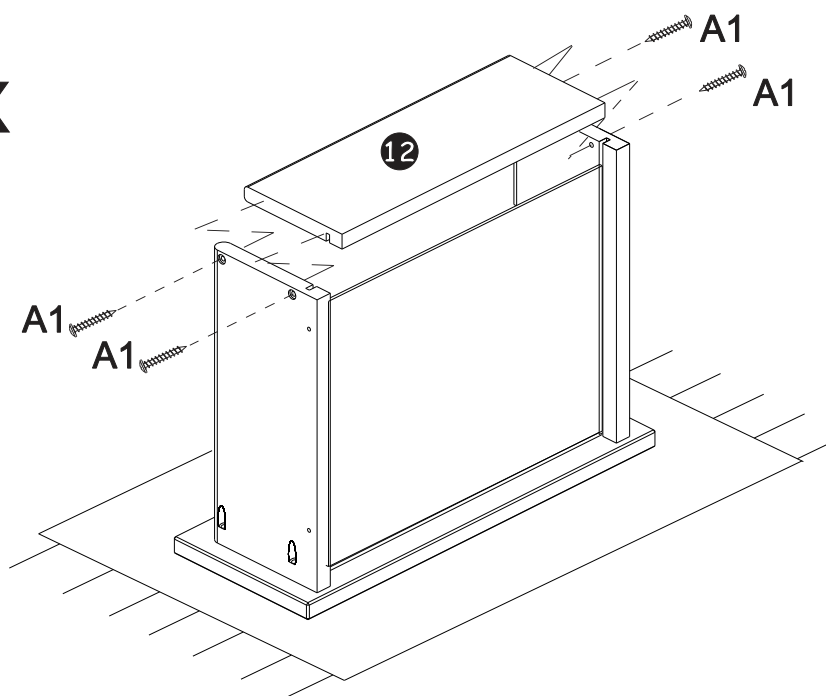
2x




A1		08
----	---	----

Step 9

2x



A1		08
----	---	----

Step 10

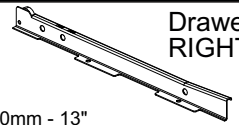
B31



6,0x10

08

E13

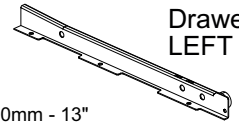


Drawer  
RIGHT

02

330mm - 13"

E14



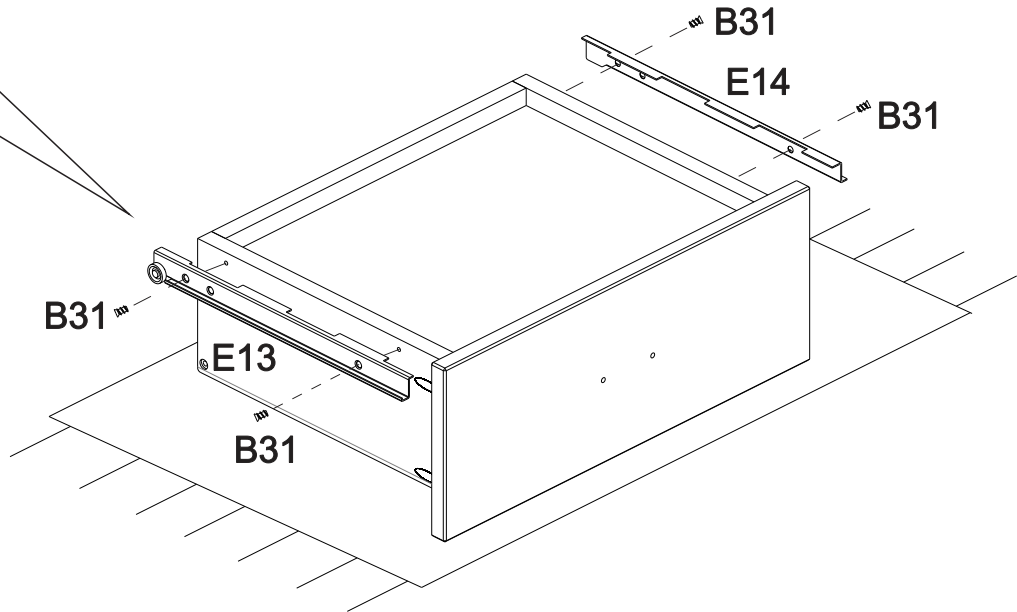
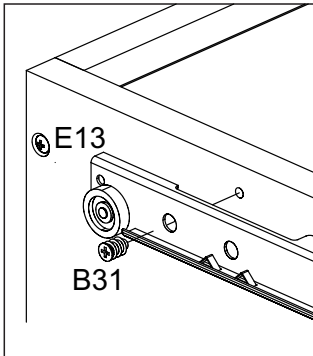
Drawer  
LEFT

02

330mm - 13"

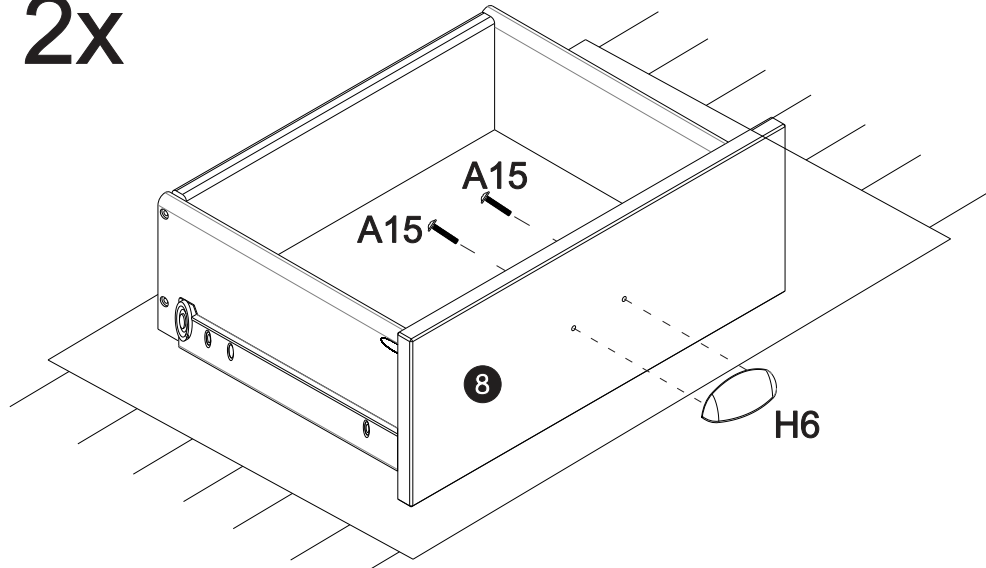
2x

FLIP THE ASSEMBLED DRAWER  
UPSIDE DOWN TO INSTALL GLIDES



Step 11

2x



A15



M4x22

04

H6



02

