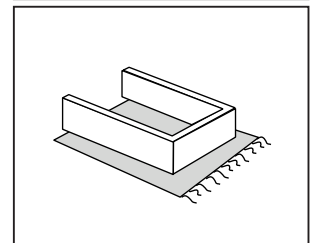
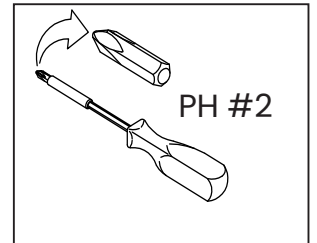
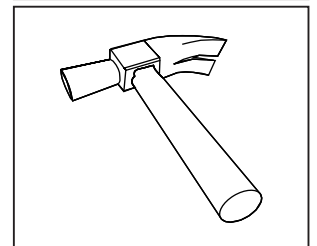
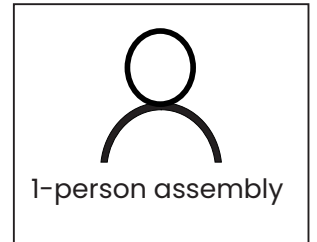
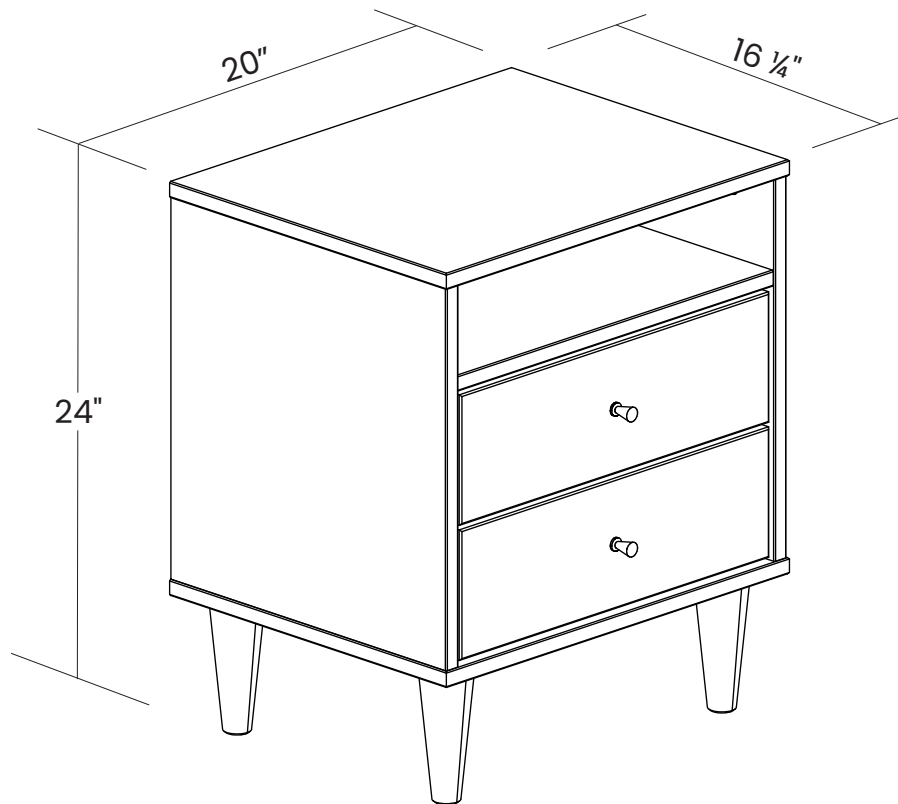


# Assembly Instructions



Model #	Finish
MC0405	Brushed Walnut

Thank you for choosing Grain Wood Furniture, it is an honor to be in your home!  
If you have any questions, feedback, or need replacement parts please contact us at:  
[grainwoodfurniture.com/help](http://grainwoodfurniture.com/help) or [support@grainwoodfurniture.com](mailto:support@grainwoodfurniture.com)

**Mid Century  
2-Drawer Nightstand**

**GrainWood**  
FURNITURE.COM




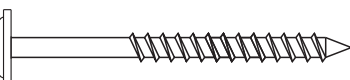
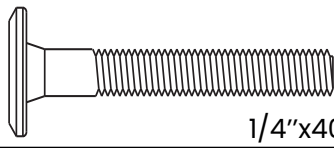


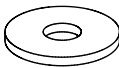
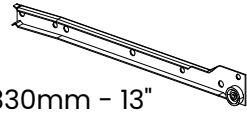
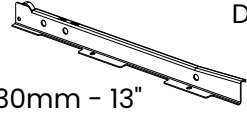
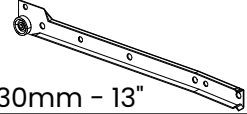
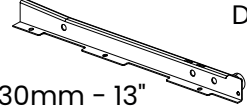
---

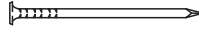
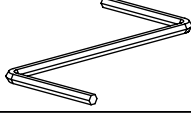

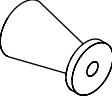
## PLEASE READ BELOW BEFORE BEGINNING ASSEMBLY

- Enlist help from a friend or family member as most items require two people for proper assembly.
- Choose a spacious, open area near where the piece will be located once assembled. It is easier to move parts than to relocate the furniture after it is fully assembled.
- Do not throw away packaging material until assembly is complete.
- Assemble the item on a soft surface, such as cardboard or an old blanket in order to protect the finish from possible dents or scratches.
- Lay out the parts in order and count them twice. In case any parts are missing or damaged, document the problem with pictures and contact support so we can make it right.
- Solid wood furniture may present imperfections such as wood knots, minor splits or cracks which are a natural aspect of the material. Whenever stability of the furniture is not compromised, we recommend customers perform cosmetic touch-ups with wax crayon fillers sold at all major hardware stores.
- It is best to use the tools provided in the box, such as a hex key, because they may be specially sized for the piece of furniture.
- We do not recommend the use of power drills as they can damage your furniture if not used correctly.
- Use a carpenter's square or hardcover book to check angles when assembling drawers and doors. If they are not at 90 degrees, they will not close properly.
- If you have any problems, we are here to help. Just go to [grainwoodfurniture.com/help](http://grainwoodfurniture.com/help).
- See [grainwoodfurniture.com/care-guide](http://grainwoodfurniture.com/care-guide) for suggestions that will help your furniture last for years.

**Enjoy your 100% solid wood furniture!**

# HARDWARE LIST

A1	 4,0x30	28 + 2
A4	 3,5x14	4 + 1
A25	 M4x25	2 + 1
A40	 4,0x45	6 + 1
B25	 1/4"x40	4
B31	 6,0x10	16 + 1
C1	 8,0x30	26 + 2
D41	 5/16"x24x2	4 + 1
E13	 330mm - 13" RIGHT Side	2
E13	 330mm - 13" Drawer RIGHT	2
E14	 330mm - 13" LEFT Side	2
E14	 330mm - 13" Drawer LEFT	2

G1	 10x10	14
G8		1
G14		4
H16		2



## ATTENTION

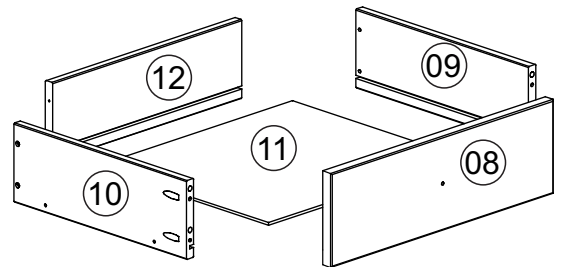
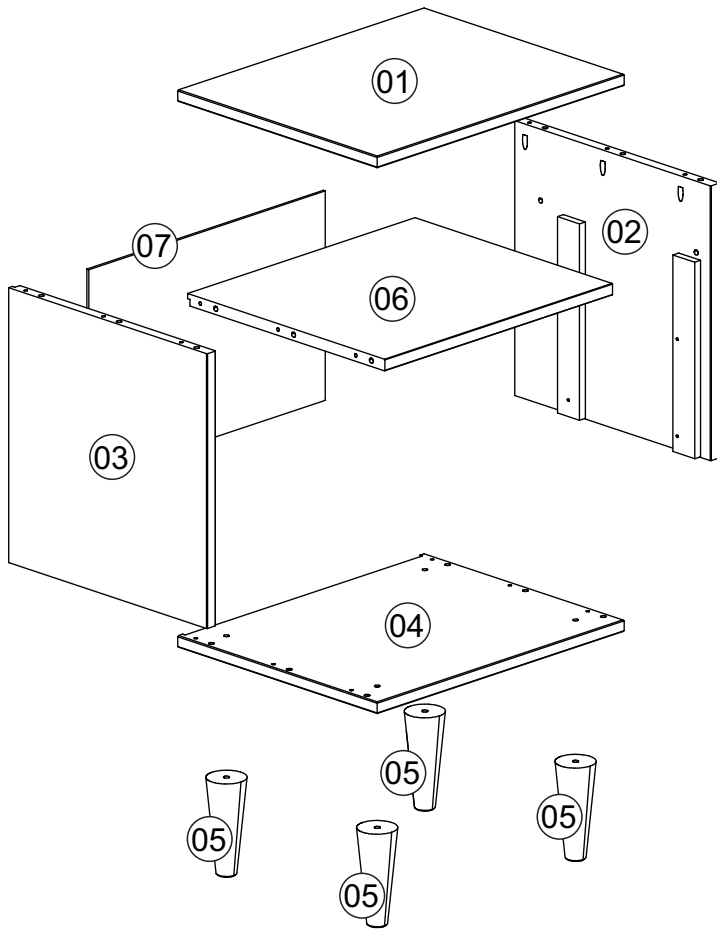
Before starting assembly please verify the hardware set is complete.

For missing hardware please contact us at [grainwoodfurniture.com/help](http://grainwoodfurniture.com/help)

### WARNING:

#### CHOKING HAZARD

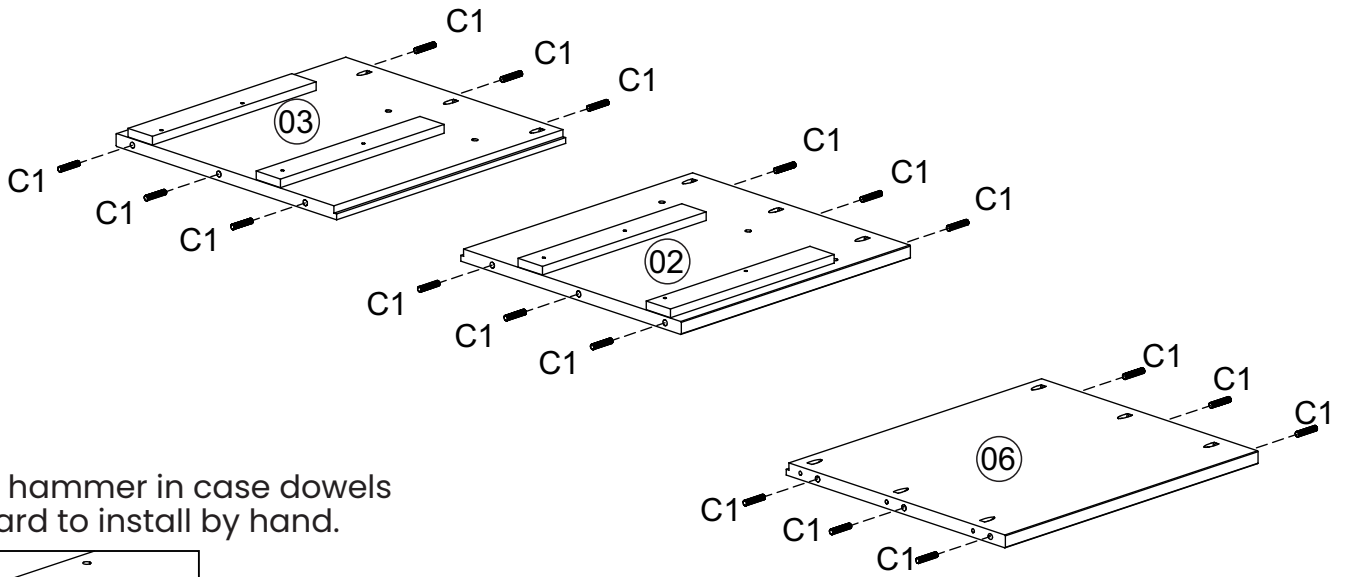
Small parts, not for children.  
To be assembled by an adult.



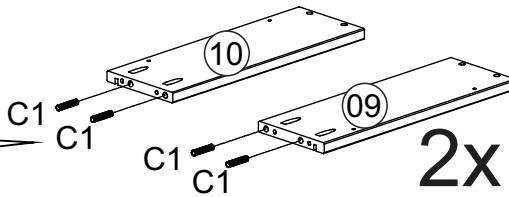
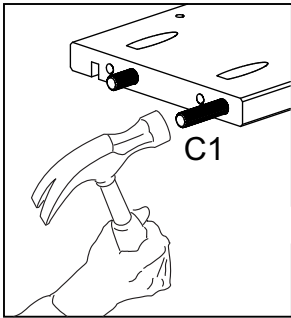
**2x**


BOX		
Part #	Description	Qty.
01	Top	1
02	Right side	1
03	Left side	1
04	Base	1
05	Foot	4
06	Fixed shelf	1
07	Back panel	1
08	Drawer front	2
09	Drawer right side	2
10	Drawer Left side	2
11	Drawer bottom	2
12	Drawer back	2
HW	Hardware	1

1)

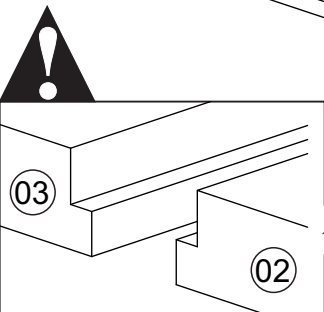
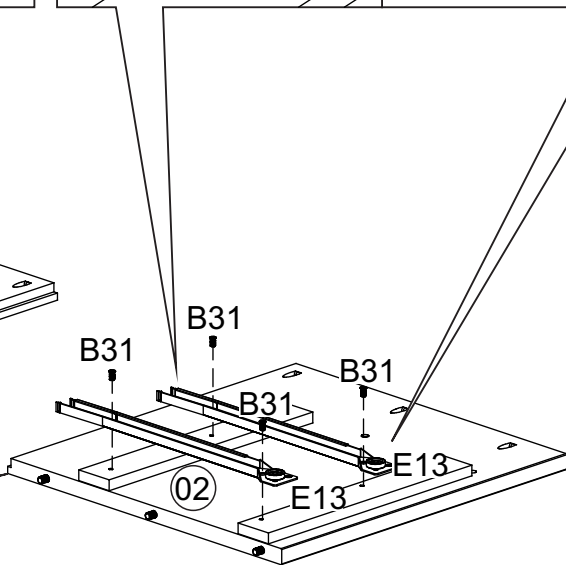
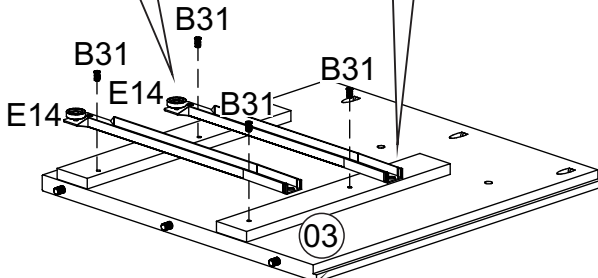
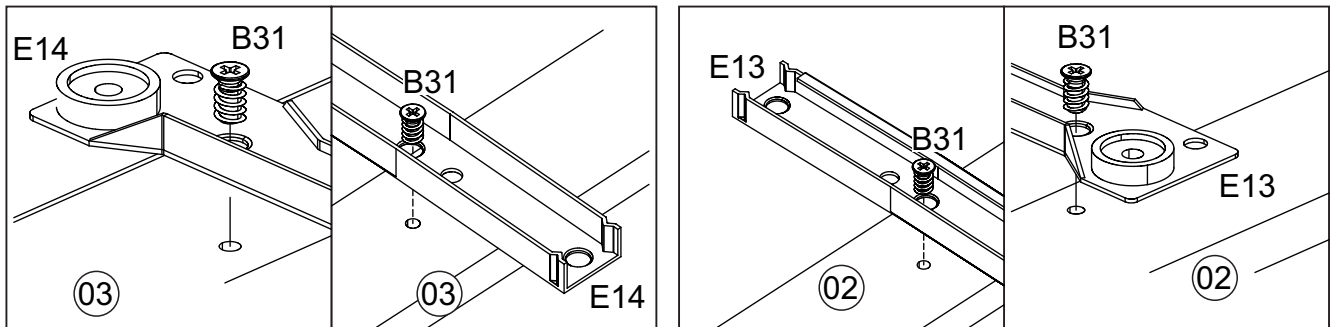



Tip :  
Use a hammer in case dowels  
are hard to install by hand.

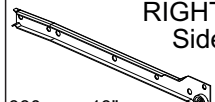


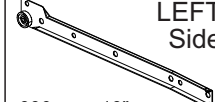
C1		26
		8,0x30

2)

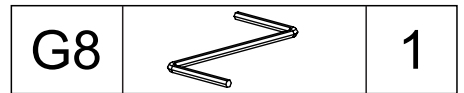
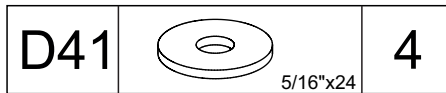
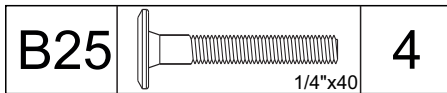
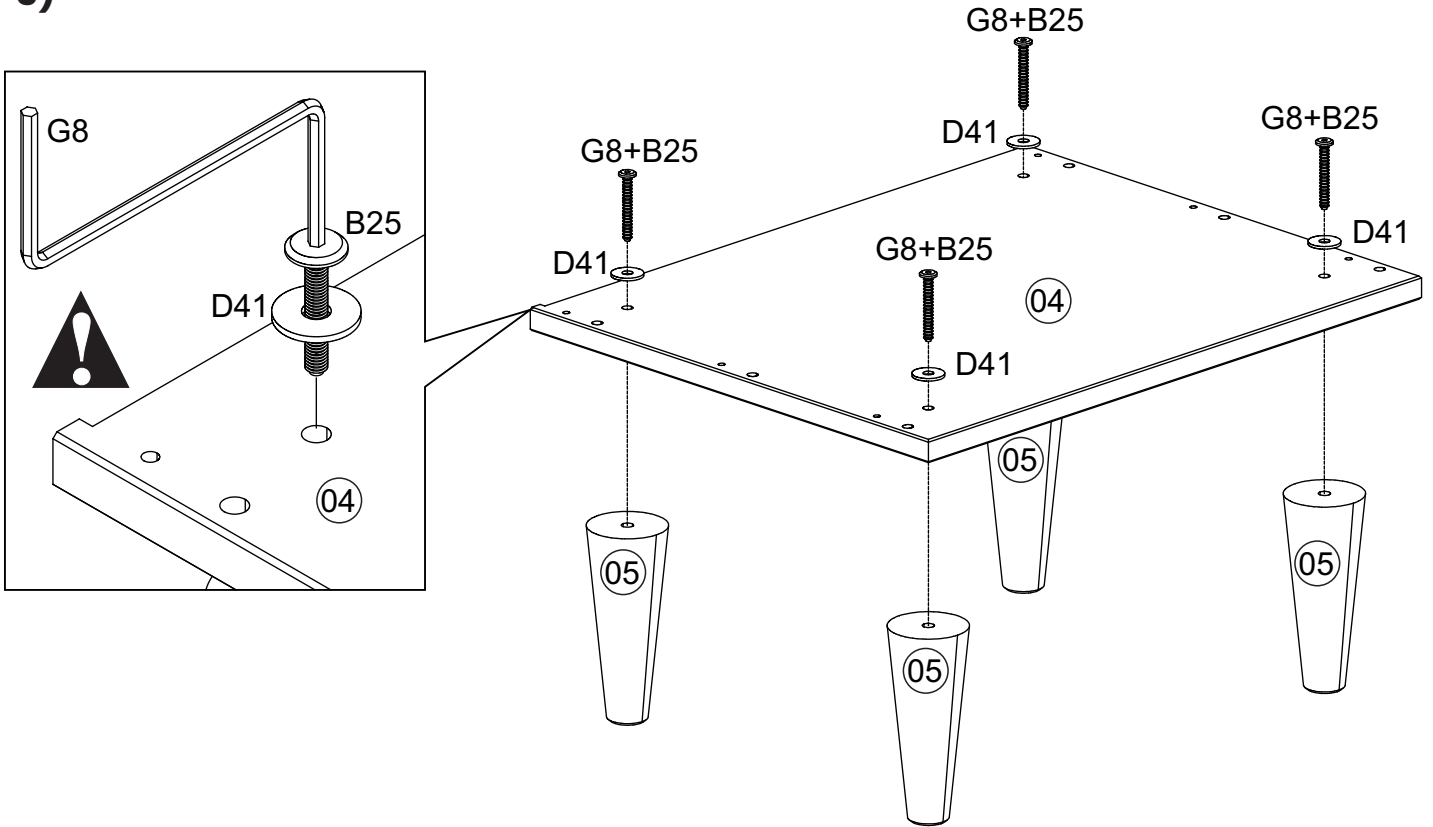


B31		8
		6,0x10

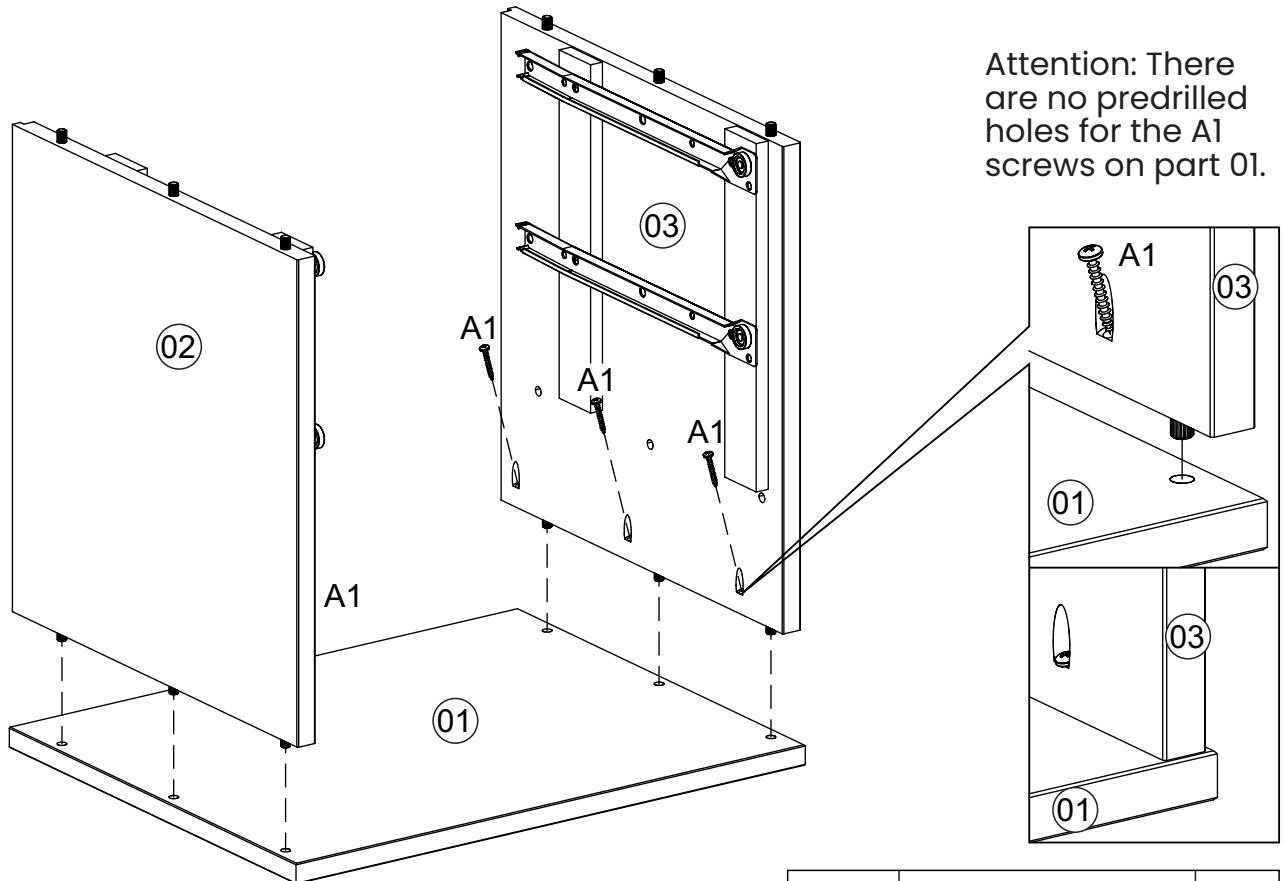
E13		2
		330mm - 13"

E14		2
		330mm - 13"

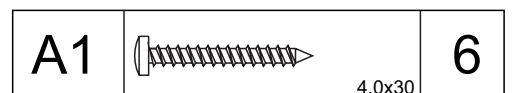
3)



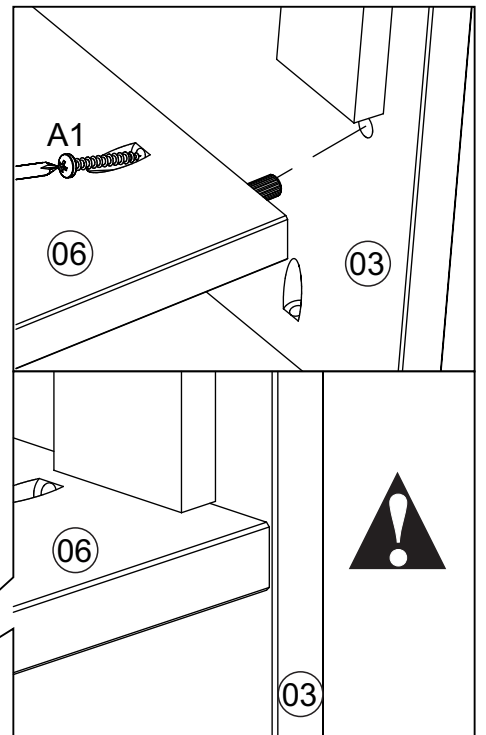
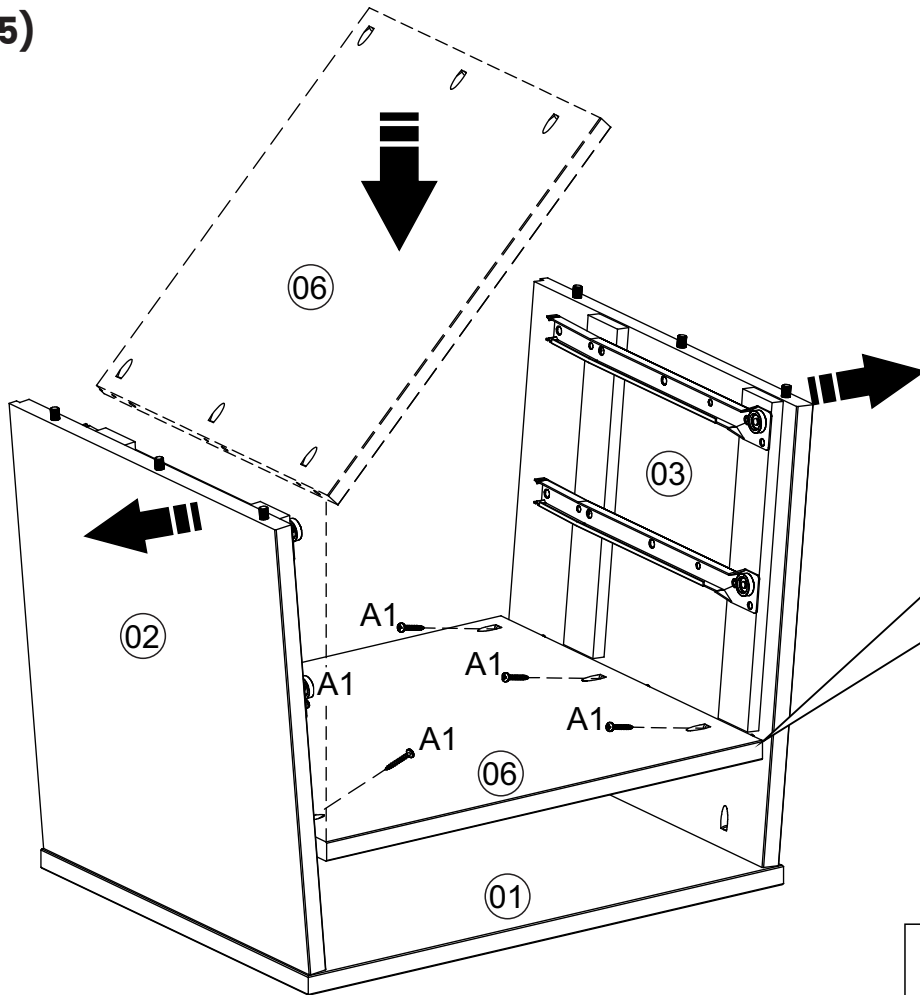
4)



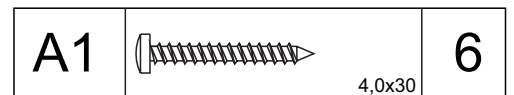
Attention: There are no predrilled holes for the A1 screws on part 01.



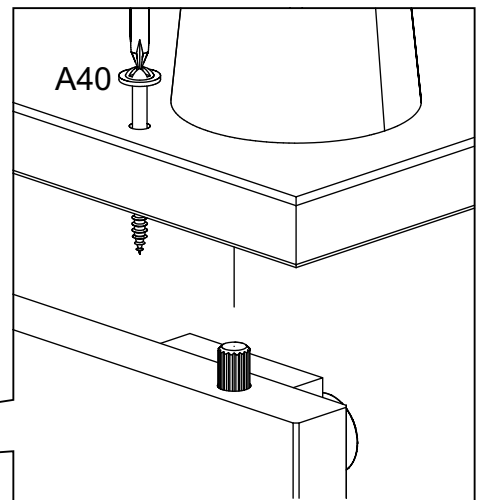
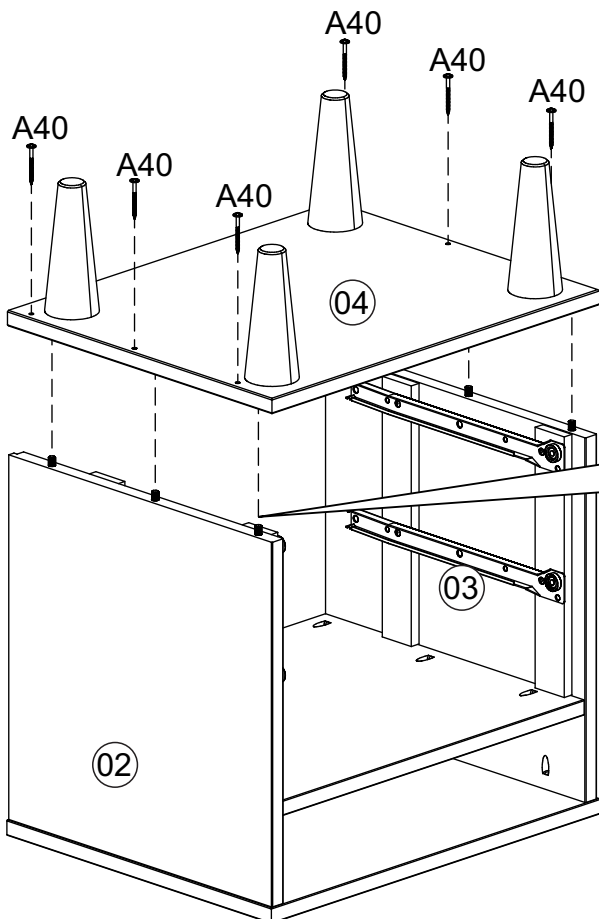
5)



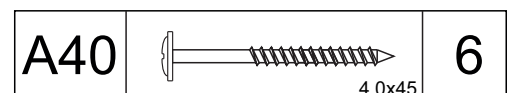
Attention: There are no predrilled holes for the A1 screws on parts 02 and 03.



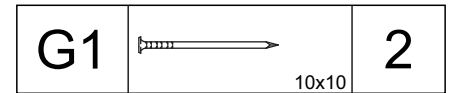
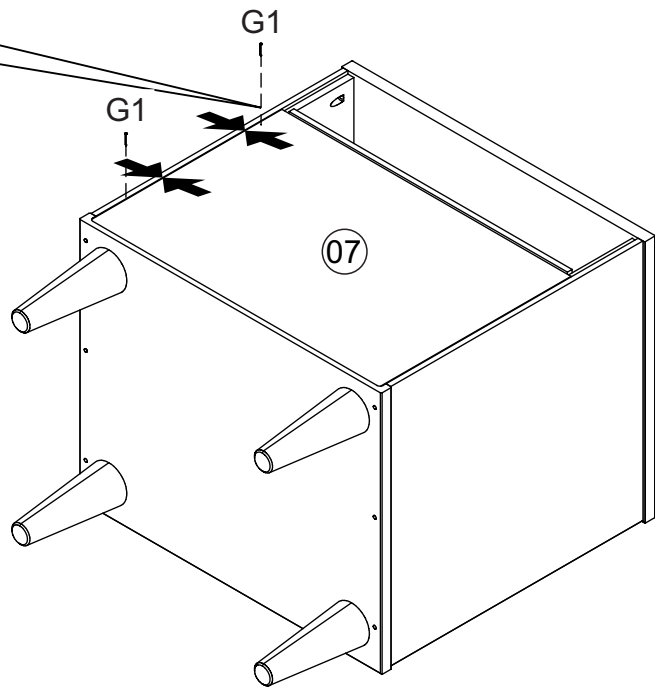
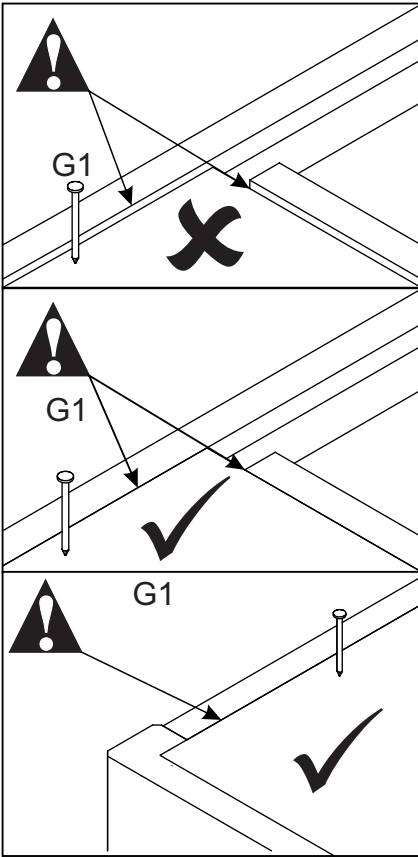
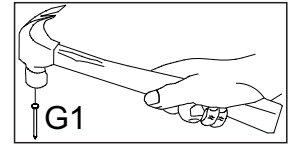
6)



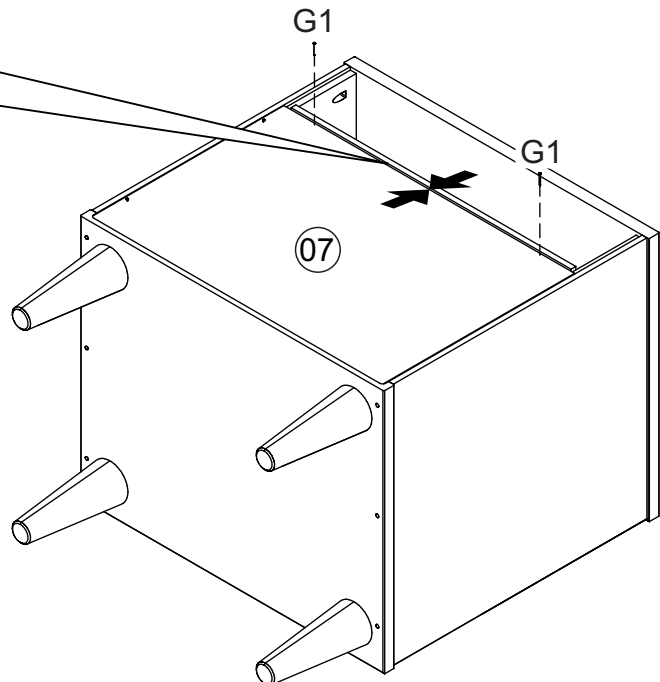
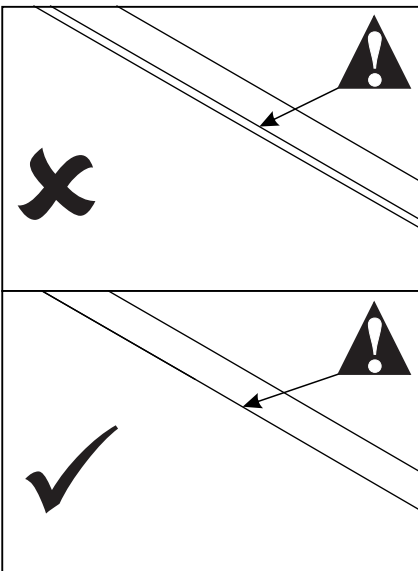
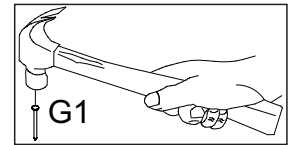
Attention: There are no predrilled holes for the A40 screws on parts 02 and 03.



7) Make sure back panels are perfectly aligned with side panels and top and there are NO gaps.

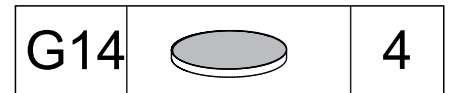
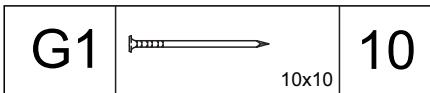
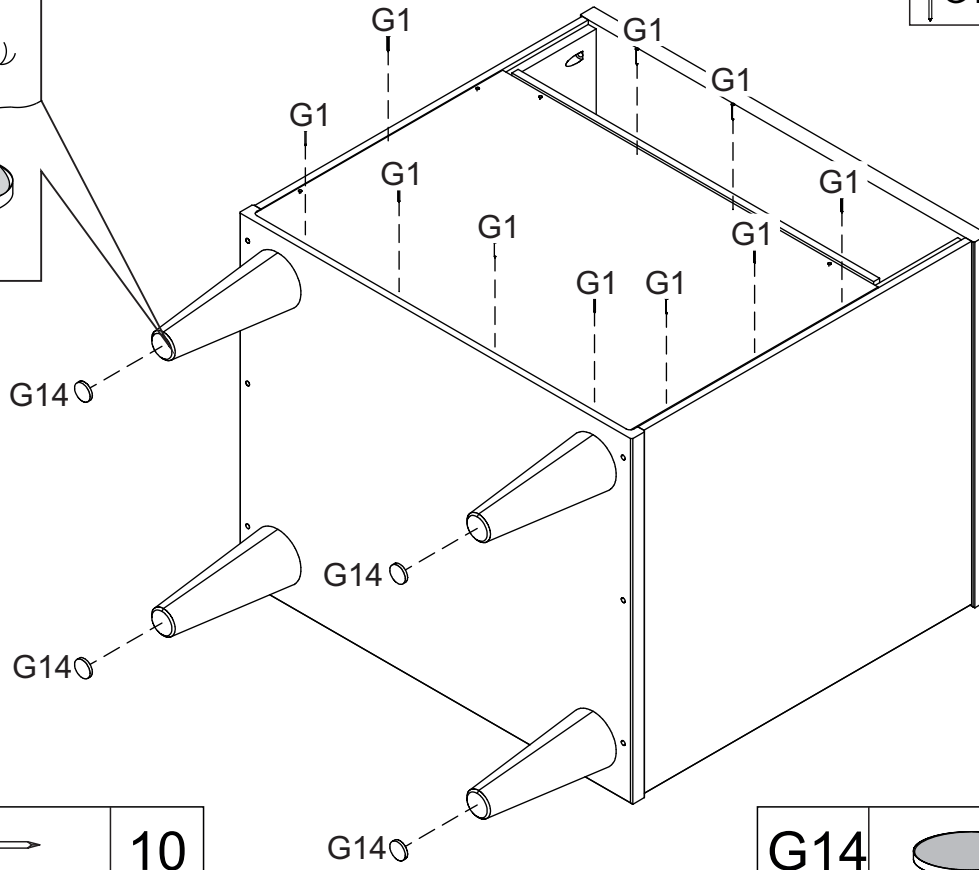
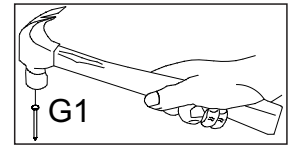
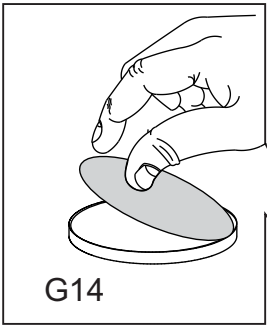


8)

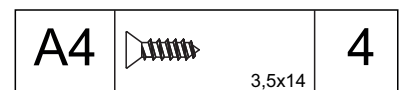
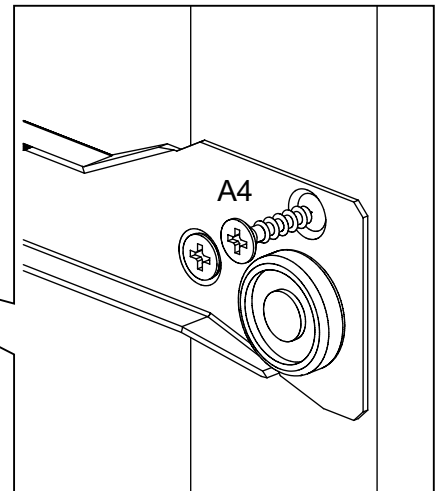
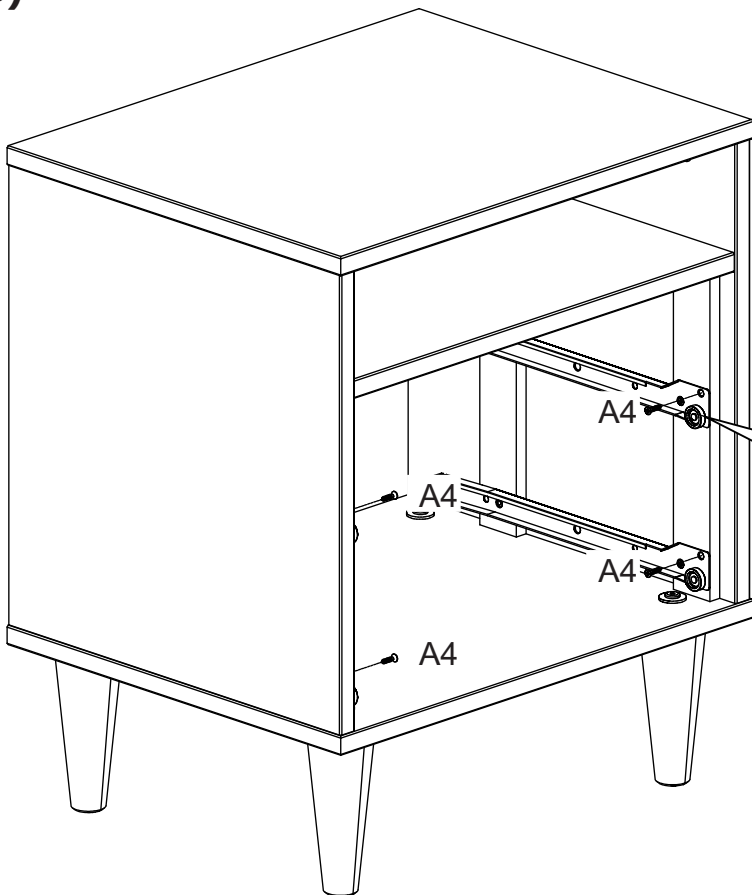


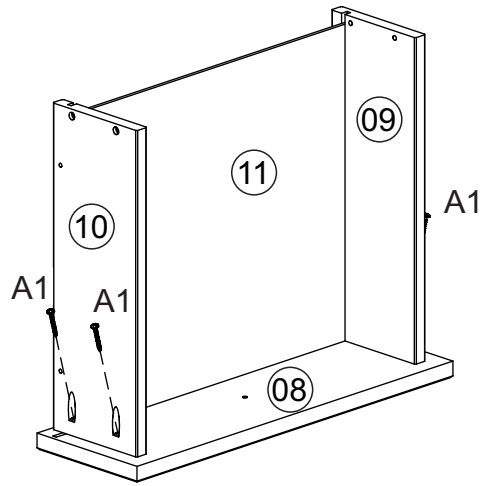
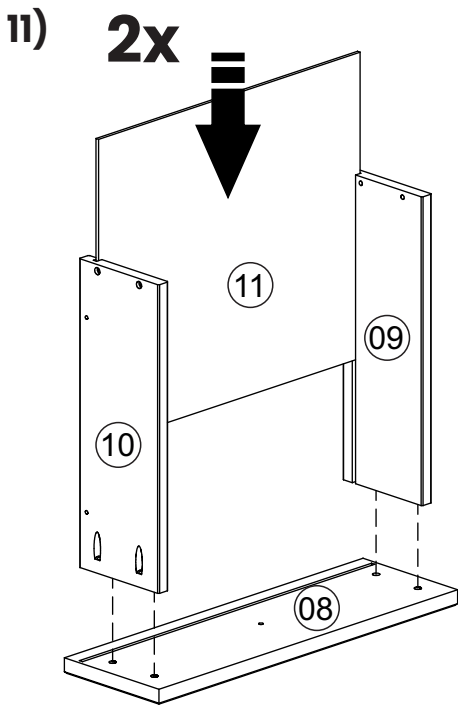


9)

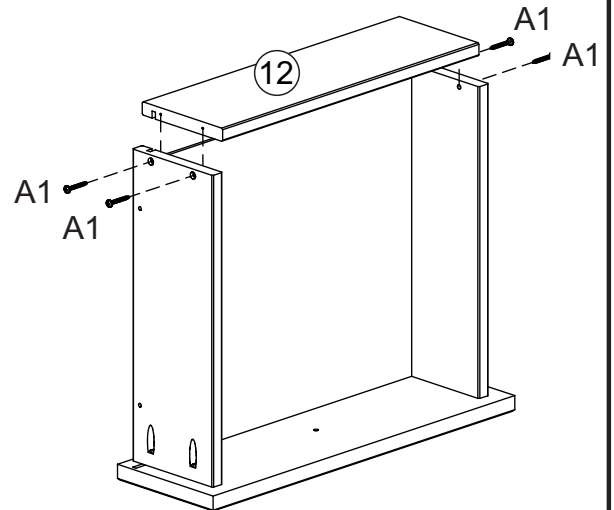



10)



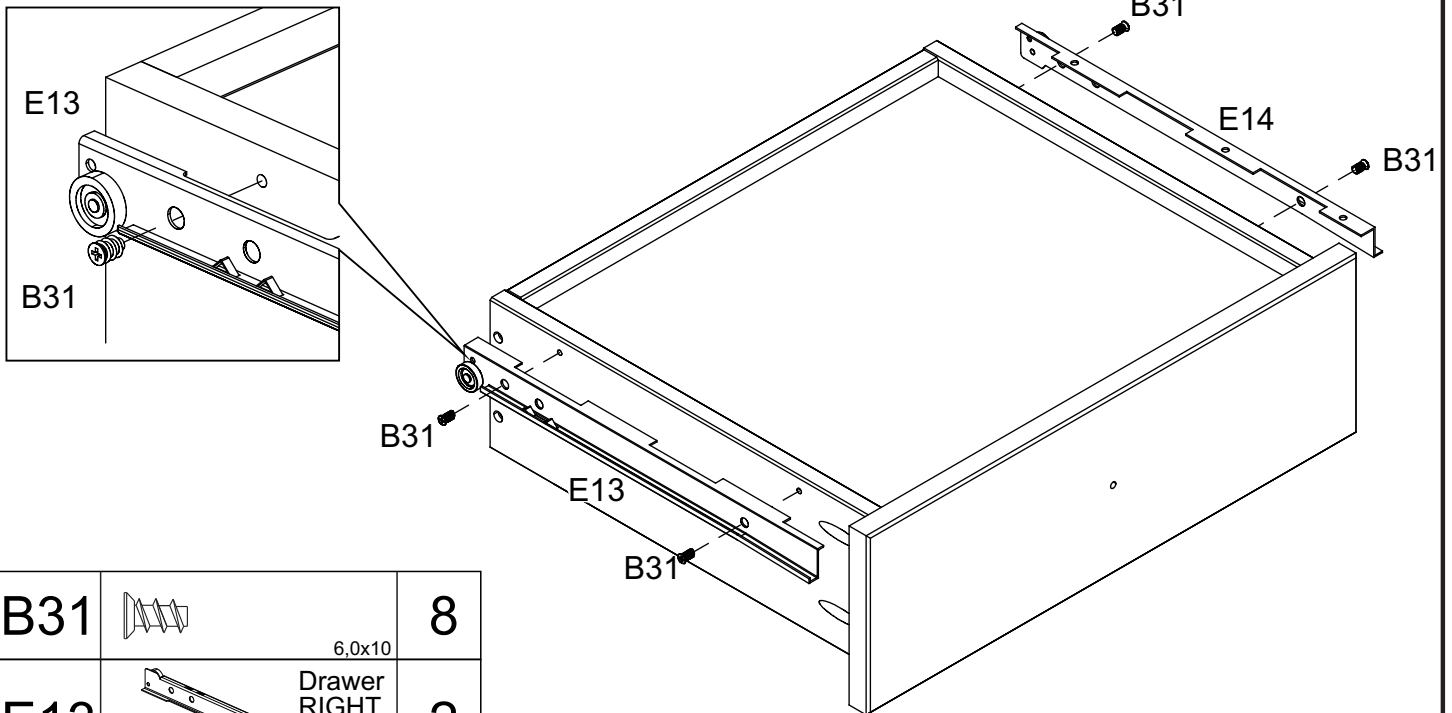


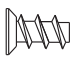
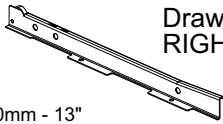
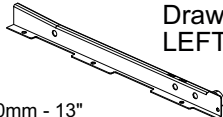
Attention: There are no predrilled holes for the A1 screws on part 08.



A1		4,0x30	16
----	---	--------	----

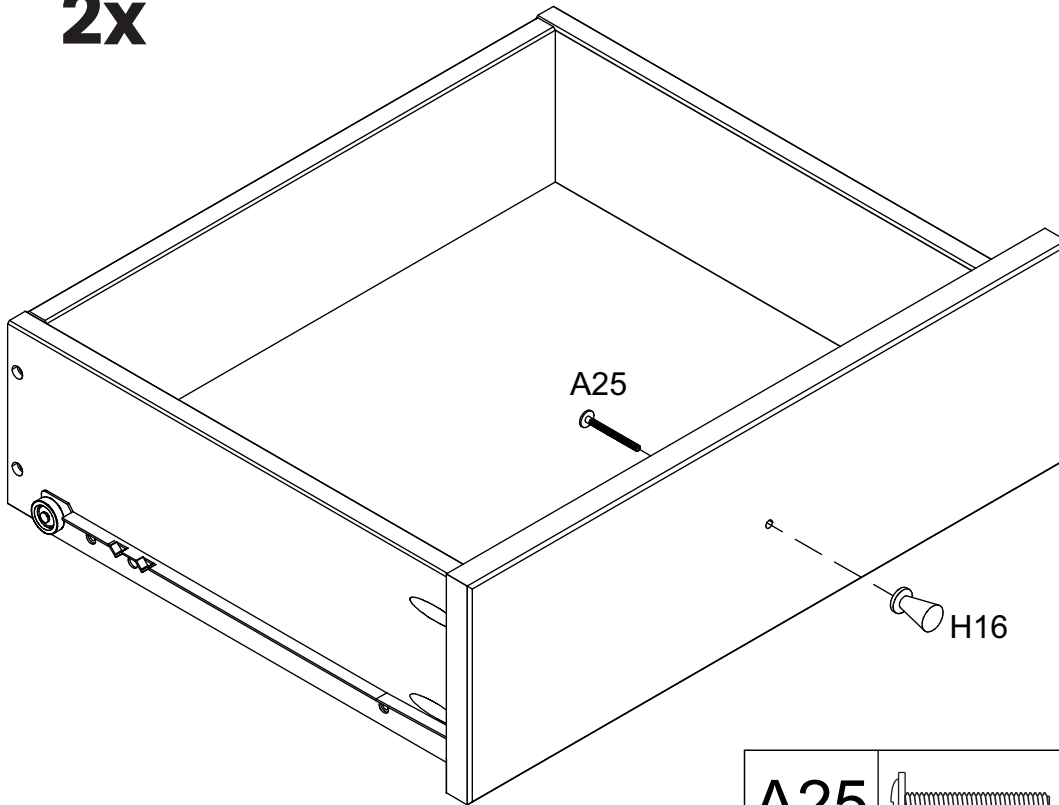
12) Flip the assembled drawer upside down to install glides.


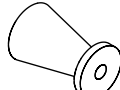


B31		6,0x10	8
E13		Drawer RIGHT 330mm - 13"	2
E14		Drawer LEFT 330mm - 13"	2

**2x**

13) **2x**



A25		M4x25	2
H16			2

14)

