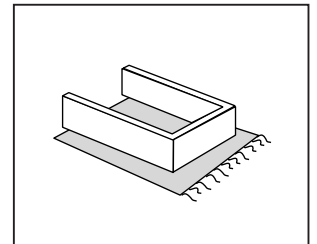
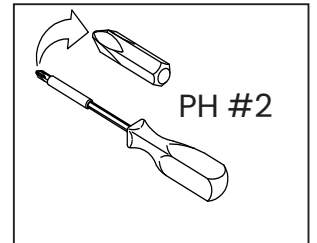
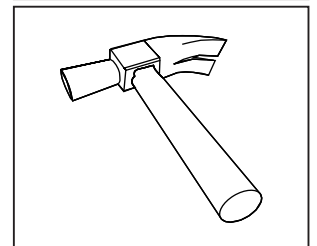
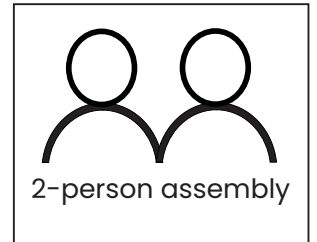
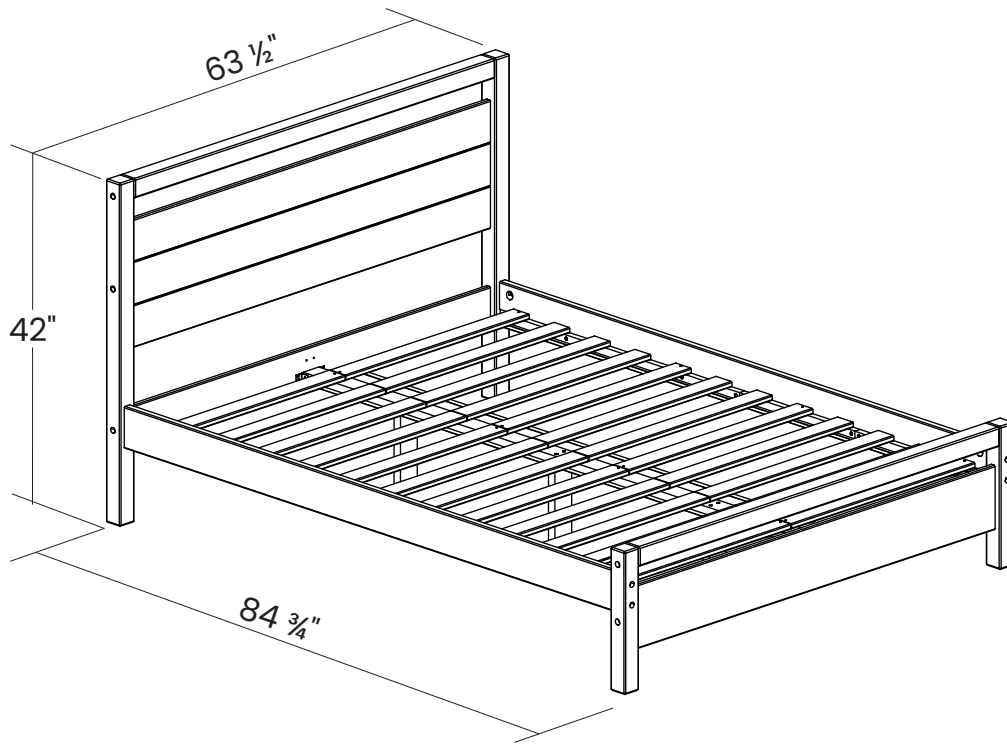


Assembly Instructions



Model #	Finish
JLF0303	Brushed White
JLF0340	Brushed Grey
JLF0368	Weathered Pine
JLF0389	Acacia

Thank you for choosing Grain Wood Furniture, it is an honor to be in your home!
 If you have any questions, feedback, or need replacement parts please contact us at:
grainwoodfurniture.com/help or support@grainwoodfurniture.com

Loft Collection
Queen Platform Bed

GrainWood
 FURNITURE.COM

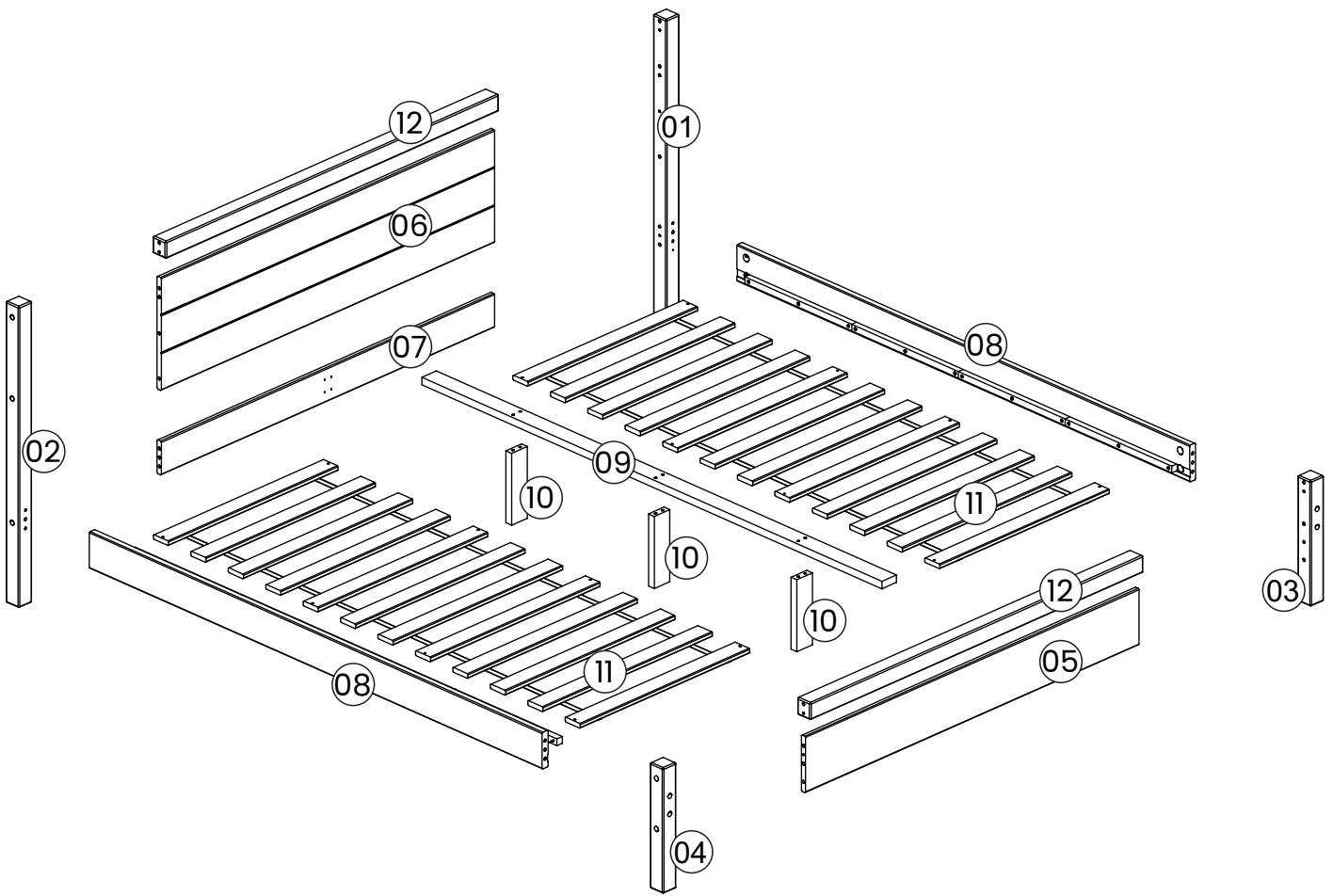
PLEASE READ BELOW BEFORE BEGINNING ASSEMBLY

- Enlist help from a friend or family member as most items require two people for proper assembly.
- Choose a spacious, open area near where the piece will be located once assembled. It is easier to move parts than to relocate the furniture after it is fully assembled.
- Do not throw away packaging material until assembly is complete.
- Assemble the item on a soft surface, such as cardboard or an old blanket in order to protect the finish from possible dents or scratches.
- Lay out the parts in order and count them twice. In case any parts are missing or damaged, document the problem with pictures and contact support so we can make it right.
- Solid wood furniture may present imperfections such as wood knots, minor splits or cracks which are a natural aspect of the material. Whenever stability of the furniture is not compromised, we recommend customers perform cosmetic touch-ups with wax crayon fillers sold at all major hardware stores.
- It is best to use the tools provided in the box, such as a hex key, because they may be specially sized for the piece of furniture.
- We do not recommend the use of power drills as they can damage your furniture if not used correctly.
- Use a carpenter's square or hardcover book to check angles when assembling drawers and doors. If they are not at 90 degrees, they will not close properly.
- If you have any problems, we are here to help. Just go to grainwoodfurniture.com/help.
- See grainwoodfurniture.com/care-guide for suggestions that will help your furniture last for years.



grainwoodfurniture.com/assembly-troubleshooting

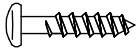

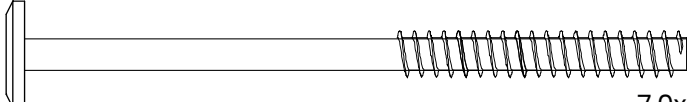

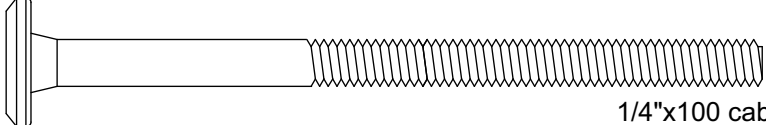
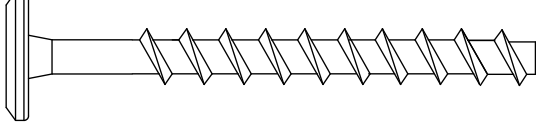
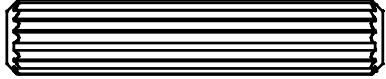
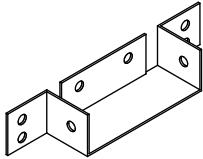
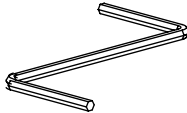

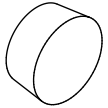
Enjoy your 100% solid wood furniture!



Box A - 1 of 2		
Part #	Description	Qty.
05	Footboard lower crosspiece	1
06	Headboard	1
07	Headboard lower crosspiece	1
11	Slat roll	2

Box B - 2 of 2		
Part #	Description	Qty.
01	Right headboard post	1
02	Left headboard post	1
03	Right footboard post	1
04	Left footboard post	1
08	Side rail	2
09	Center rail	1
10	Center support	3
12	Upper crosspiece	2
HW	Hardware	1

HARDWARE LIST

A9	 3,5x16	16 + 1
A14	 3,5x35	16 + 1
B2	 7,0x90 cab. Ø17	4
B5	 1/4"	14 + 1
B12	 1/4"x100 cab. Ø17	14
B19	 7,0x70 cab. Ø17	6
C6	 10x50	22 + 1
D28		2
G8		1
G12	 30x30	7
H7		14 + 5

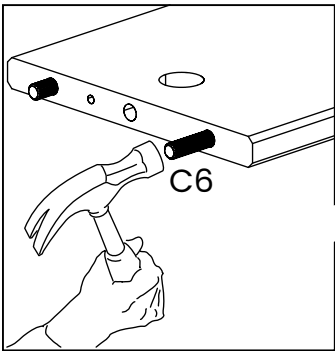
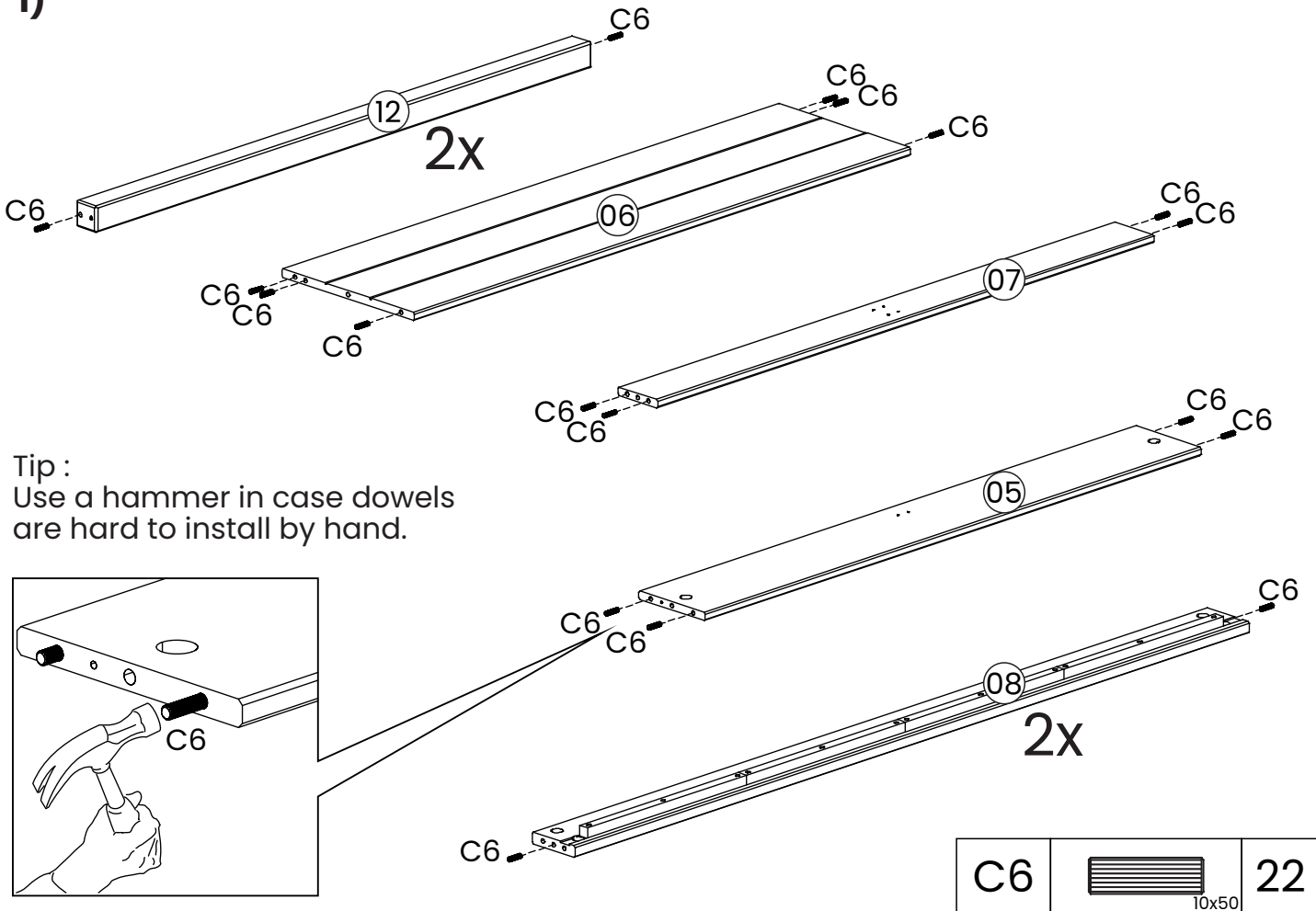
ATTENTION

Before starting assembly please verify the hardware set is complete.

For missing hardware please contact us at grainwoodfurniture.com/help

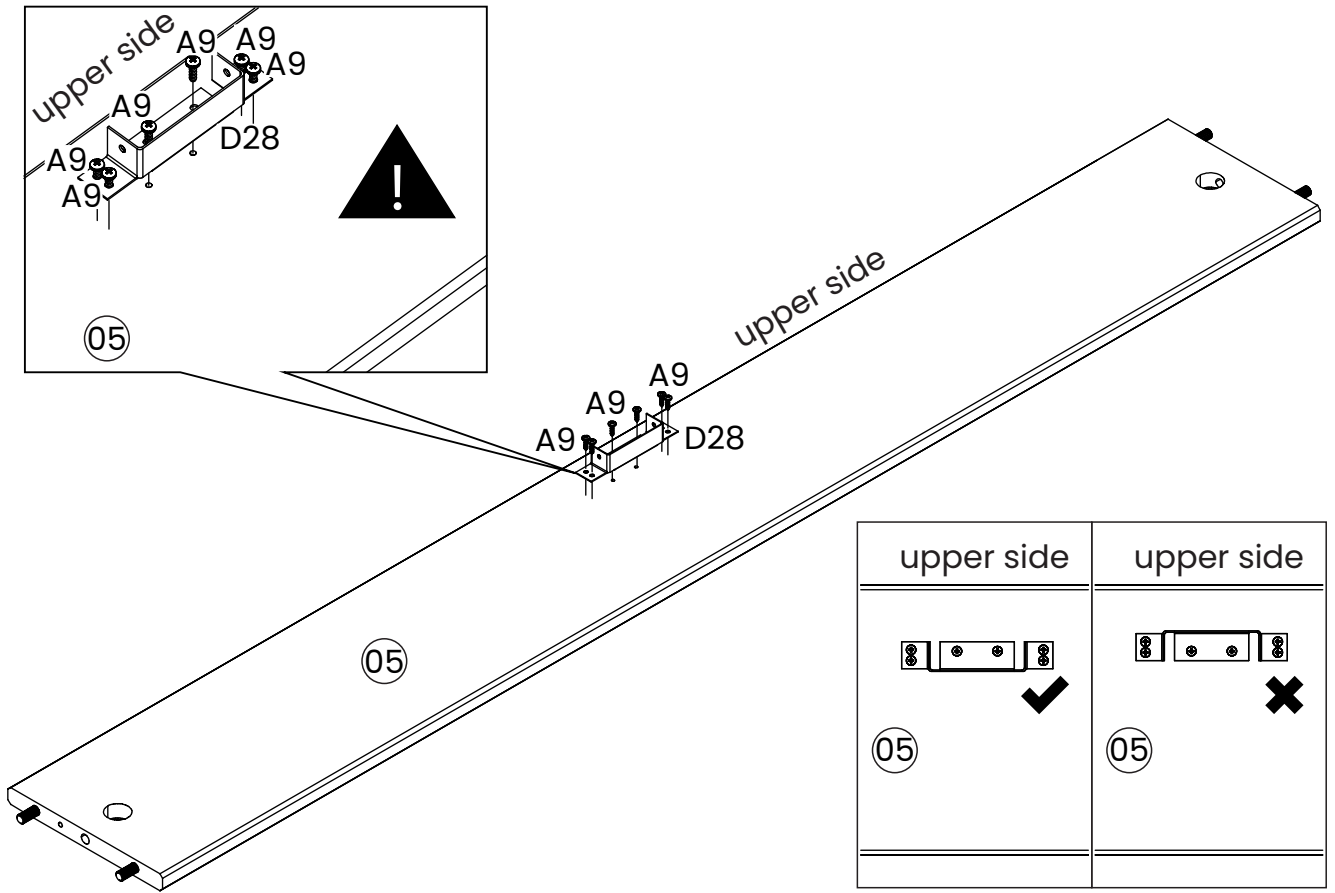
WARNING:
CHOKING HAZARD
Small parts, not for children.
To be assembled by an adult.

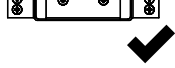

1)



C6		22
	10x50	

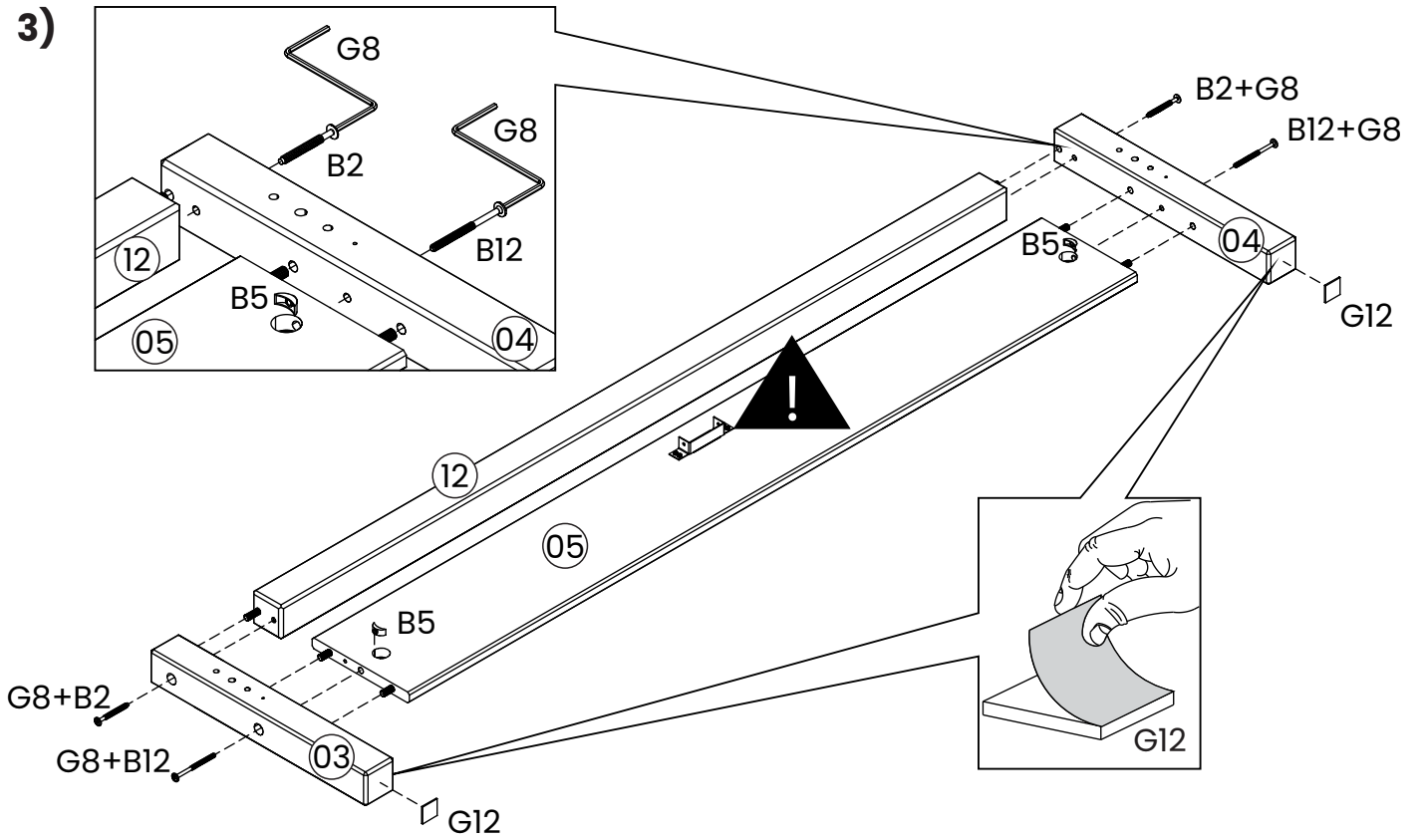
2)

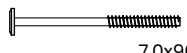

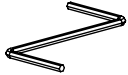




upper side	upper side
	
05	05

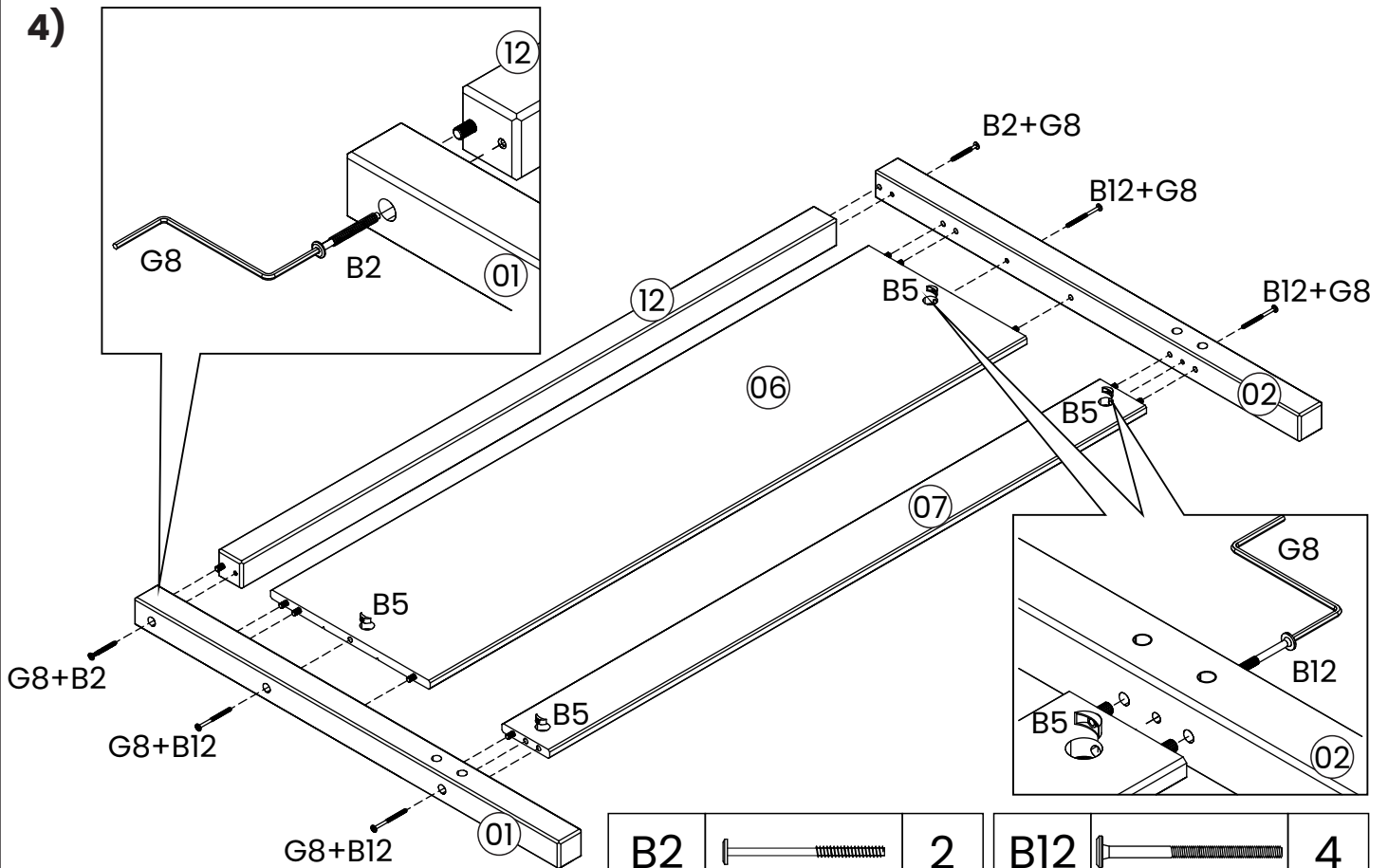
A9		6	D28		1
	3,5x16				





3)



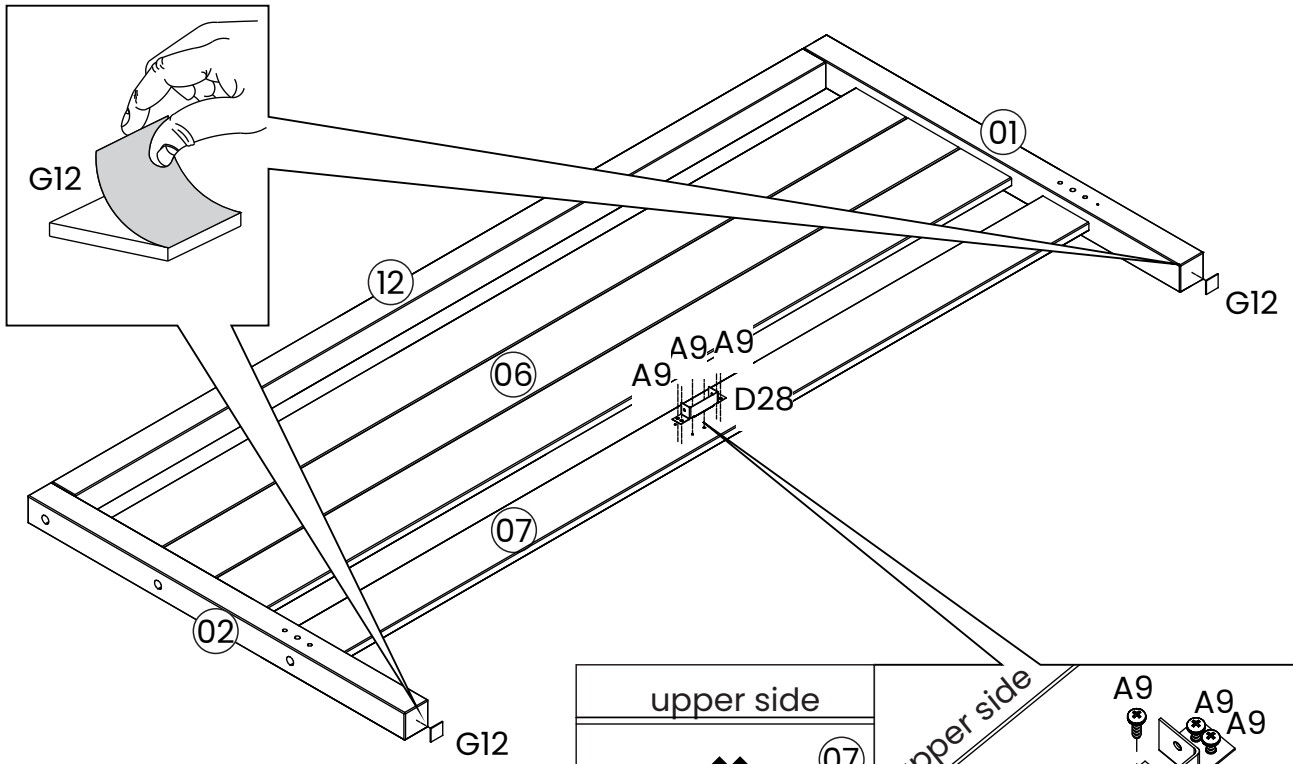
B2		2	B5		2	G8		1
	7,0x90		B12		2	G12		2
				1/4"				
				1/4"x100				

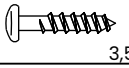
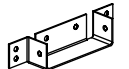
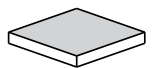
4)

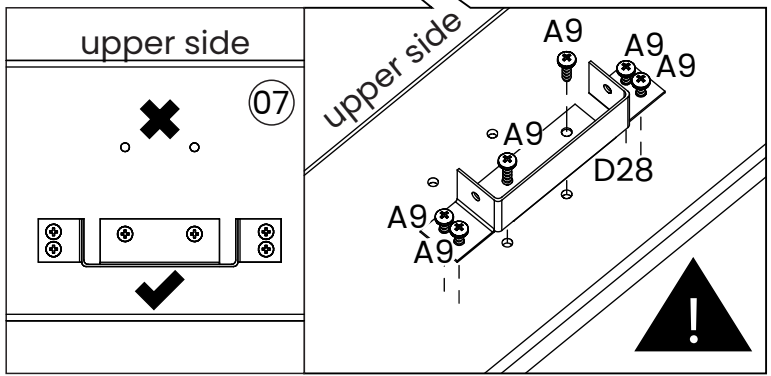


B2		2	B12		4	B5		4	G8		1
	7,0x90			1/4"x100			1/4"				

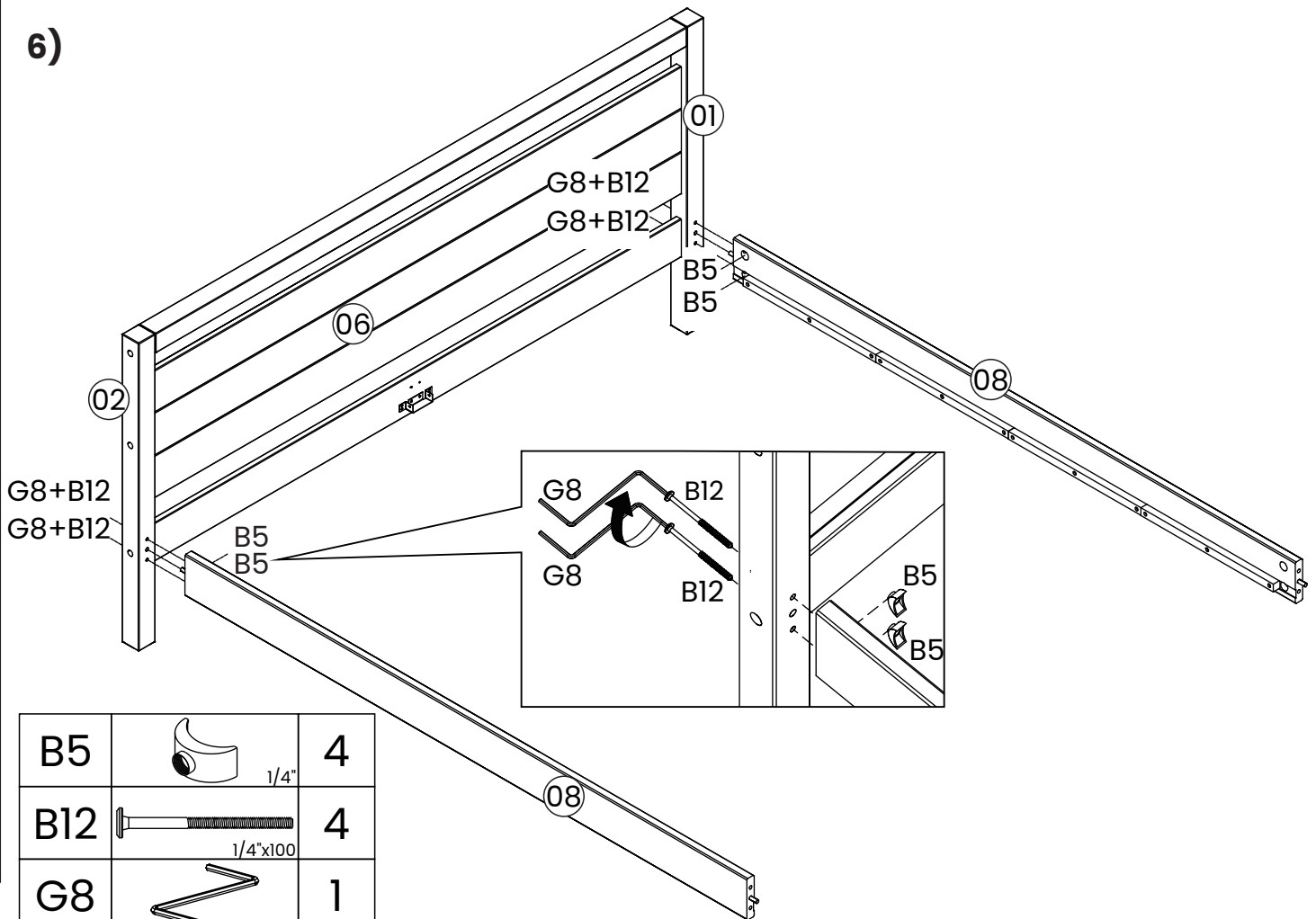
5)


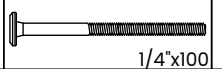



A9	 3,5x16	6
D28		1
G12		2

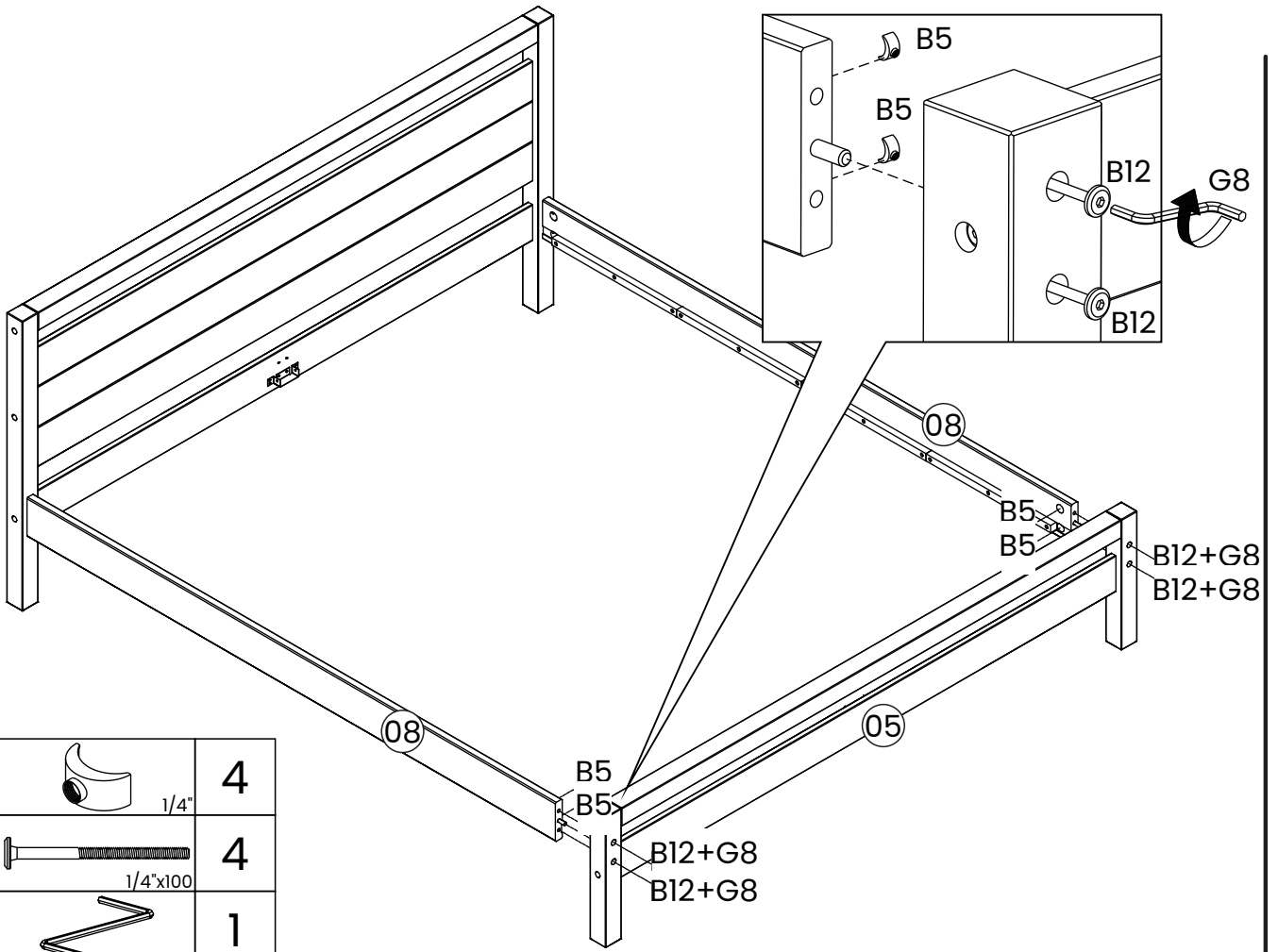



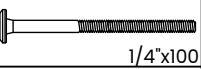

6)



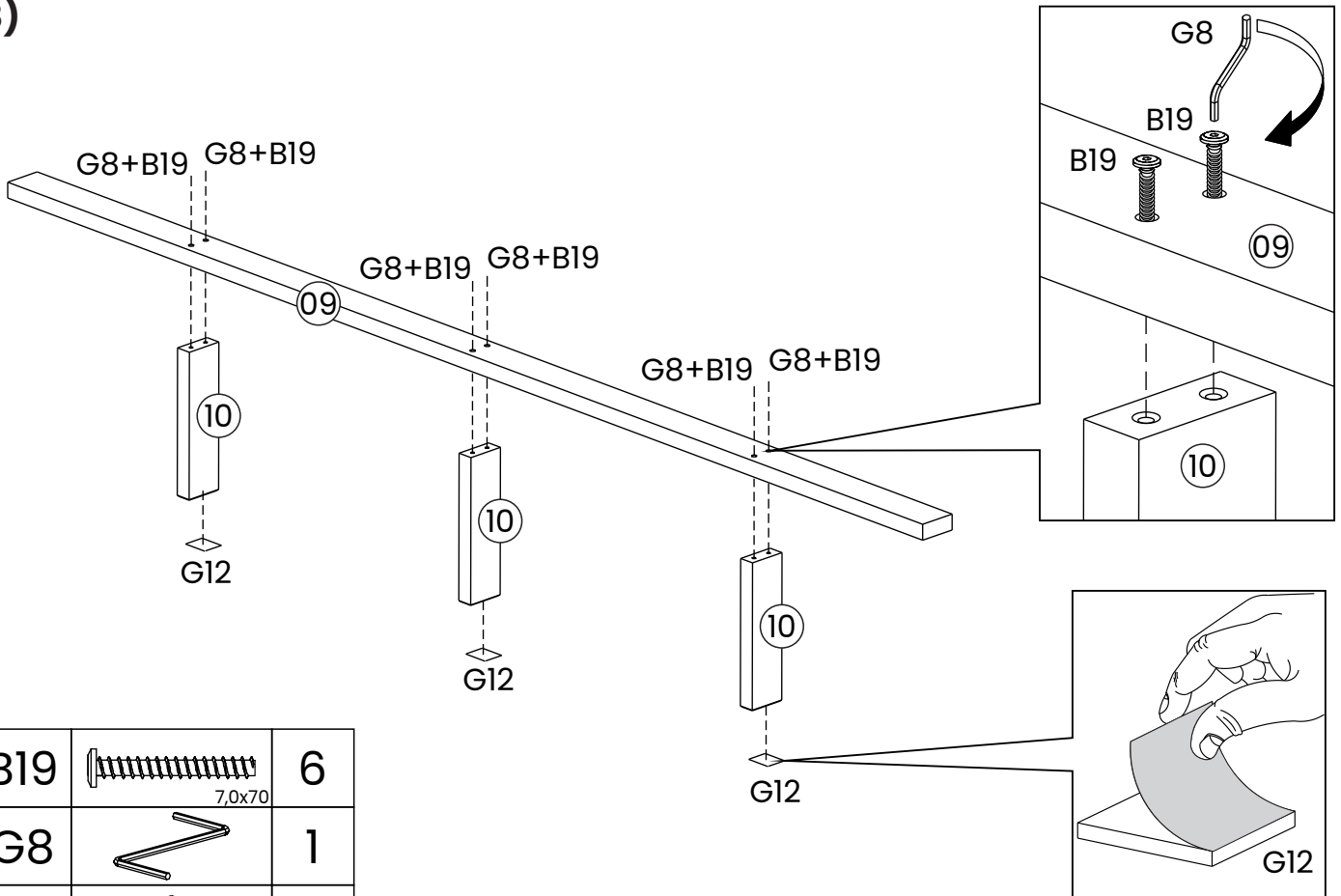
B5	 1/4"	4
B12	 1/4"x100	4
G8		1

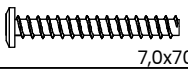

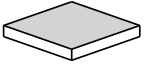
7)



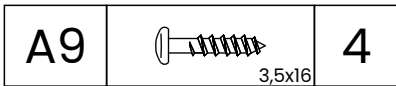
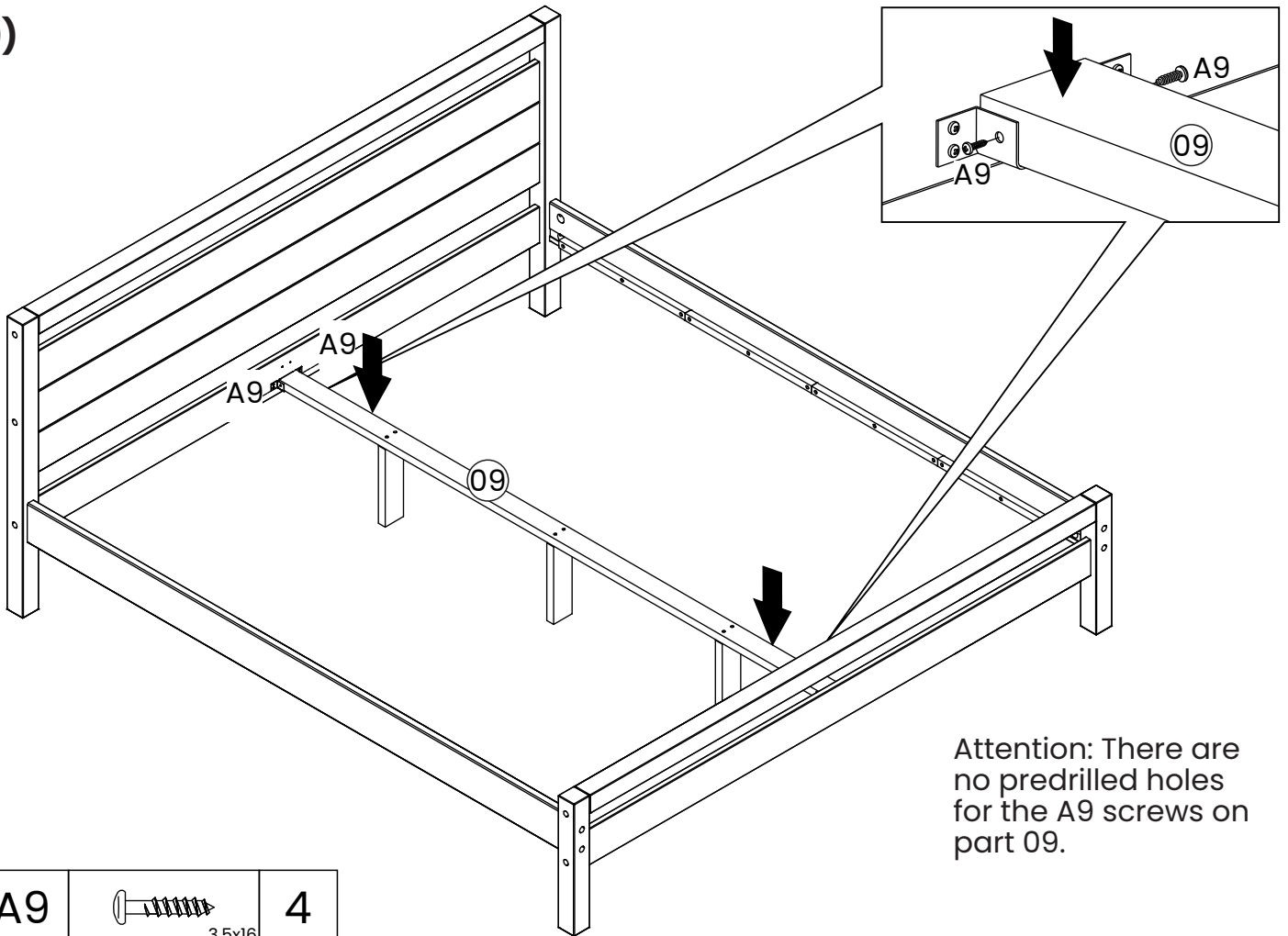
B5	 1/4"	4
B12	 1/4"x100	4
G8		1

8)

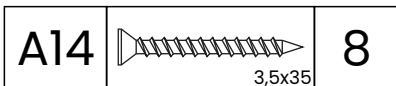
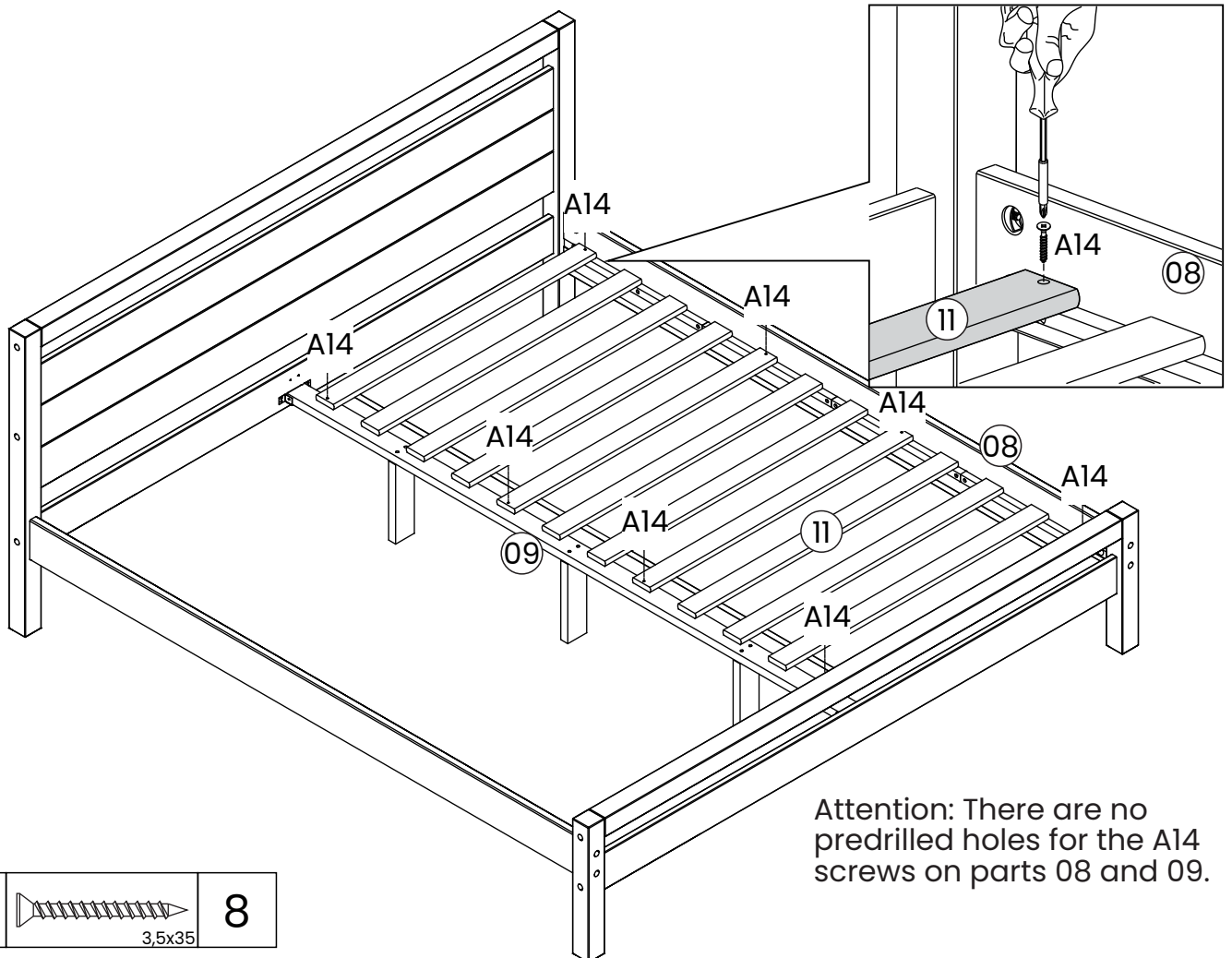


B19	 7,0x70	6
G8		1
G12		3

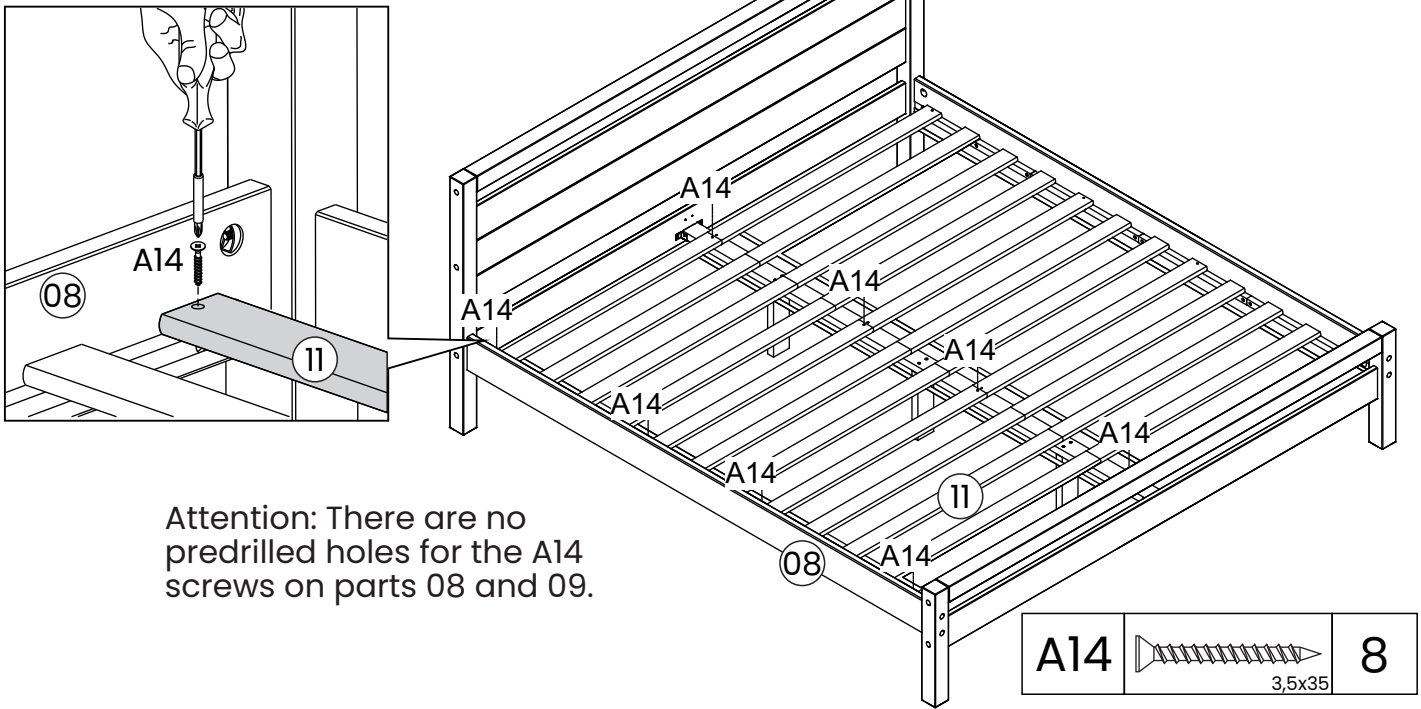
9)



10)

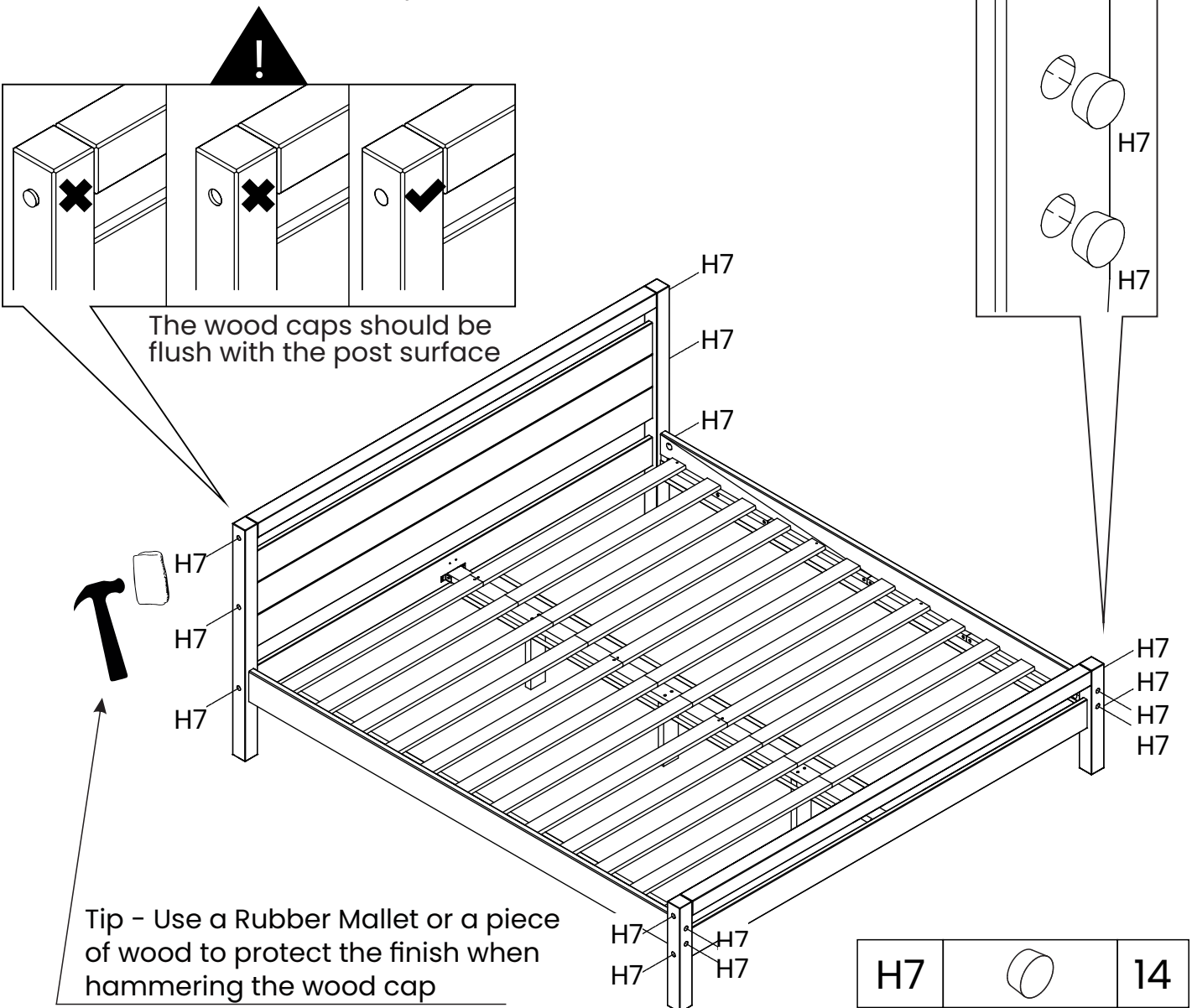


11)



Attention: There are no predrilled holes for the A14 screws on parts 08 and 09.

12) Tip - Do not install wood caps in the back of the headboard posts. Instead save these 4 caps for eventual future use.



The wood caps should be flush with the post surface

Tip - Use a Rubber Mallet or a piece of wood to protect the finish when hammering the wood cap