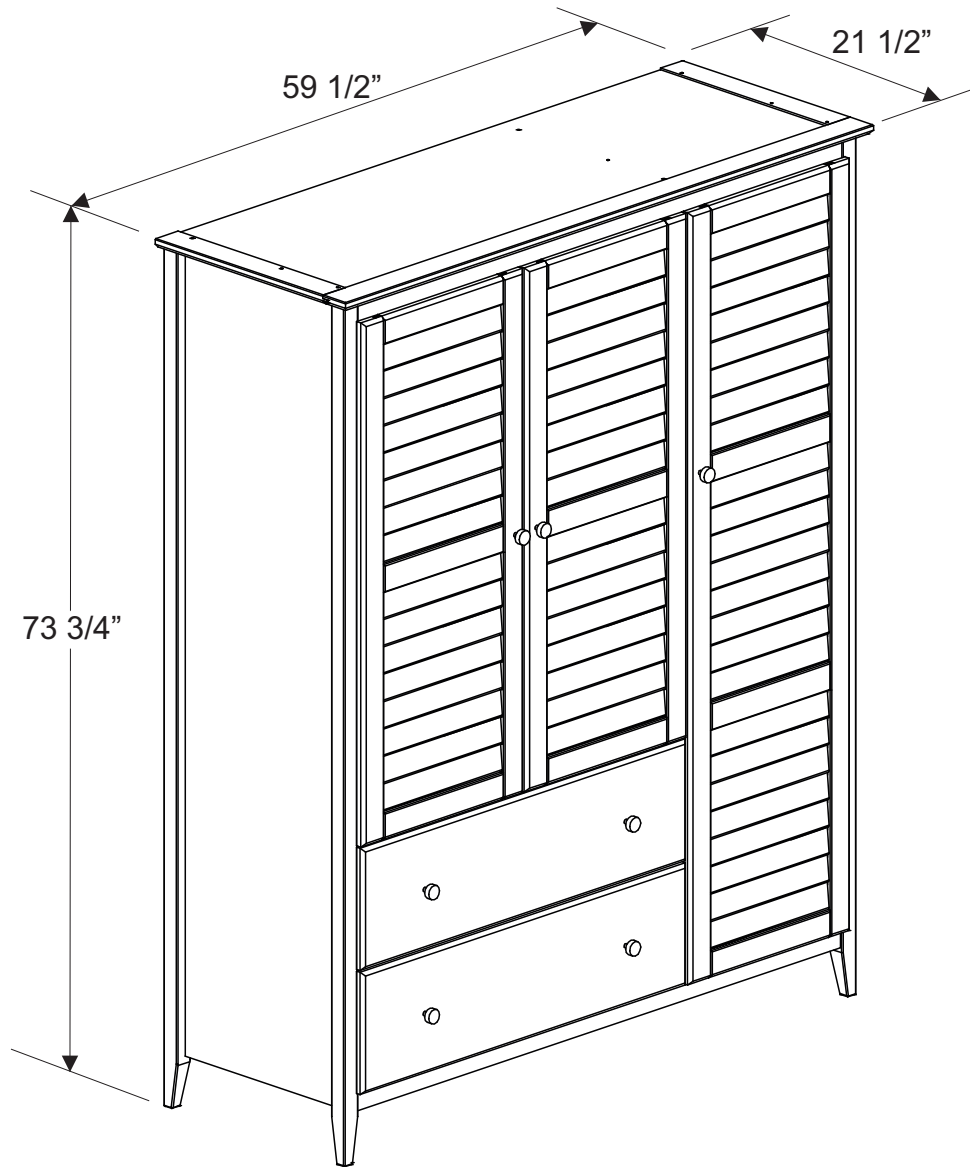


Assembly Instructions

Greenport Collection

Wardrobe 3 Door 2 Drawer



Thank you for purchasing our furniture, it's an honor to be in your home!

Every effort has been made to ensure your Wood Furniture is of the finest quality. If you have any questions or need any replacement parts, please do not hesitate to contact us at www.grainwoodfurniture.com



www.grainwoodfurniture.com

				Model #	Finish
				GP0903	Brushed White
				GP0940	Brushed Grey

MADE IN BRAZIL

PLEASE READ BELOW BEFORE BEGINNING YOUR ASSEMBLY

Here are some tips on assembling your flat-pack furniture in order to minimize your assembly time and frustrations:

- Do Not throw away packaging material until assembly is complete.
- Assemble the item on a soft surface, such as cardboard or old blanket, to protect finish from possible dents or scratches.
- Choose a spacious, open area near where the piece will be located. It is easier to move parts than to relocate the furniture after it is fully assembled, depending on its size and weight.
- Organize everything and count it twice. If you organize the items by parts, you'll find it much easier to grab each piece as you build.
- Real Wood furniture may present imperfections such as wood knots, minor splits or cracks that are part of the natural aspect of the material. In few cases, also can be caused by variations of air moisture and temperature. Whenever stability of the piece of furniture is not compromised we recommend customers to perform cosmetic touch-ups by wax crayon fillers sold at all major hardware stores.
- It is best to use any tools the kit provides, such as a hex key, because they may be specially sized for that piece of furniture. We do not recommend the use of power drill, it can damage your furniture if not used correctly.
- Read the entire list of instructions, arranging your parts in order of use as you go.
- Finally, Enlist a help from friends and family since proper assembly of most items require 2 people.



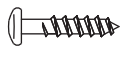

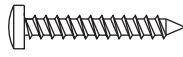




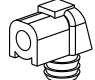
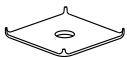
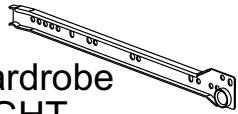
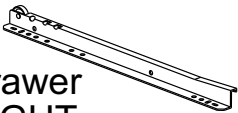
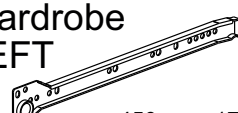
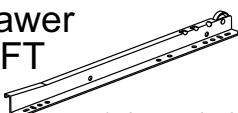
Wood Furniture Care:

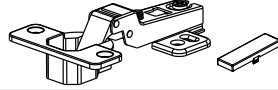

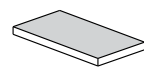

- *Clean with a cloth dampened with water or furniture polish following the pattern of the grain.*
- *Do NOT use solvents such as alcohol for cleaning.*
- *Avoid placing under direct sun light, to prevent UV damage.*
- *Avoid positioning very close to heaters or AC vents.*
- *Hot pads should always be used when placing warm serving dishes on your furniture.*
- *Very hot items such as a sauce pan or baking dish should never be placed on a tabletop, even with a hot pad.*
- *Place mats will help to protect the finish from dishes and silverware, and coasters will help protect your furniture from moisture.*



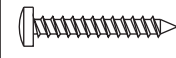
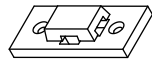

Enjoy your Real Wood Furniture!

HARDWARE LIST

A1	 4,0x30	44 + 2
A4	 3,5x14	24 + 2
A9	 3,5x16	55 + 2
A16	 4,0x40	09 + 1
A18	 4,0x25	04 + 1
A25	 M4x25	07 + 1
C2	 8,0x25	57 + 2
D4	 metal	16 + 1
D10		02
D21		04 + 1
D27		05
E10	 Wardrobe RIGHT 450mm - 17 3/4"	02
E10	 Drawer RIGHT 450mm - 17 3/4"	02
E11	 Wardrobe LEFT 450mm - 17 3/4"	02
E11	 Drawer LEFT 450mm - 17 3/4"	02

F10		09
G1	 10x10	47
G11		06
H11		07

FURNITURE ANTI-TIPPING RESTRAINT KIT

A8	 3,0x20	02 + 1
F8		02
F9		01



ATTENTION

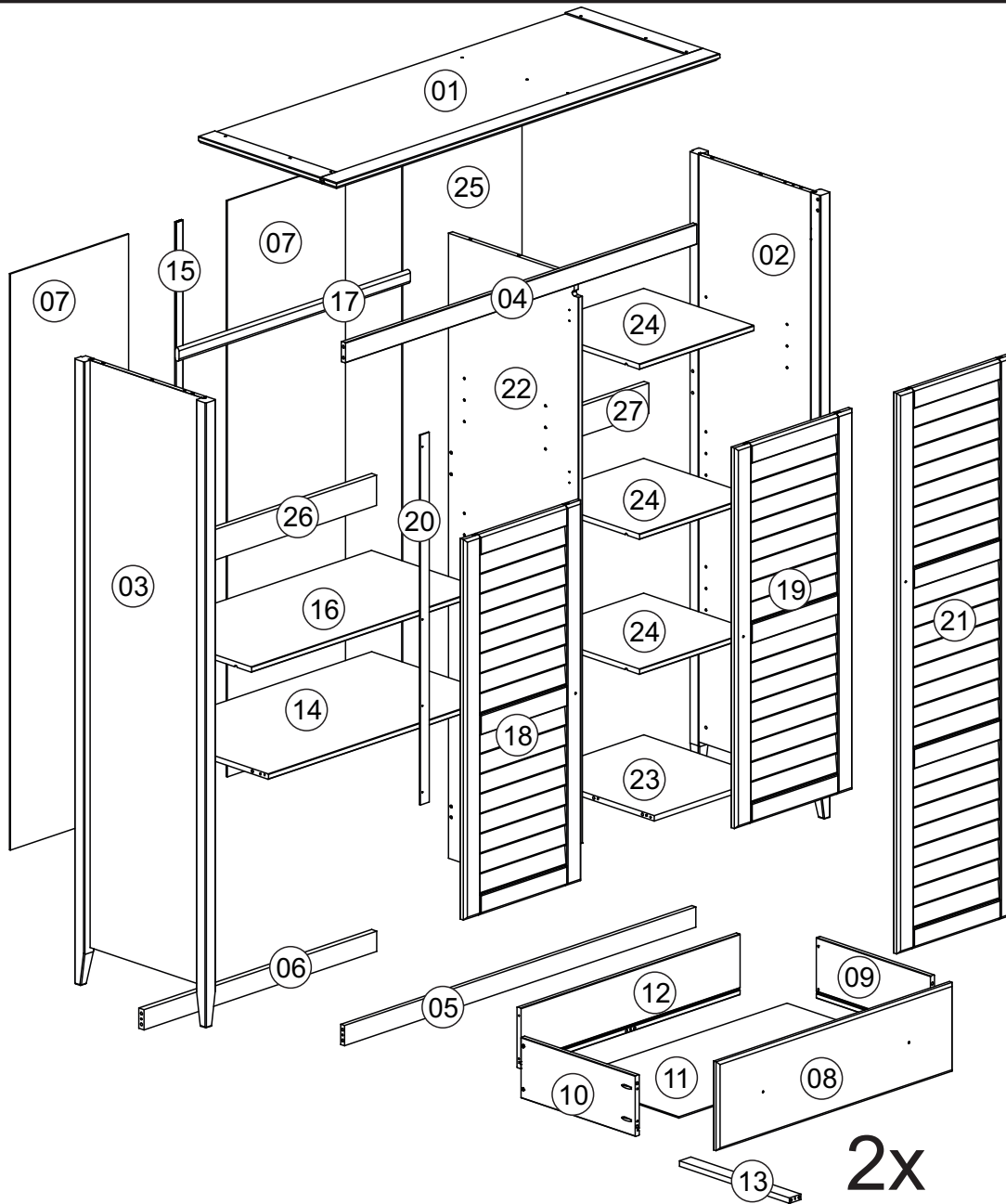
Before starting assembly please verify if the hardware set is complete.

For missing hardware please contact us at
www.grainwoodfurniture.com

WARNING:

CHOKING HAZARD

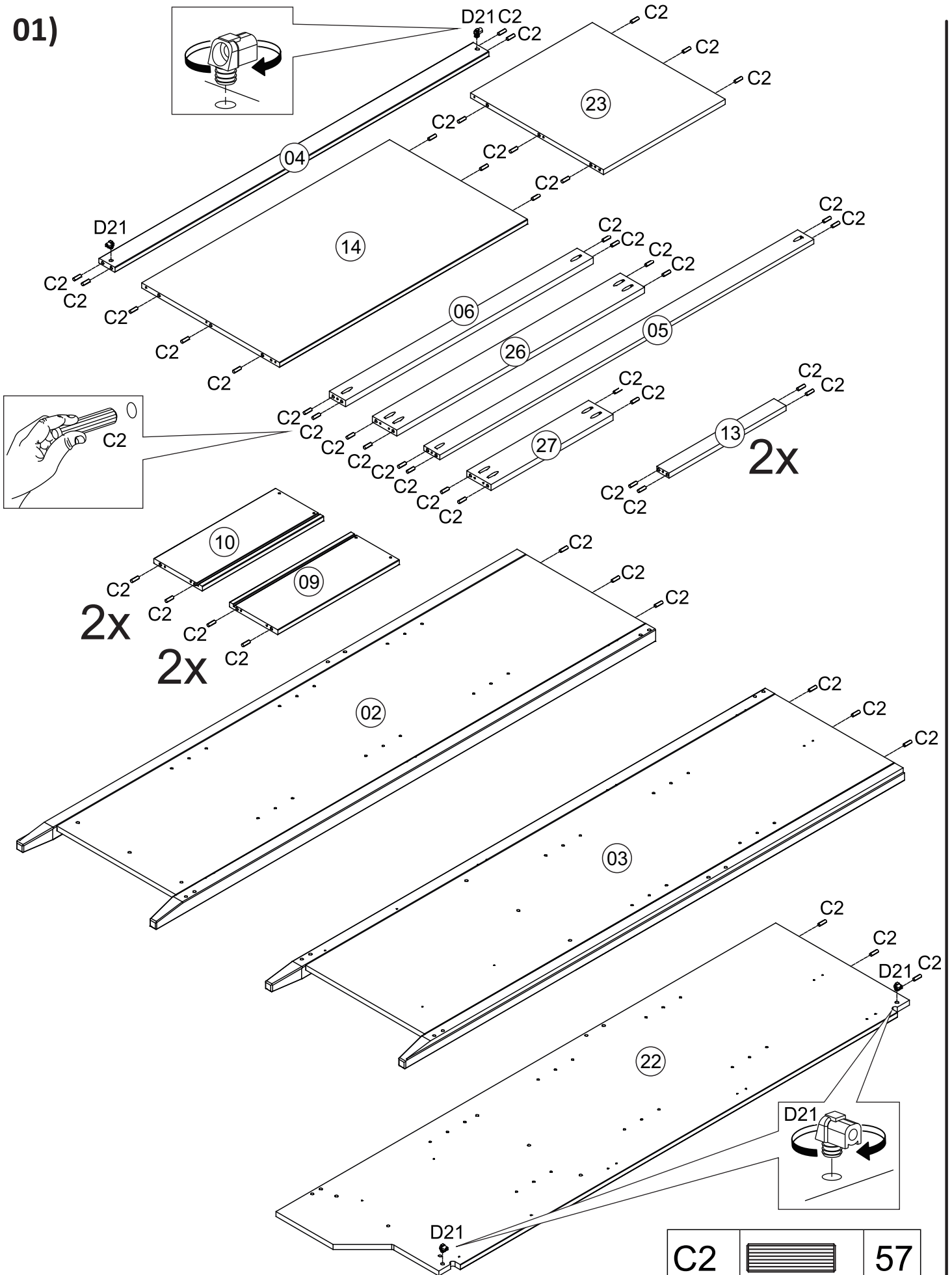
- Small Parts, not for Children.
To be Assembled by an Adult.





Parts list

Box 1			Box 2		
Part #	Description	qty	Part #	Description	qty
01	Top	1	06	Rear crosspiece	1
02	Right side	1	08	Drawer front	2
03	Left side	1	09	Drawer right side	2
04	Upper crosspiece	1	10	Drawer Left side	2
05	Lower crosspiece	1	11	Drawer bottom	2
07	Back panel	2	12	Drawer back	2
15	Profile "H"	1	13	Drawer bottom support	2
20	Door stop	1	14	Fixed shelf	1
21	Right door - tall	1	16	Wide shelf (adjustable)	1
22	Division	1	17	Hanging bar	1
25	Back panel	1	18	Left Door	1
			19	Right Door	1
			23	Base short	1
			24	Narrow shelf (adjustable)	3
			26	Long stabilizer	1
			27	Short stabilizer	1
				Hardware	1

01)

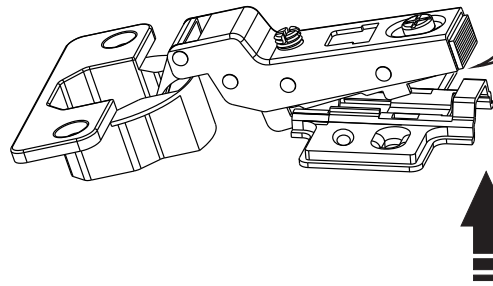
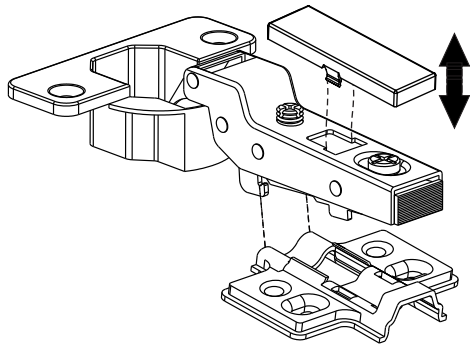


C2	 8.0x25	57
D21		04

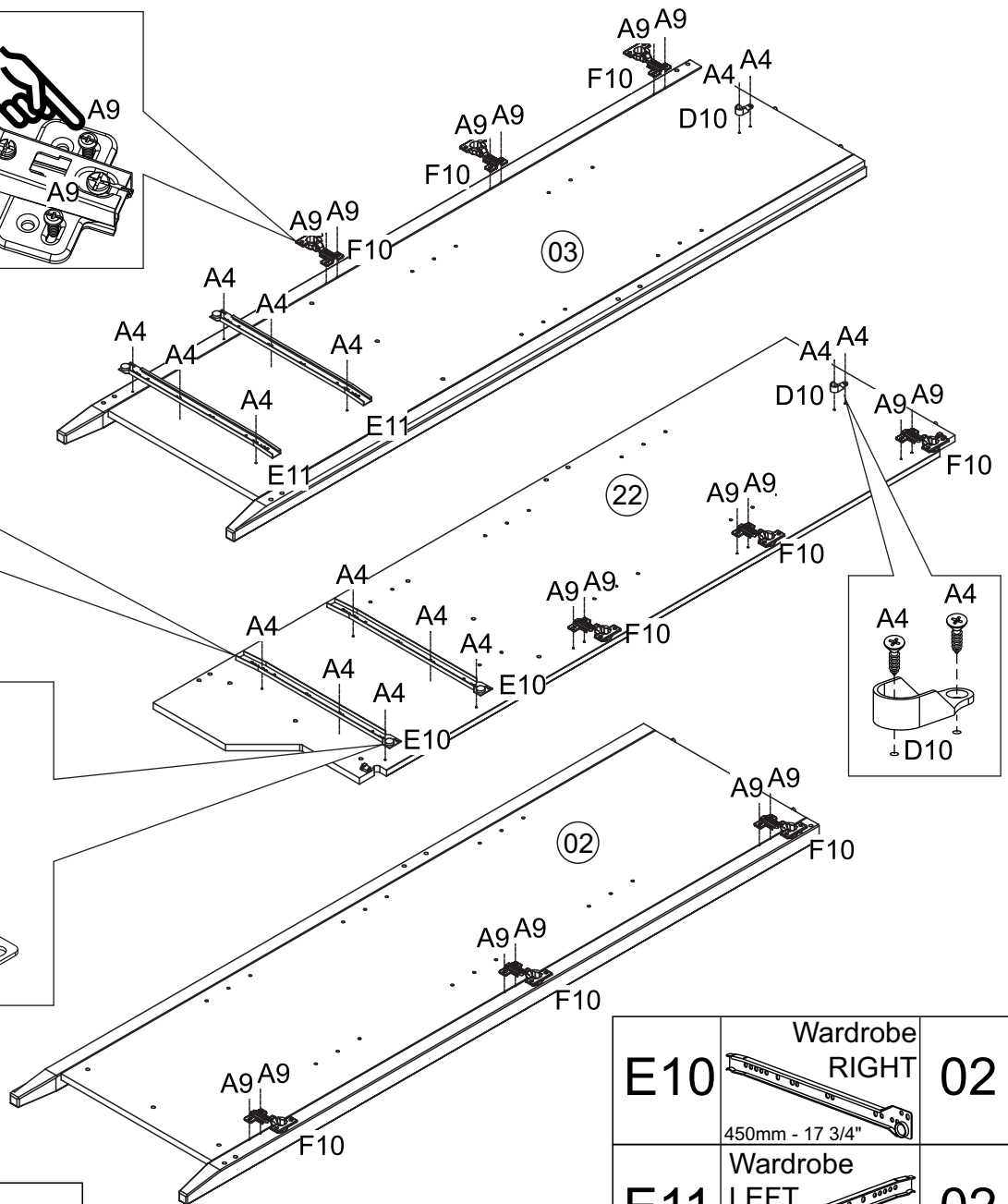
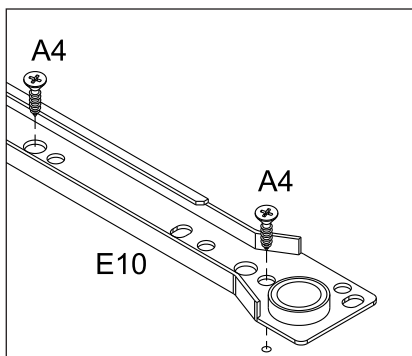
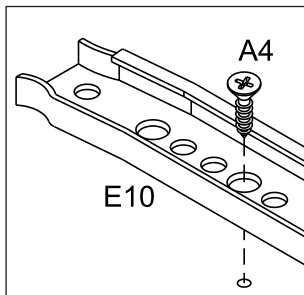
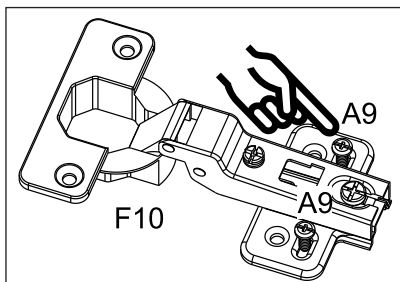
ATTENTION PLEASE!

Assemble Hinge (F10) to hinge plate if it comes separated. Push the hinge against plate until it clicks.

click!



02)

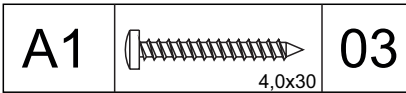
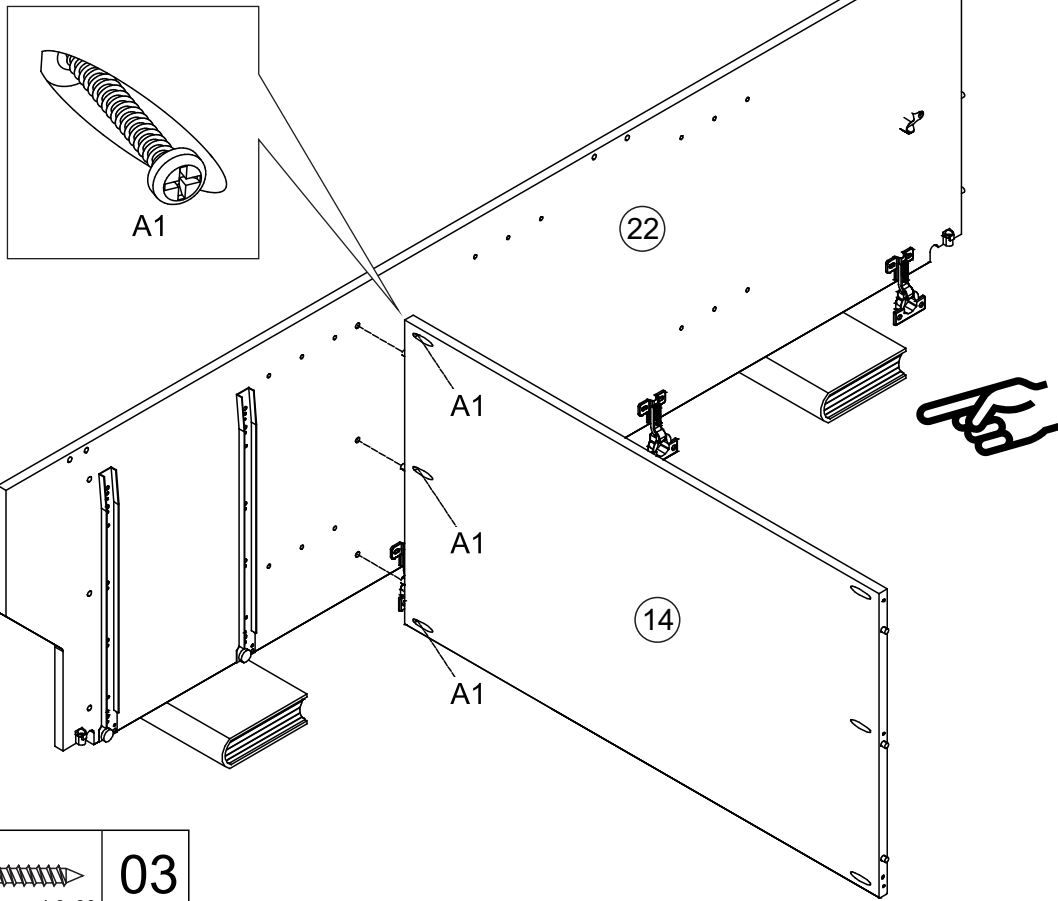


A4		16
	3,5x14	
A9		18
	3,5x16	

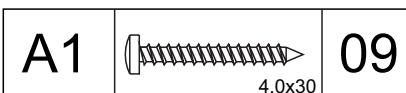
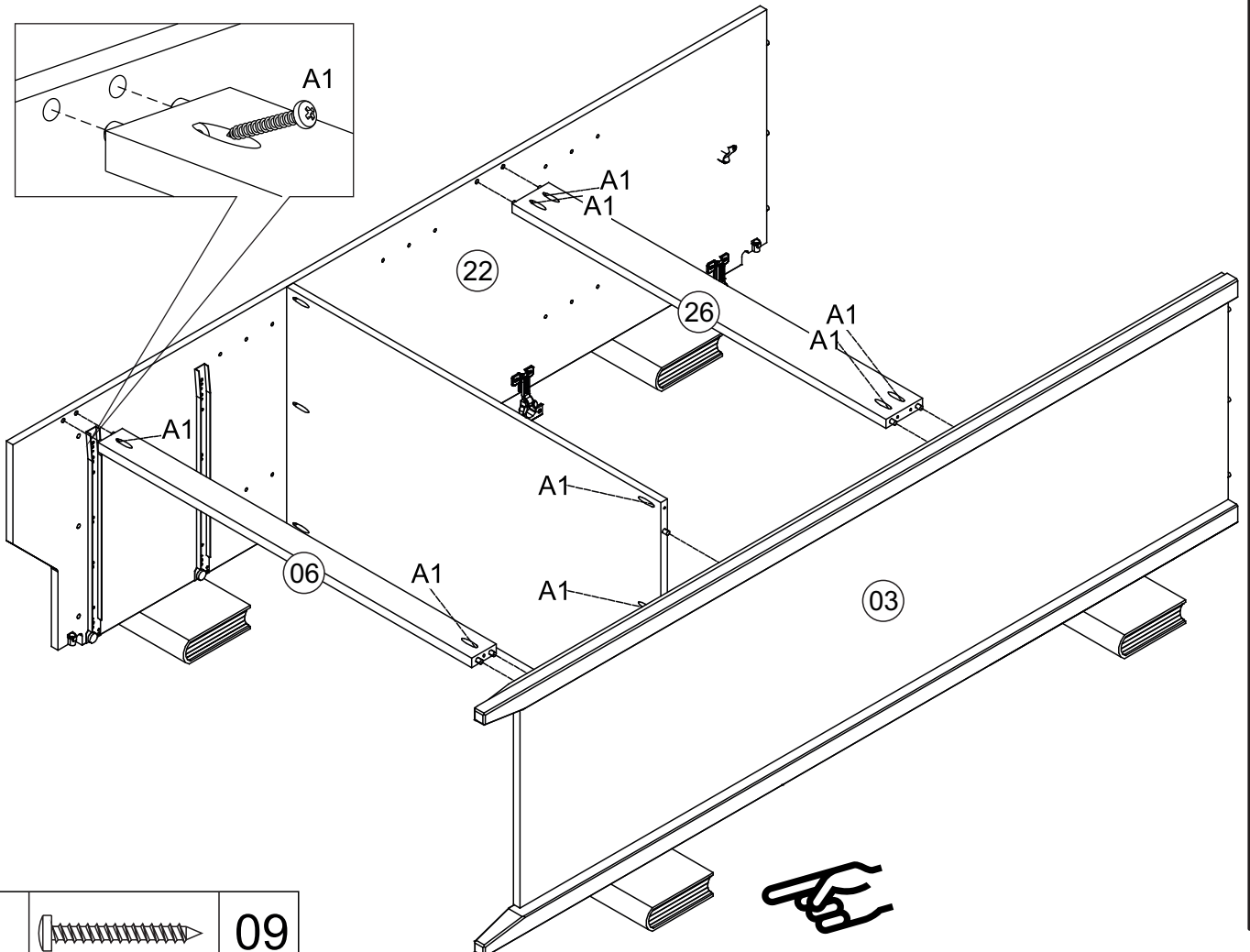
D10		02
-----	--	----

E10	Wardrobe RIGHT 	02
	450mm - 17 3/4"	
E11	Wardrobe LEFT 	02
	450mm - 17 3/4"	
F10		09

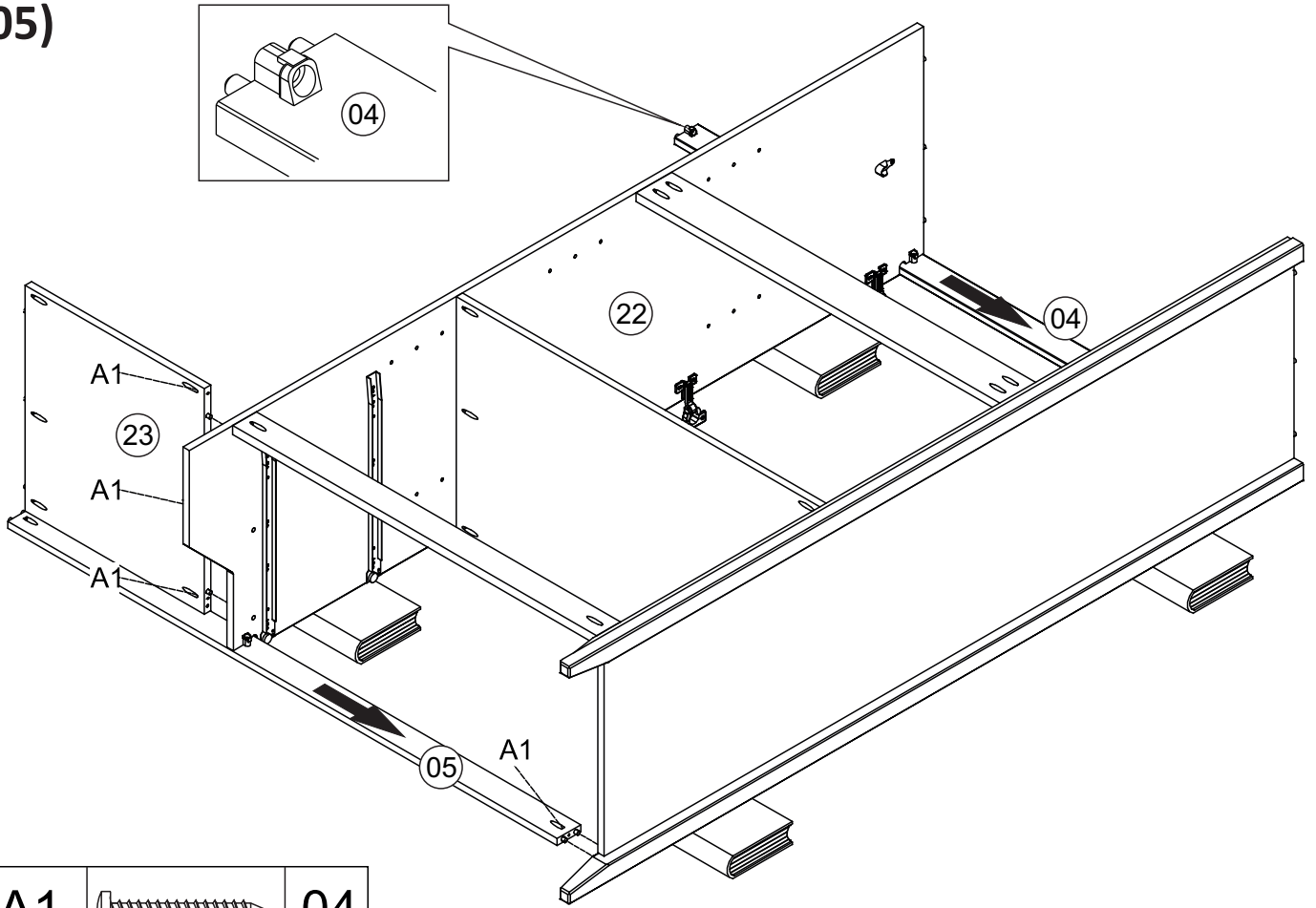
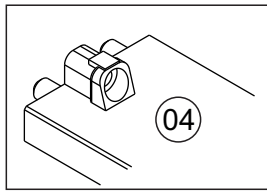
03)




04)

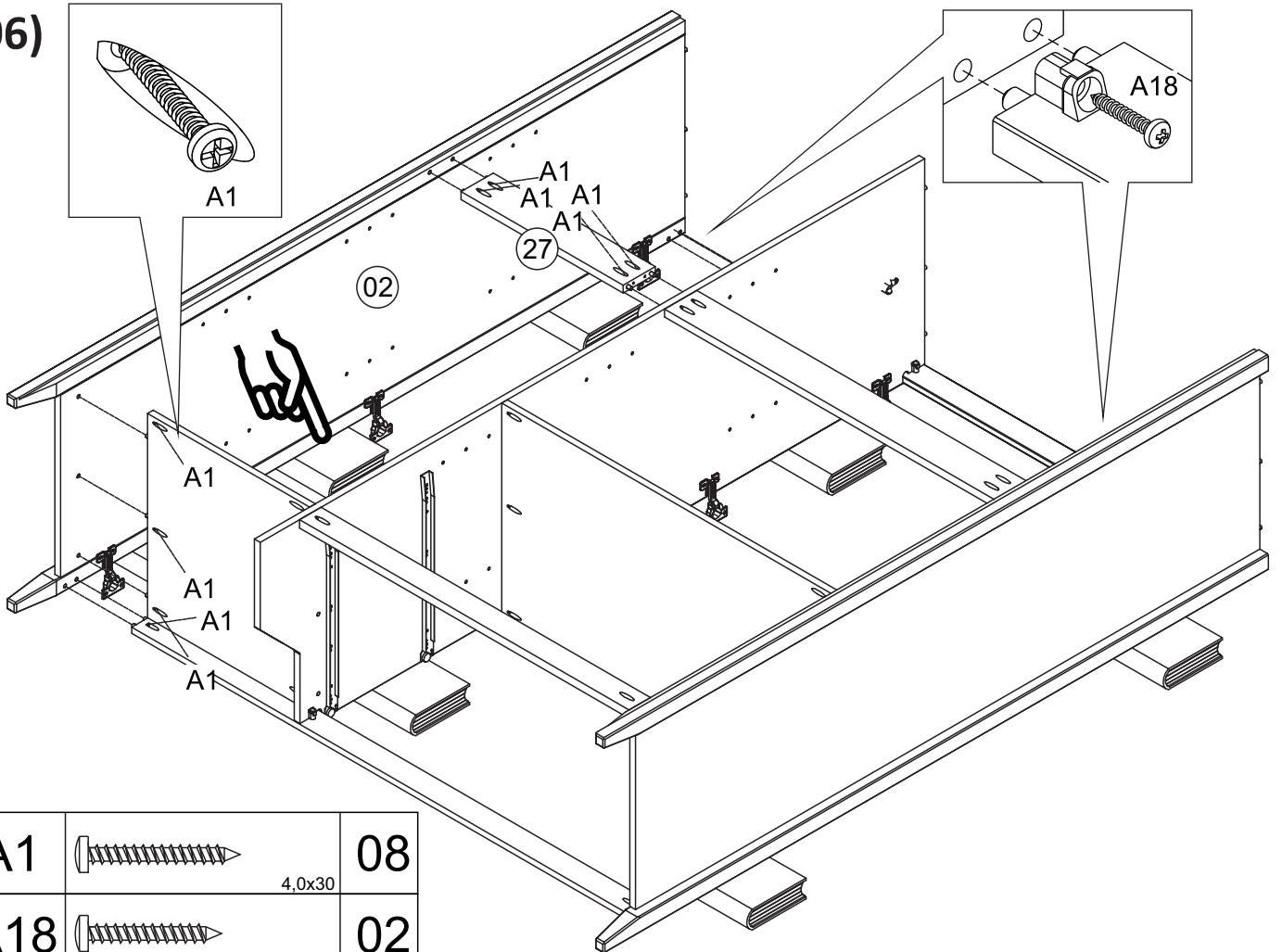
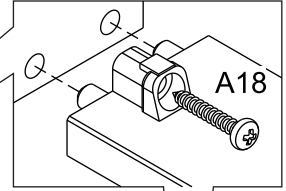
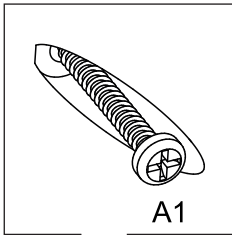



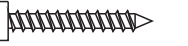
05)



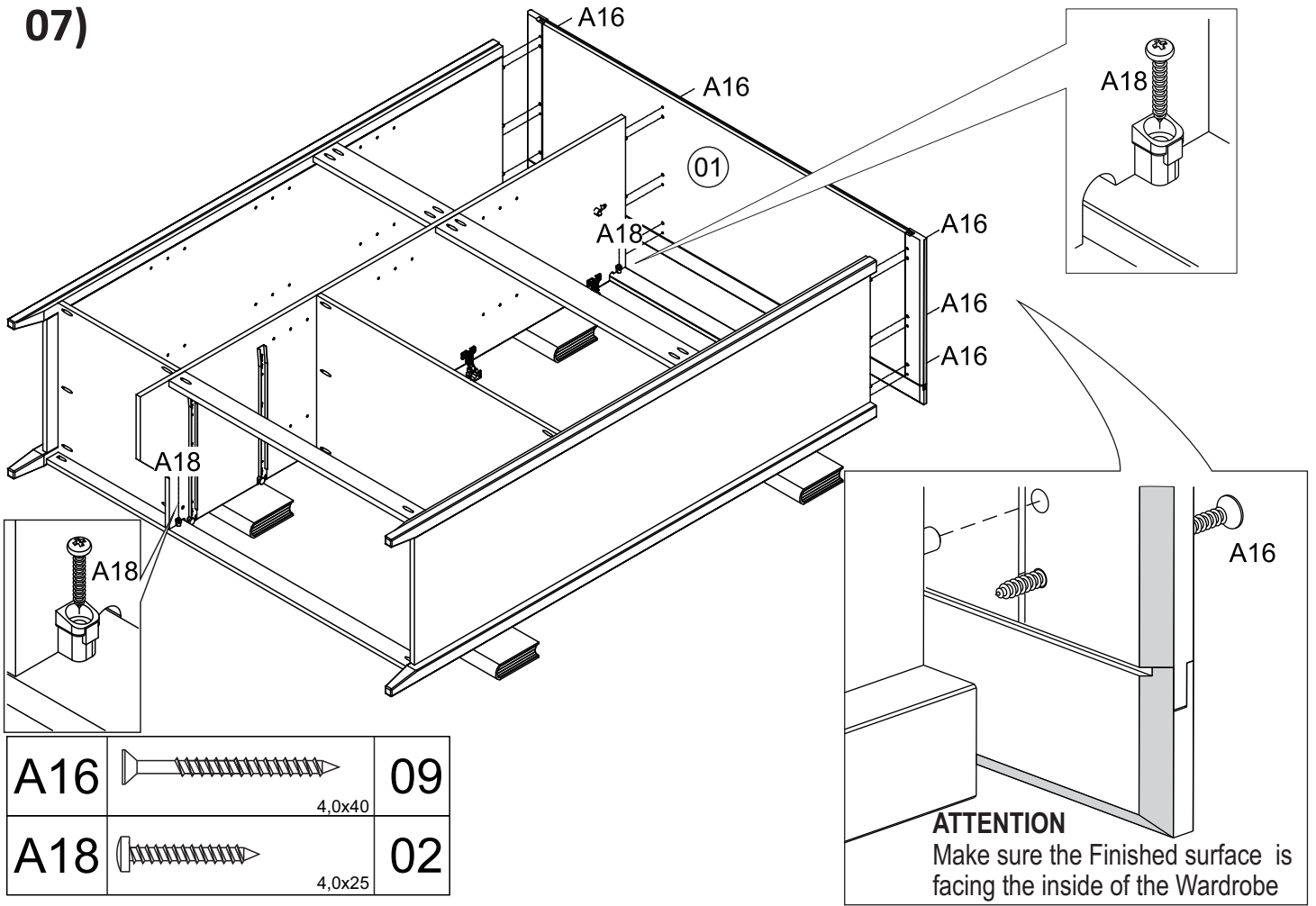
A1		04
	4,0x30	

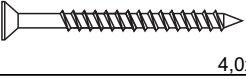
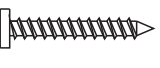
06)



A1		08
	4,0x30	
A18		02
	4,0x25	

07)

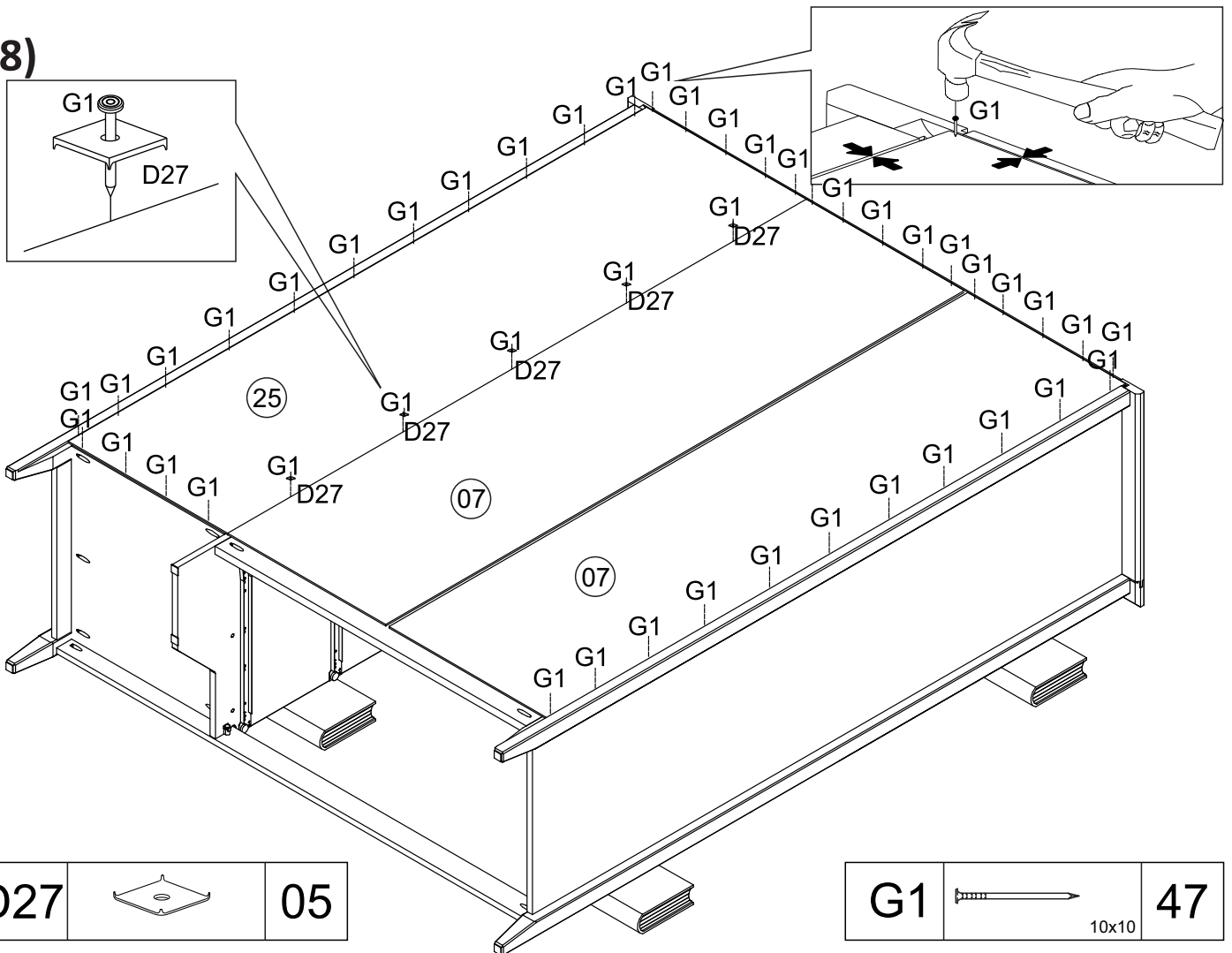



A16		09
A18		02


ATTENTION

Make sure the Finished surface is facing the inside of the Wardrobe

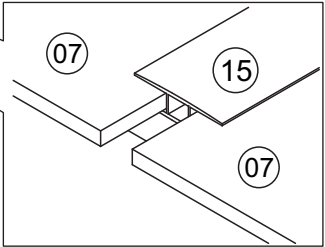
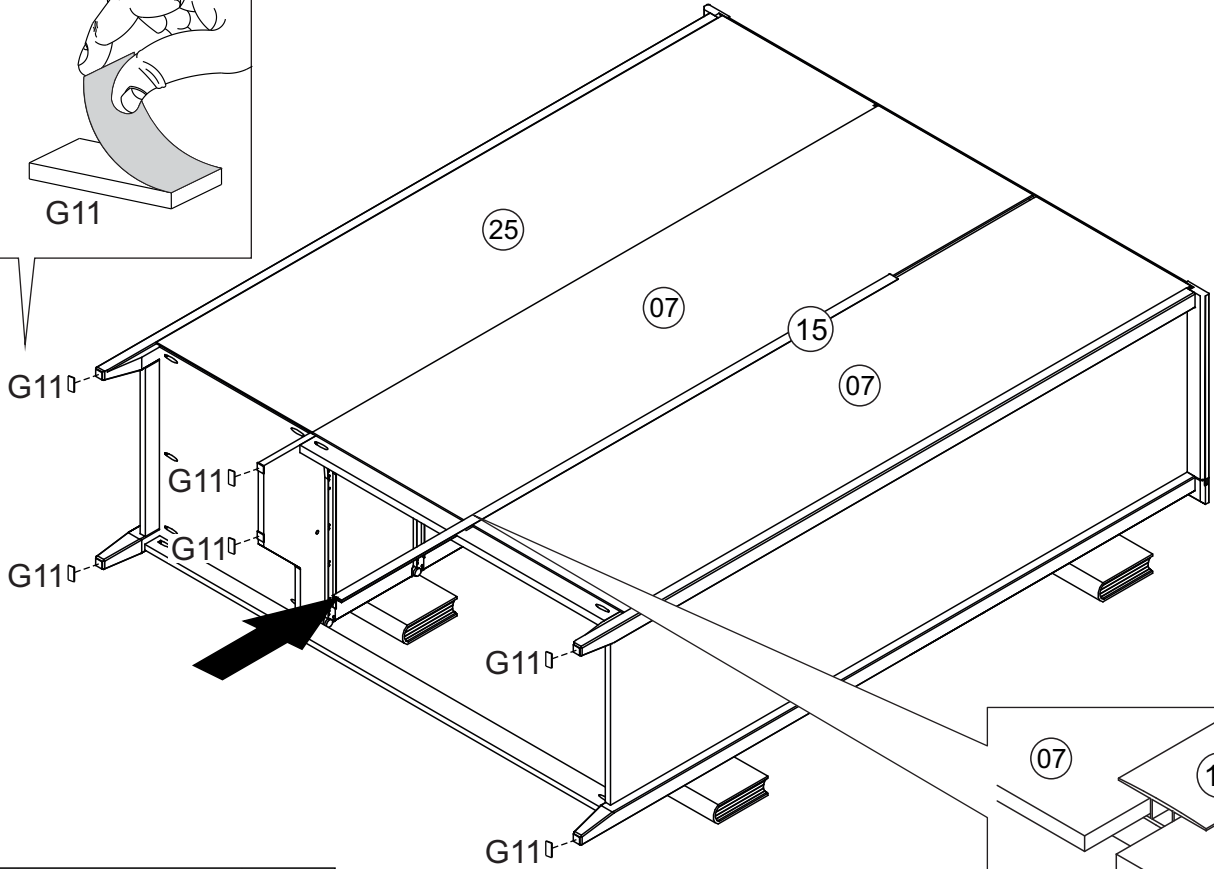
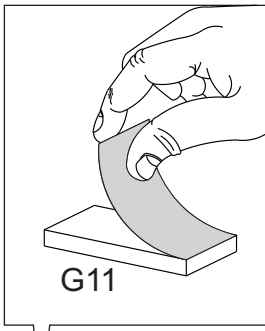
08)

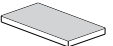


D27		05
-----	---	----

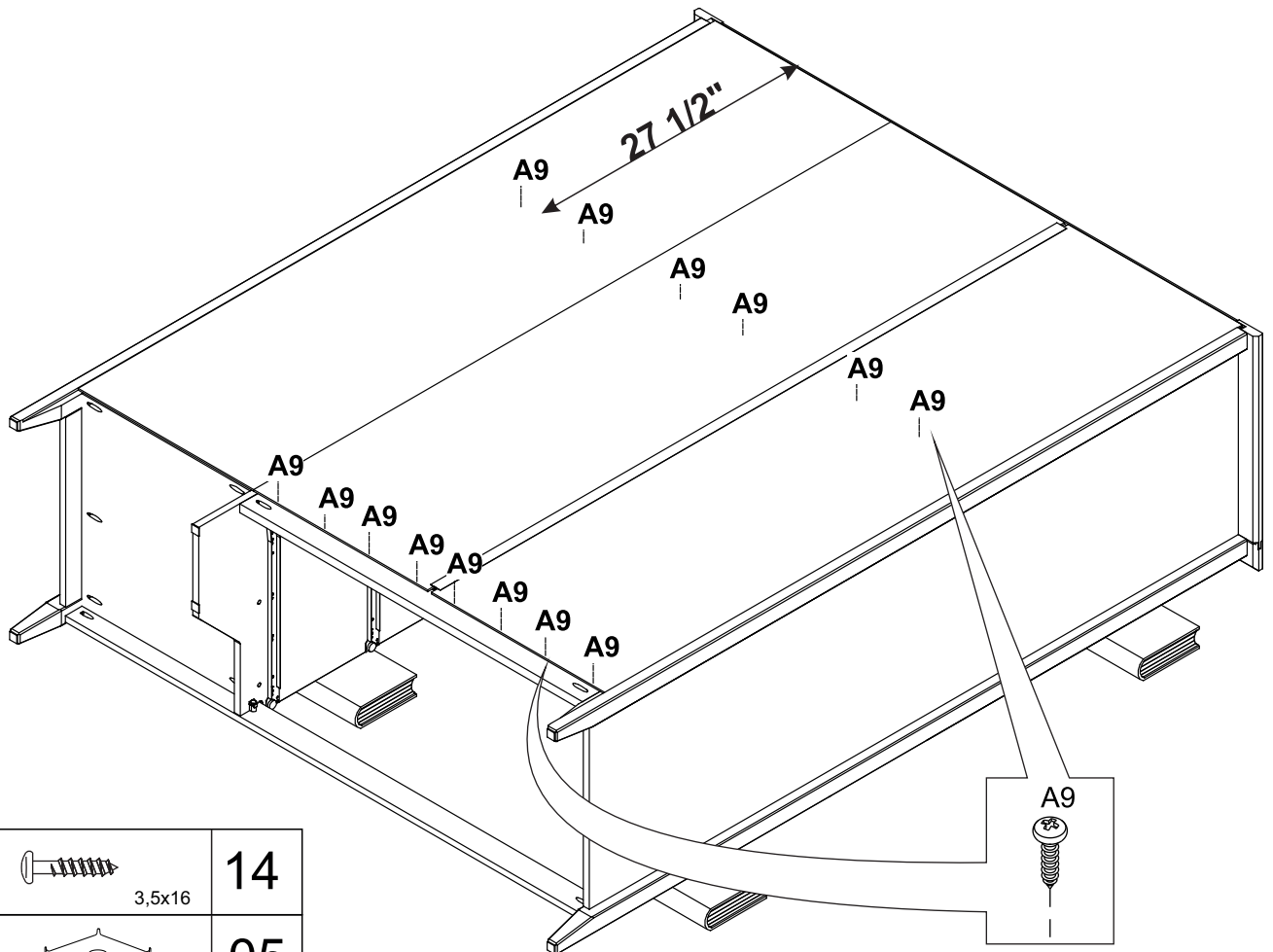
G1		47
----	---	----

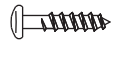

09)



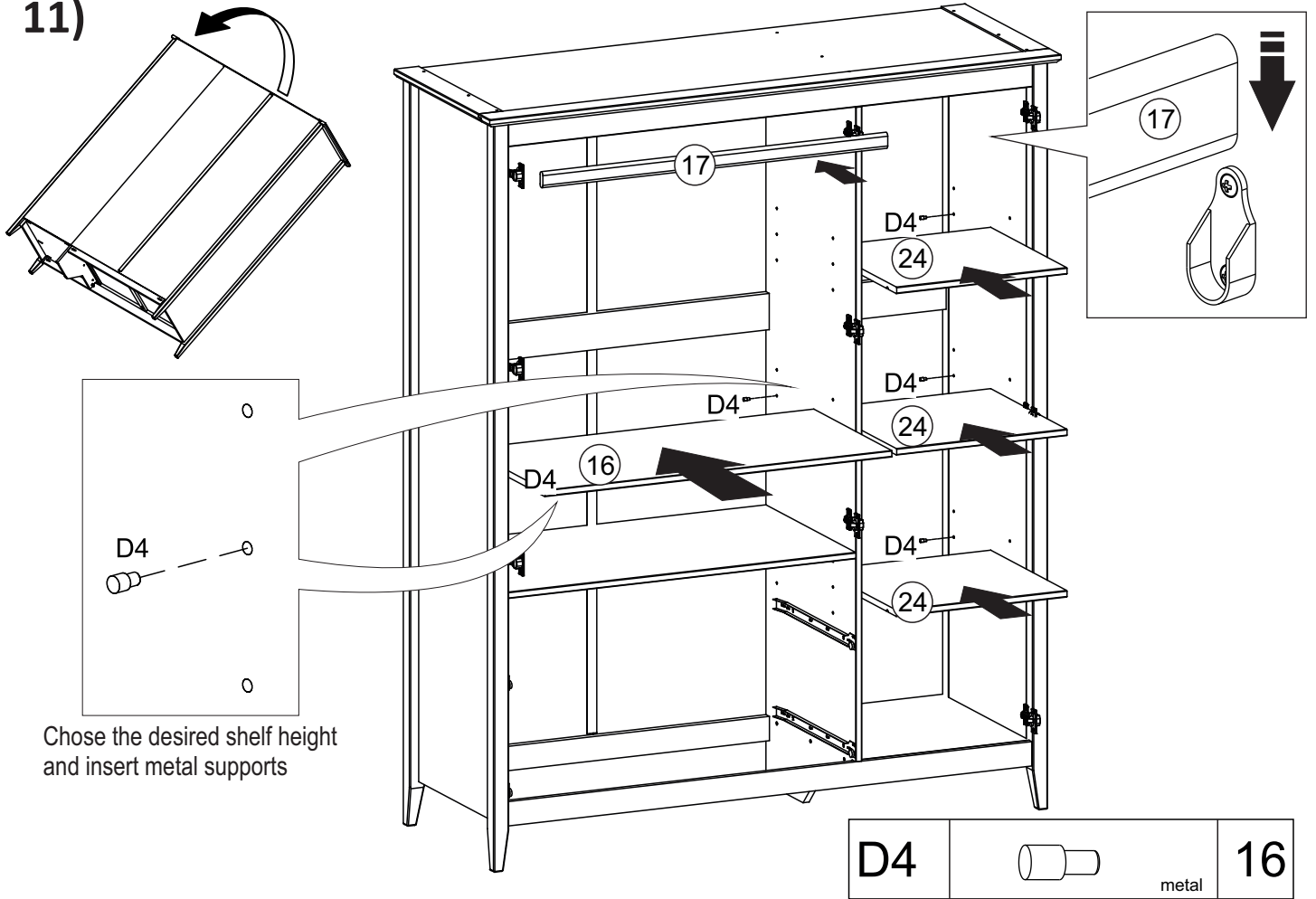
G11		06
-----	---	----

10)

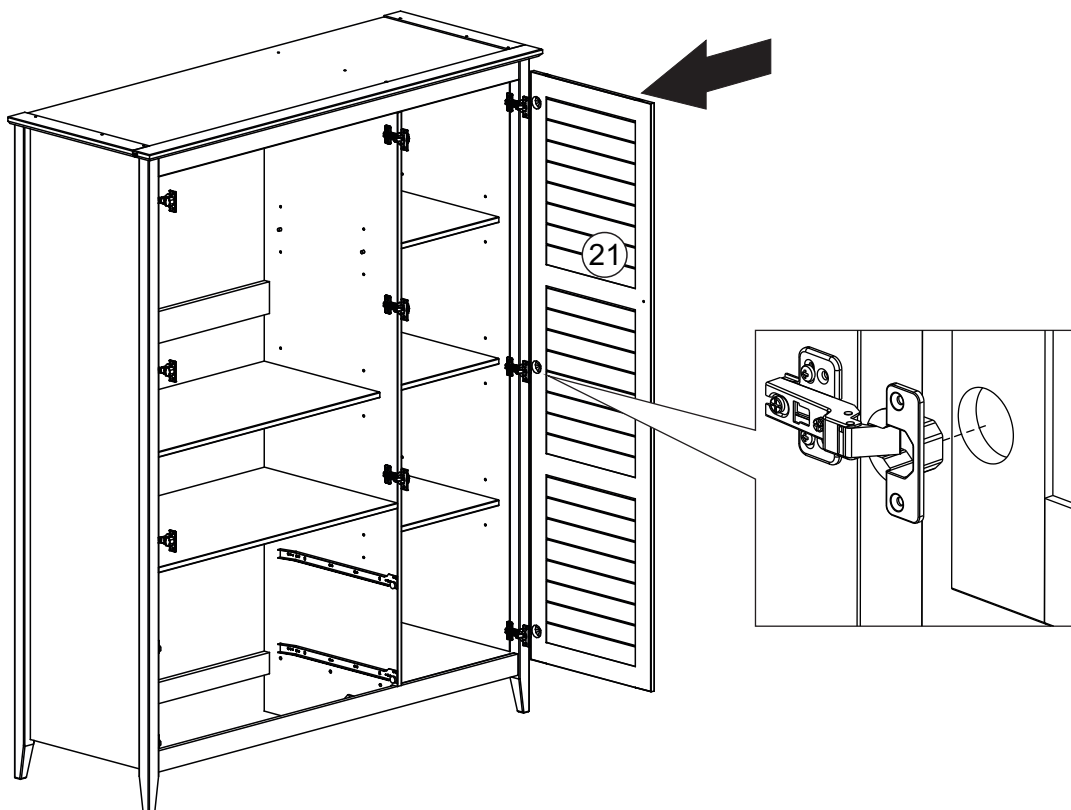


A9	 3,5x16	14
D27		05

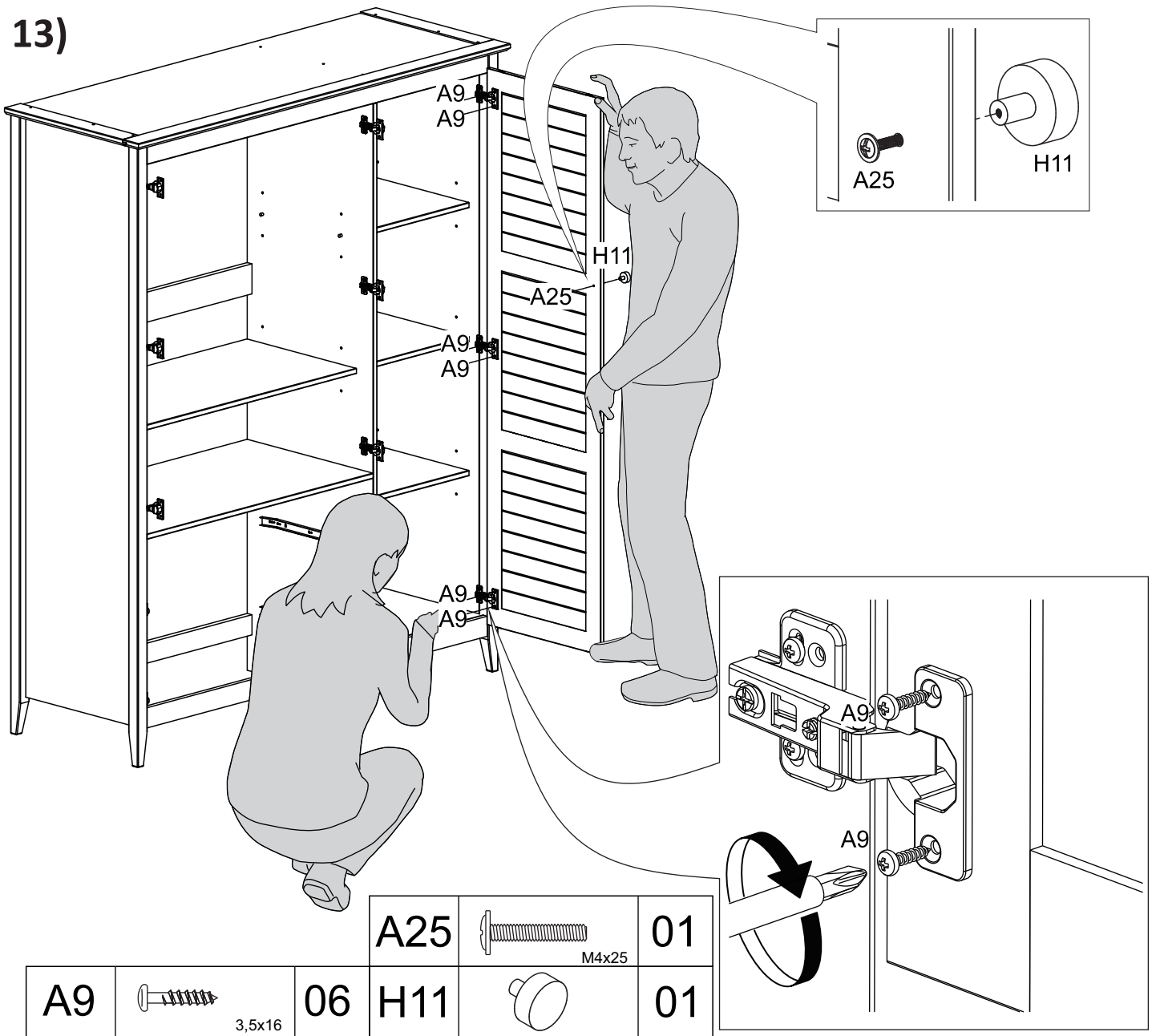
11)



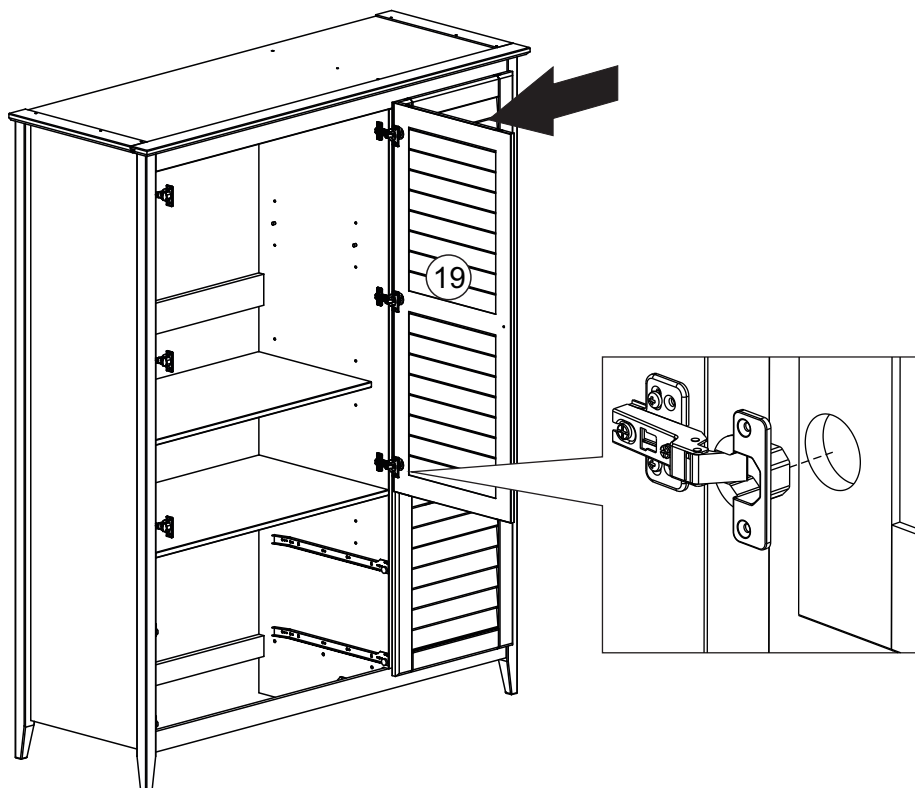
12)



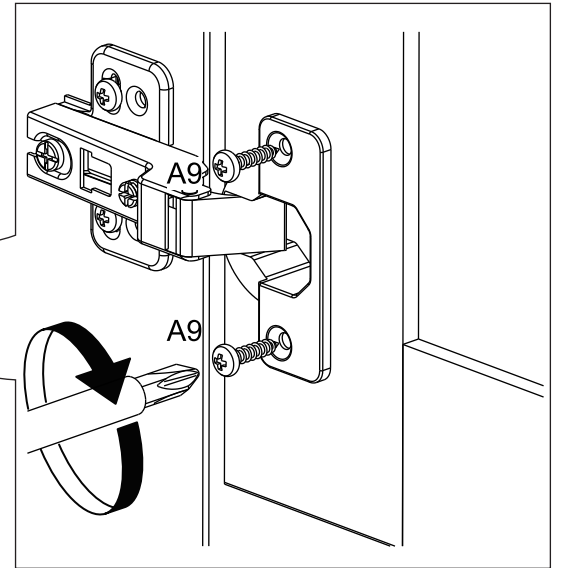
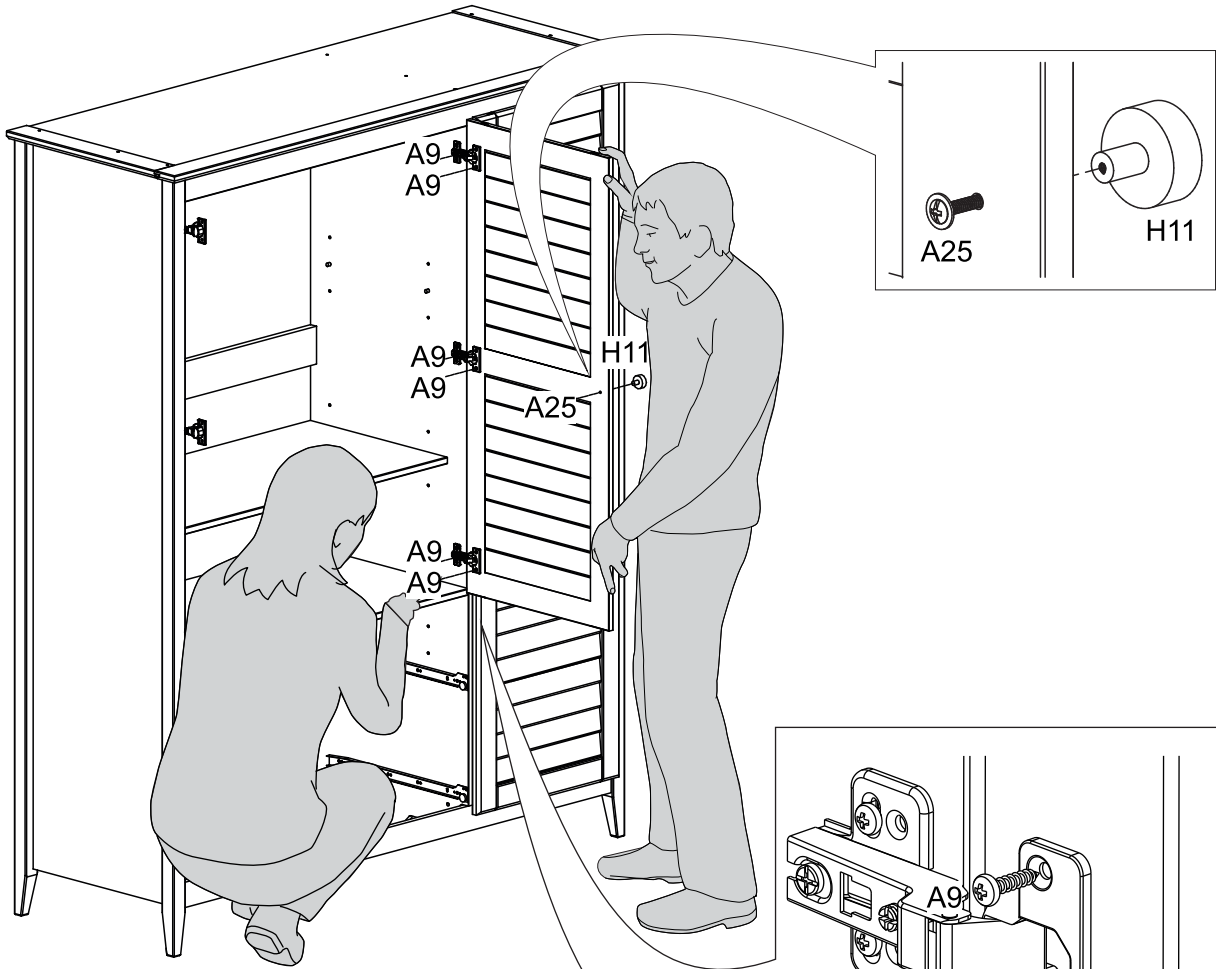
13)






14)

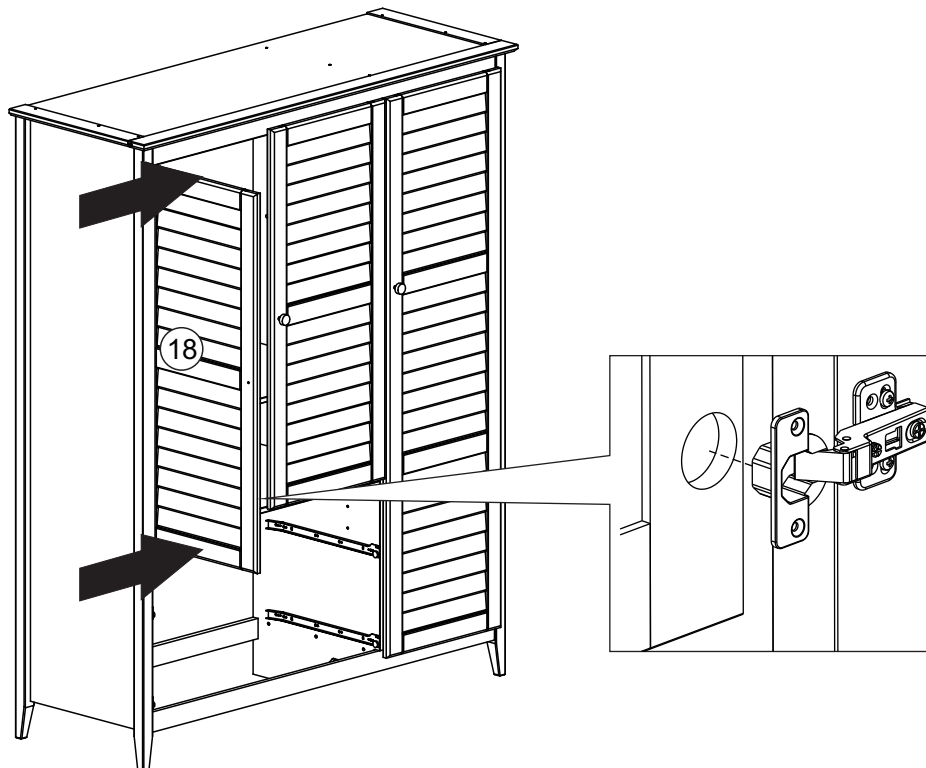


15)

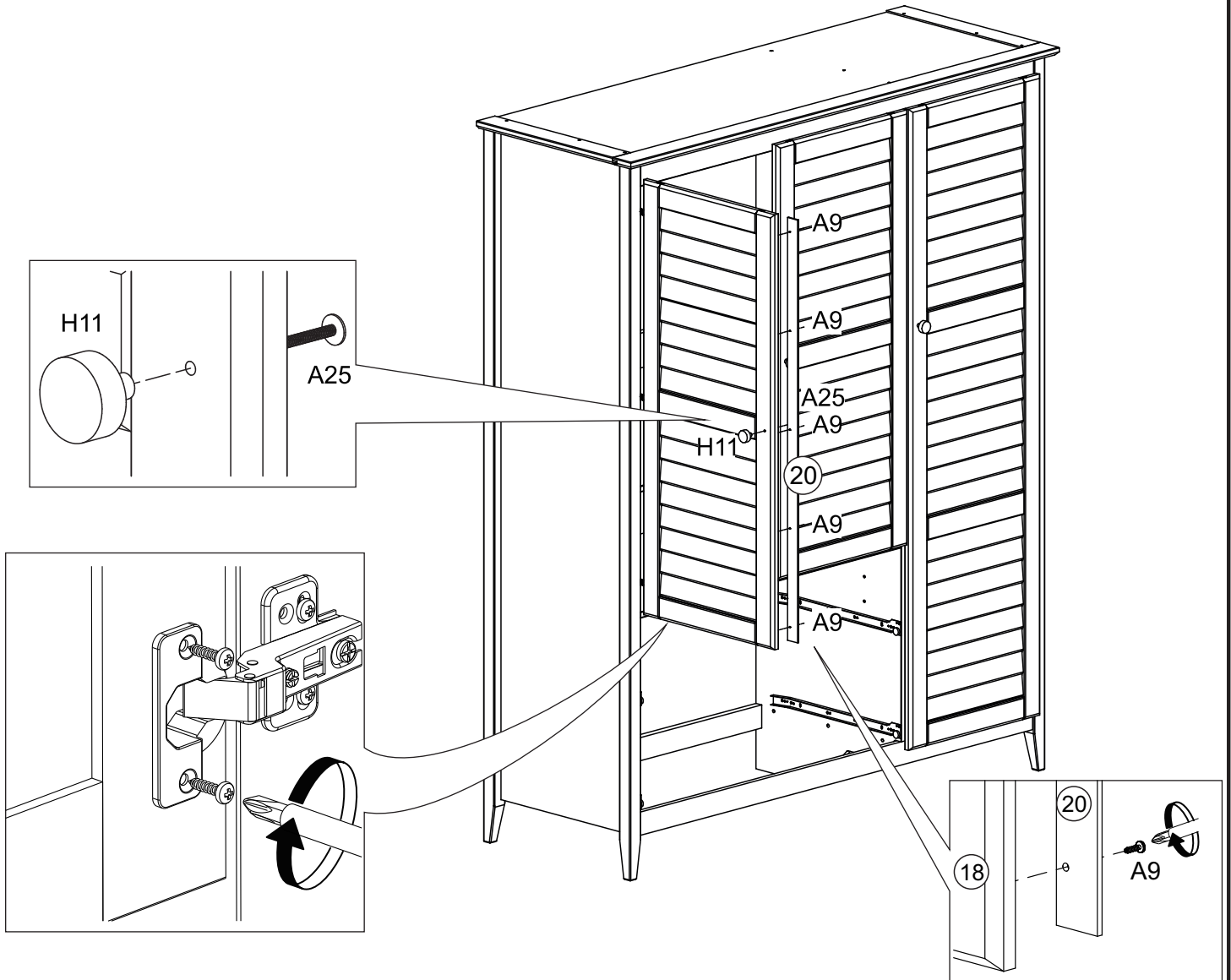





A9	 3,5x16	06	A25	 M4x25	01
			H11		01

16)

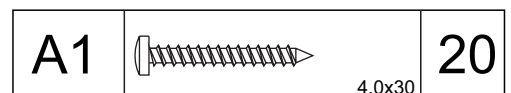
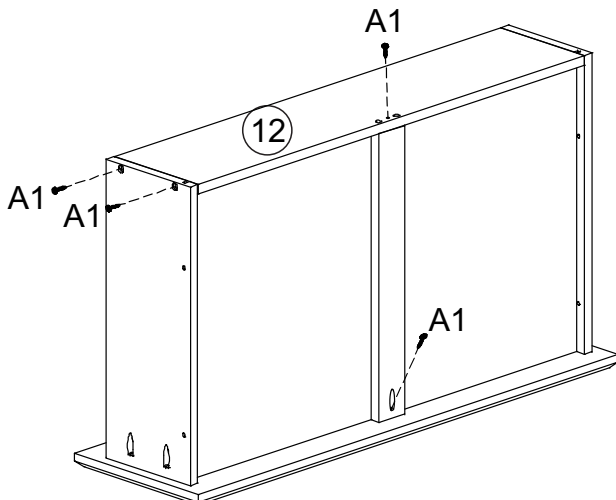
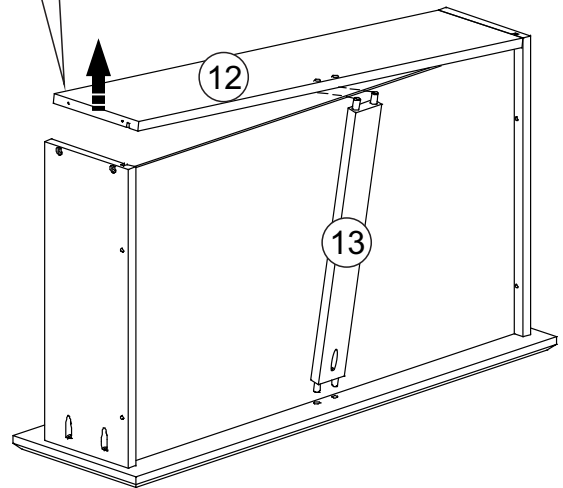
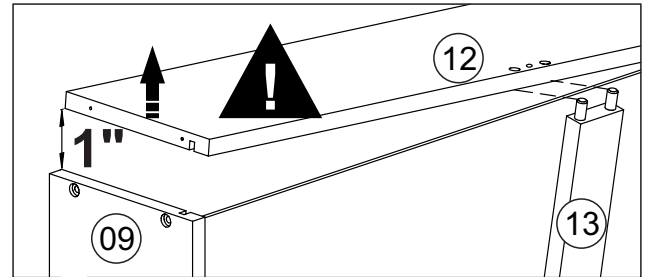
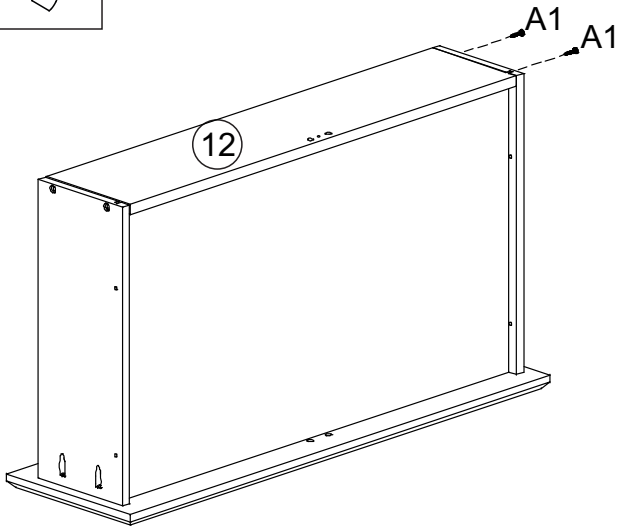
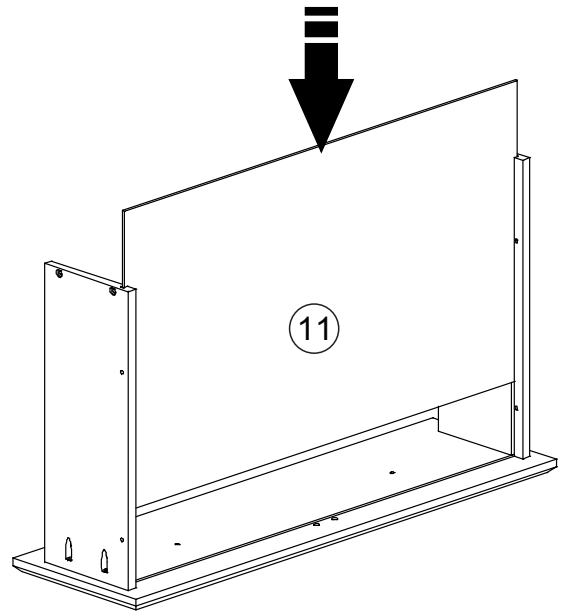
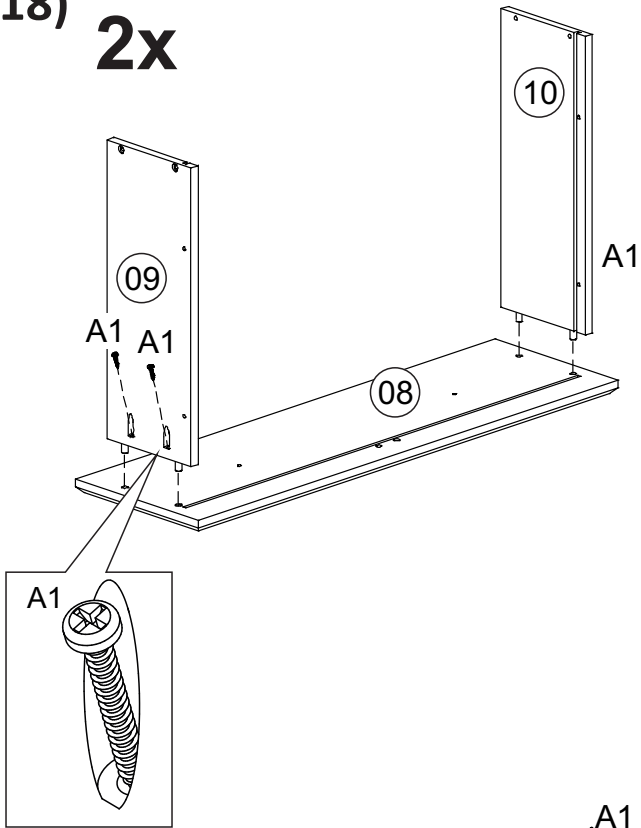


17)


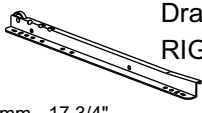
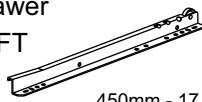


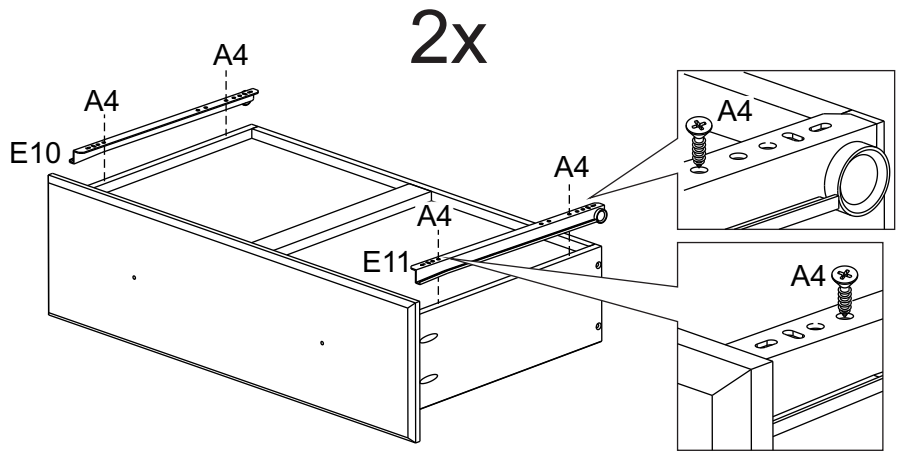
A9	 3,5x16	11	A25	 M4x25	01	H11		01
----	---	----	-----	--	----	-----	---	----

18) **2x**





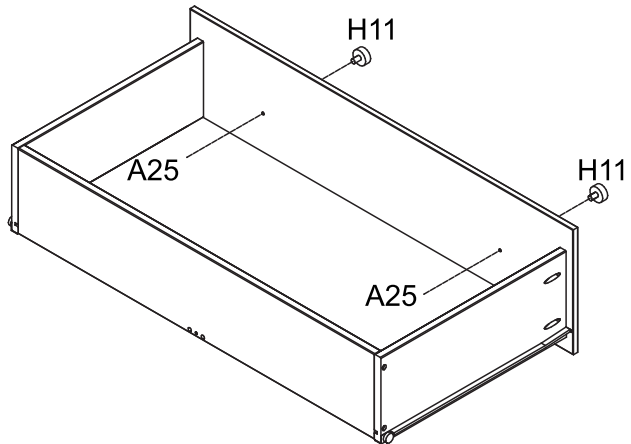
19) FLIP THE ASSEMBLED DRAWER UPSIDE DOWN TO INSTALL GLIDES

A4	 3.5x14	08
E10	 Drawer RIGHT 450mm - 17 3/4"	02
E11	 Drawer LEFT 450mm - 17 3/4"	02

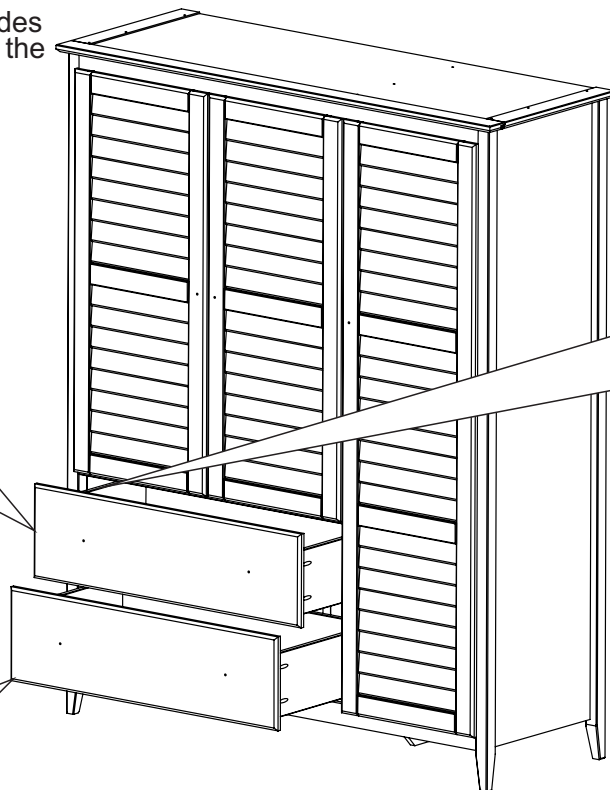
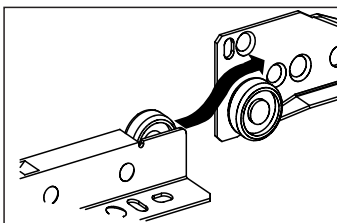
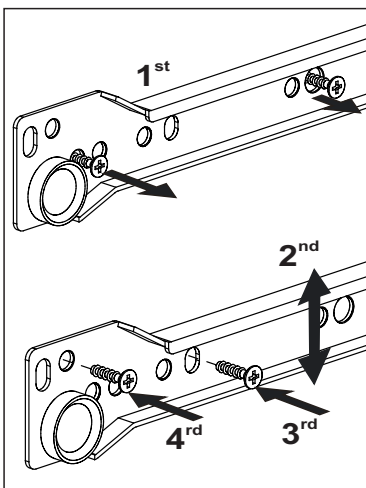


20) **2x**

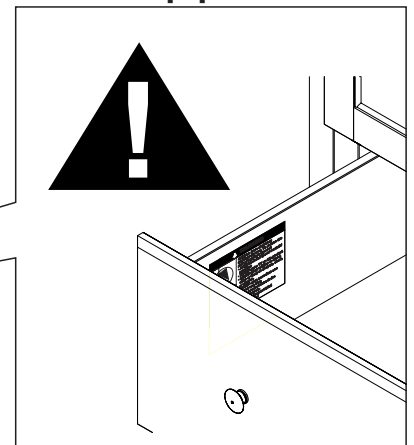
A25	 M4x25	04
H11		04



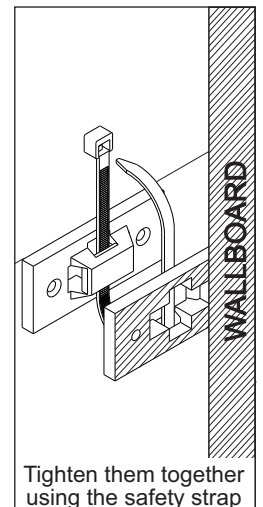
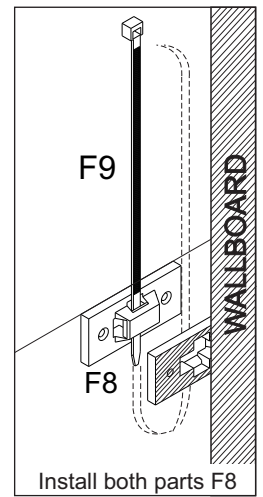
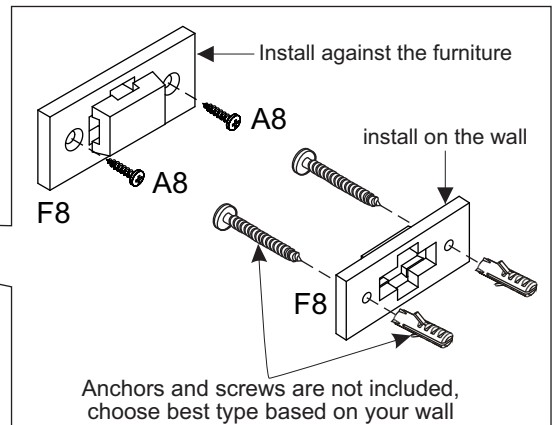
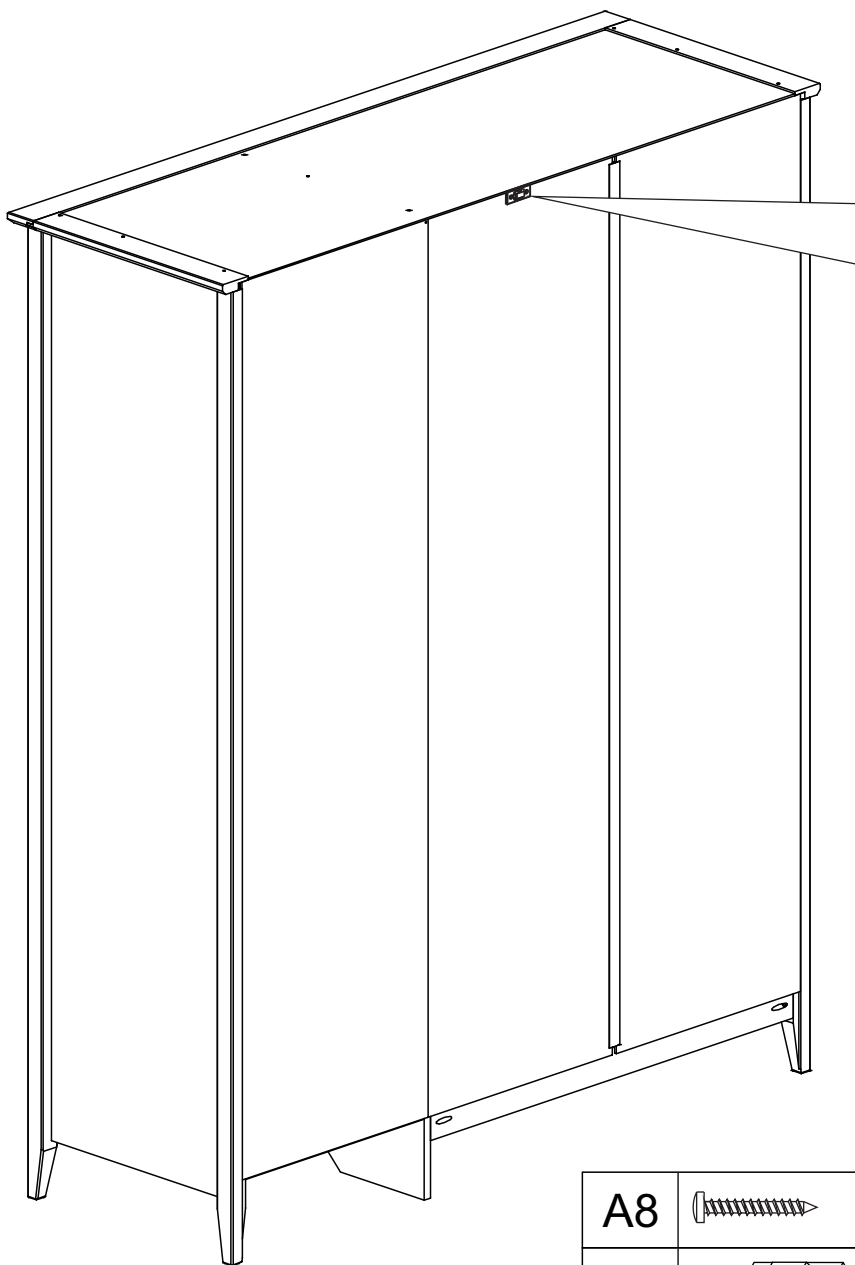
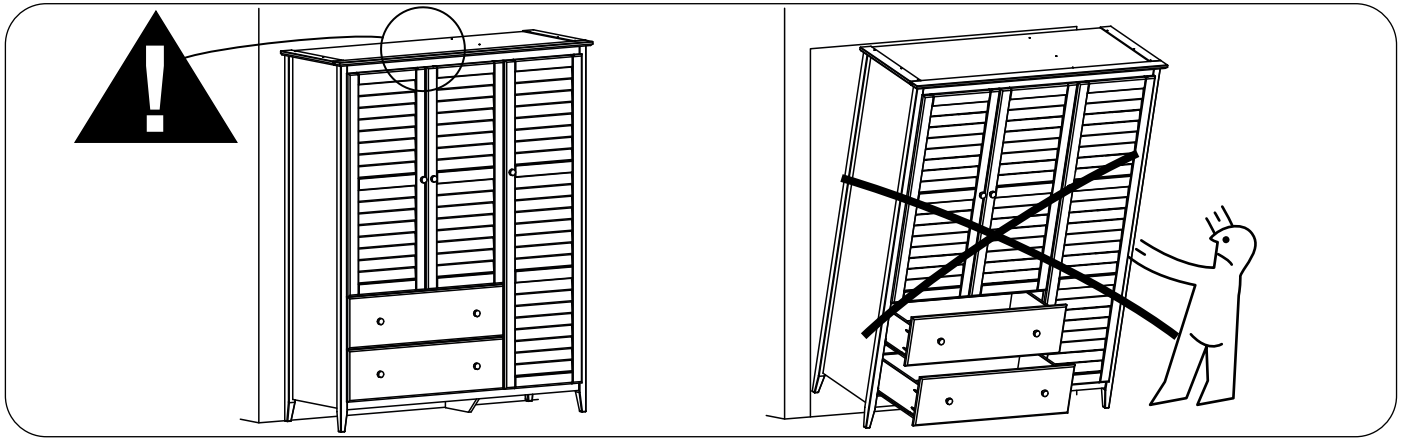
21) If fine tuning on the glides is needed please follow the steps below


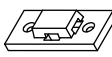



Place the labeled drawer on the top position



23) FURNITURE ANTI-TIPPING RESTRAINT KIT



A8	 3.0x20	02
F8		02
F9		01

