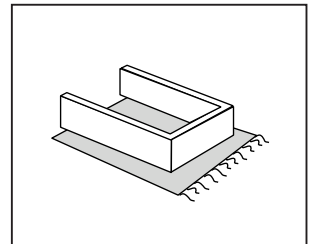
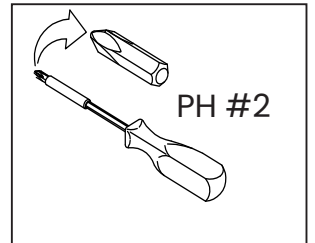
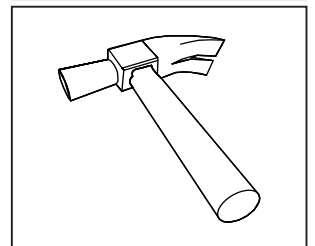
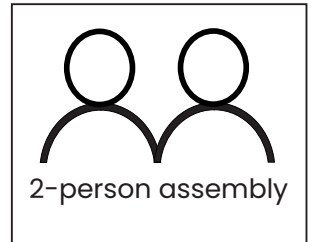
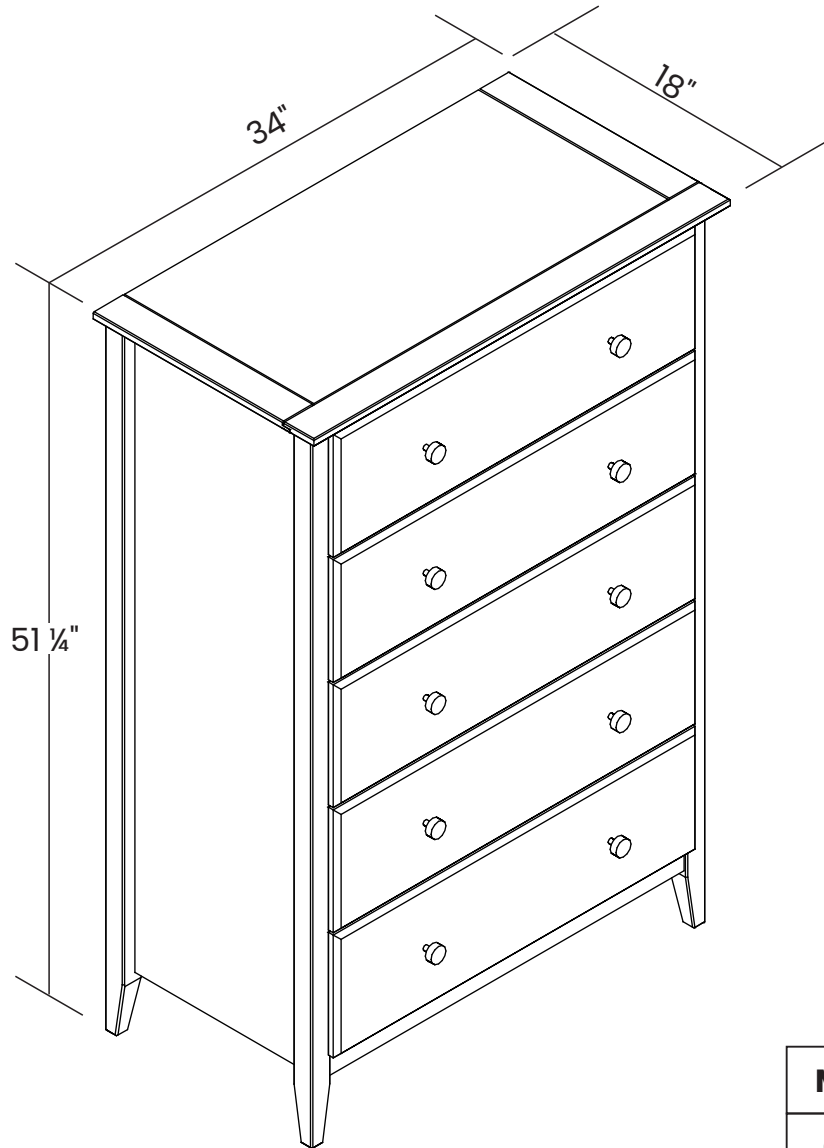


Assembly Instructions



Model #	Finish
GP0703	Brushed White
GP0716	Brushed Driftwood
GP0740	Brushed Grey

Thank you for choosing Grain Wood Furniture, it is an honor to be in your home!
 If you have any questions, feedback, or need replacement parts please contact us at:
grainwoodfurniture.com/help or support@grainwoodfurniture.com



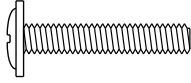

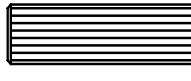
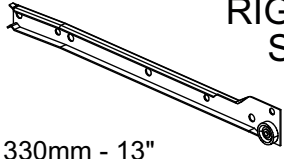
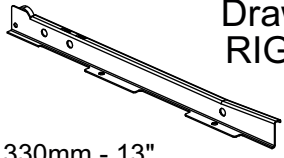
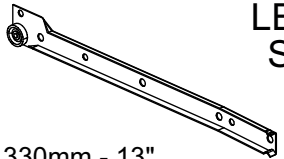
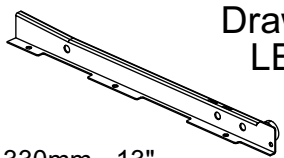
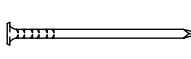
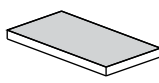
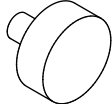
Greenport Collection
5-Drawer Chest

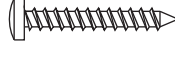
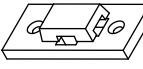

GrainWood
 FURNITURE.COM

PLEASE READ BELOW BEFORE BEGINNING ASSEMBLY

- Enlist help from a friend or family member as most items require two people for proper assembly.
- Choose a spacious, open area near where the piece will be located once assembled. It is easier to move parts than to relocate the furniture after it is fully assembled.
- Do not throw away packaging material until assembly is complete.
- Assemble the item on a soft surface, such as cardboard or an old blanket in order to protect the finish from possible dents or scratches.
- Lay out the parts in order and count them twice. In case any parts are missing or damaged, document the problem with pictures and contact support so we can make it right.
- Solid wood furniture may present imperfections such as wood knots, minor splits or cracks which are a natural aspect of the material. Whenever stability of the furniture is not compromised, we recommend customers perform cosmetic touch-ups with wax crayon fillers sold at all major hardware stores.
- It is best to use the tools provided in the box, such as a hex key, because they may be specially sized for the piece of furniture.
- We do not recommend the use of power drills as they can damage your furniture if not used correctly.
- Use a carpenter's square or hardcover book to check angles when assembling drawers and doors. If they are not at 90 degrees, they will not close properly.
- If you have any problems, we are here to help. Just go to grainwoodfurniture.com/help.
- See grainwoodfurniture.com/care-guide for suggestions that will help your furniture last for years.

HARDWARE LIST

A1	 4,0x30	61 + 2
A4	 3,5x14	16 + 1
A25	 M4x25	10 + 1
B31	 6,0x10	40 + 2
C2	 8,0x25	62 + 2
E13	 330mm - 13" RIGHT Side	5
E13	 330mm - 13" Drawer RIGHT	5
E14	 330mm - 13" LEFT Side	5
E14	 330mm - 13" Drawer LEFT	5
G1	 10x10	26
G11		4
H11		10

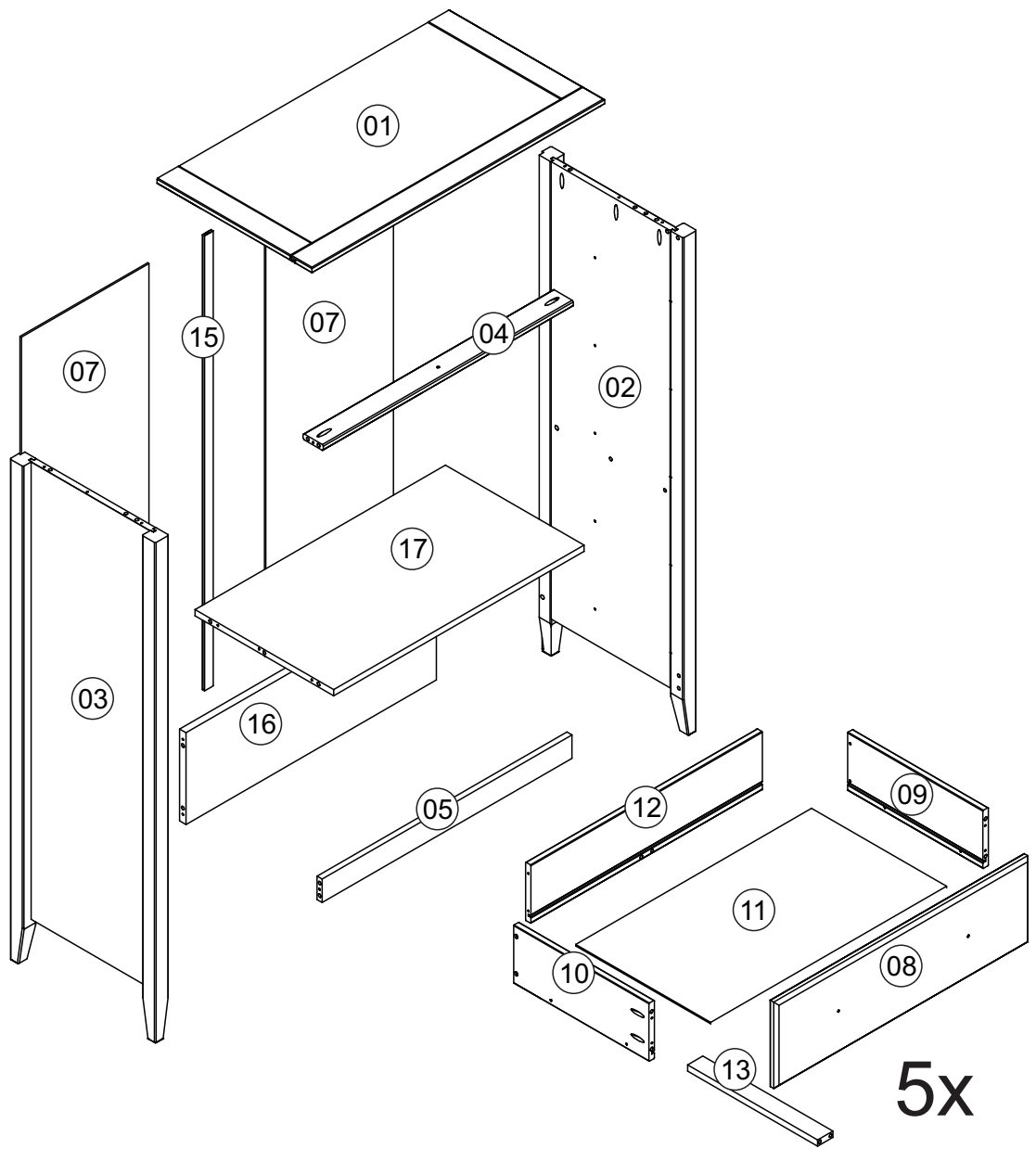
ANTI-TIPPING RESTRAINT KIT		
A8	 3,0x20	2 + 1
F8		2
F9		1

ATTENTION

Before starting assembly please verify the hardware set is complete.

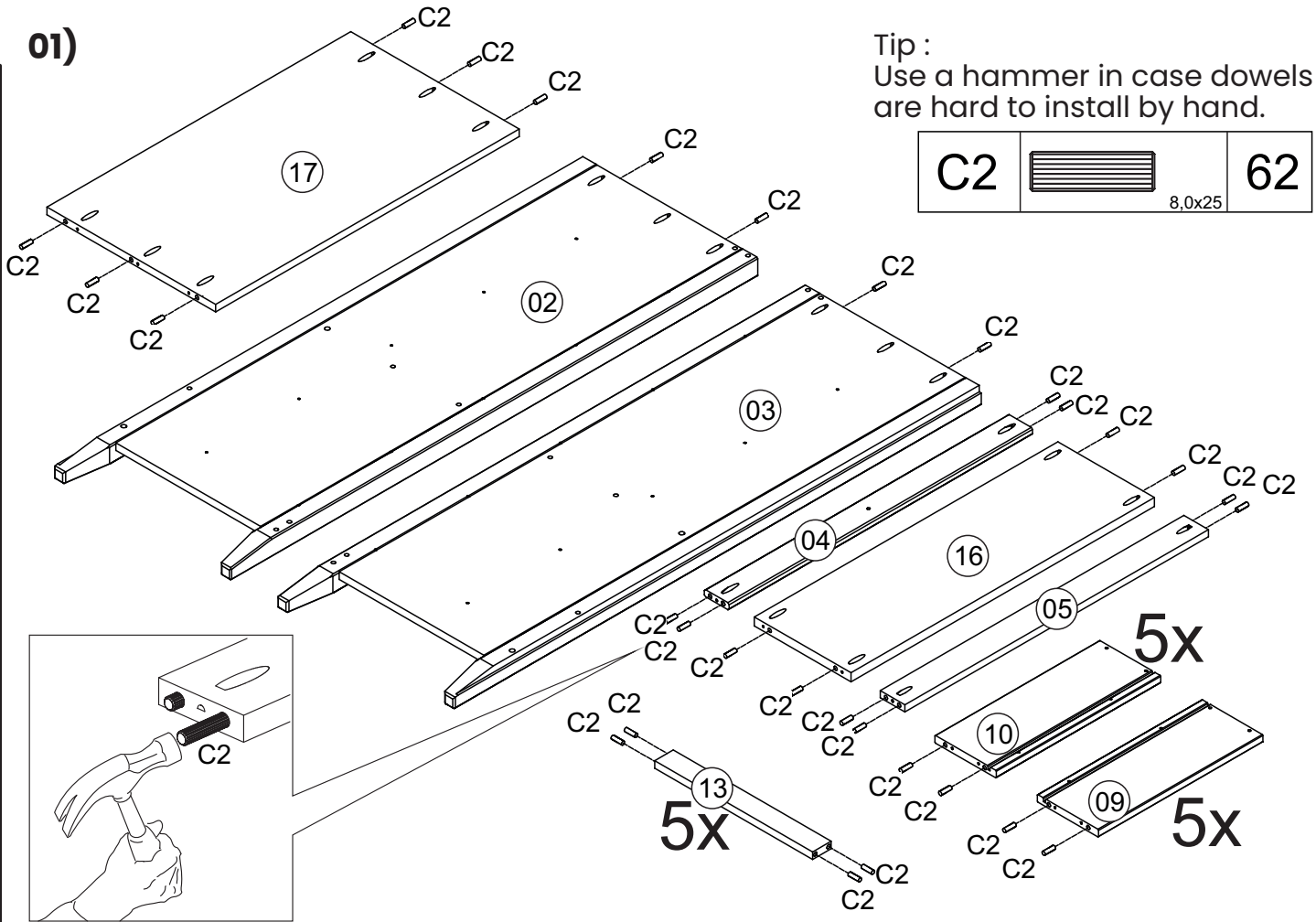
For missing hardware please contact us at grainwoodfurniture.com/help

WARNING:
CHOKING HAZARD
Small parts, not for children.
To be assembled by an adult.




Box A - 1 of 2		
Part #	Description	Qty.
01	Top	1
02	Right side	1
03	Left side	1
04	Upper crosspiece	1
05	Lower crosspiece	1
07	Back panel	2
08	Drawer front	5
09	Drawer right side	5
10	Drawer left side	5
11	Drawer bottom	5
12	Drawer back	5
13	Drawer bottom support	5
15	Profile "H"	1
16	Rear panel	1
17	Stabilizing panel	1
HW	Hardware	1

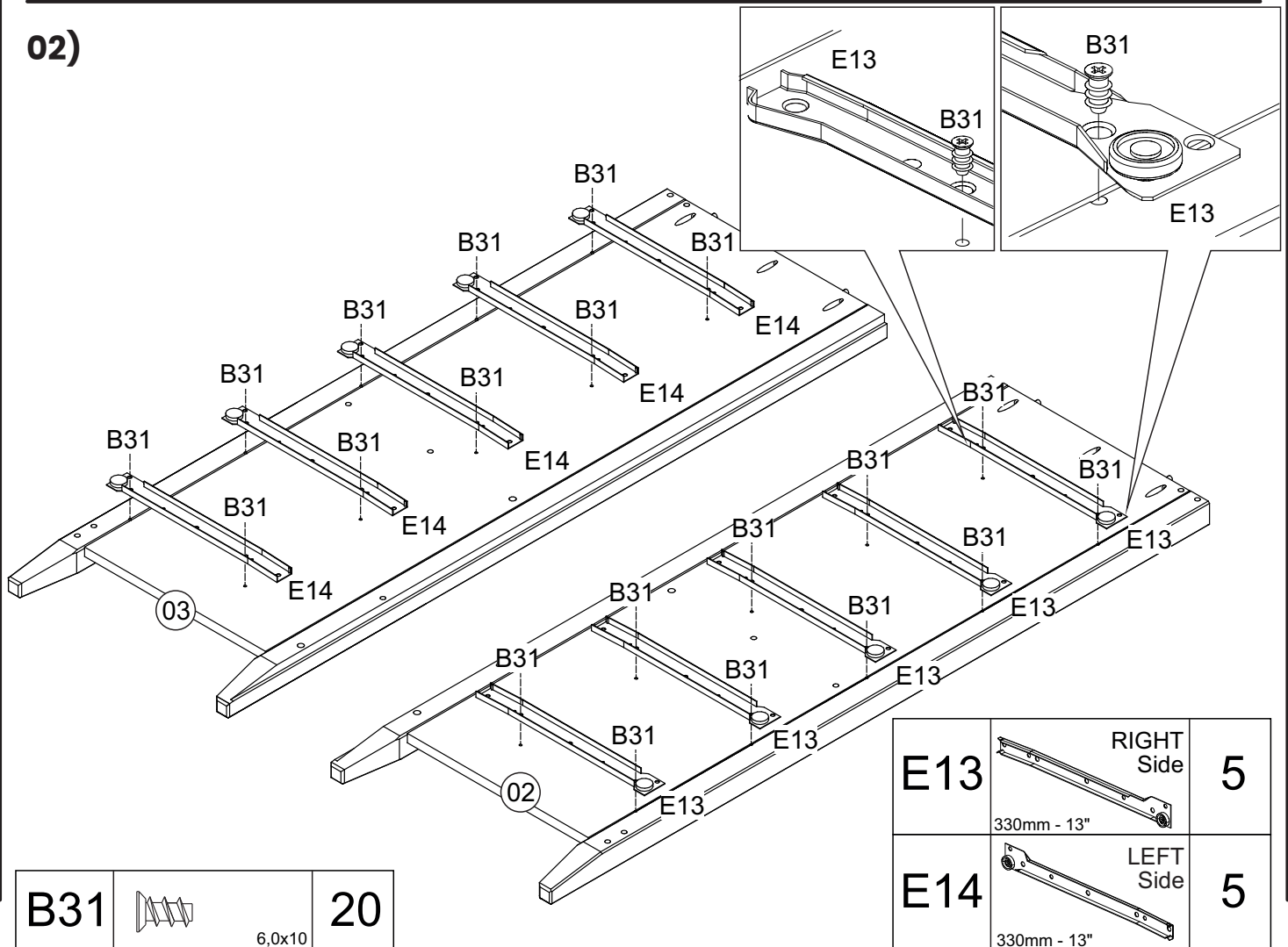
01)



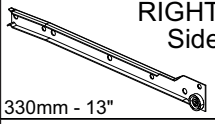
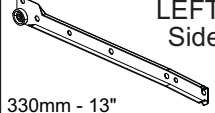
Tip:
Use a hammer in case dowels are hard to install by hand.

C2		62
	8,0x25	

02)

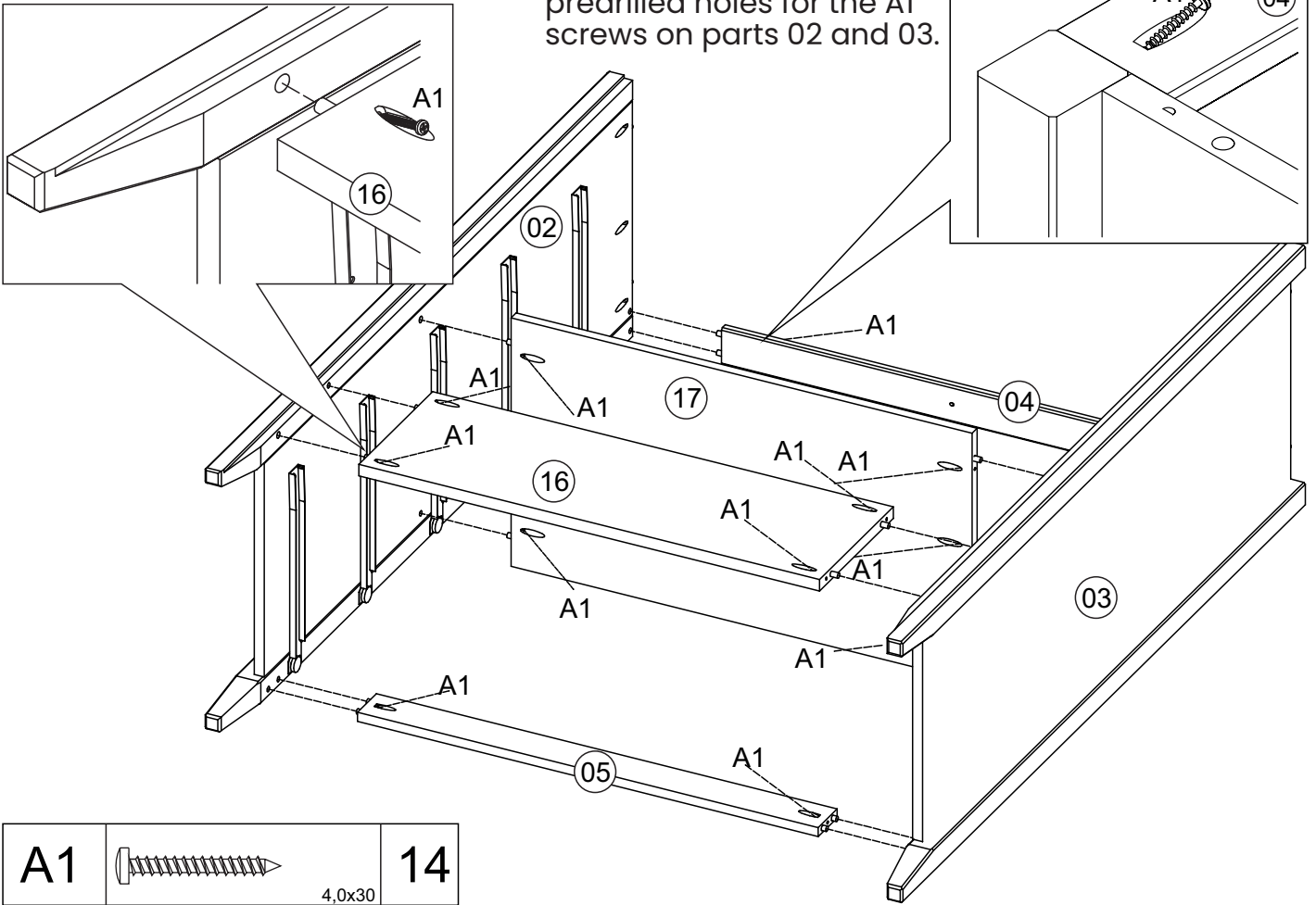


B31		20
	6,0x10	

E13		RIGHT Side	5
	330mm - 13"		
E14		LEFT Side	5
	330mm - 13"		

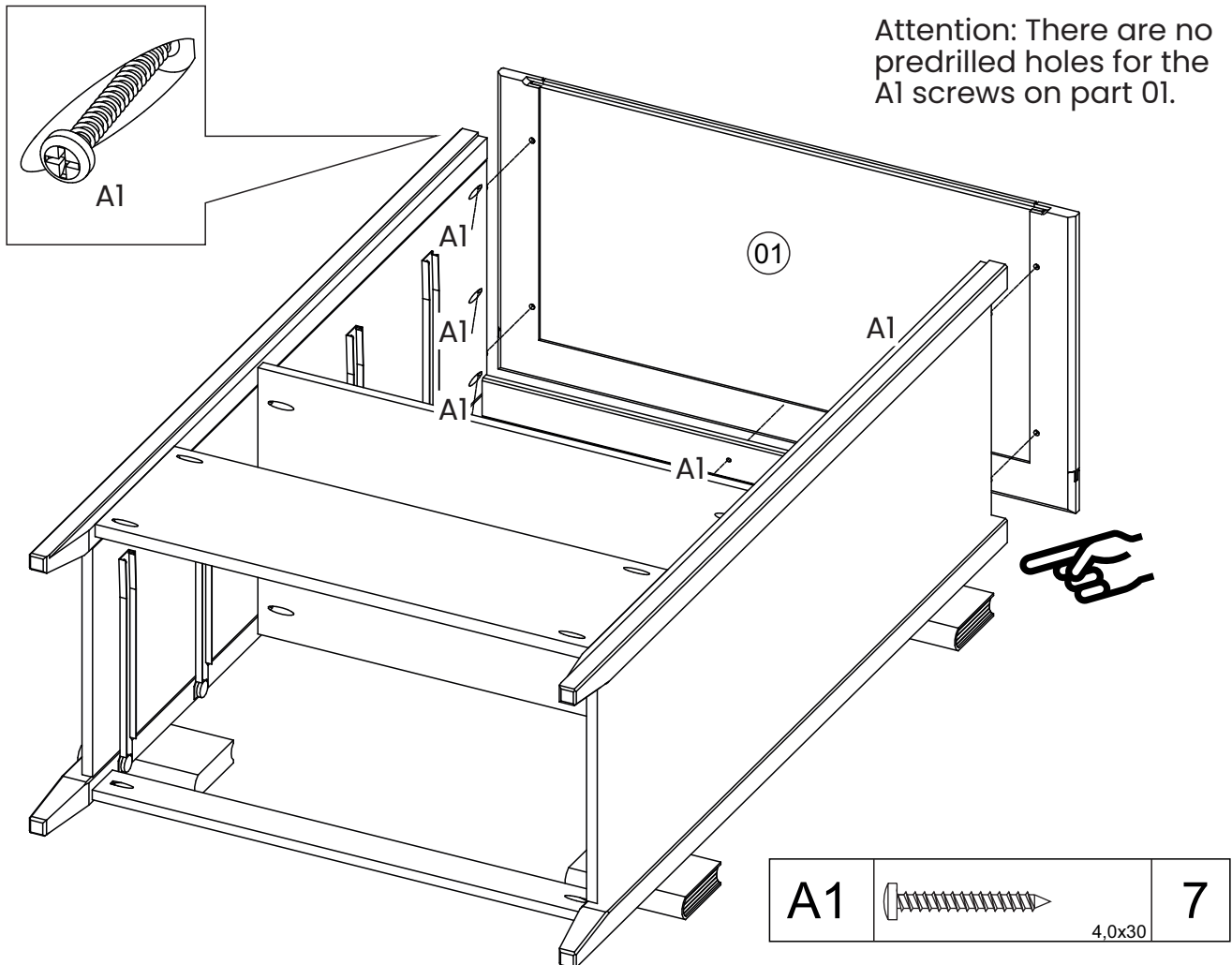
03)

Attention: There are no predrilled holes for the A1 screws on parts 02 and 03.

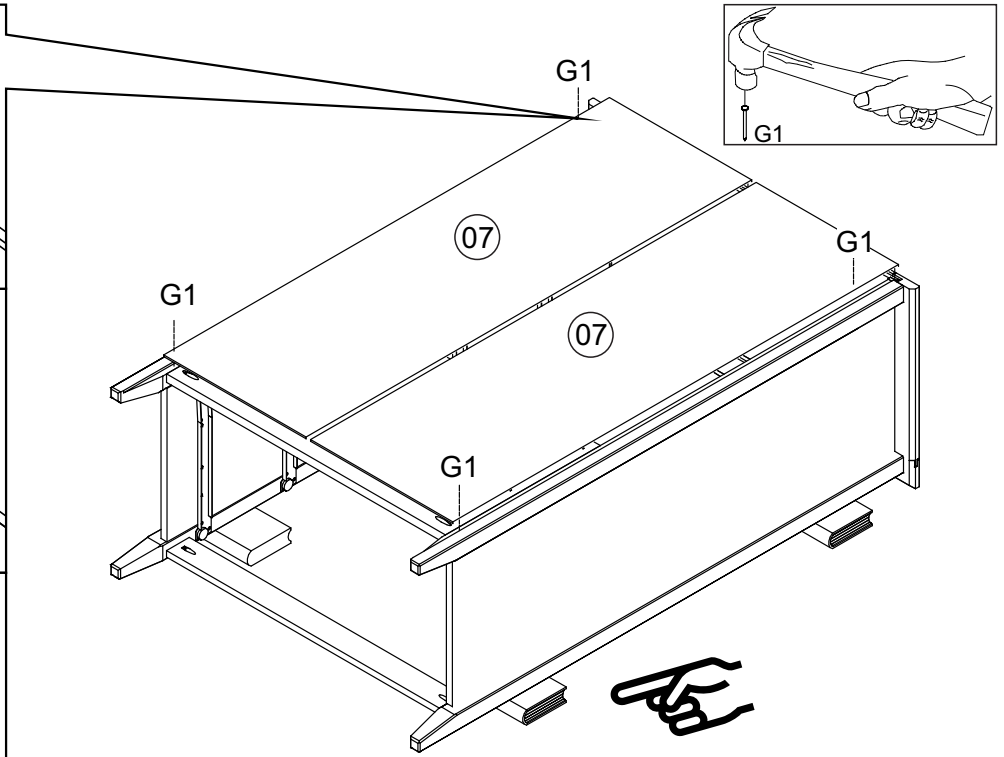
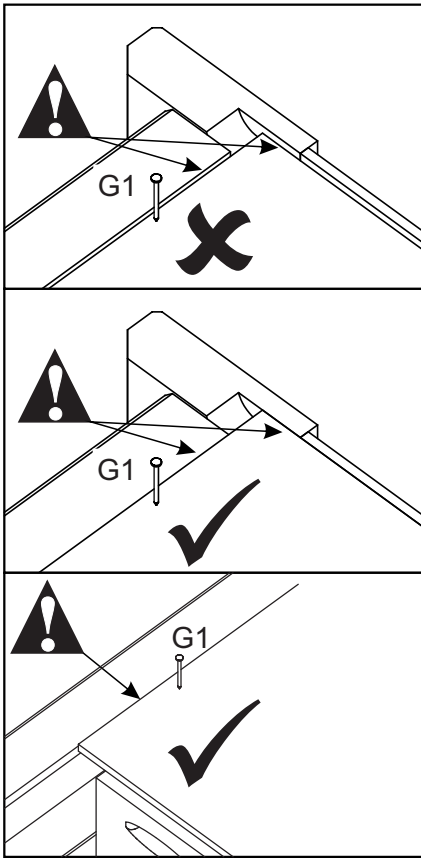



04)

Attention: There are no predrilled holes for the A1 screws on part 01.

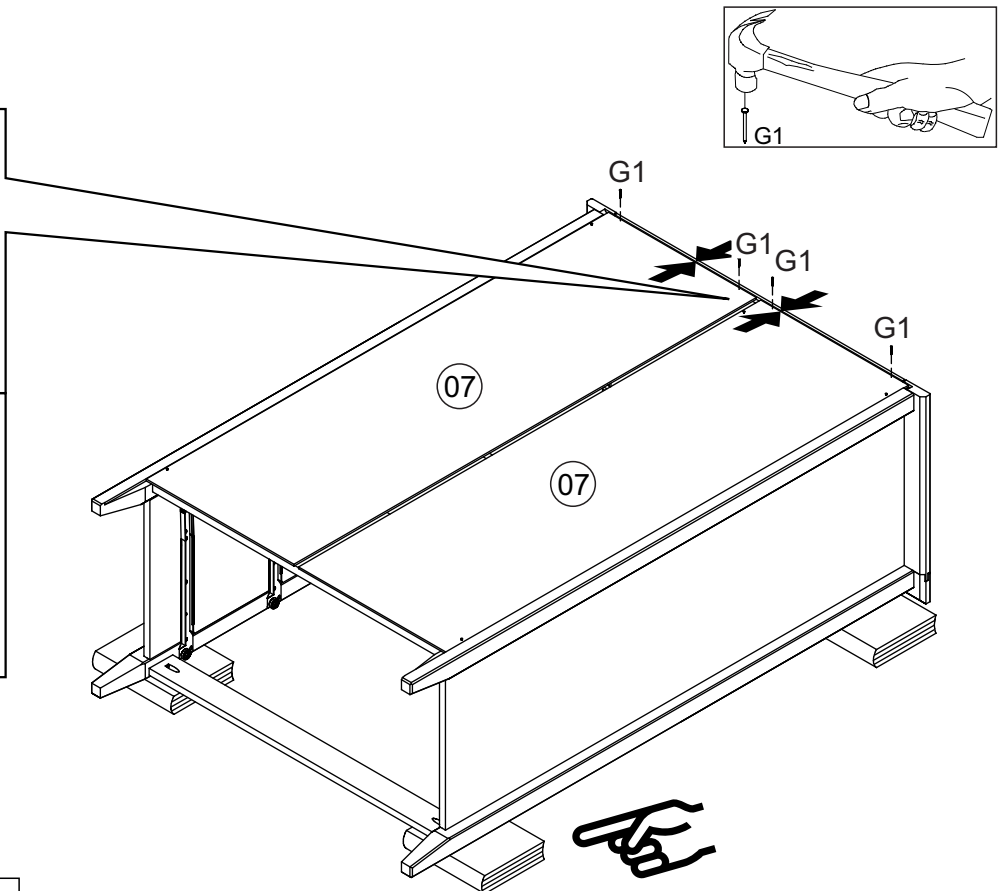
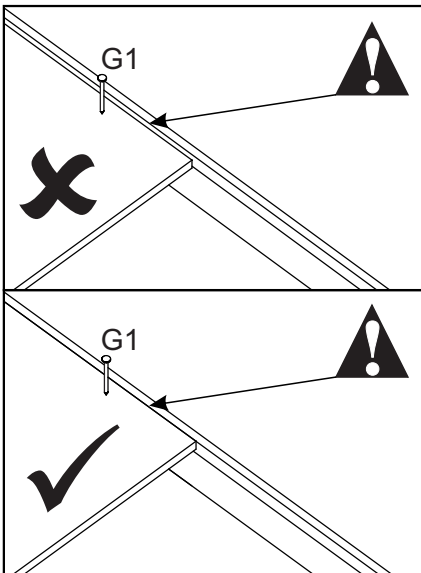



05) Make sure back panels are perfectly aligned with side panels and top and there are NO gaps.



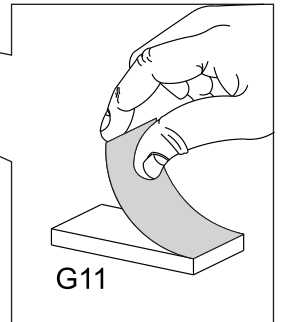
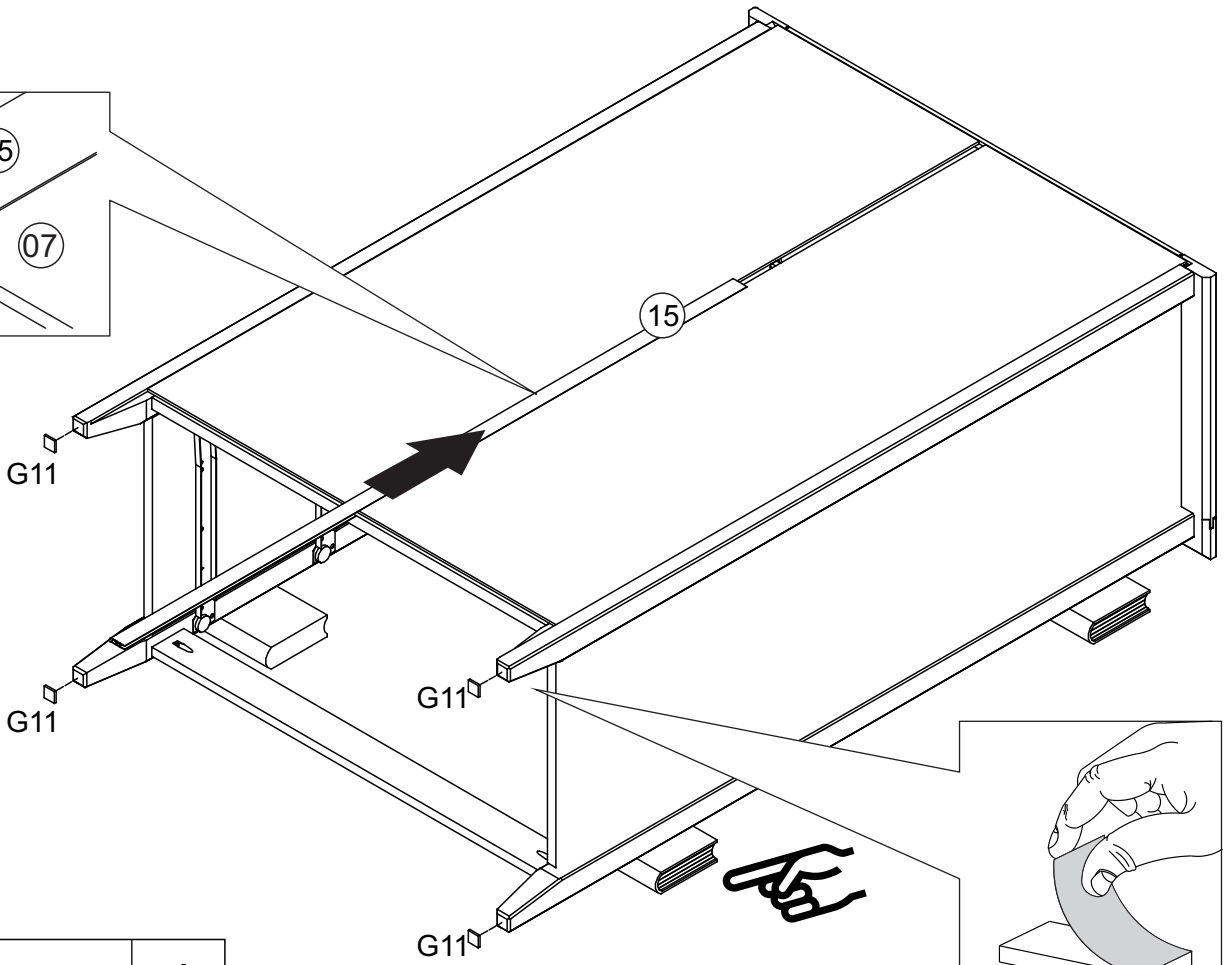
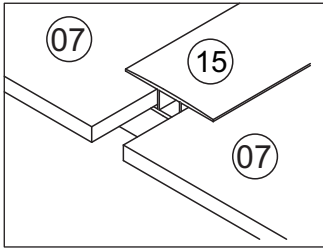
G1		4
		10x10

06)

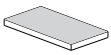


G1		4
		10x10

07)

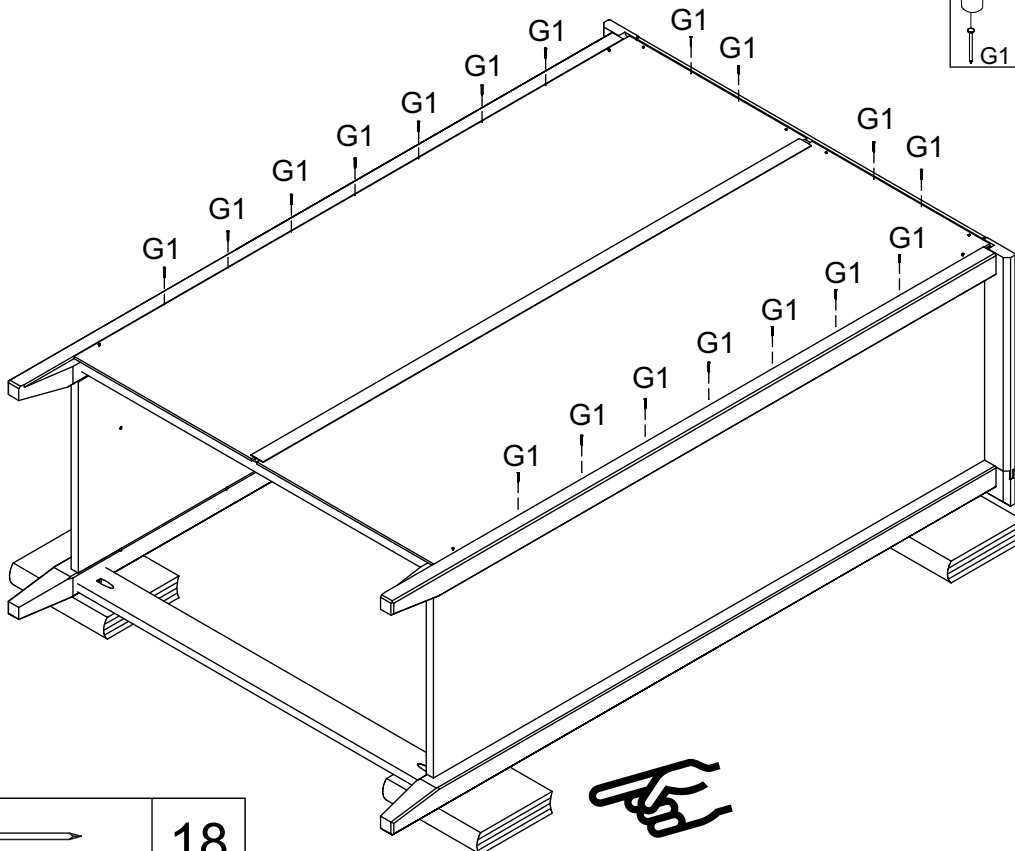
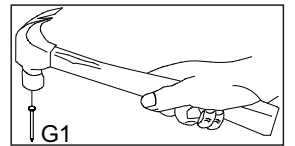


G11



4

08)



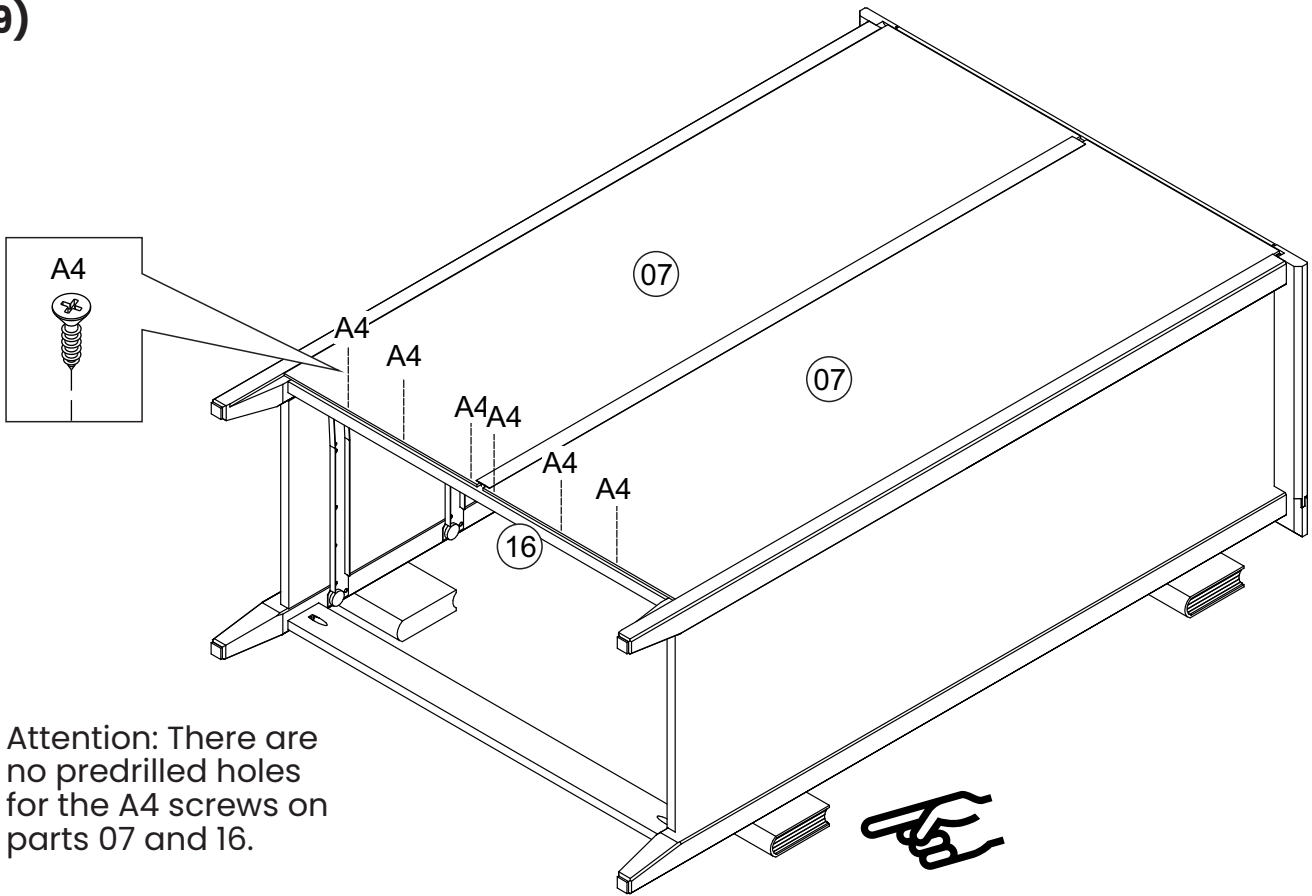
G1




10x10

18

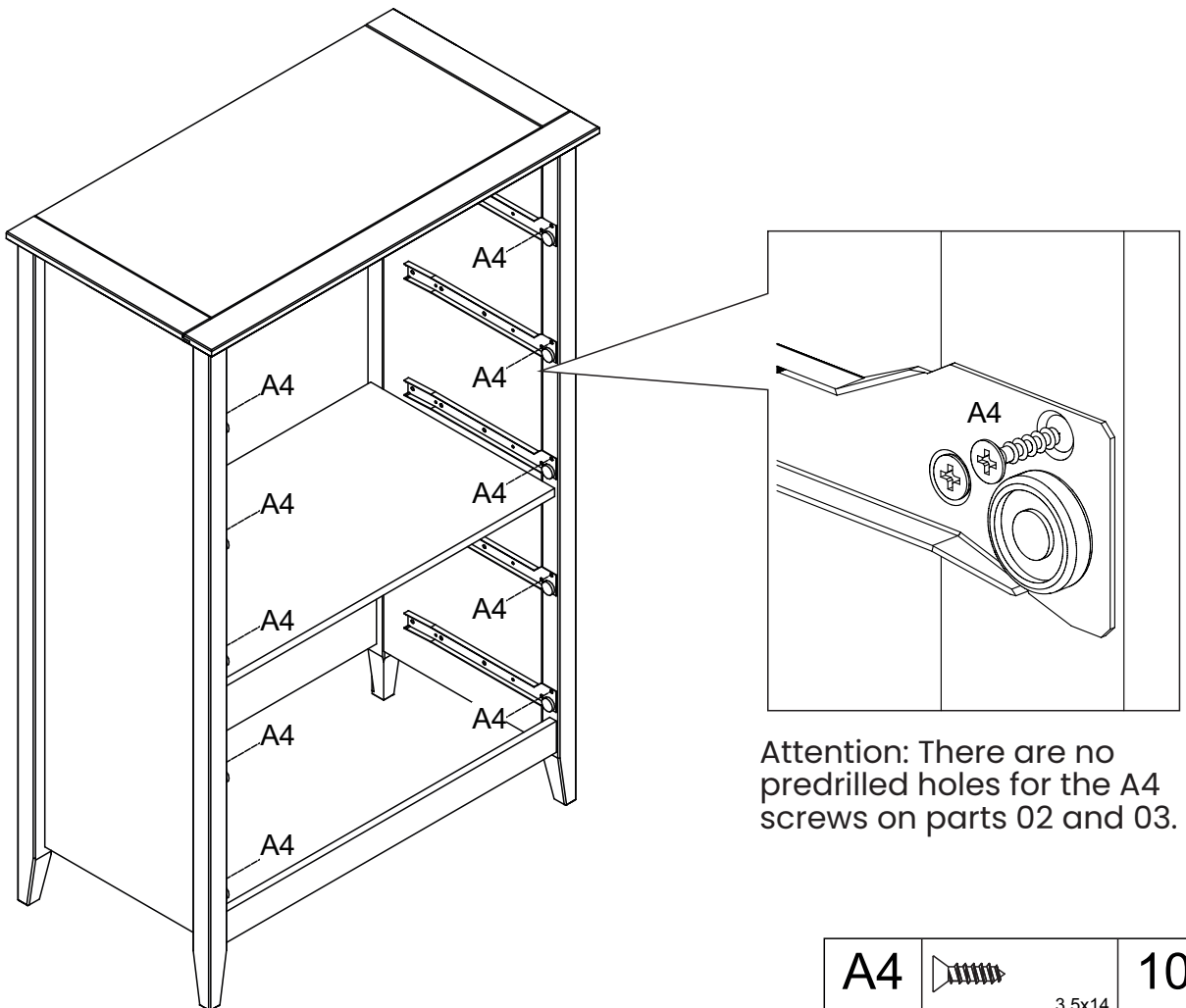
09)



Attention: There are no predrilled holes for the A4 screws on parts 07 and 16.

A4		3,5x14	6
----	---	--------	---

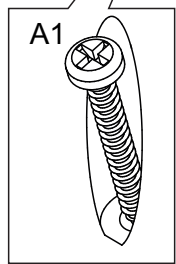
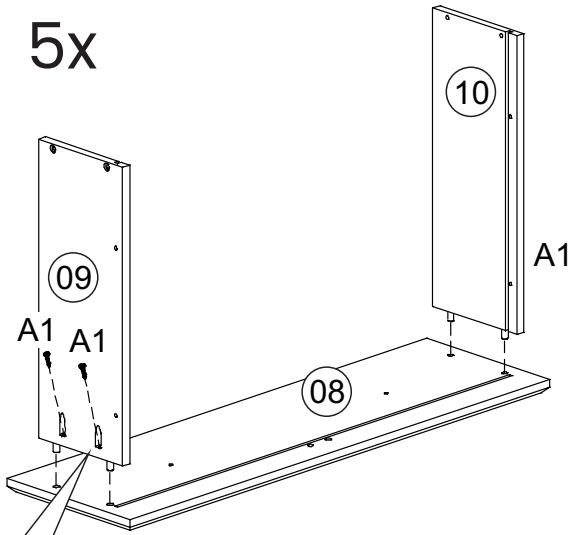
10)



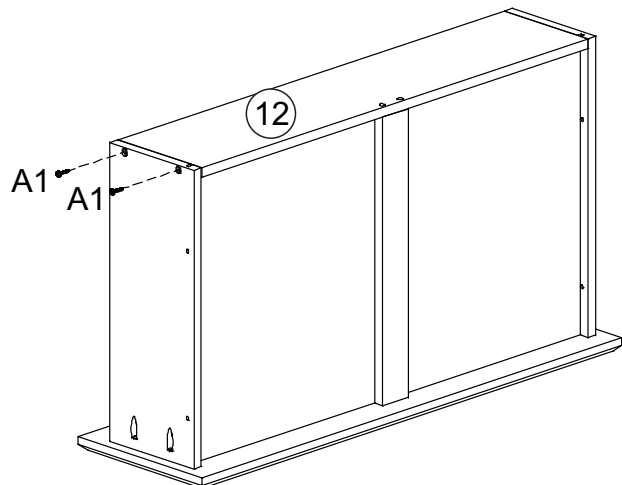
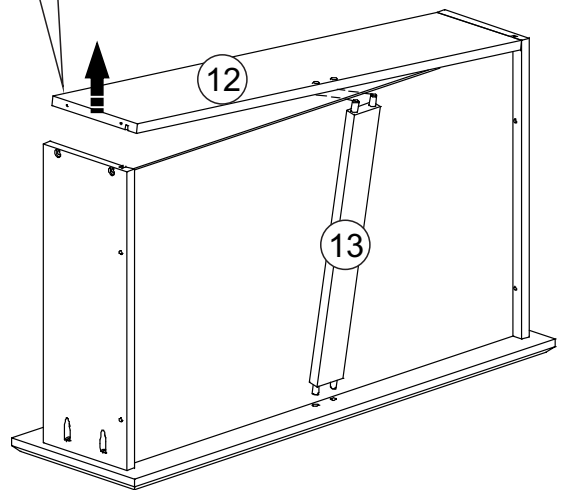
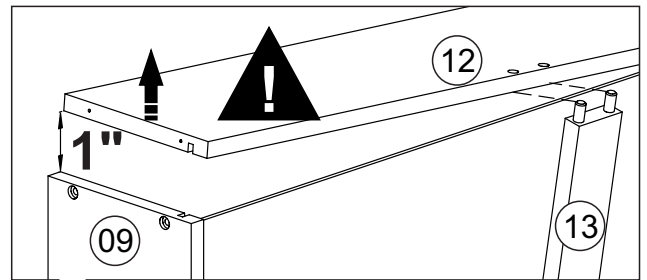
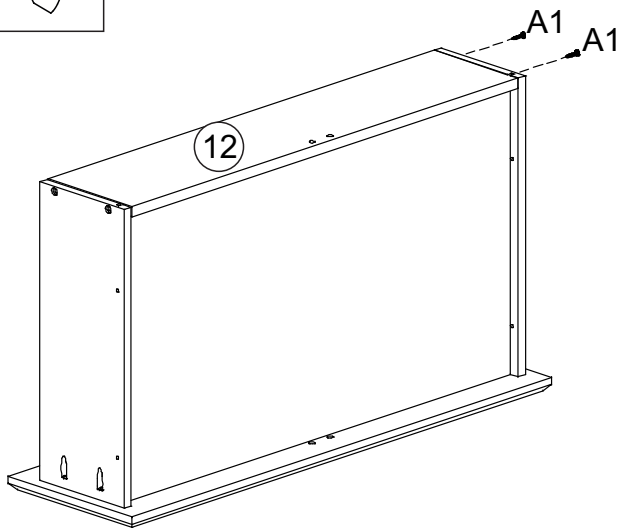
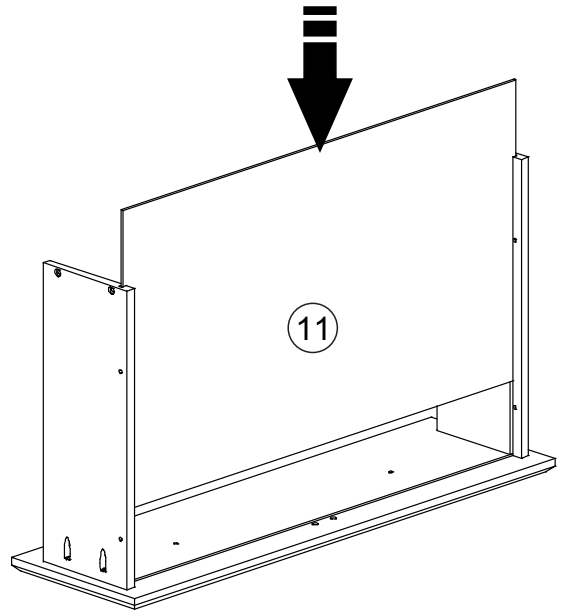
Attention: There are no predrilled holes for the A4 screws on parts 02 and 03.


A4		3,5x14	10
----	---	--------	----

11) 5x

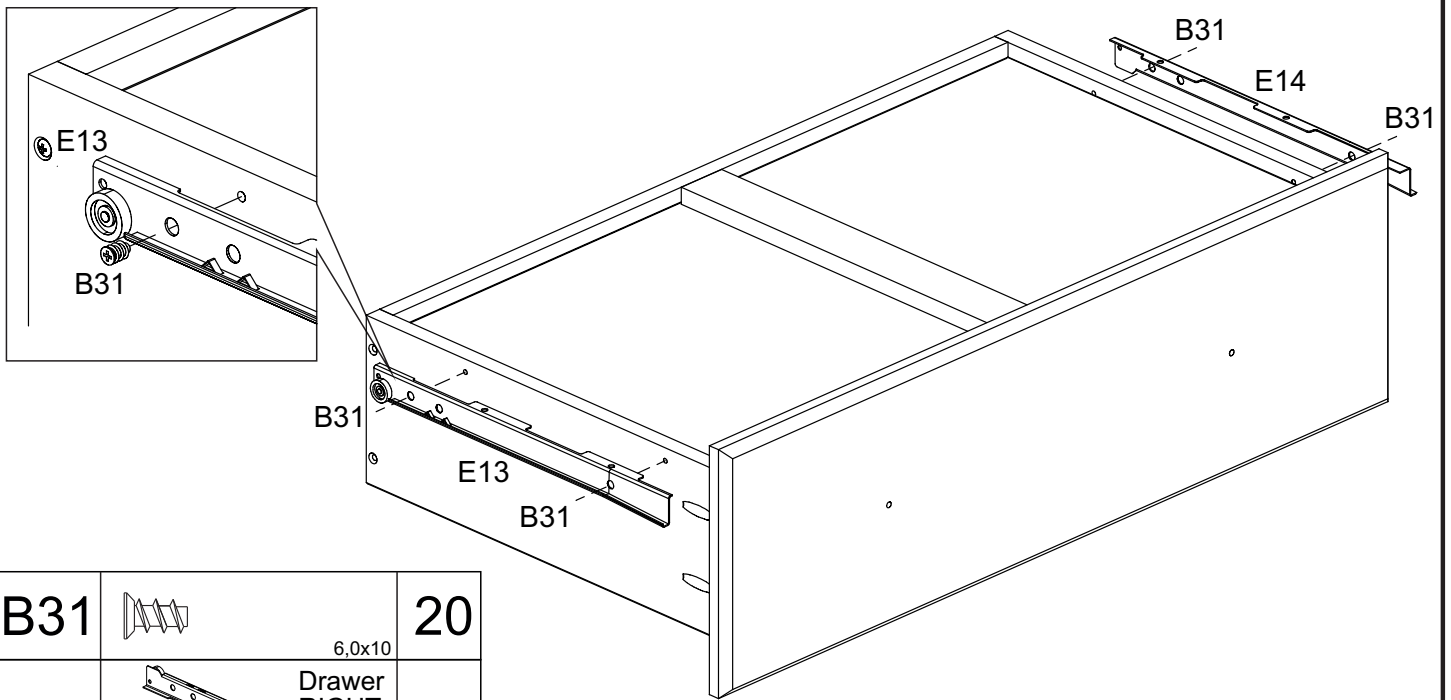



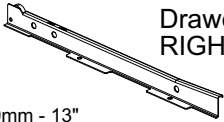
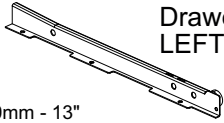
Attention: There are no predrilled holes for the A1 screws on part 08.



A1		40
		4,0x30

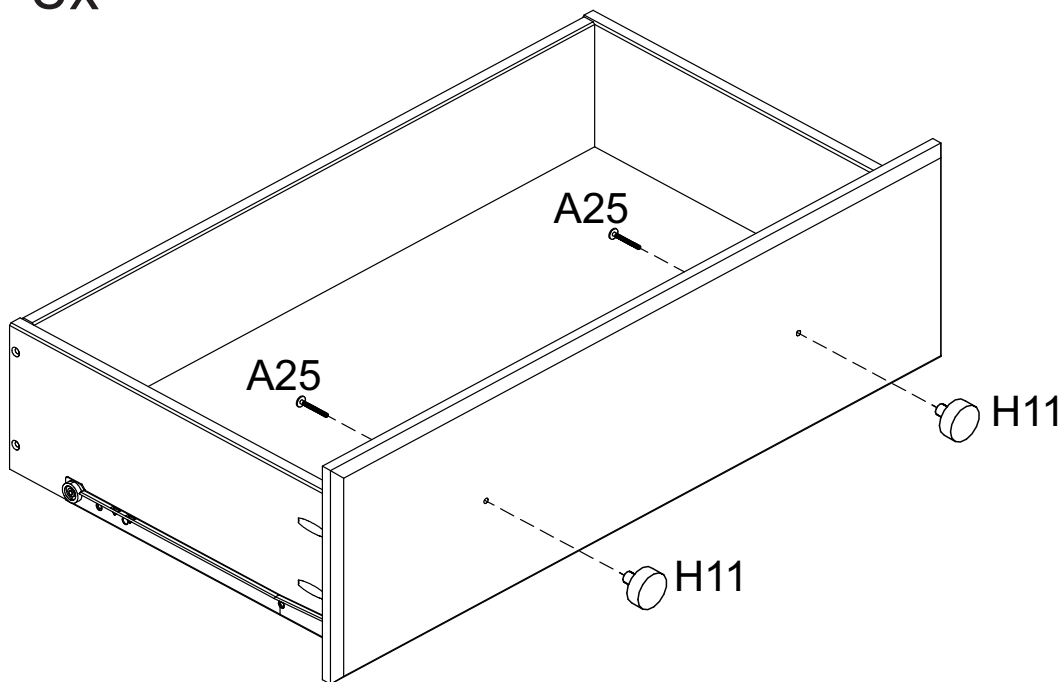
12) Flip the assembled drawer upside down to install glides.

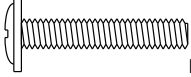



B31	 6,0x10	20
E13	 330mm - 13"	5
E14	 330mm - 13"	5

5x

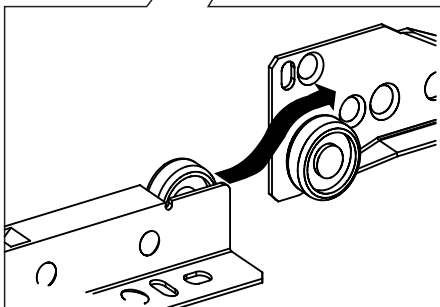
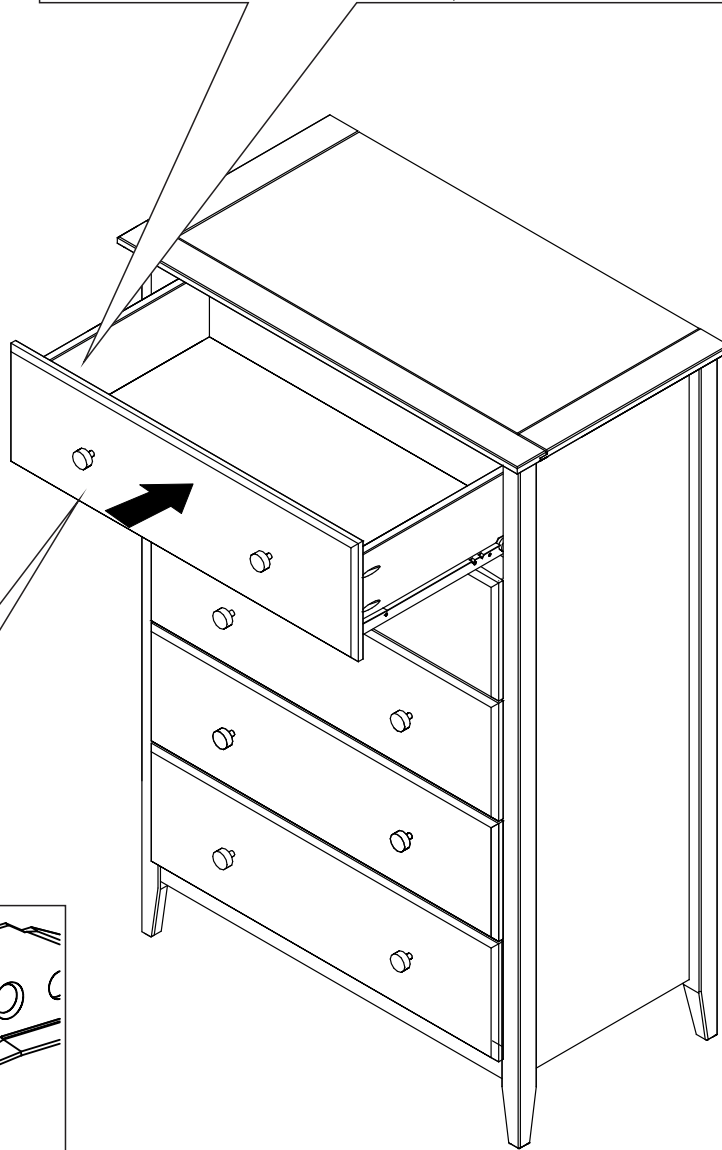
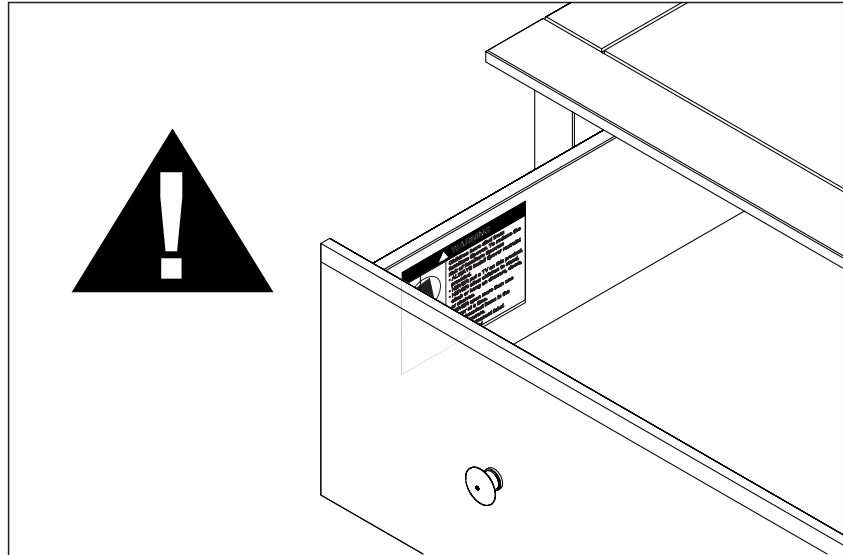
13) 5x



A25	 M4 x 25	10
H11		10

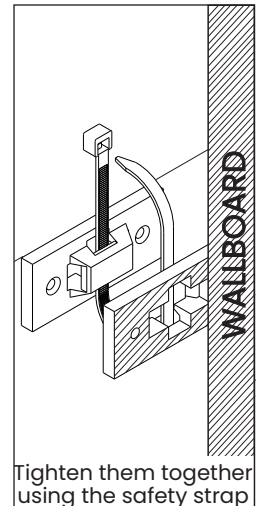
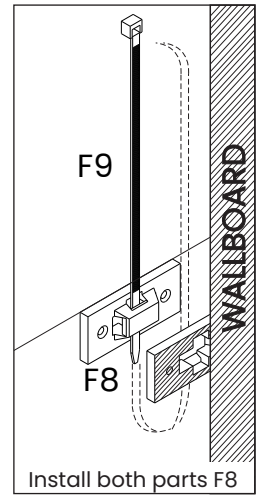
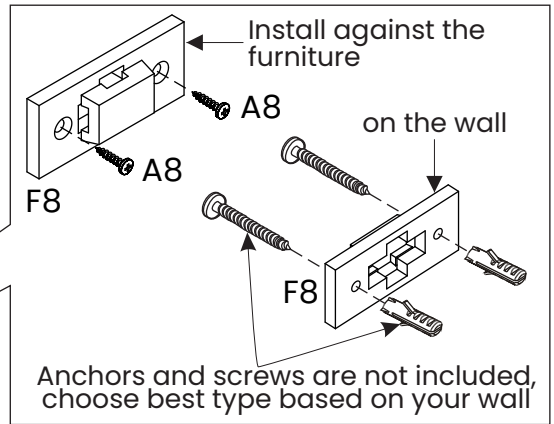
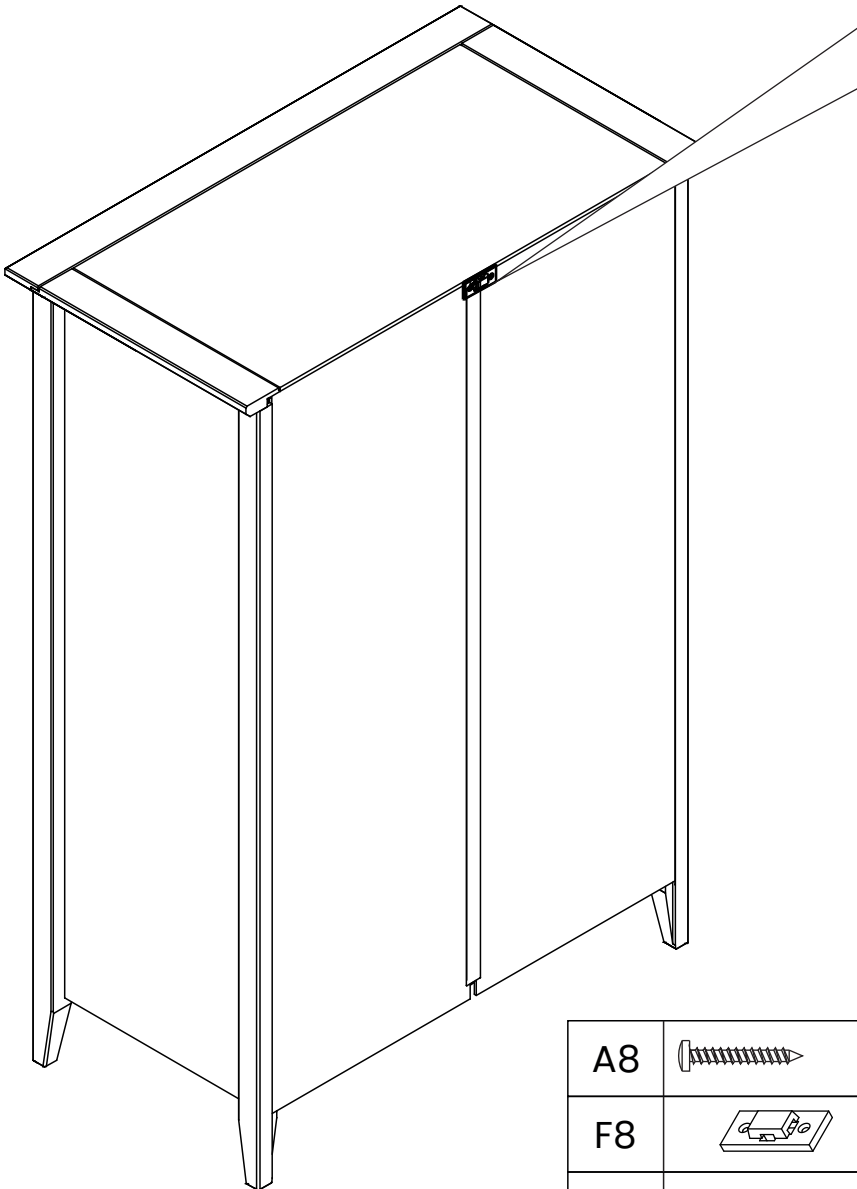
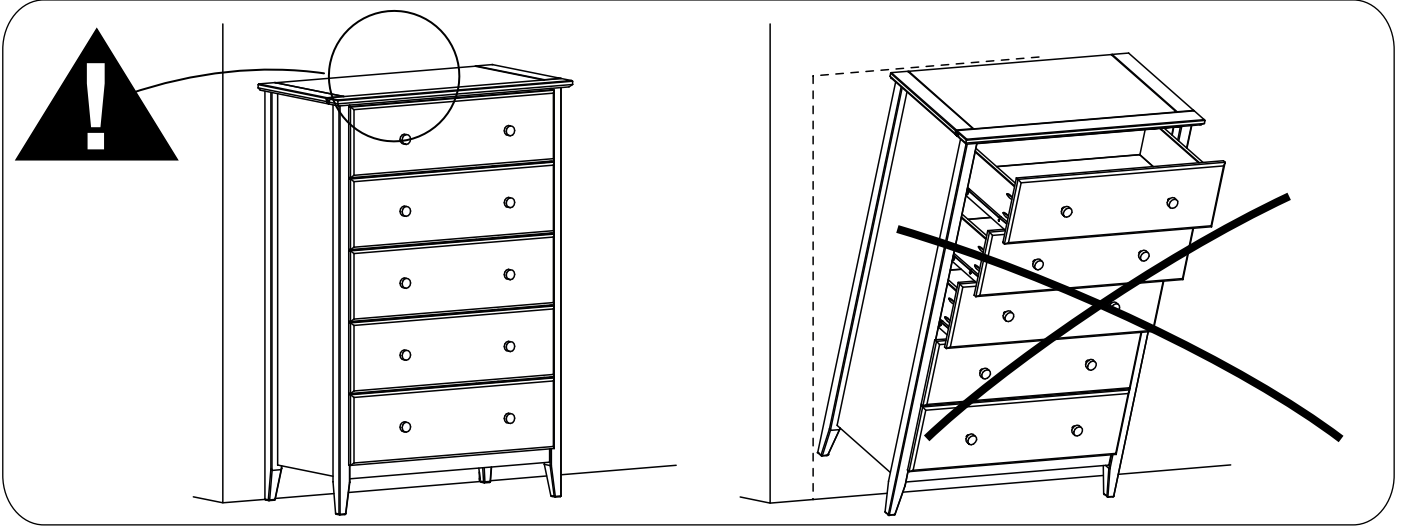
14)


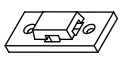

Place the labeled drawer on the top position



15)

ANTI-TIPPING RESTRAINT KIT



A8		3,0x20	2
F8			2
F9			1